



US00D527373S

(12) **United States Design Patent**
Takei

(10) **Patent No.:** **US D527,373 S**

(45) **Date of Patent:** **** Aug. 29, 2006**

(54) **SPEAKER**

(75) Inventor: **Kunihiro Takei**, Hamamatsu (JP)

(73) Assignee: **Yamaha Corporation**, Shizuoka (JP)

(**) Term: **14 Years**

(21) Appl. No.: **29/230,799**

(22) Filed: **May 27, 2005**

(30) **Foreign Application Priority Data**

Jan. 19, 2005 (JP) 2005-001258

(51) **LOC (8) Cl.** **14-01**

(52) **U.S. Cl.** **D14/214**

(58) **Field of Classification Search** D14/204,
D14/207, 209-216, 356; 181/143-144, 147-148,
181/150, 157, 198-199, 151, 153; 381/300-302,
381/306, 333, 345, 361-364, 386-388, 332,
381/336

See application file for complete search history.

(56) **References Cited**

U.S. PATENT DOCUMENTS

D276,518 S * 11/1984 Clemans D14/214

4,805,729 A * 2/1989 Wascom 181/144

D398,008 S * 9/1998 Yamakawa et al. D14/215

D419,158 S * 1/2000 Mackie et al. D14/214

D439,238 S * 3/2001 Mackie et al. D14/214

D468,725 S * 1/2003 Nugent et al. D14/214

D484,115 S * 12/2003 Nishii et al. D14/215

* cited by examiner

Primary Examiner—Nanda Bondade

(74) *Attorney, Agent, or Firm*—Sughrue Mion, PLLC

(57) **CLAIM**

The ornamental design for a speaker, as shown.

DESCRIPTION

FIG. 1 is a perspective view of the top, front and right side of a speaker showing my new design;

FIG. 2 is a front elevational view thereof;

FIG. 3 is a right side elevational view thereof;

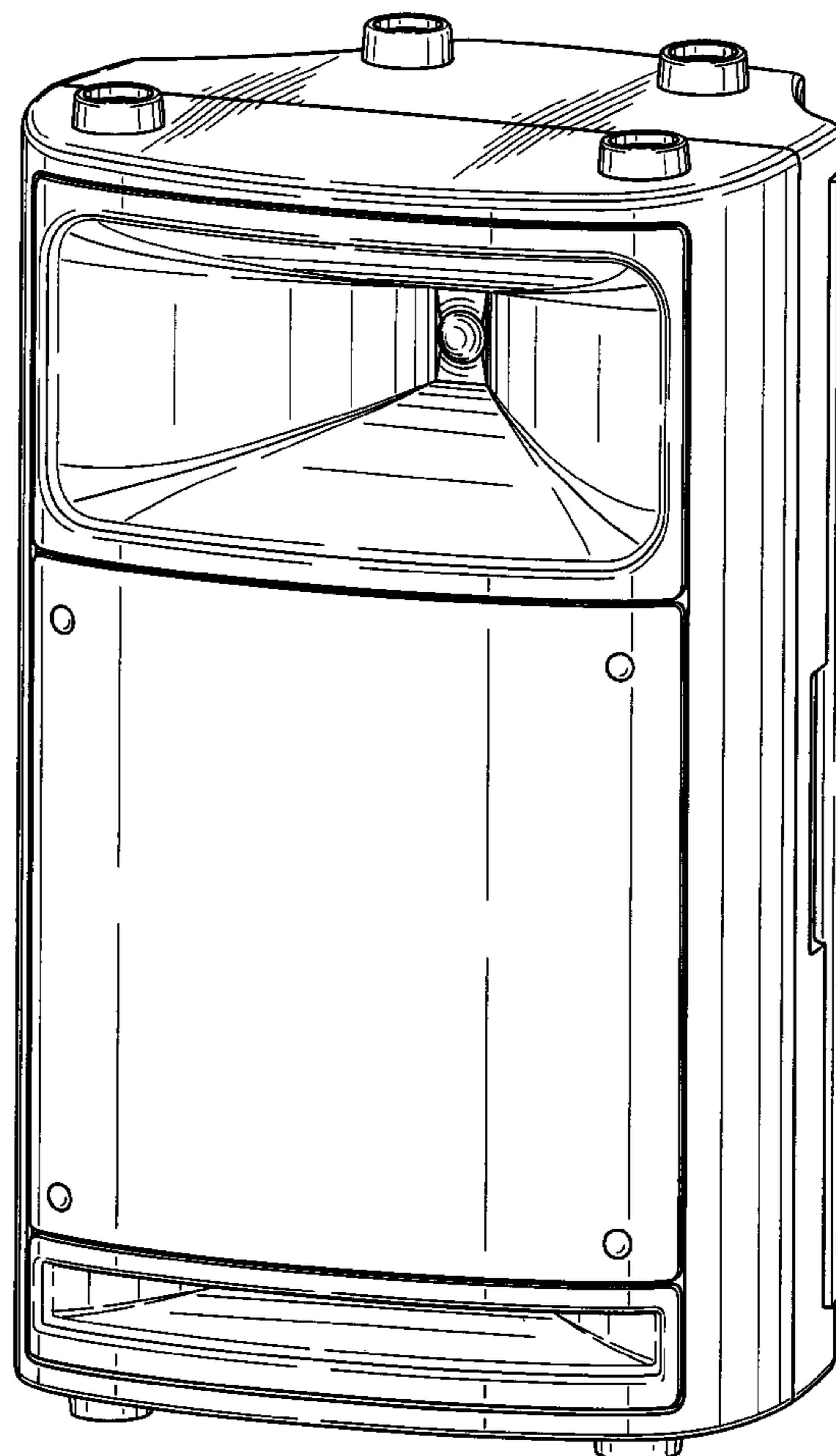
FIG. 4 is a left side elevational view thereof;

FIG. 5 is a top plan view thereof;

FIG. 6 is a bottom plan view thereof; and,

FIG. 7 is a rear elevational view thereof.

1 Claim, 6 Drawing Sheets



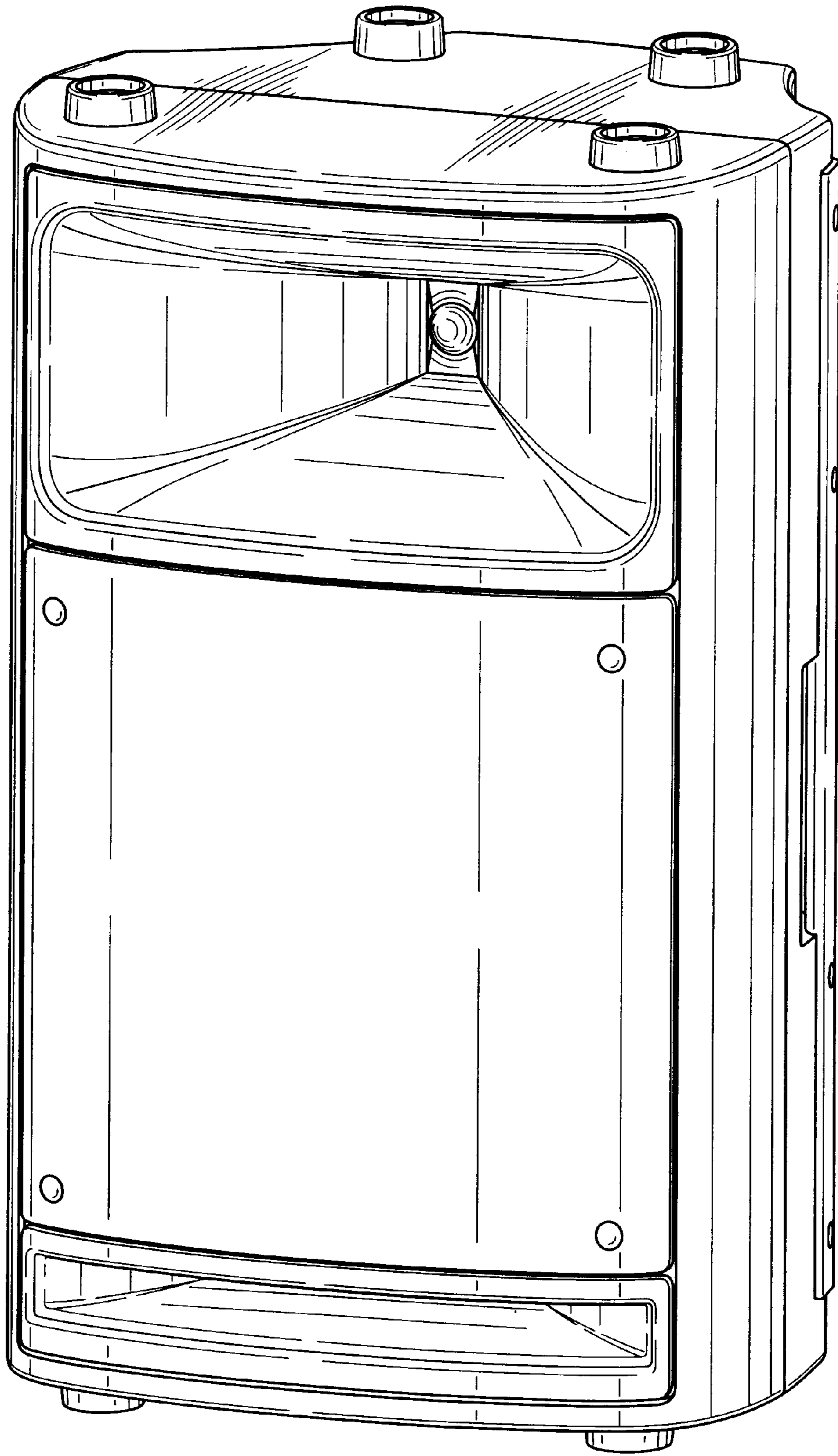


FIG. 1

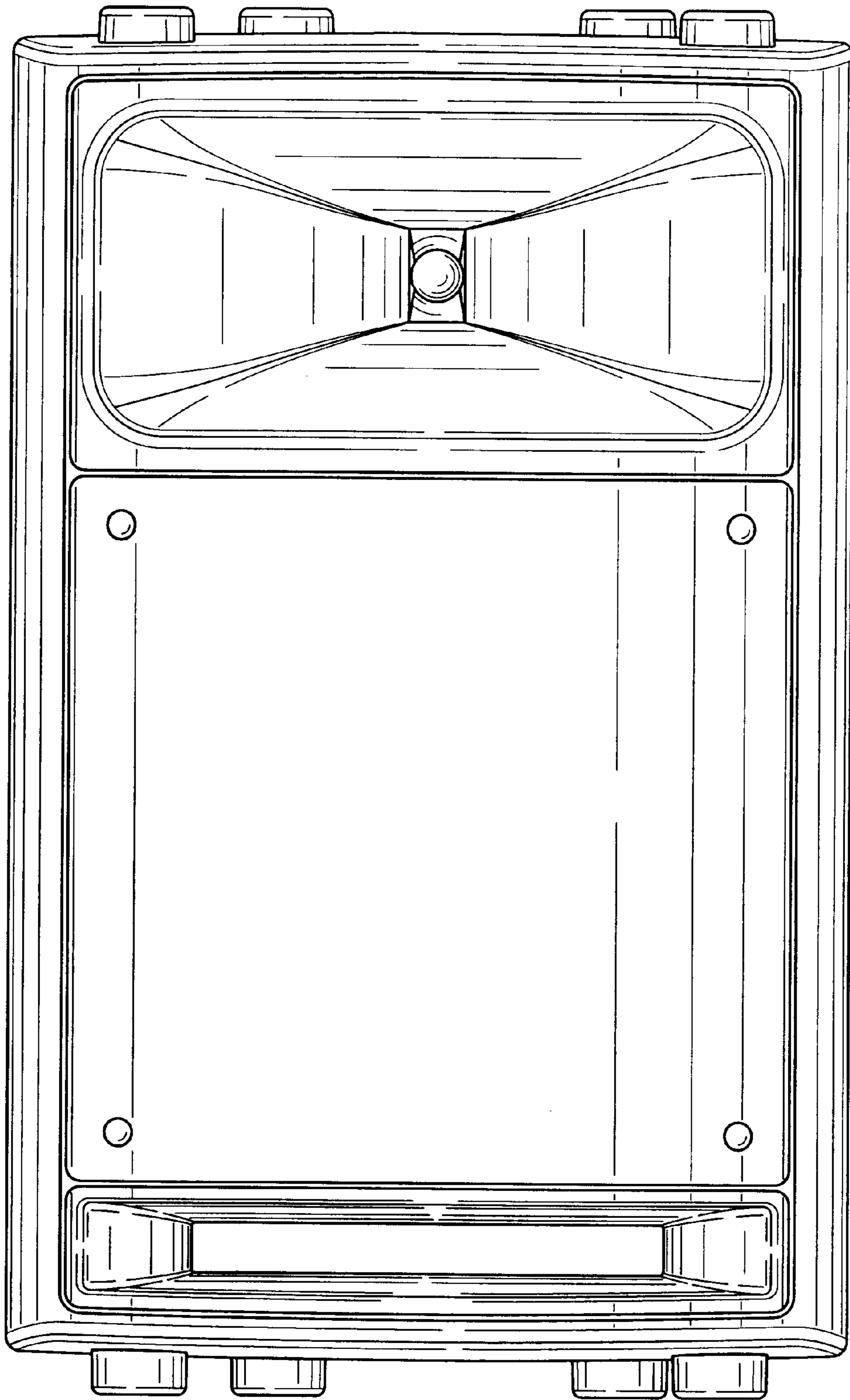


FIG. 2

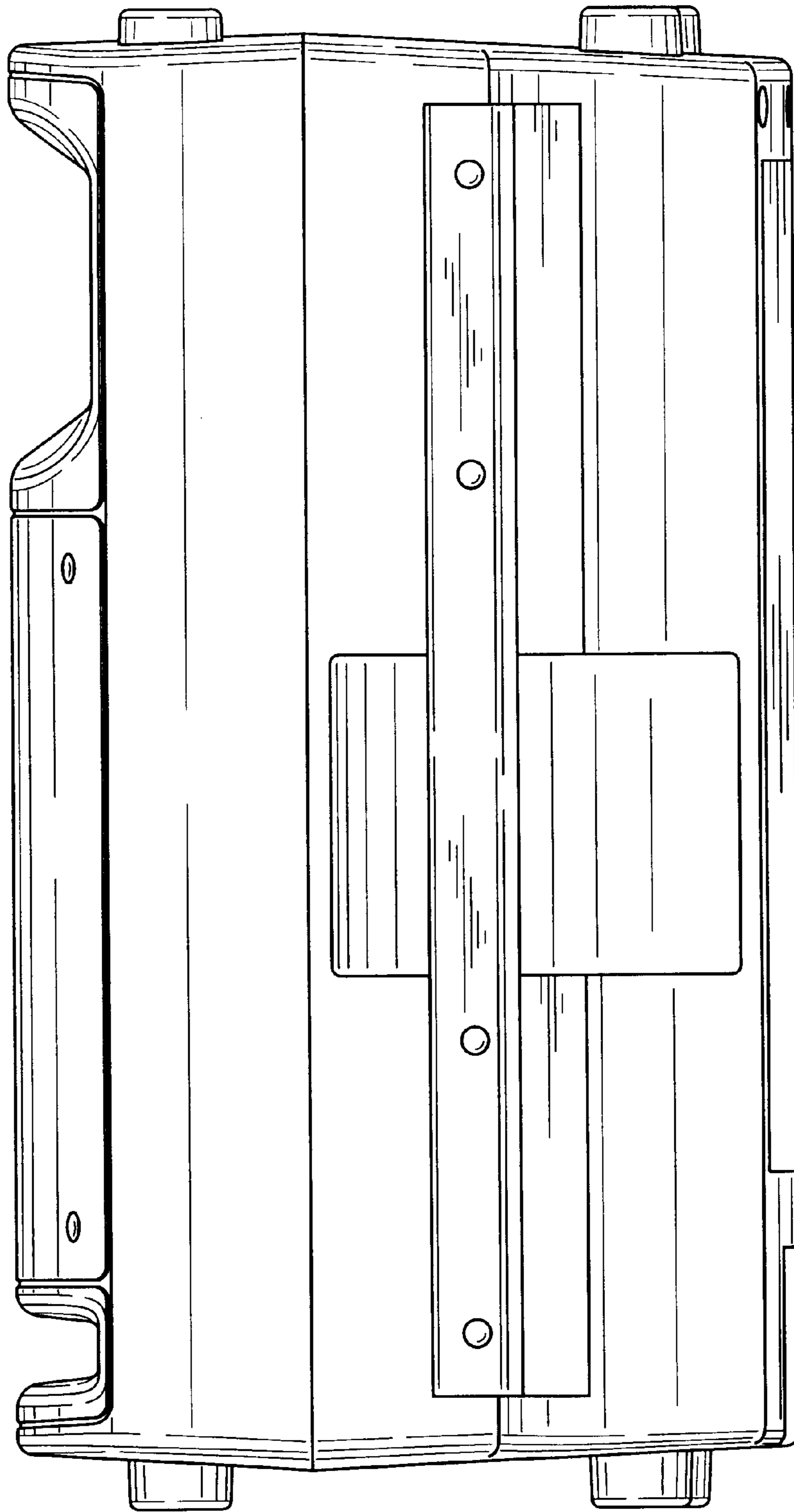


FIG. 3

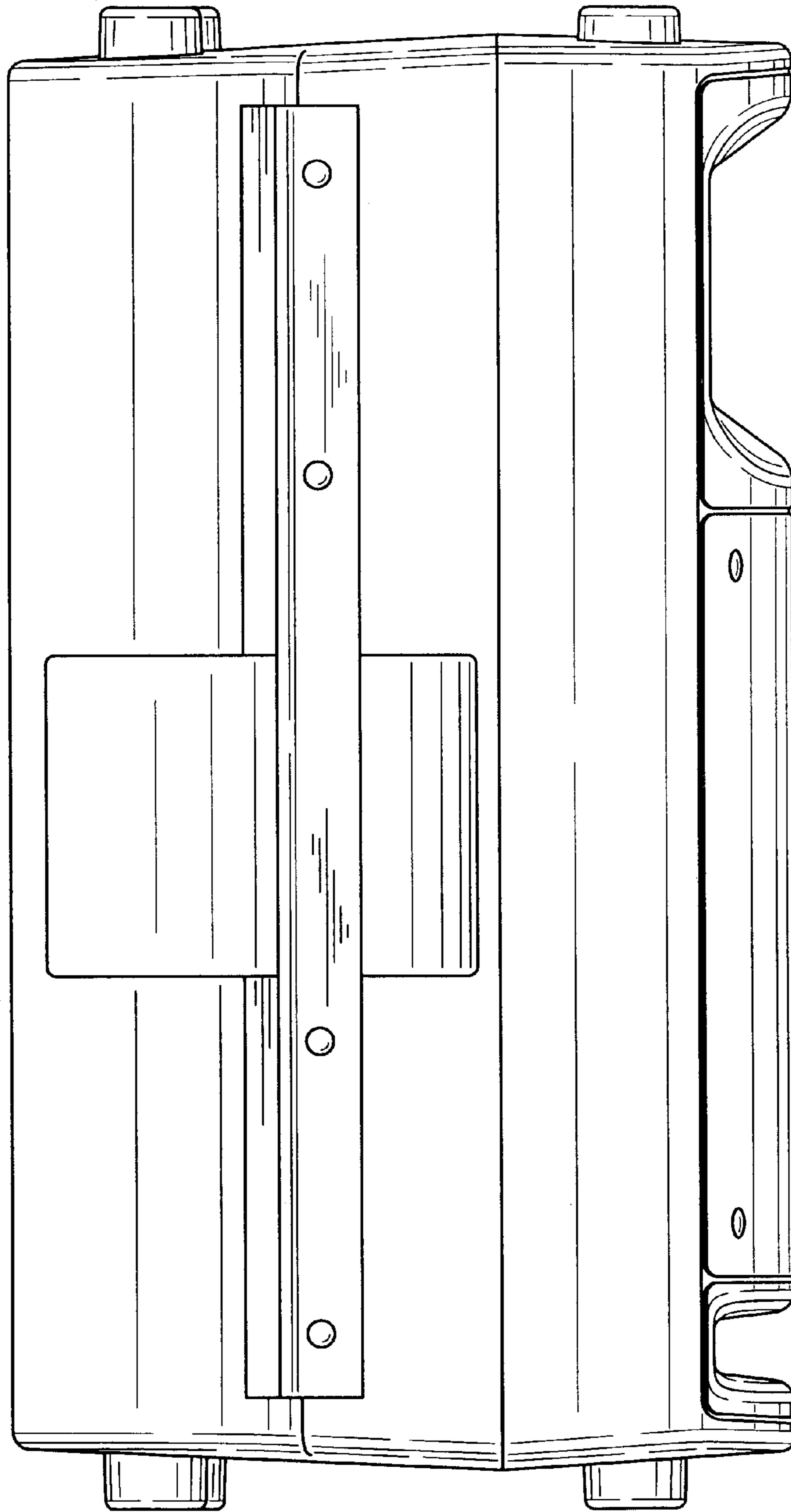


FIG. 4

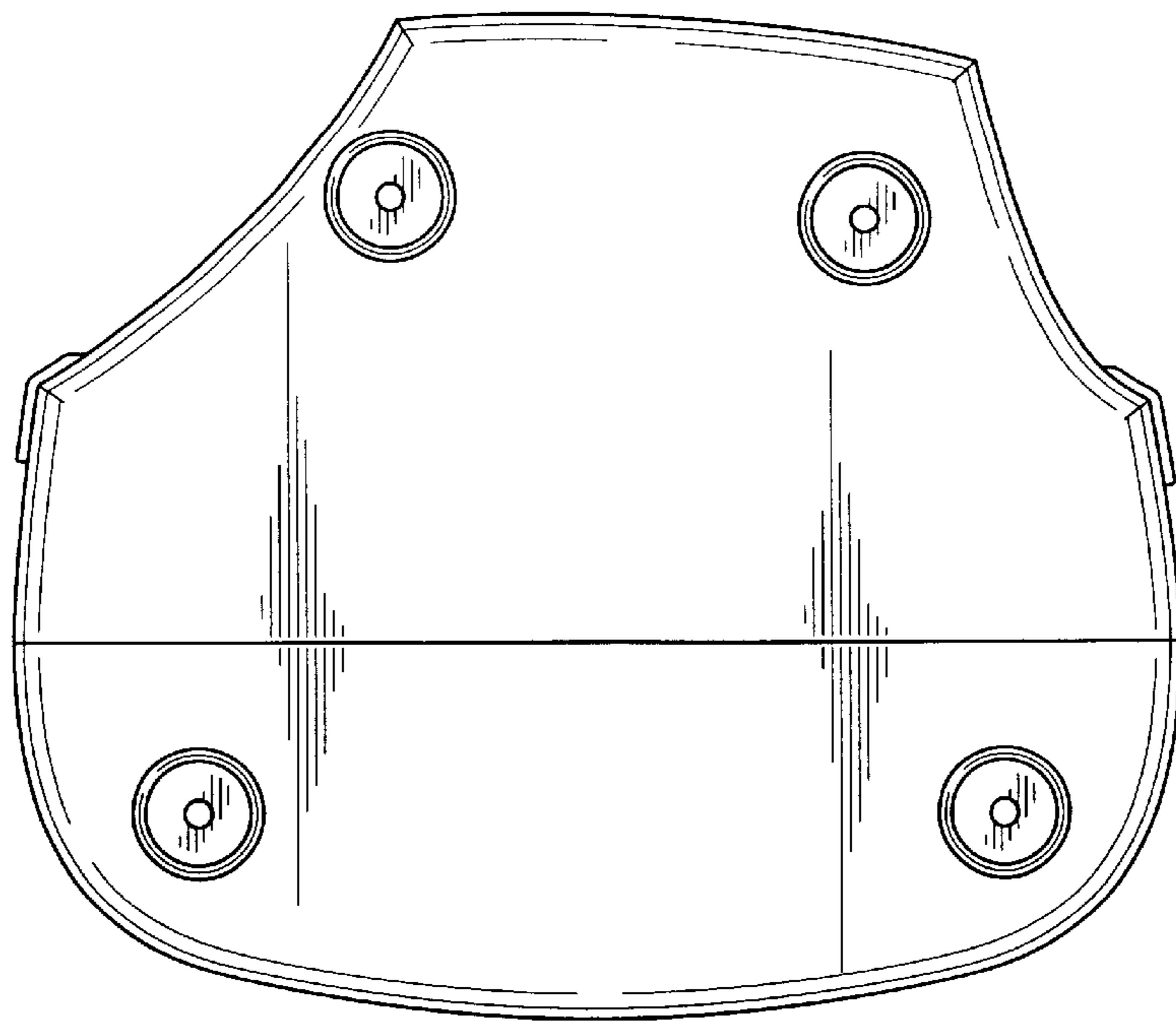


FIG. 5

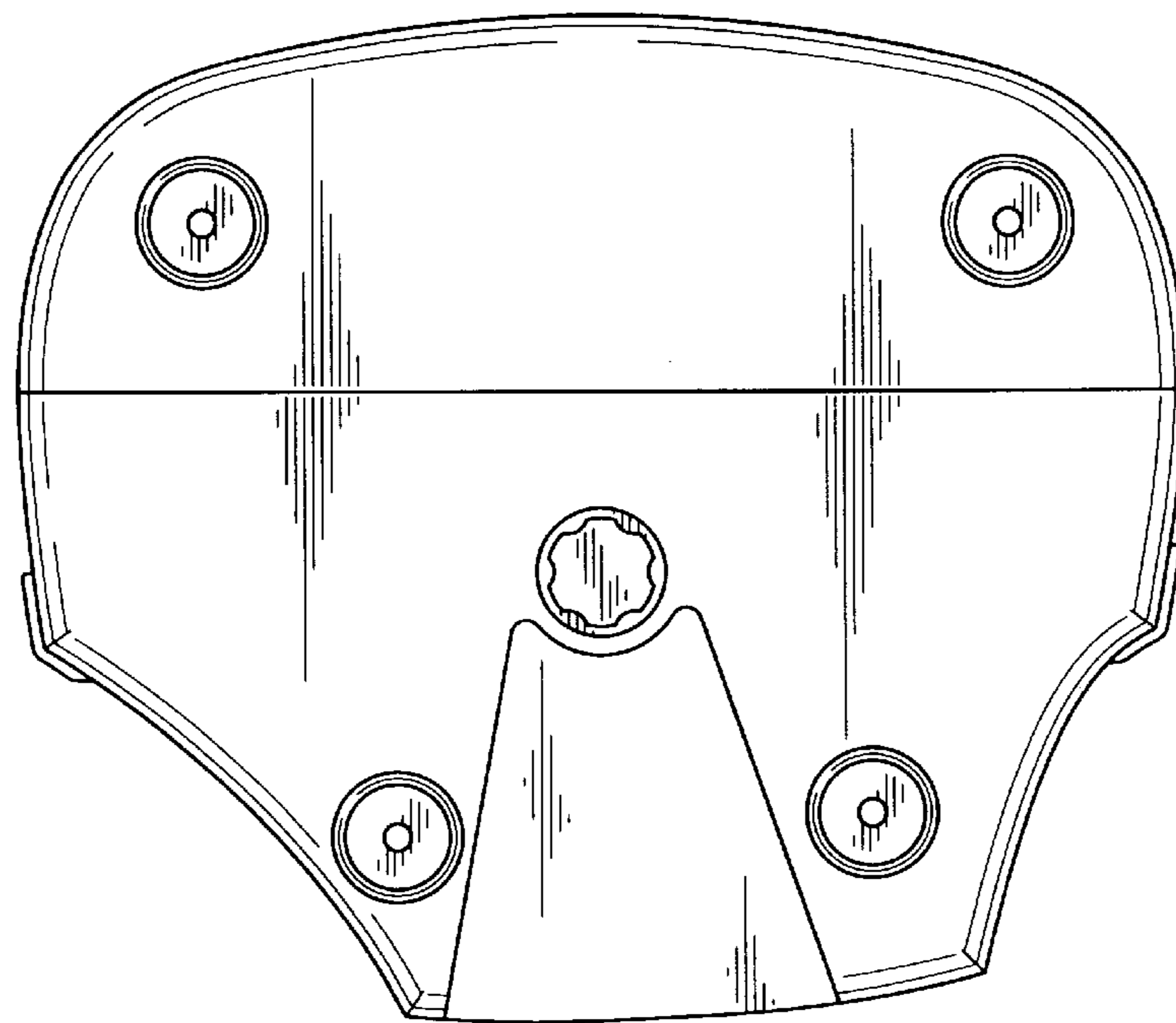


FIG. 6

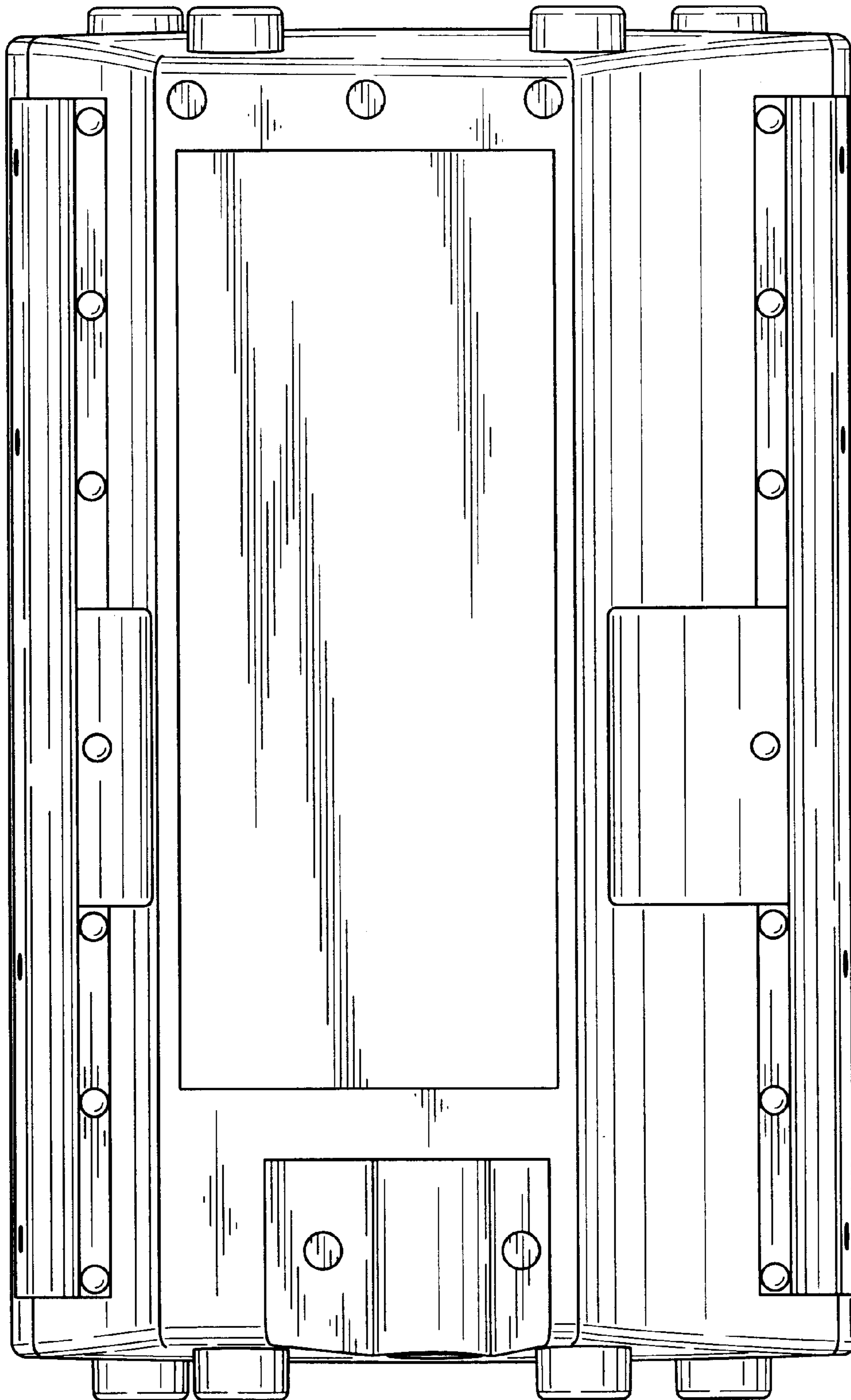


FIG. 7