

US00D527372S

(12) **United States Design Patent**
Allen

(10) **Patent No.:** **US D527,372 S**

(45) **Date of Patent:** **** Aug. 29, 2006**

(54) **LOUDSPEAKER**

(75) **Inventor:** **Graham David Allen**, Alderley Edge
(GB)

(73) **Assignee:** **KH Technology Corporation**, Grand
Cayman (KY)

(**) **Term:** **14 Years**

(21) **Appl. No.:** **29/230,213**

(22) **Filed:** **May 17, 2005**

(30) **Foreign Application Priority Data**

Jan. 12, 2005 (GB) 3019980

(51) **LOC (8) Cl.** **14-01**

(52) **U.S. Cl.** **D14/214**

(58) **Field of Classification Search** D14/204,
D14/207, 209–216, 356; 181/143–144, 147–148,
181/150, 157, 198–199, 151, 153; 381/300–302,
381/306, 333, 345, 361–364, 386–388, 332,
381/336

See application file for complete search history.

(56) **References Cited**

U.S. PATENT DOCUMENTS

D282,539 S * 2/1986 Clason D14/213

5,400,407 A * 3/1995 Cassity et al. 381/87
6,144,746 A * 11/2000 Azima et al. 381/152
D476,640 S * 7/2003 Harris et al. D14/211

* cited by examiner

Primary Examiner—Nanda Bondade

(74) *Attorney, Agent, or Firm*—Kenneth L. Sherman, Esq.;
Myers Dawes Andras & Sherman, LLP

(57) **CLAIM**

I claim the ornamental design for the loudspeaker, as shown
and described.

DESCRIPTION

FIG. 1 is a front view of a loudspeaker showing my new
design;

FIG. 2 is a side view thereof;

FIG. 3 is a bottom view thereof;

FIG. 4 is a top front perspective view thereof;

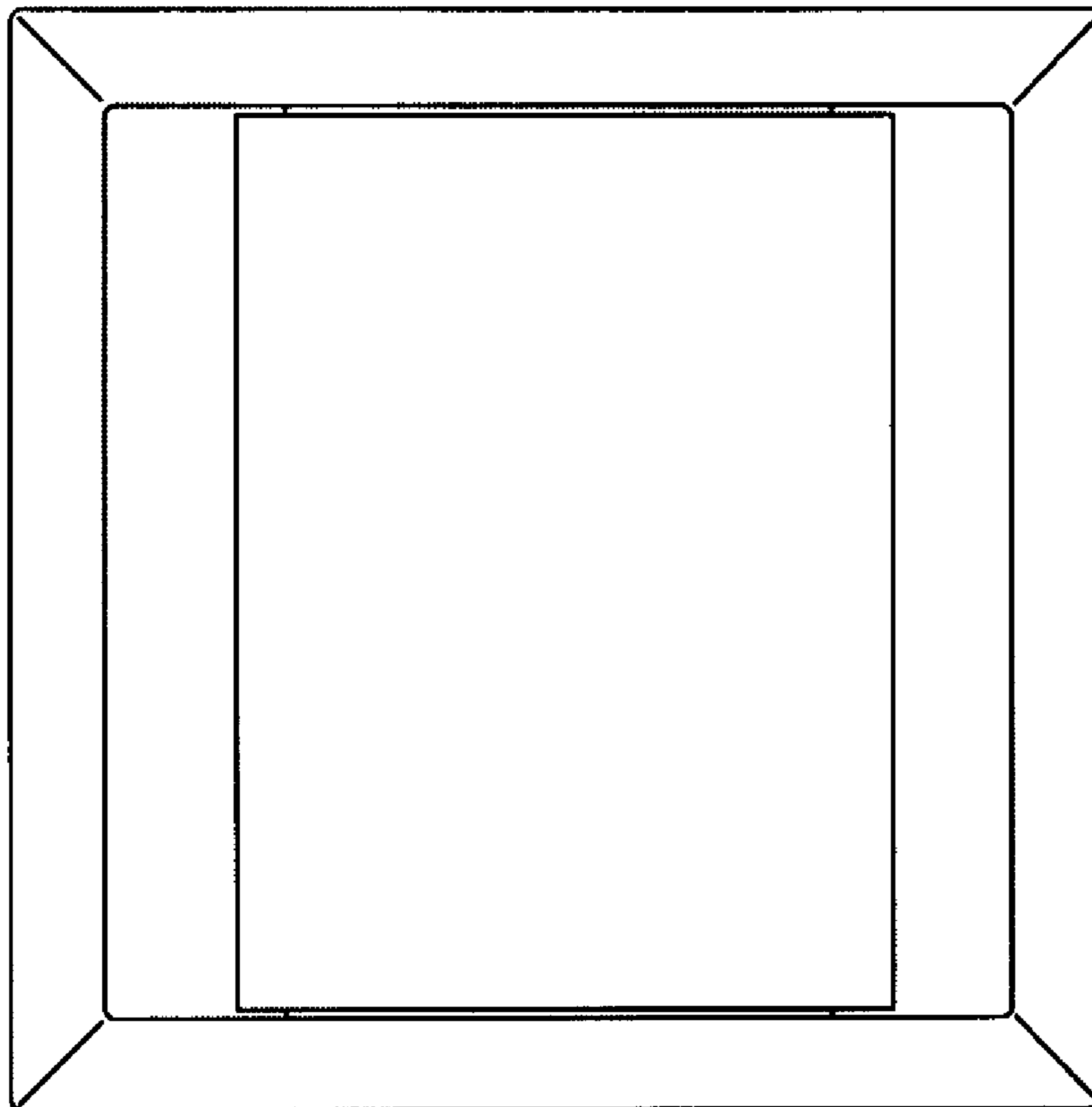
FIG. 5 is a front view thereof, in an open position;

FIG. 6 is a bottom view thereof; and,

FIG. 7 is a top front perspective view thereof.

The broken line showing on the drawing disclosure is for
illustrative purposes only and forms no part of the claimed
design.

1 Claim, 4 Drawing Sheets



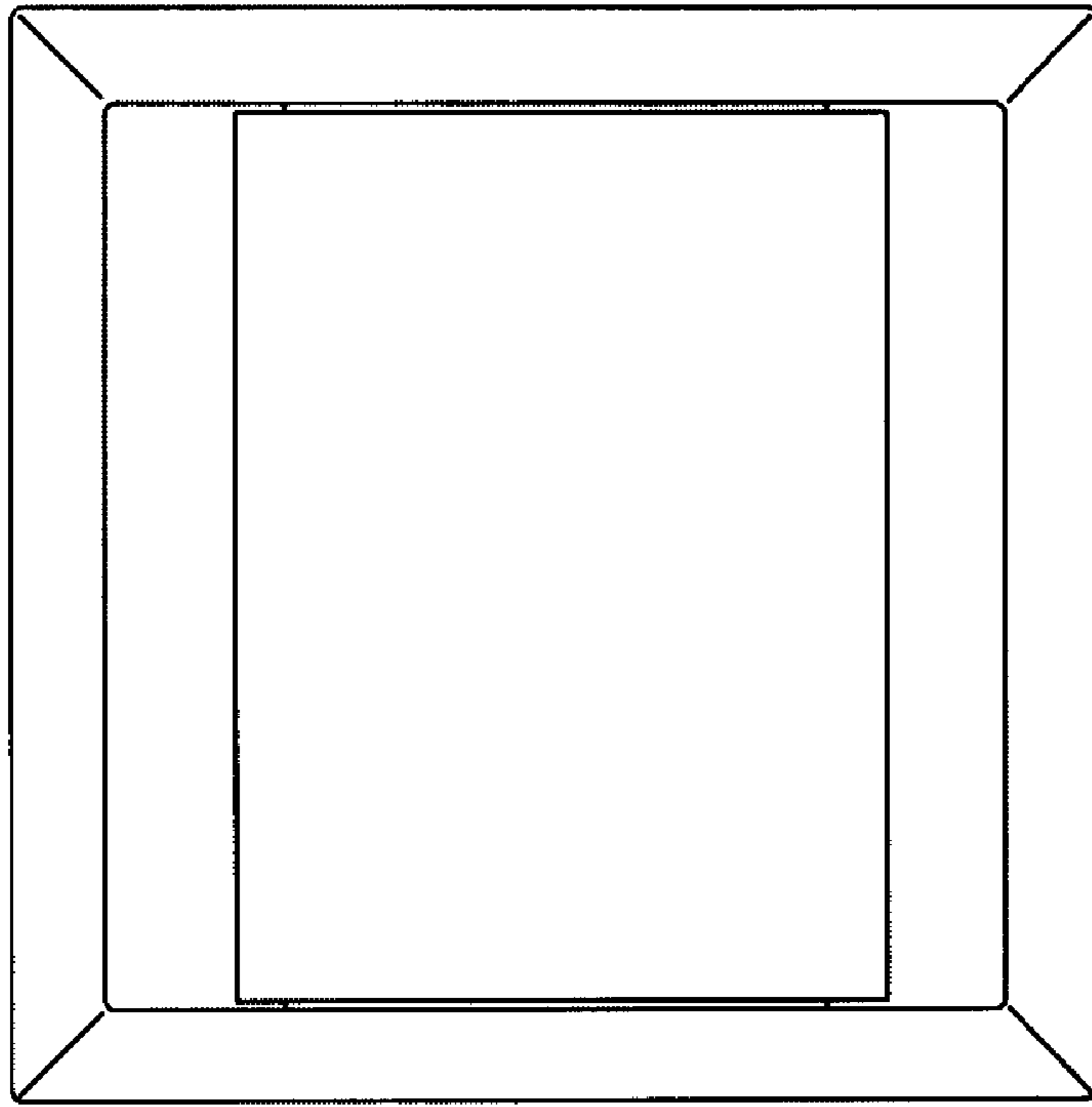


FIG. 1

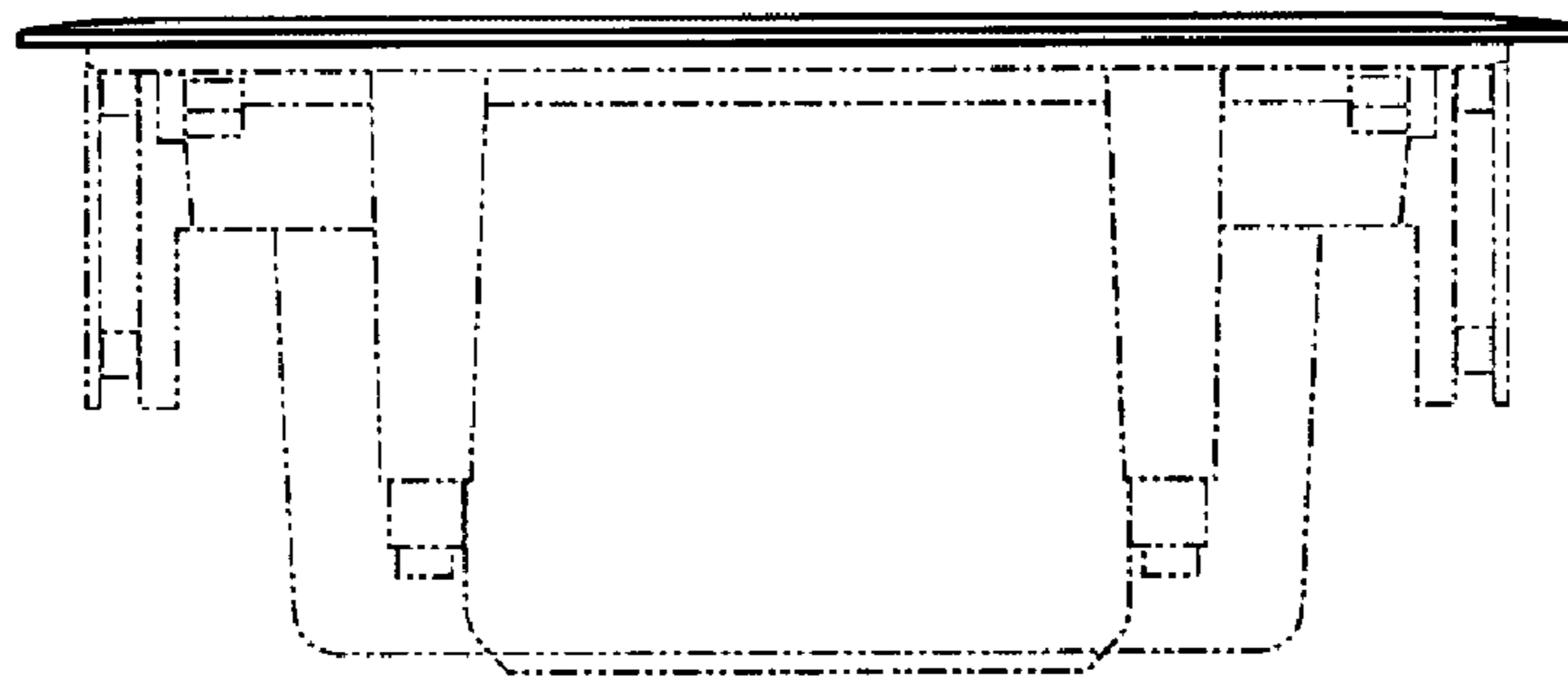


FIG. 2

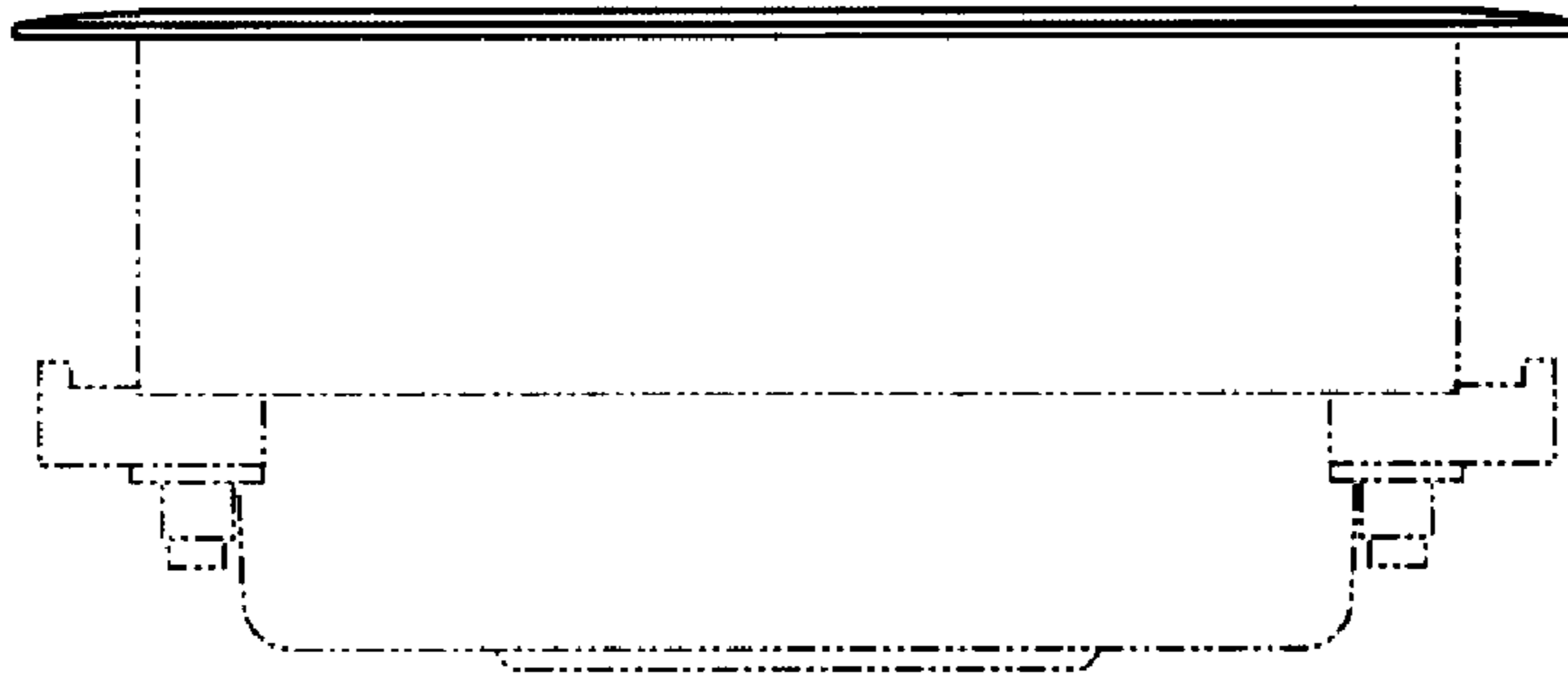


FIG. 3

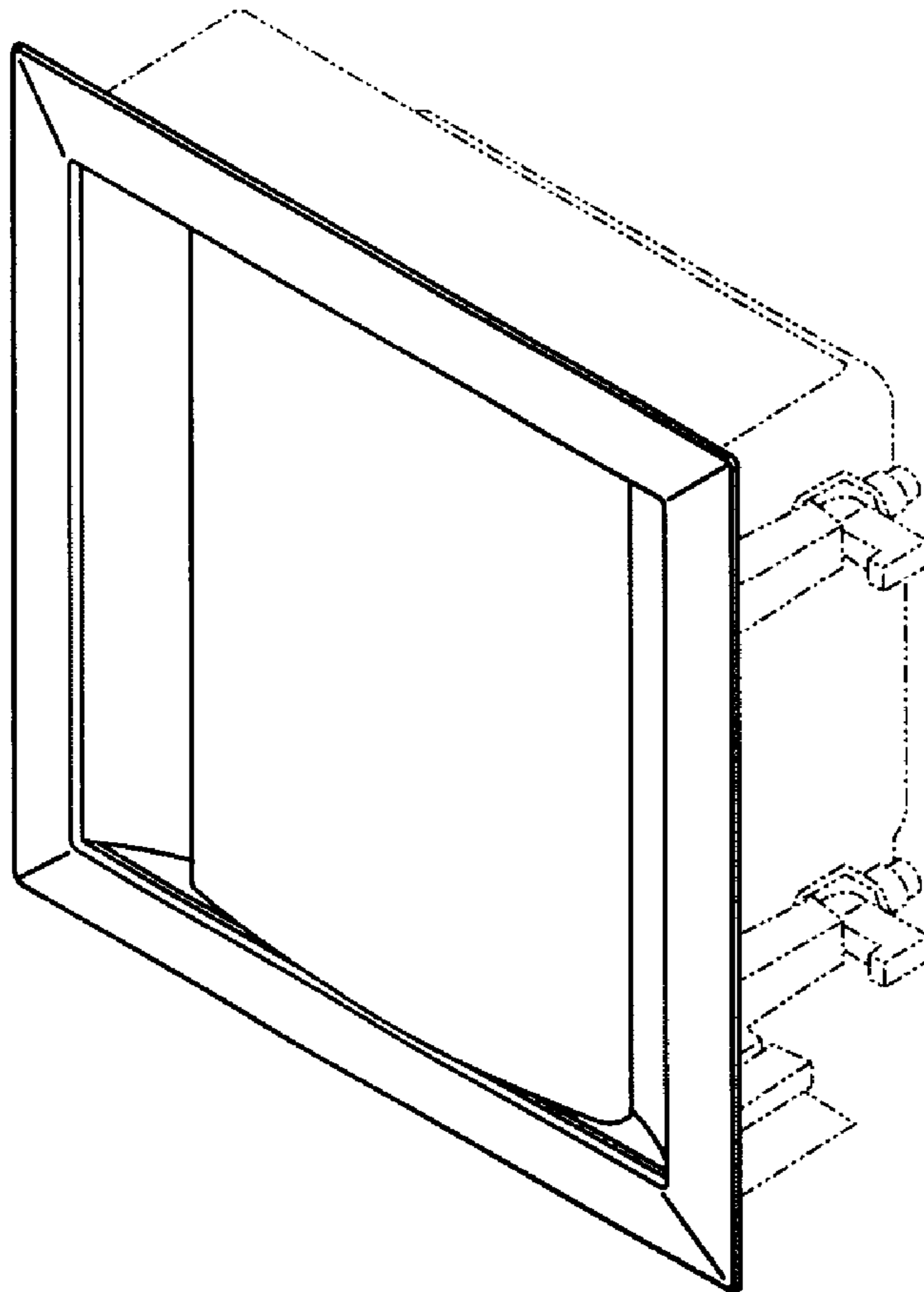


FIG. 4

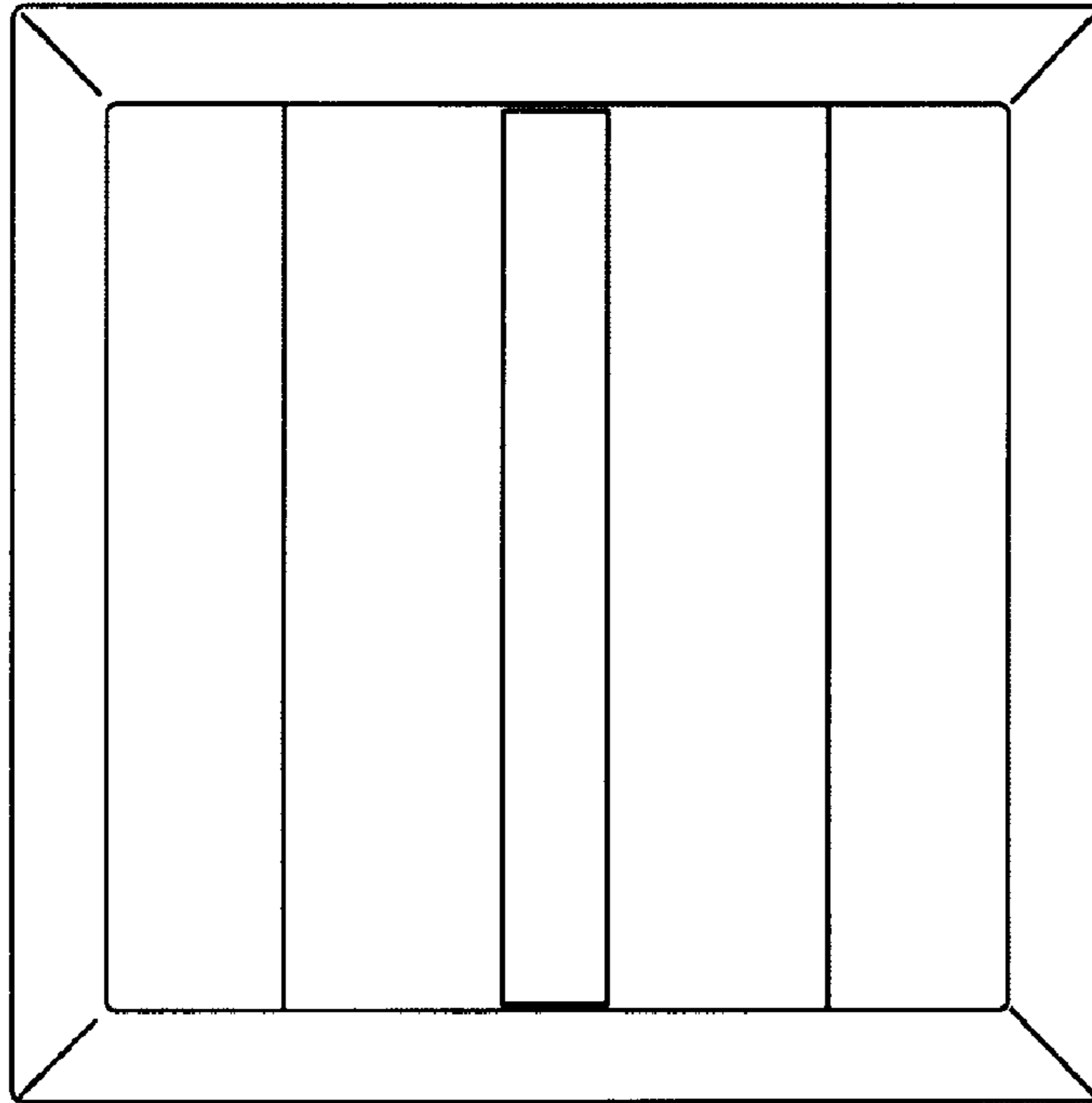


FIG. 5

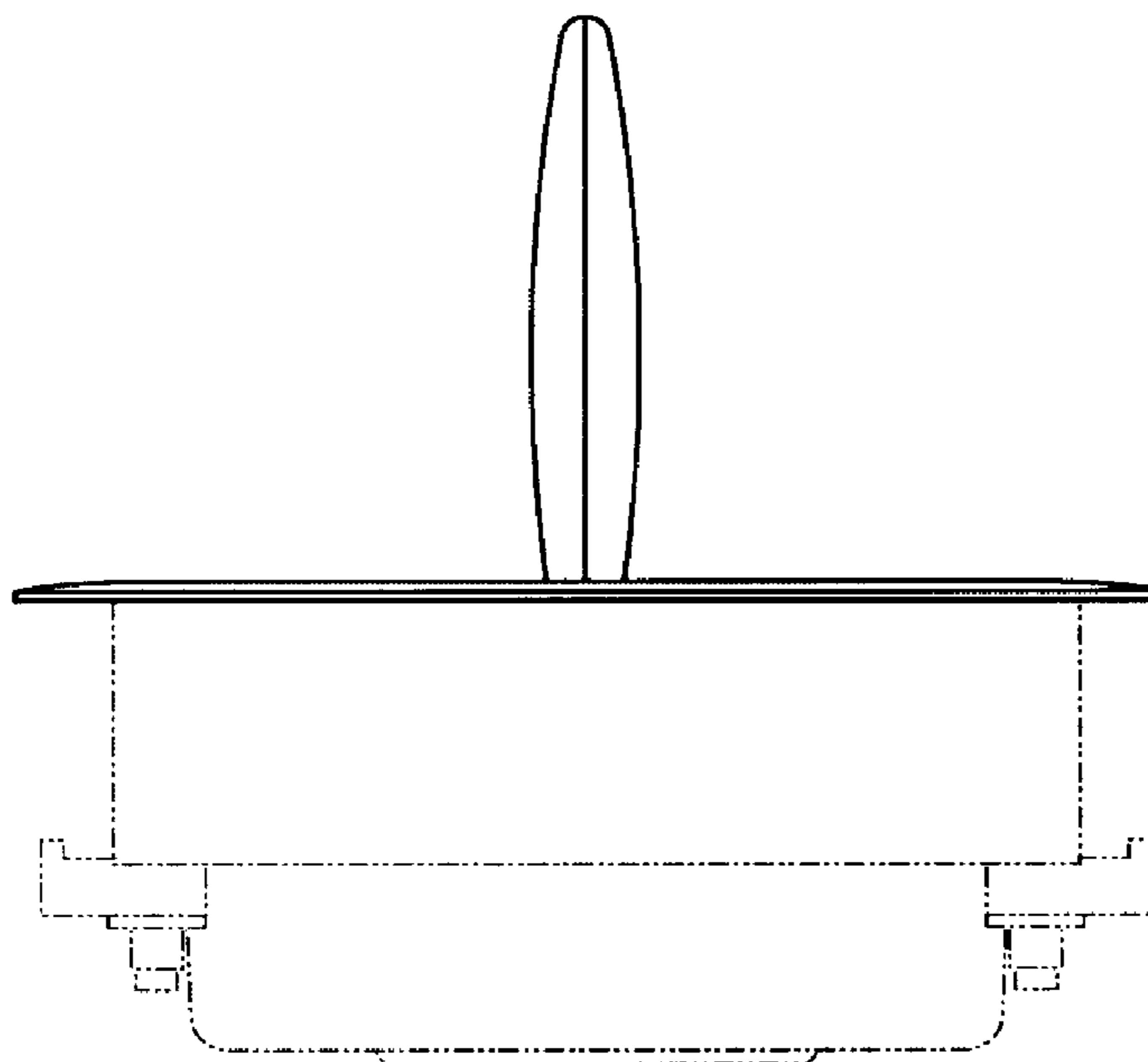


FIG. 6

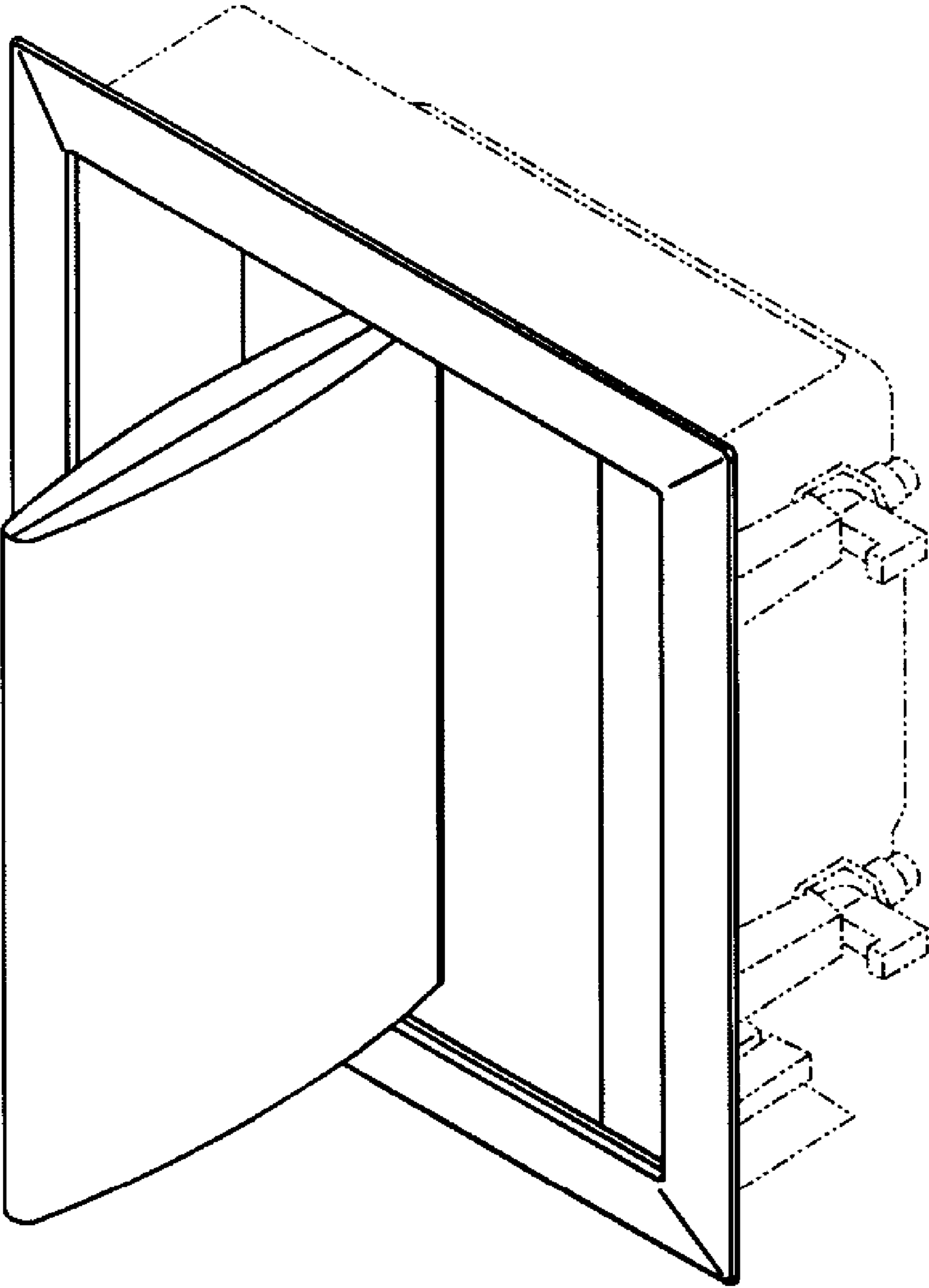


FIG. 7