



US00D527371S

(12) **United States Design Patent**
Springer

(10) **Patent No.:** **US D527,371 S**

(45) **Date of Patent:** **** Aug. 29, 2006**

(54) **FIREPLACE SOUND SYSTEM**

(76) **Inventor:** **Calvin G. Springer**, 2498 Lost Creek Dr., Flushing, MI (US) 48433

(**) **Term:** **14 Years**

(21) **Appl. No.:** **29/219,331**

(22) **Filed:** **Dec. 16, 2004**

(51) **LOC (8) Cl.** **14-01**

(52) **U.S. Cl.** **D14/172**

(58) **Field of Classification Search** D14/204, D14/207, 214-216, 172; D23/343, 339, 404; 181/143-148, 198-199, 150-157; 340/384.1, 340/384.3, 384.7; 381/300-302, 306, 333, 381/345, 361-364, 386-388, 332, 336; 52/36.3, 52/211

See application file for complete search history.

(56) **References Cited**

U.S. PATENT DOCUMENTS

625,104 A * 5/1899 Graves 52/36.3
D182,794 S * 5/1958 Eames D14/214
D305,931 S * 2/1990 MacAleese D23/404

5,119,603 A * 6/1992 Jones 52/36.3
5,195,820 A 3/1993 Rehberg
5,400,408 A * 3/1995 Lundgren et al. 381/306
D375,155 S * 10/1996 Radke D23/344
5,594,802 A 1/1997 Berghoff et al.
5,774,040 A 6/1998 Lastoria
5,861,798 A 1/1999 Ankele, Jr.
D453,157 S * 1/2002 Kim D14/337
D507,258 S * 7/2005 Hussaini et al. D14/214
D508,481 S * 8/2005 Hioki D14/214

* cited by examiner

Primary Examiner—Nanda Bondade

(74) *Attorney, Agent, or Firm*—Richard L. Mikesell

(57) **CLAIM**

The ornamental design for a fireplace sound system, as shown and described.

DESCRIPTION

FIG. 1 is a top right perspective view of the fireplace sound system showing my new design; FIG. 2 is a front elevational view thereof; and, FIG. 3 is a right side elevational view thereof.

1 Claim, 1 Drawing Sheet

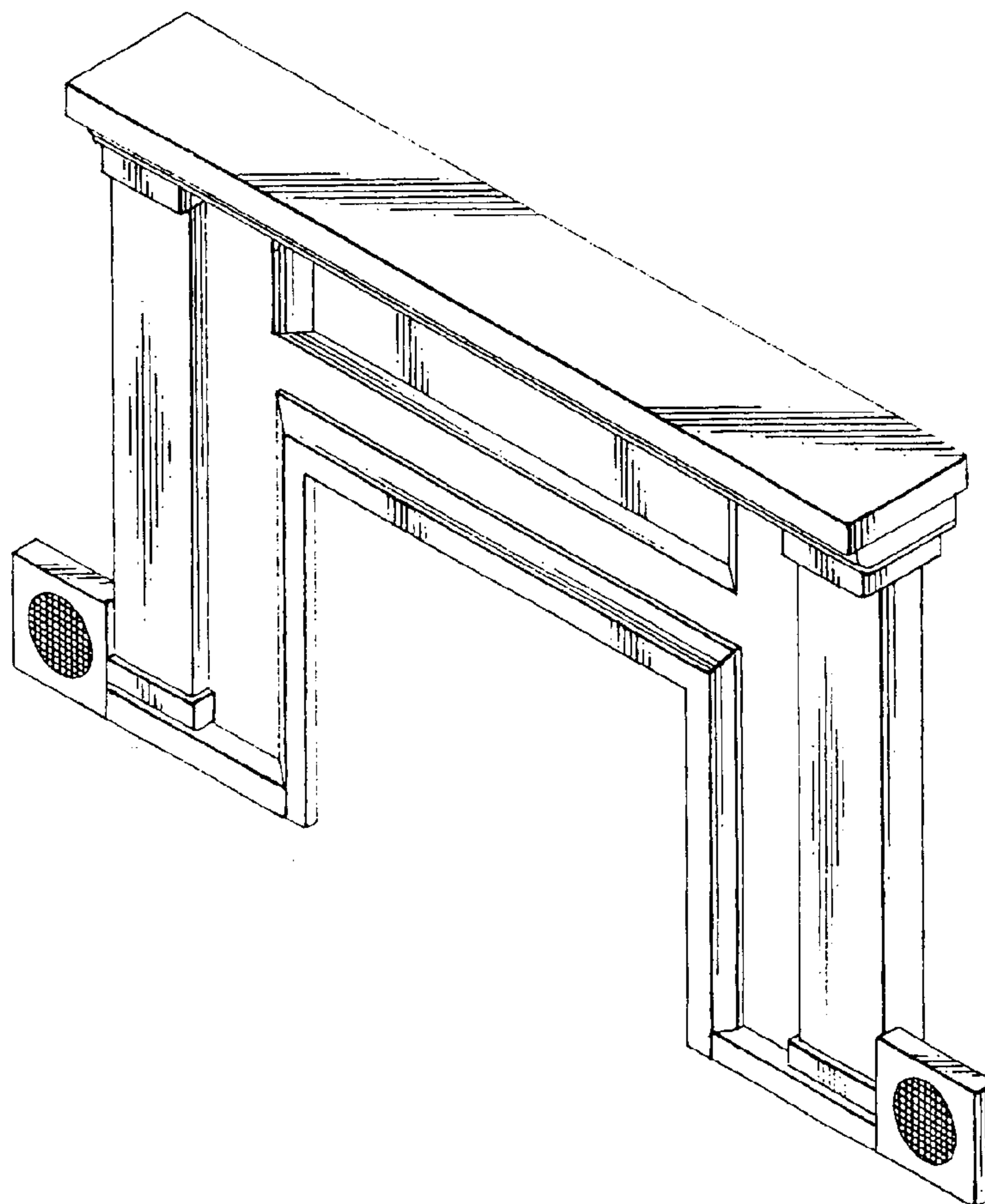


FIG. 1

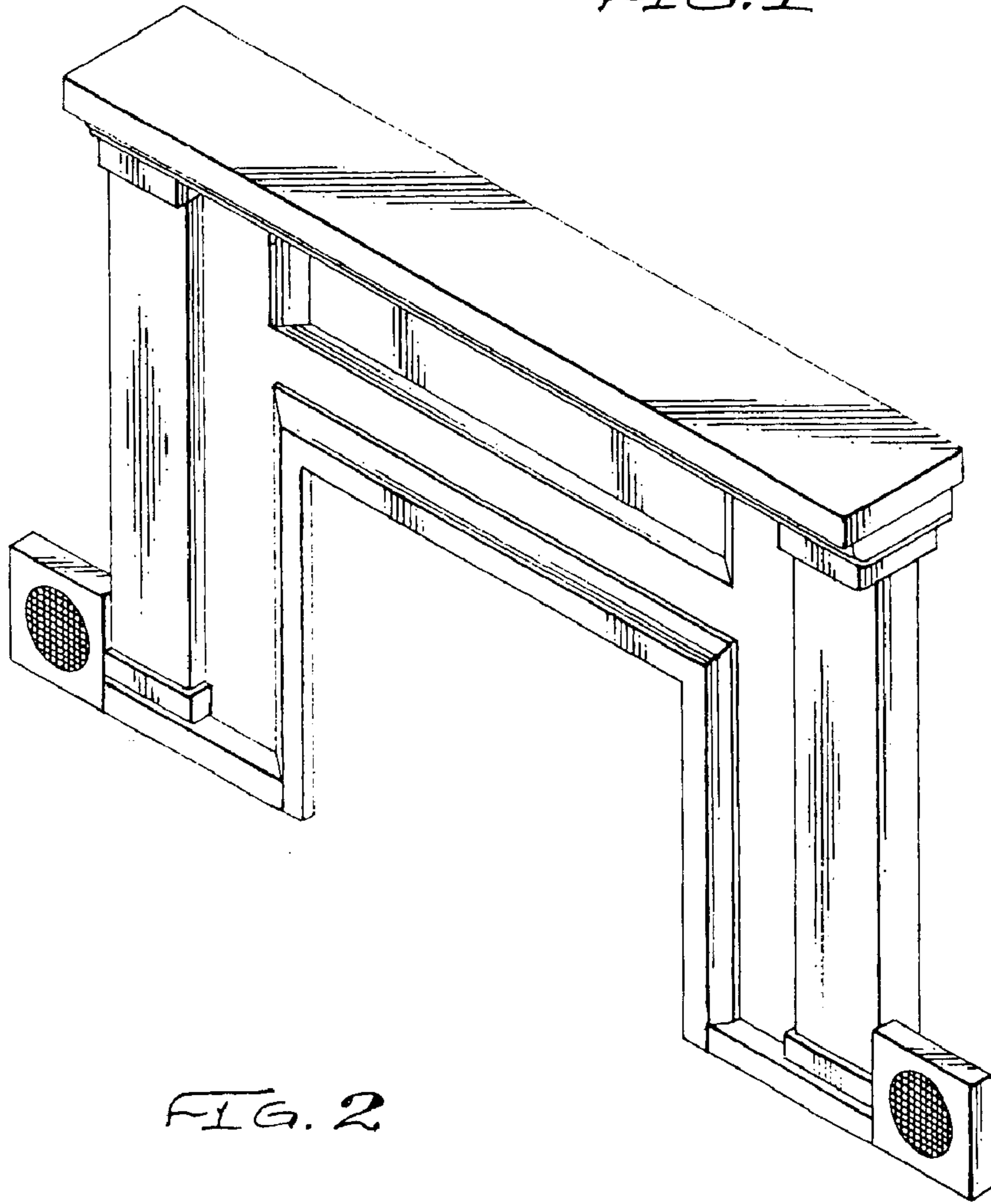


FIG. 2

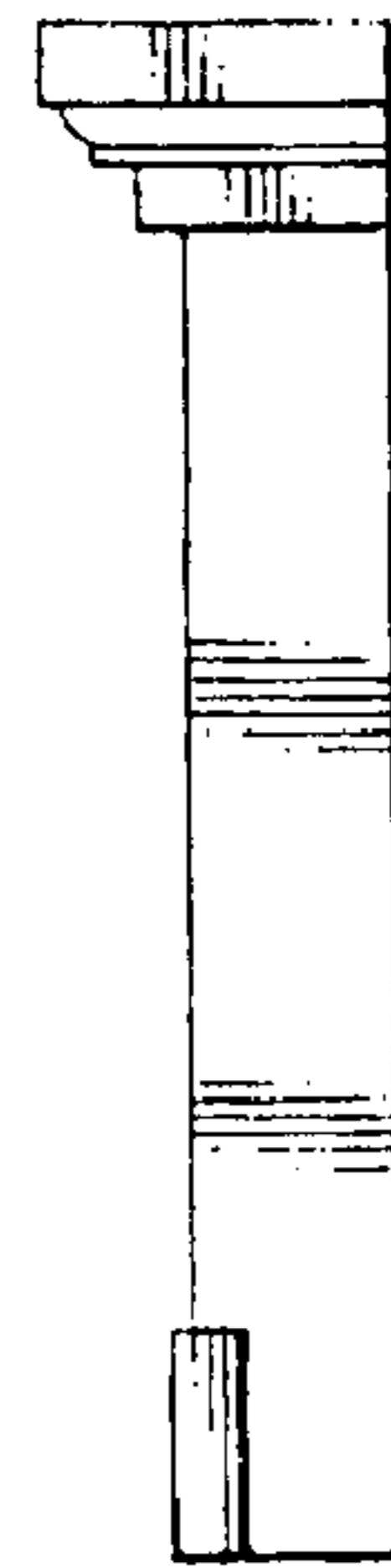
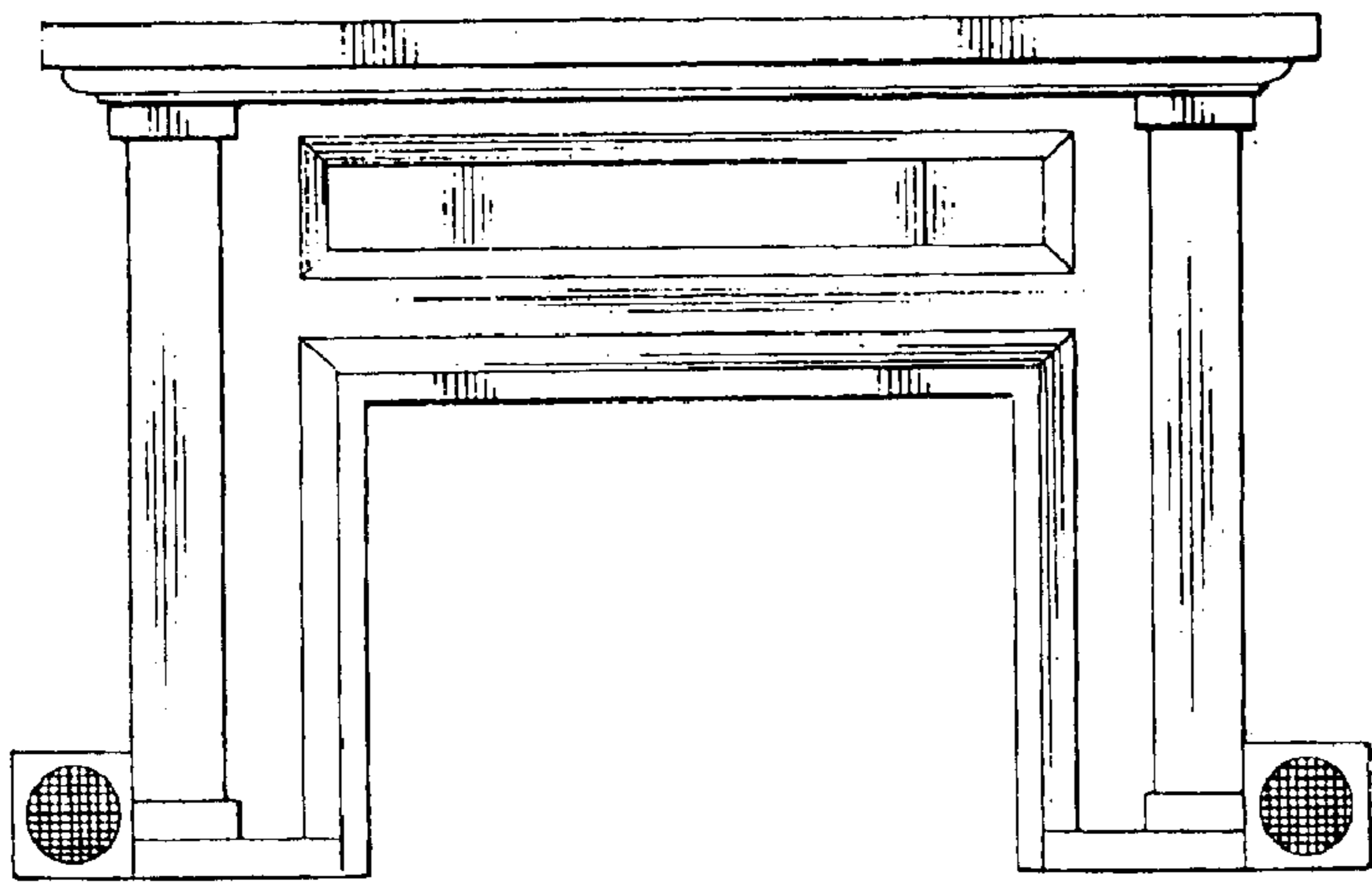


FIG. 3