

US00D527361S

(12) **United States Design Patent**  
**Hoehn**

(10) **Patent No.:** **US D527,361 S**

(45) **Date of Patent:** **\*\* Aug. 29, 2006**

(54) **TELEVISION SET**

(75) Inventor: **Holger Hoehn**, Taipei (TW)

(73) Assignee: **Hannspree, Inc.**, Taipei (TW)

(\*\*) Term: **14 Years**

(21) Appl. No.: **29/239,024**

(22) Filed: **Sep. 23, 2005**

(30) **Foreign Application Priority Data**

Mar. 24, 2005 (TW) ..... 094301633

(51) **LOC (8) Cl.** ..... **14-03**

(52) **U.S. Cl.** ..... **D14/126**

(58) **Field of Classification Search** ..... D14/125-134,  
D14/239, 371, 136, 374-377; 312/7.2; 348/836,  
348/838, 180, 184, 325, 739; 341/12; 248/917-924,  
248/465; 345/104, 133, 156, 168, 87, 173;  
720/605, 669, 600, 655; 369/99, 197; 455/344-347  
See application file for complete search history.

(56) **References Cited**

**U.S. PATENT DOCUMENTS**

D400,935 S \* 11/1998 Murasaki et al. .... D21/398  
D420,708 S \* 2/2000 Holmes et al. .... D21/329

D435,603 S \* 12/2000 Holmes et al. .... D21/329  
D453,153 S \* 1/2002 Yu et al. .... D14/240  
D472,554 S \* 4/2003 Zuege et al. .... D14/375  
6,585,554 B1 \* 7/2003 Hewitt et al. .... 446/146  
D496,660 S \* 9/2004 Liu ..... D14/371  
D497,363 S \* 10/2004 Olson et al. .... D14/371

\* cited by examiner

*Primary Examiner*—Raphael Barkai

(74) *Attorney, Agent, or Firm*—McNees Wallace & Nurick  
LLC

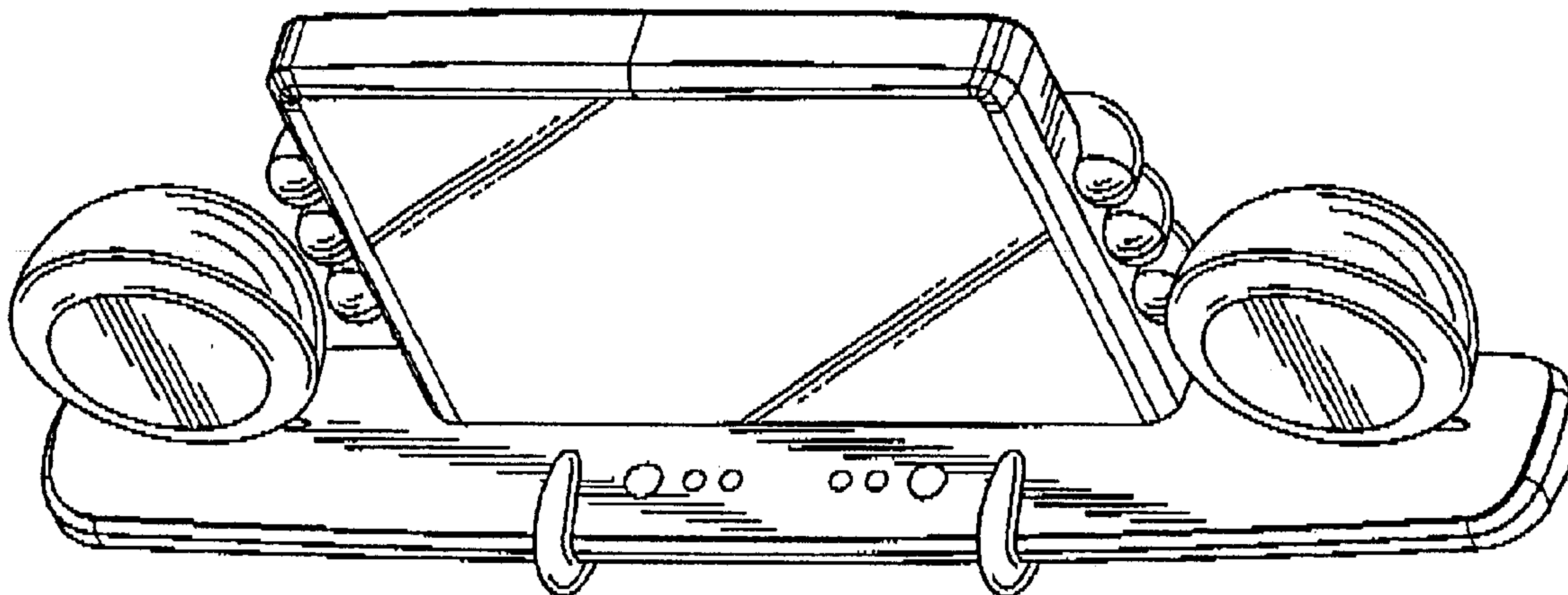
(57) **CLAIM**

The ornamental design for a television set, as shown and  
described.

**DESCRIPTION**

FIG. 1 is a perspective view of a television set showing my  
new design;  
FIG. 2 is a front elevational view thereof;  
FIG. 3 is a rear elevational view thereof;  
FIG. 4 is a left side elevational view thereof;  
FIG. 5 is a right side elevational view thereof;  
FIG. 6 is a top plan view thereof; and,  
FIG. 7 is a bottom plan view thereof.

**1 Claim, 3 Drawing Sheets**



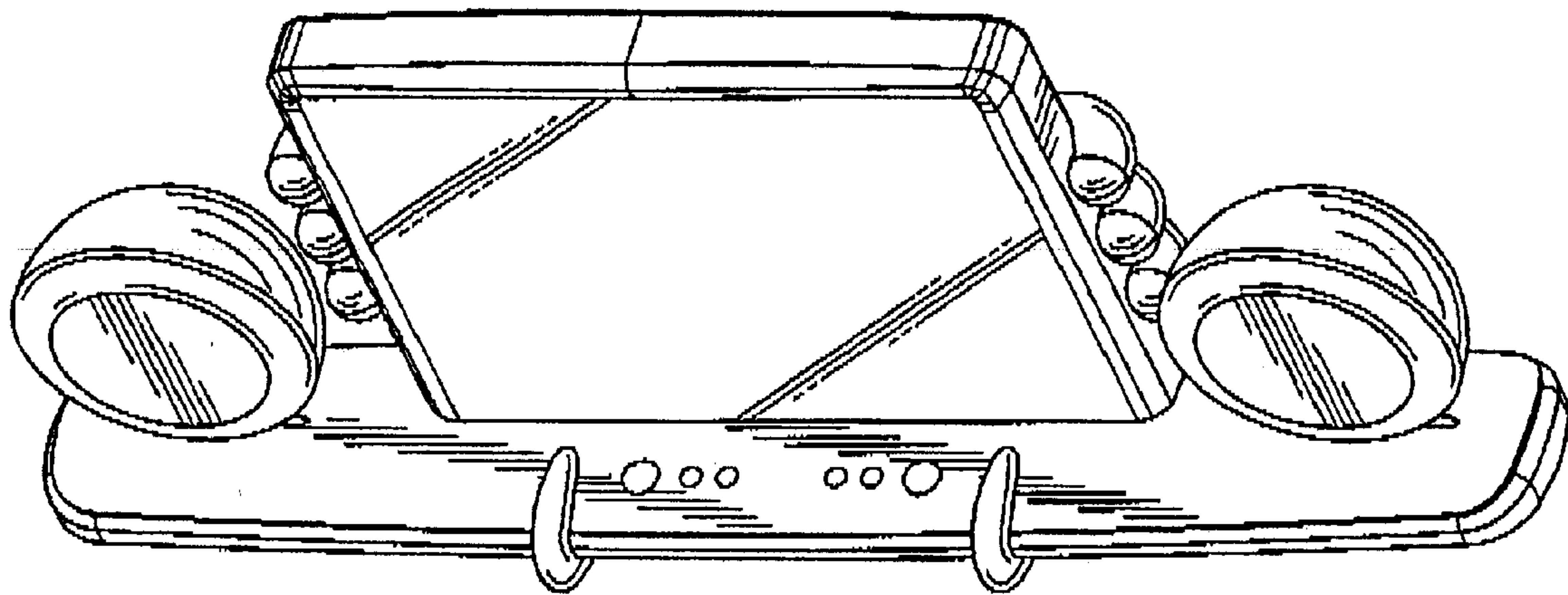


FIG. 1

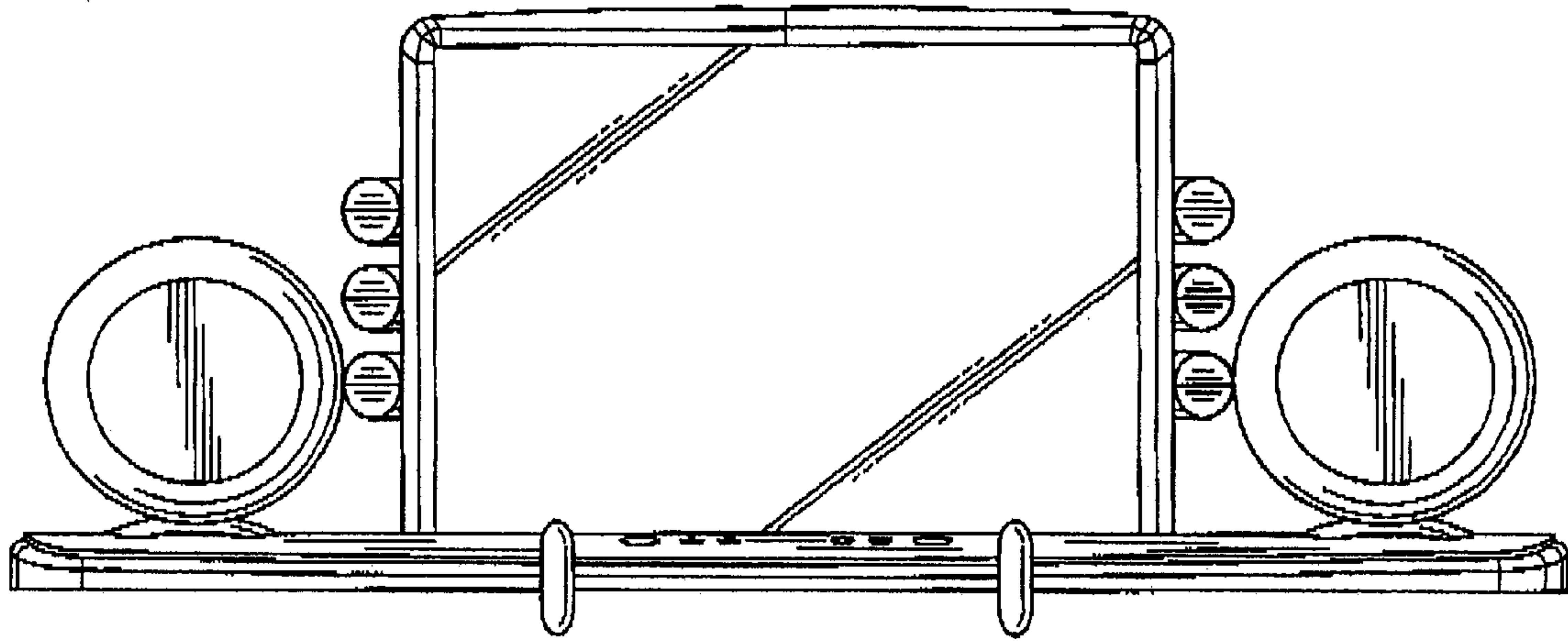


FIG. 2

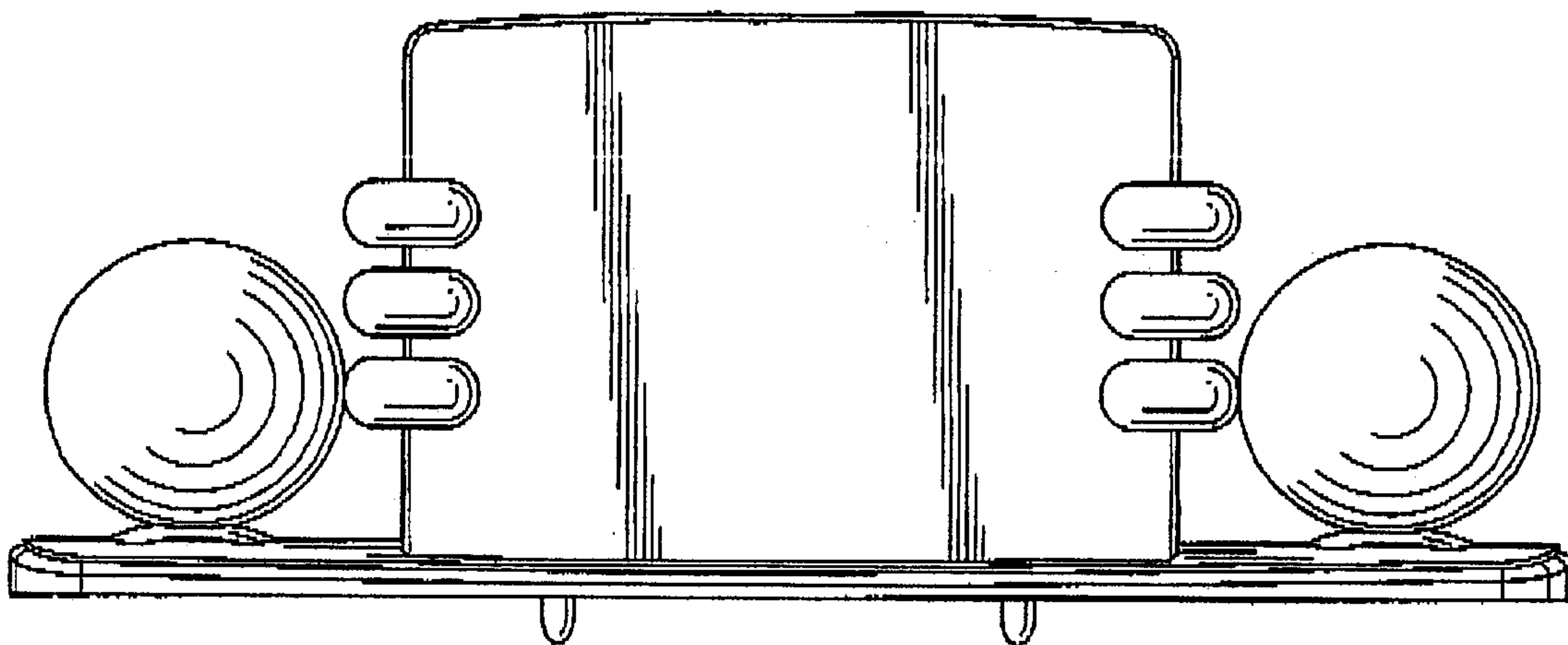


FIG. 3

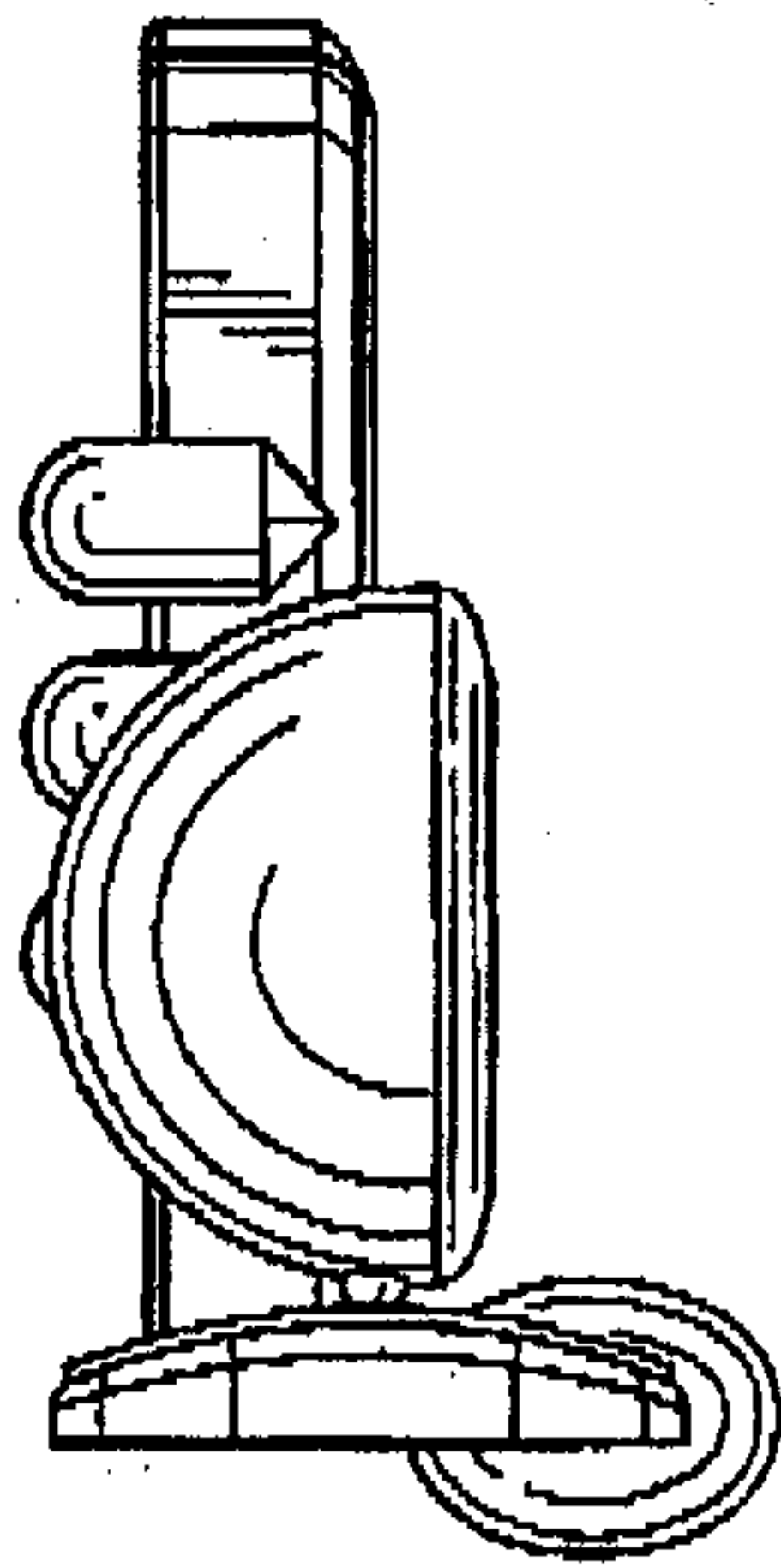


FIG. 4

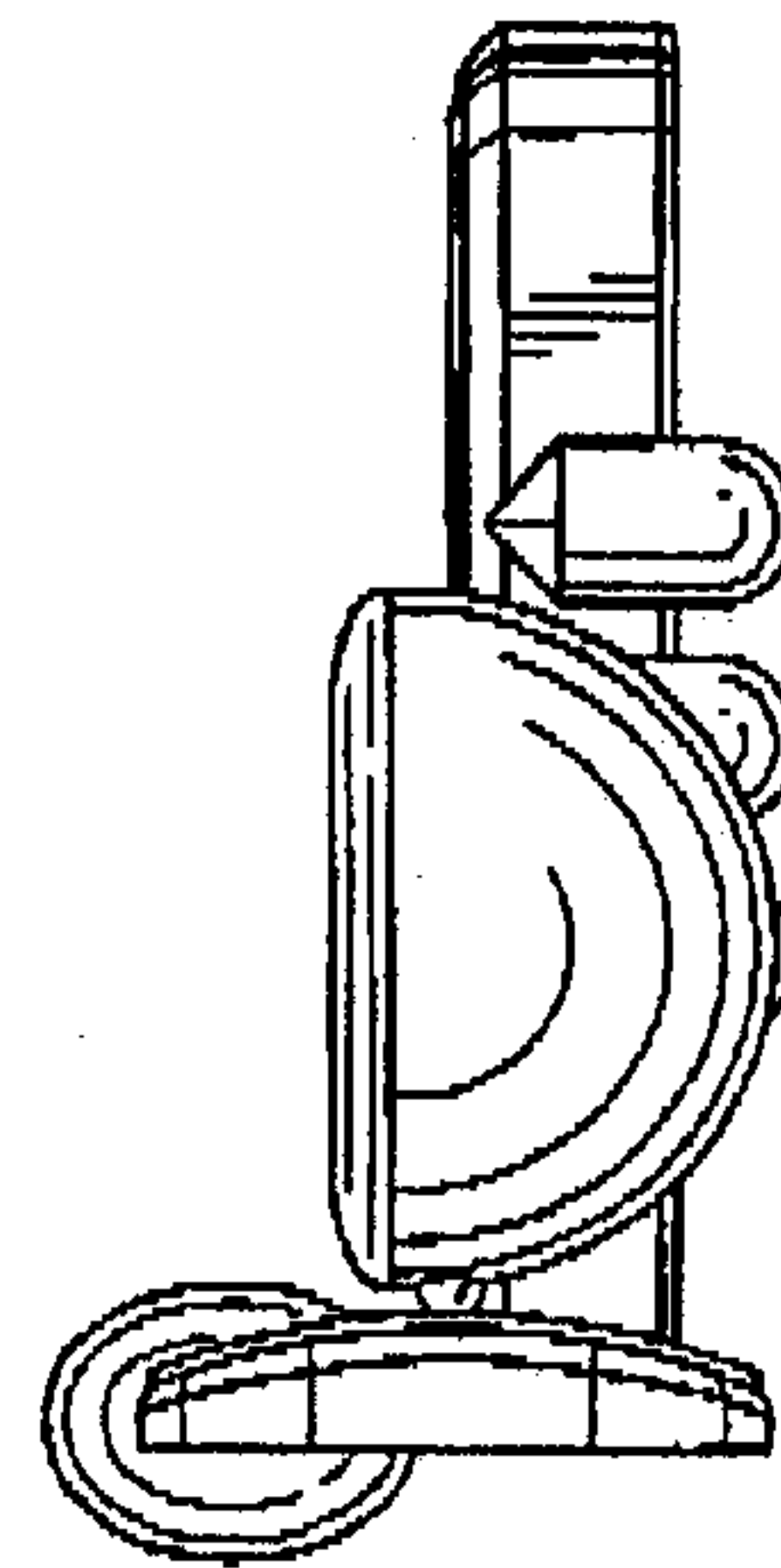


FIG. 5

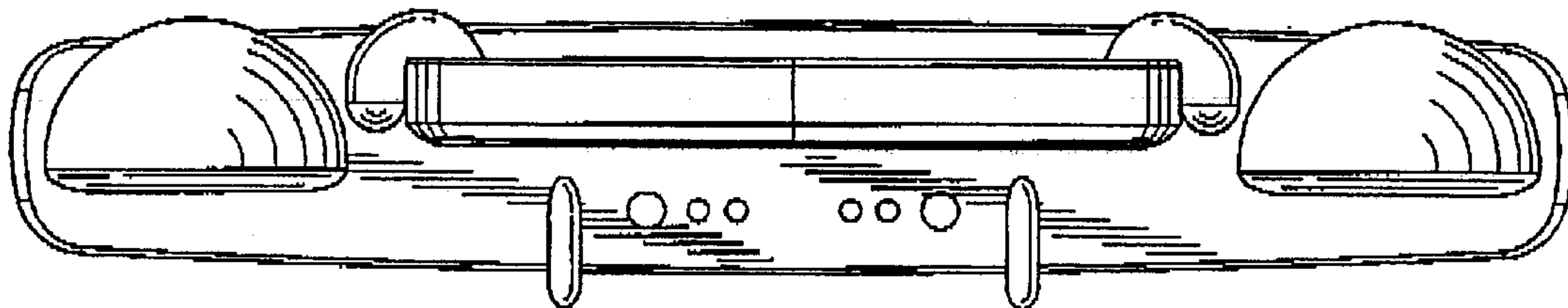


FIG. 6

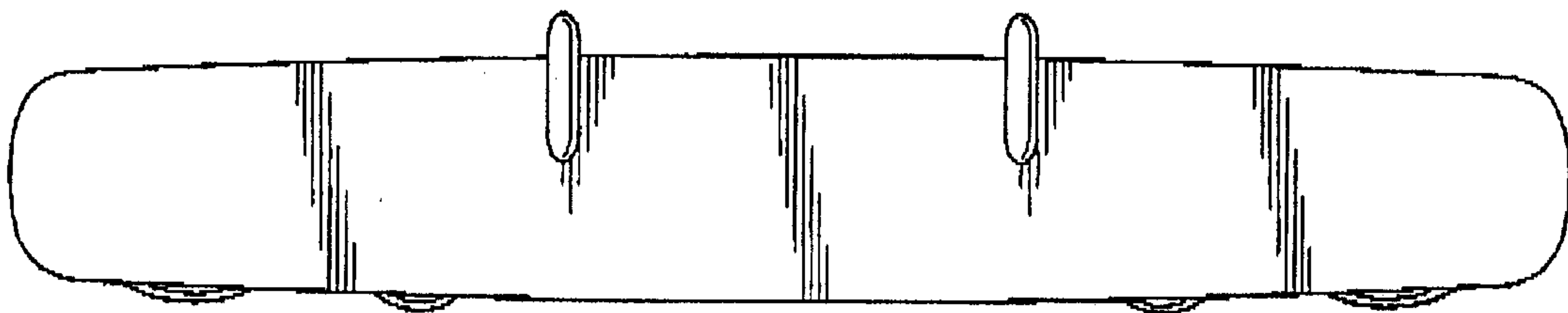


FIG. 7