



US00D527359S

(12) **United States Design Patent**  
**Rashid**

(10) **Patent No.:** **US D527,359 S**

(45) **Date of Patent:** **\*\* Aug. 29, 2006**

(54) **TELEVISION SET**

(75) Inventor: **Karim Rashid**, New York, NY (US)

(73) Assignee: **Hannspree Inc.**, Taipei (TW)

(\*\*) Term: **14 Years**

(21) Appl. No.: **29/238,244**

(22) Filed: **Sep. 13, 2005**

(30) **Foreign Application Priority Data**

Jul. 22, 2005 (TW) ..... 94304435

(51) **LOC (8) Cl.** ..... **14-03**

(52) **U.S. Cl.** ..... **D14/126**

(58) **Field of Classification Search** ..... D14/125-134,  
D14/239, 371, 136, 374-377; 312/7.2; 348/836,  
348/838, 180, 184, 325, 739; 341/12; 248/917-924,  
248/465; 345/104, 133, 156, 168, 87, 173;  
720/605, 669, 600, 655; 369/99, 197; 455/344-347  
See application file for complete search history.

(56) **References Cited**

**U.S. PATENT DOCUMENTS**

D447,138 S \* 8/2001 Arpe ..... D14/336

D453,509 S \* 2/2002 Kazamaki ..... D14/374

D467,620 S \* 12/2002 Lin ..... D21/329

D475,984 S \* 6/2003 Chen et al. .... D14/126

D481,725 S \* 11/2003 Lin ..... D14/375

D486,486 S \* 2/2004 Jobs et al. .... D14/371

D493,430 S \* 7/2004 Hussaini et al. .... D14/126

D496,042 S \* 9/2004 Borsboom ..... D14/371

D497,351 S \* 10/2004 Kita ..... D14/134

D512,058 S \* 11/2005 Ball ..... D14/342

\* cited by examiner

*Primary Examiner*—Raphael Barkai

(74) *Attorney, Agent, or Firm*—Thomas, Kayden,  
Horstemeyer & Risley

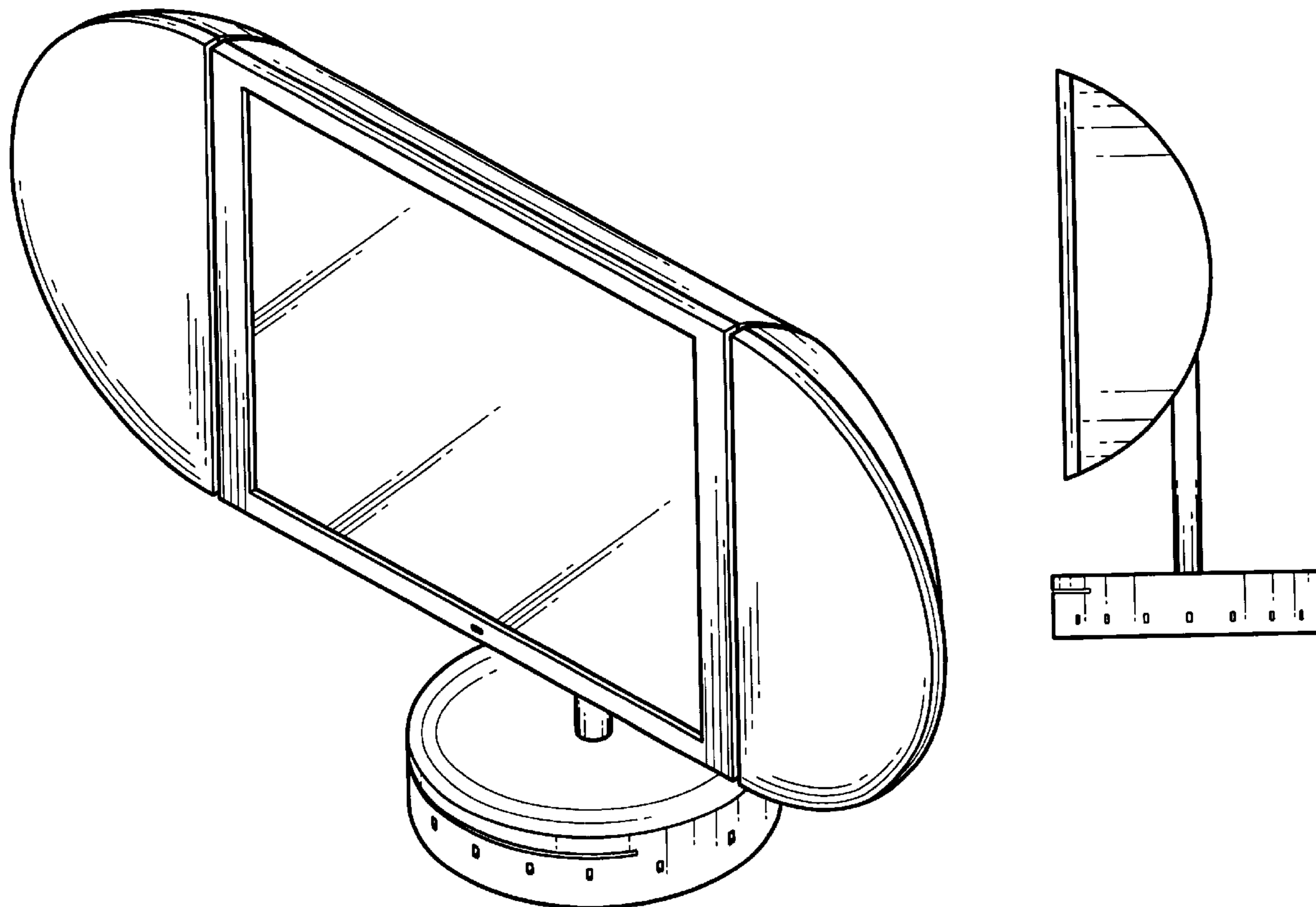
(57) **CLAIM**

The ornamental design for a television set, as shown and described.

**DESCRIPTION**

FIG. 1 is a front perspective view thereof;  
FIG. 2 is a front elevational view thereof;  
FIG. 3 is a rear elevational view thereof;  
FIG. 4 is a left side elevational view thereof;  
FIG. 5 is a right side elevational view thereof;  
FIG. 6 is a top plan view thereof; and,  
FIG. 7 is a bottom plan view thereof.

**1 Claim, 4 Drawing Sheets**



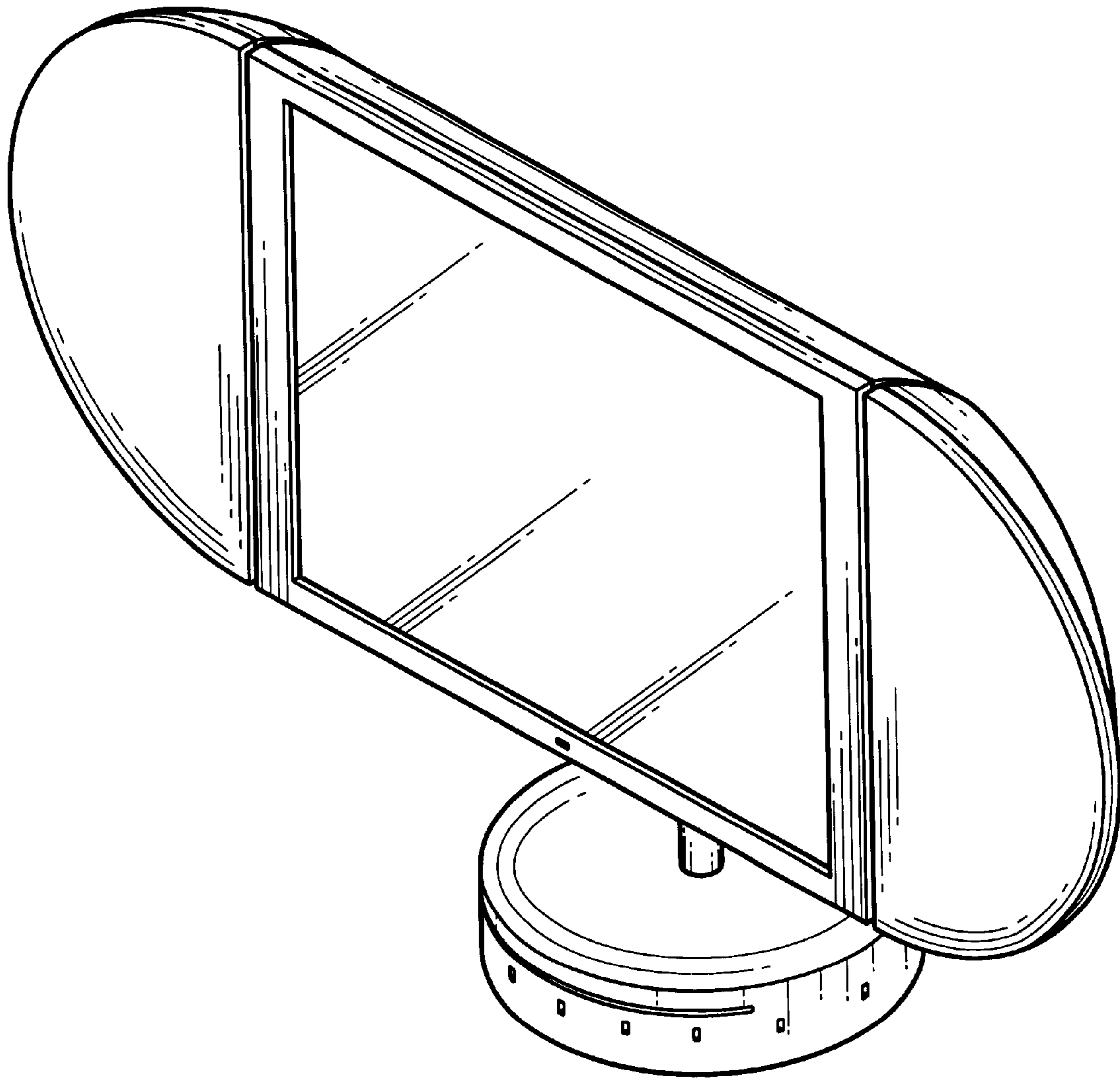


FIG. 1

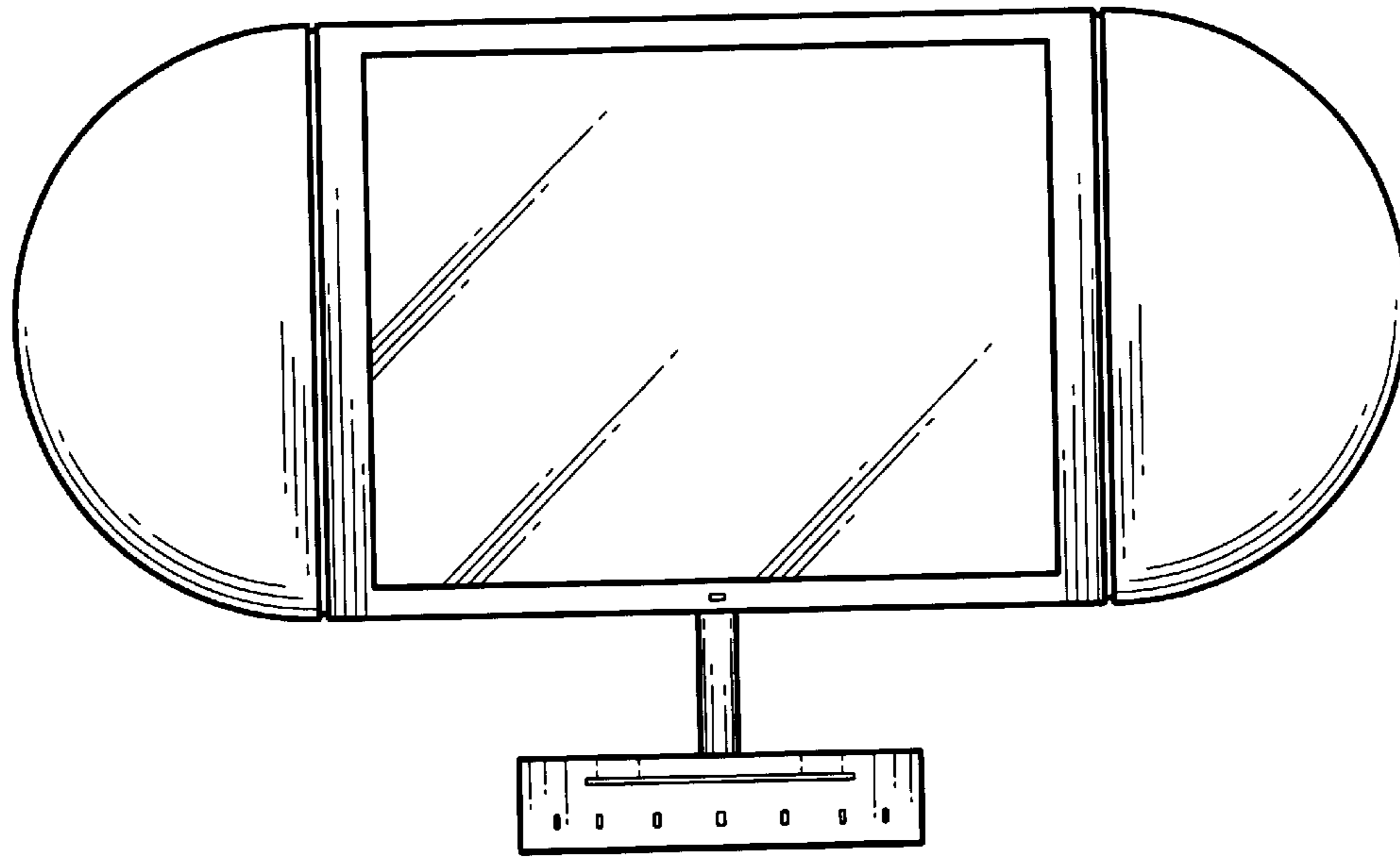


FIG. 2

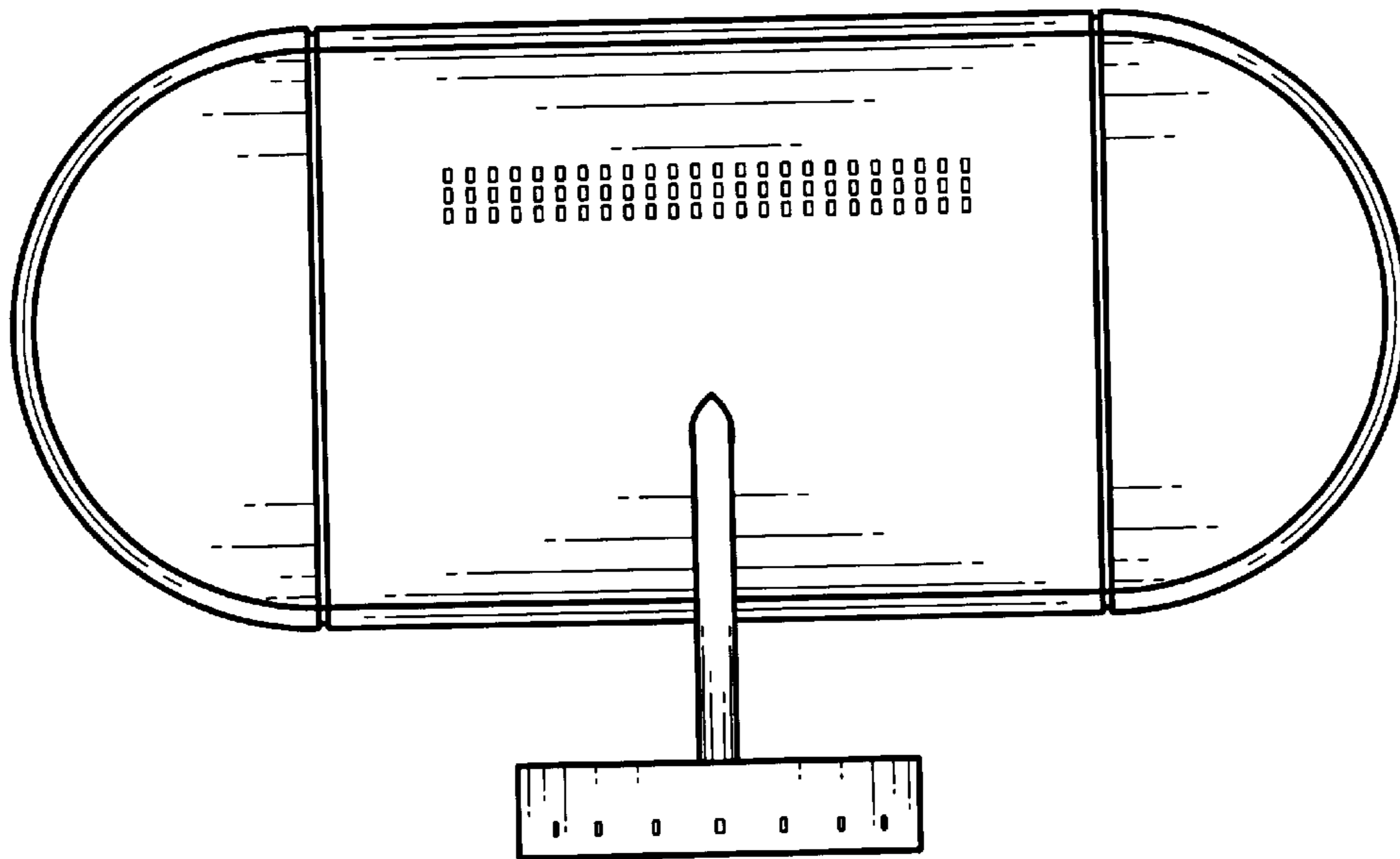


FIG. 3

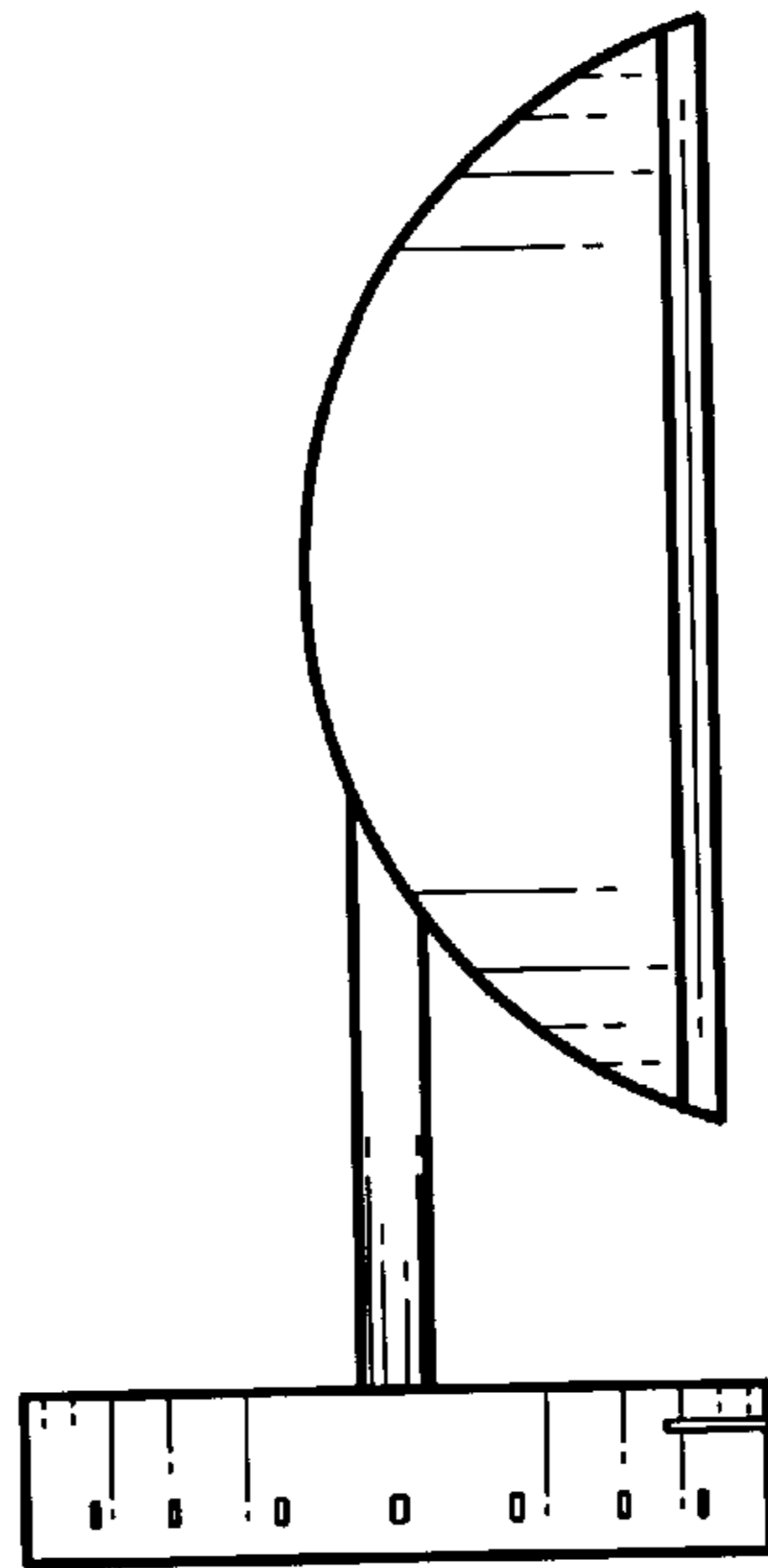


FIG. 4

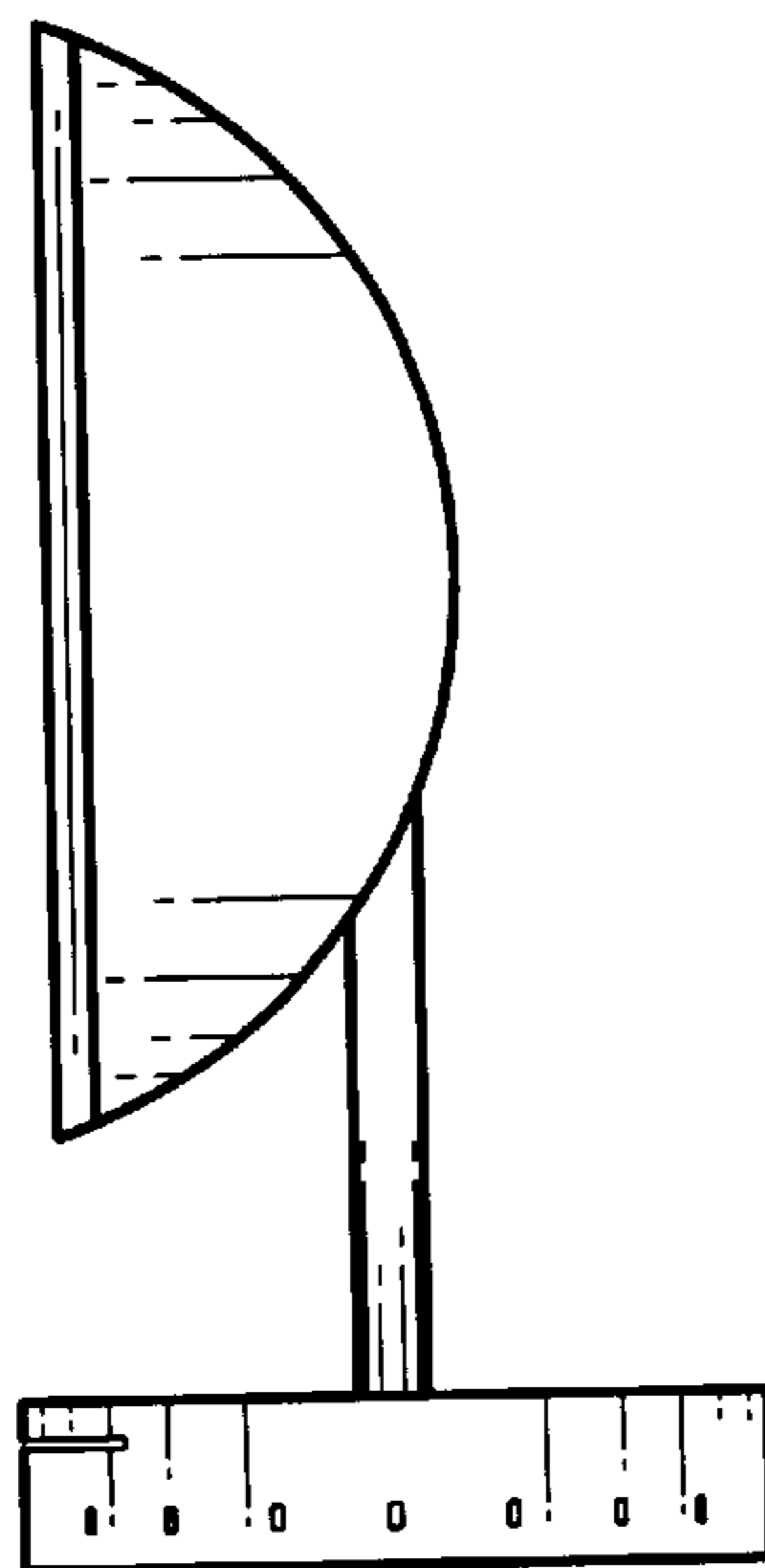


FIG. 5

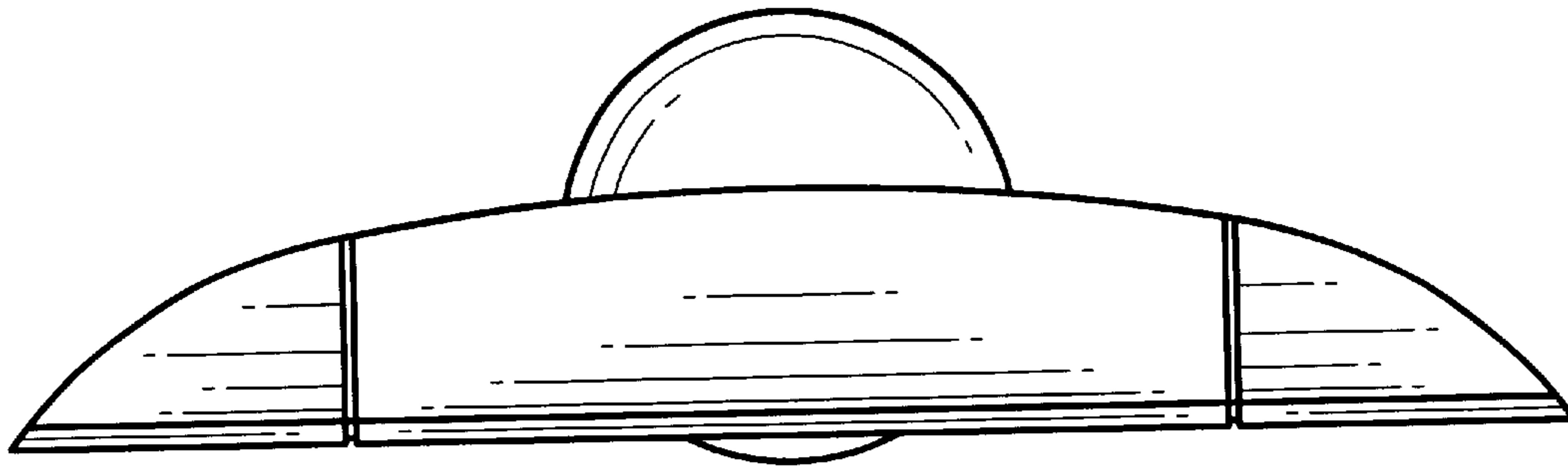


FIG. 6

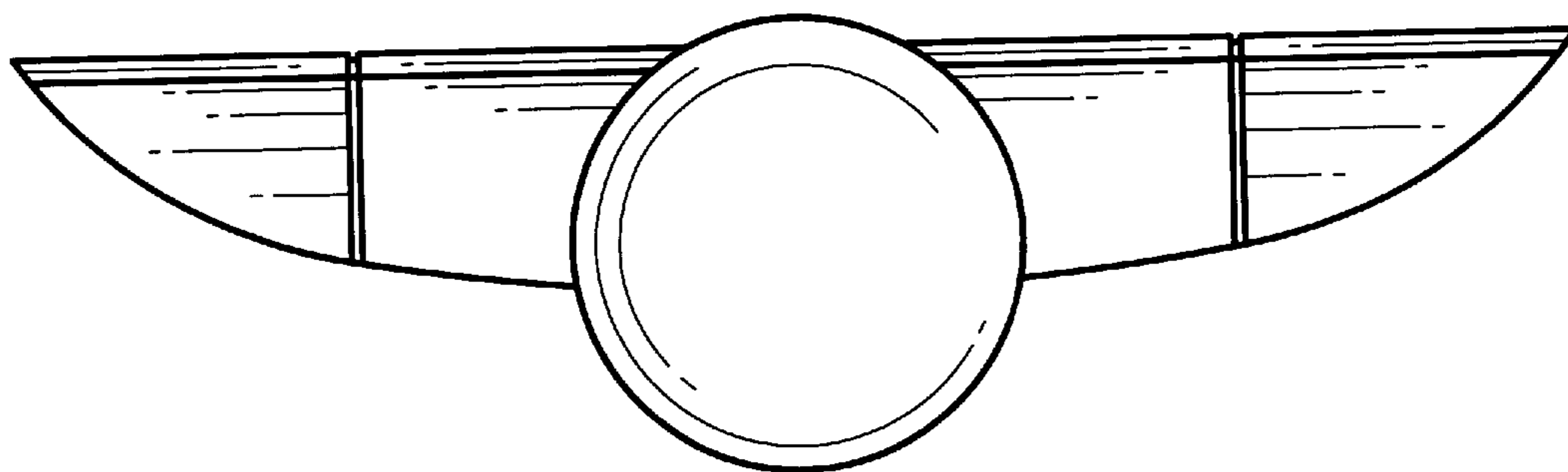


FIG. 7