

US00D527354S

(12) **United States Design Patent** (10) **Patent No.:** **US D527,354 S**
Lin (45) **Date of Patent:** **** Aug. 29, 2006**

(54) **TELEVISION SET**
(75) Inventor: **Roger Lin**, Taipei (TW)
(73) Assignee: **Hannspree, Inc.**, Taipei (TW)
(**) Term: **14 Years**
(21) Appl. No.: **29/231,593**
(22) Filed: **Jun. 8, 2005**
(30) **Foreign Application Priority Data**
Dec. 14, 2004 (TW) 93307662
(51) **LOC (8) Cl.** **14-03**
(52) **U.S. Cl.** **D14/126; D14/129**
(58) **Field of Classification Search** D14/125-134,
D14/239, 371, 136, 374-377; 312/7.2; 348/836,
348/838, 180, 184, 325, 739; 341/12; 248/917-924,
248/465; 345/104, 133, 156, 168, 87, 173;
720/605, 669, 600, 655; 369/99, 197; 455/344-347
See application file for complete search history.

(56) **References Cited**
U.S. PATENT DOCUMENTS
D458,257 S * 6/2002 Rosen et al. D14/375
D458,910 S * 6/2002 Kita D14/126
D475,048 S * 5/2003 Wu et al. D14/374
D482,339 S * 11/2003 Yin et al. D14/134

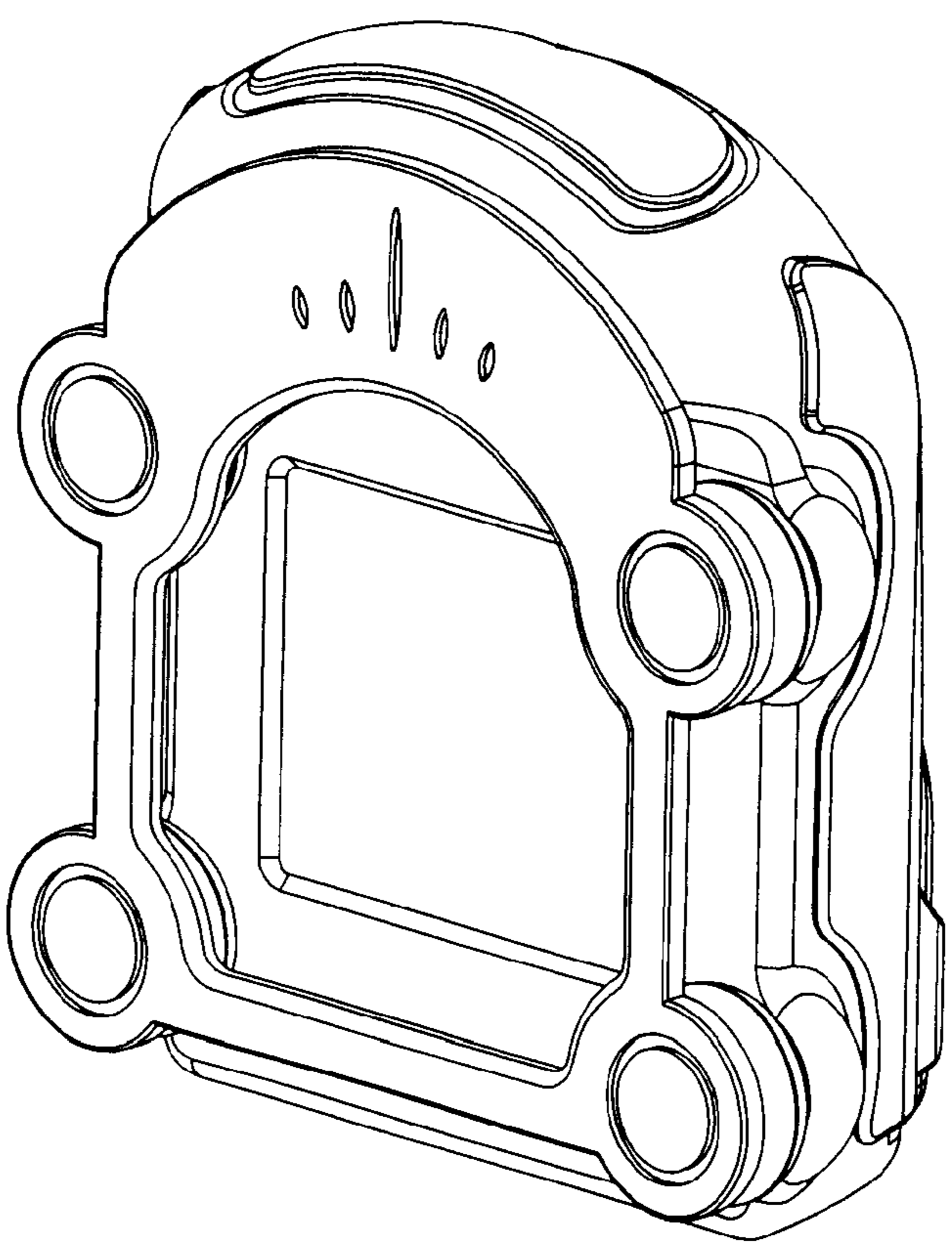
D483,360 S * 12/2003 Ma D14/371
D492,271 S * 6/2004 Esslinger et al. D14/129
D497,351 S * 10/2004 Kita D14/134
D497,885 S * 11/2004 Esslinger et al. D14/126
D502,452 S * 3/2005 Peng D14/126
D503,159 S * 3/2005 Esslinger et al. D14/129
D504,118 S * 4/2005 Esslinger et al. D14/126
D505,123 S * 5/2005 Kita D14/126
D511,345 S * 11/2005 Heatherly et al. D14/371

* cited by examiner
Primary Examiner—Raphael Barkai
(74) *Attorney, Agent, or Firm*—Troxell Law Office, PLLC

(57) **CLAIM**
The ornamental design for a television set, as shown and described.

DESCRIPTION
FIG. 1 is a perspective view of television set showing my design;
FIG. 2 is front view thereof;
FIG. 3 is a rear view thereof;
FIG. 4 is a left side view thereof;
FIG. 5 is a right side view thereof;
FIG. 6 is a top view thereof; and,
FIG. 7 is a bottom view thereof.

1 Claim, 3 Drawing Sheets



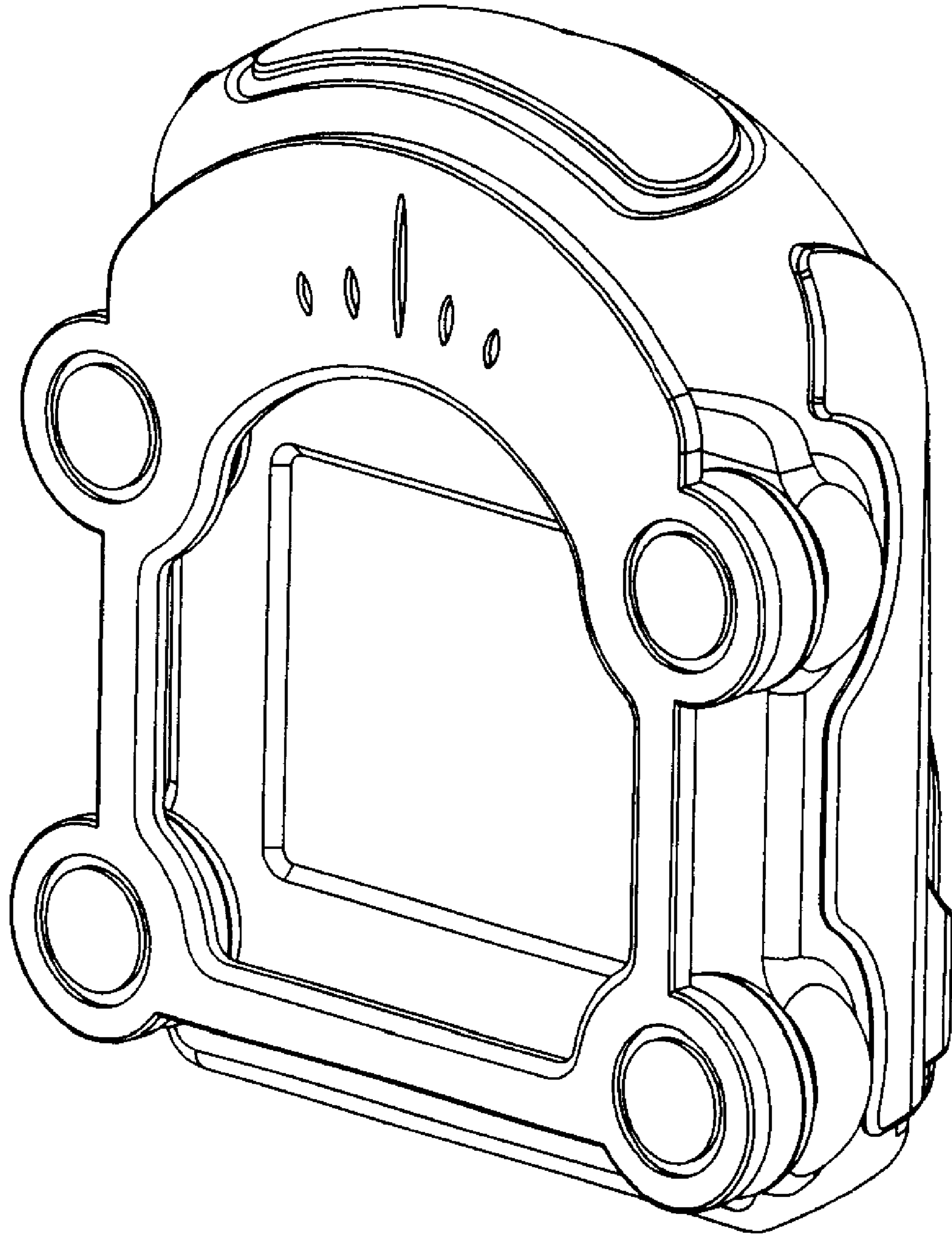


FIG. 1

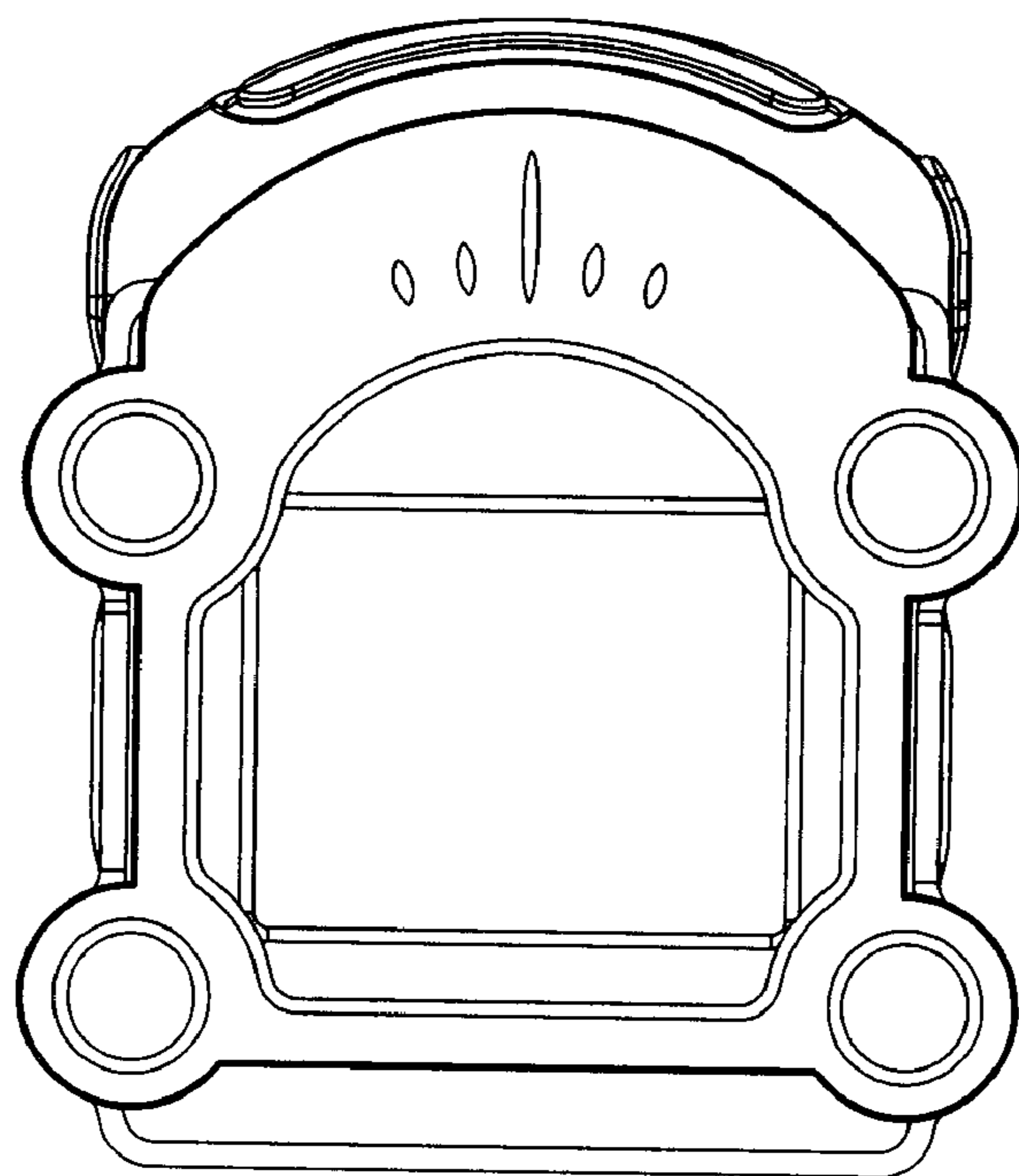


FIG. 2

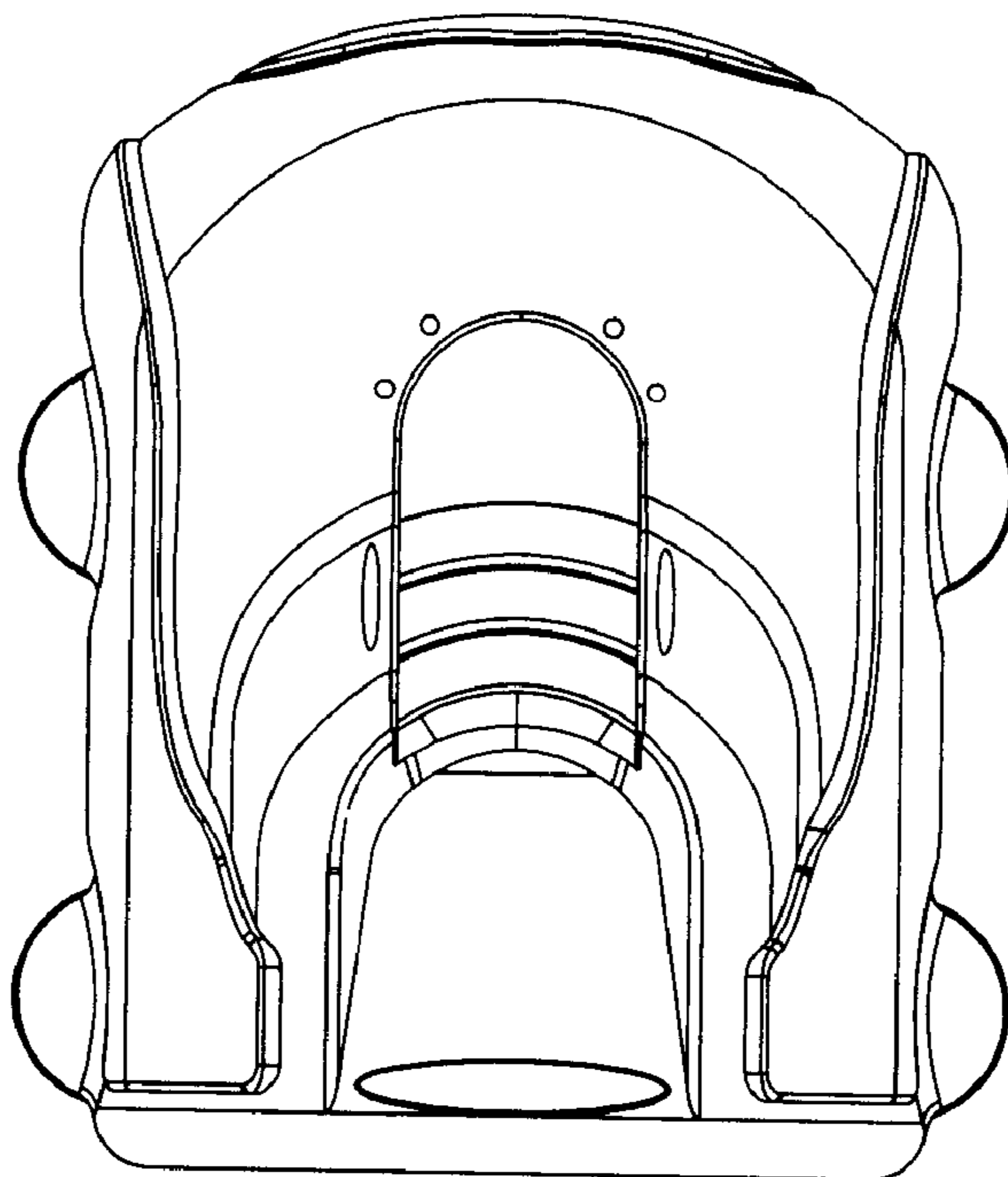


FIG. 3

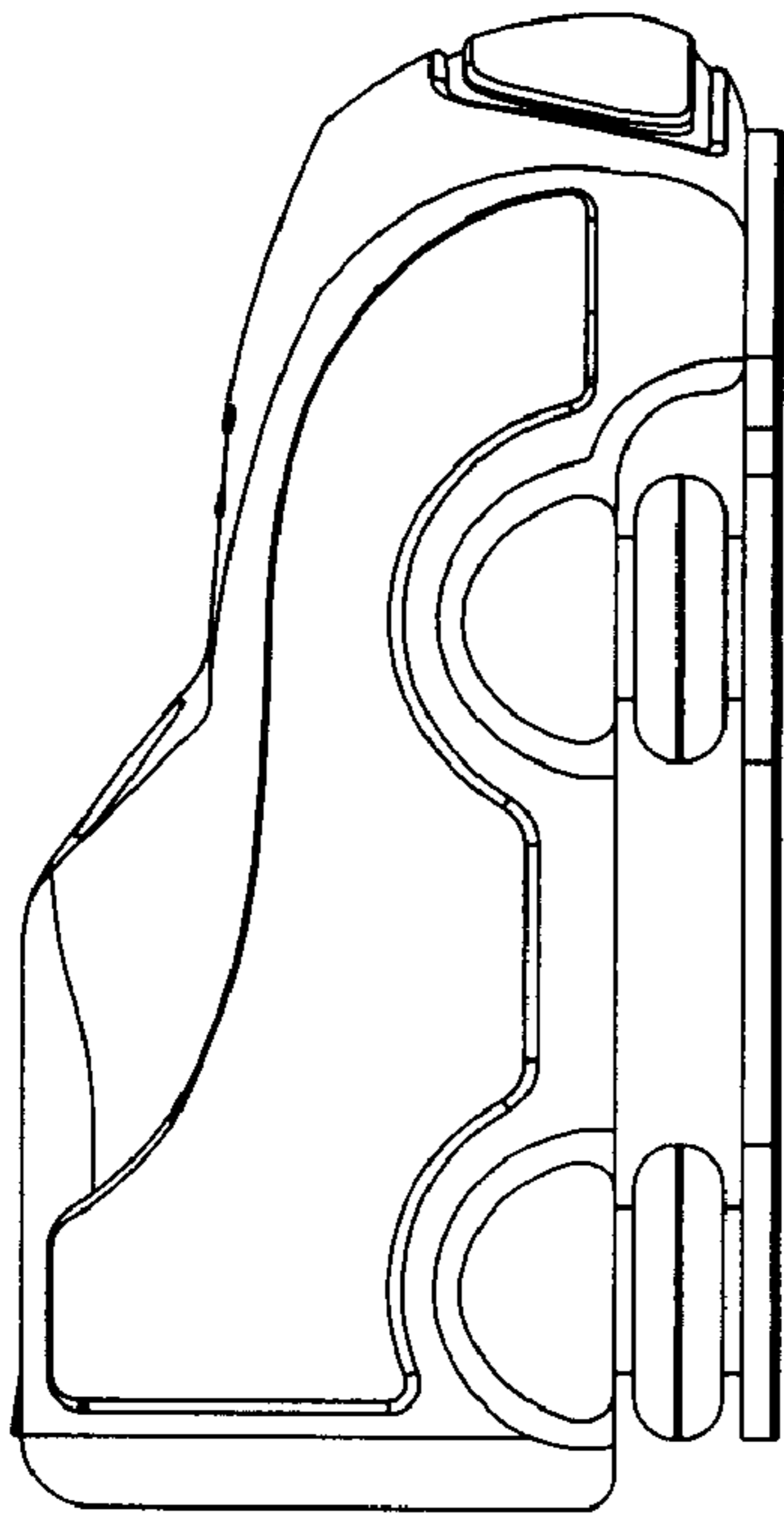


FIG. 4

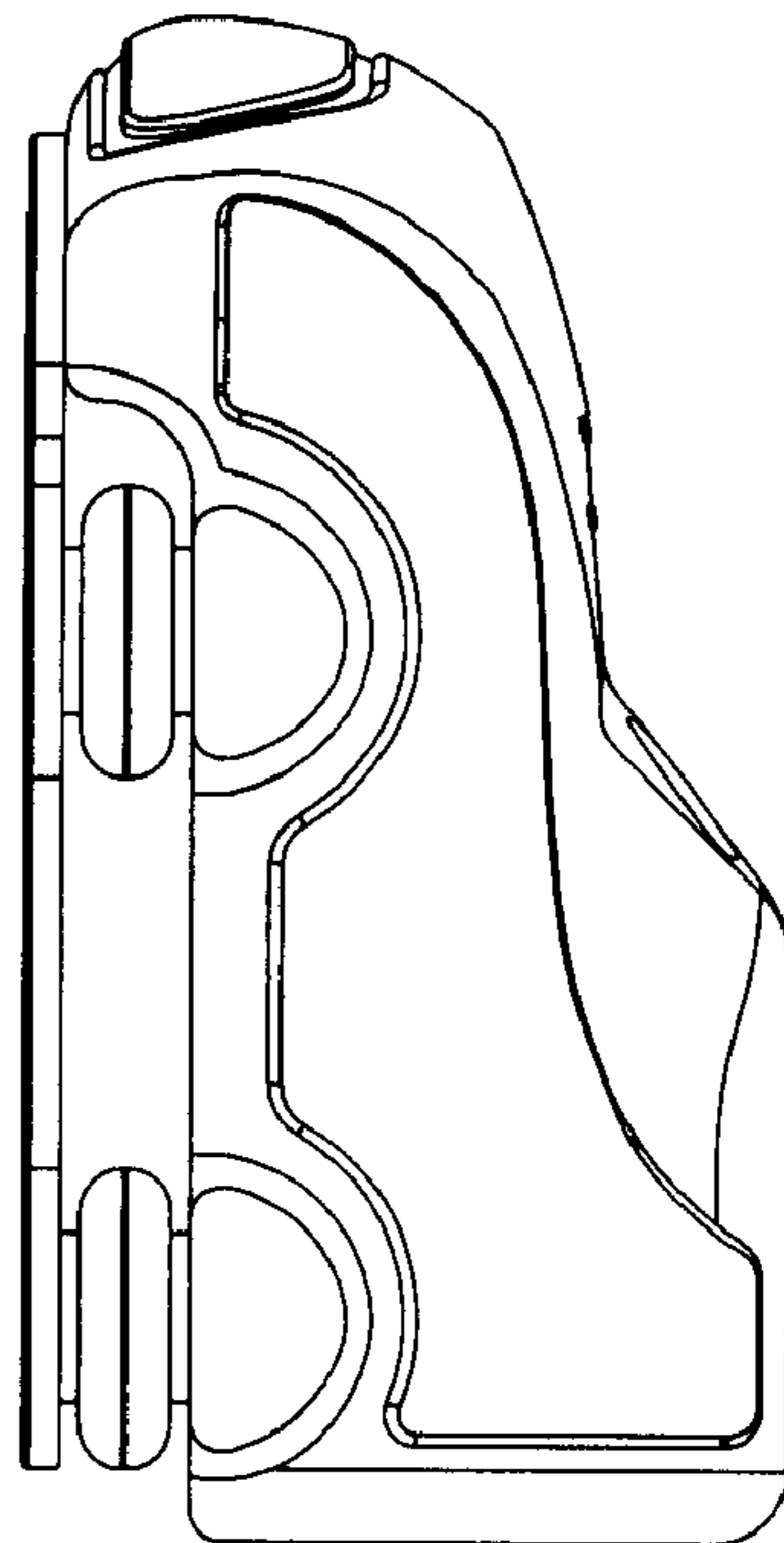


FIG. 5

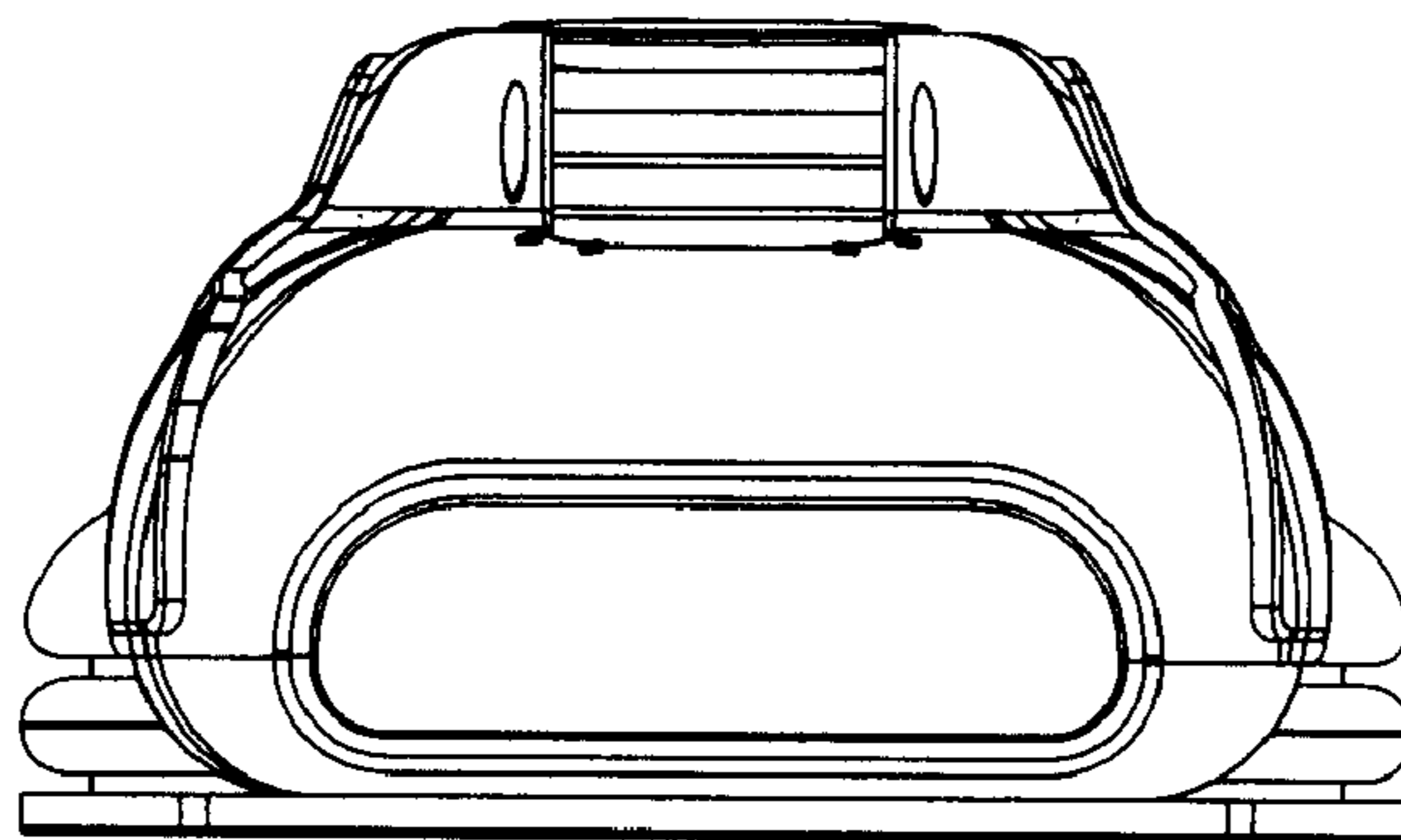


FIG. 6

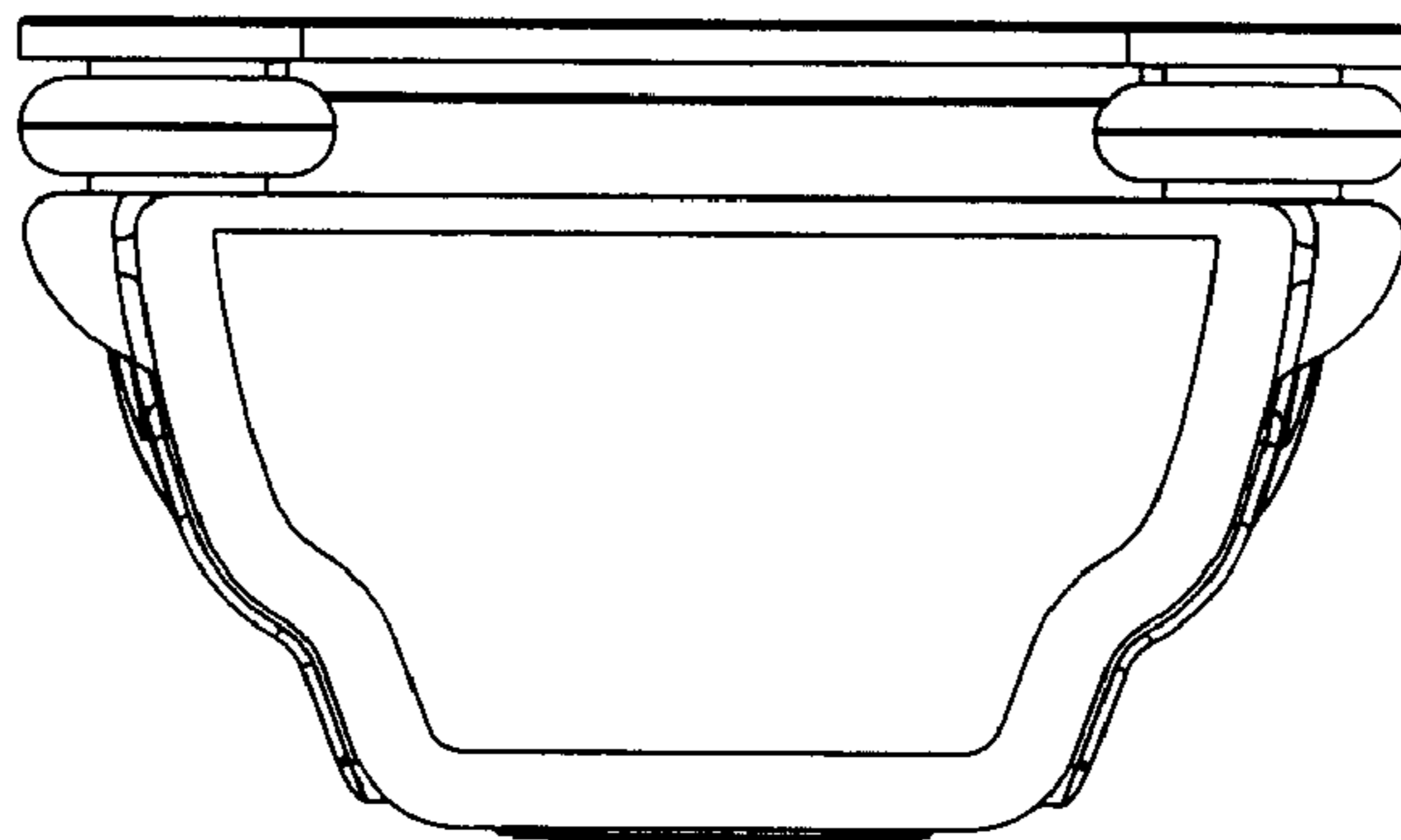


FIG. 7