



US00D527346S

(12) **United States Design Patent**
Brodin

(10) **Patent No.:** **US D527,346 S**

(45) **Date of Patent:** **** Aug. 29, 2006**

(54) **CONNECTOR FOR MULTI-CONDUCTOR CABLE**

(75) Inventor: **Hans Karl Johan Brodin**, Enebyberg (SE)

(73) Assignee: **Atlas Copco Tools AB**, Nacka (SE)

(**) Term: **14 Years**

(21) Appl. No.: **29/252,528**

(22) Filed: **Jan. 24, 2006**

Related U.S. Application Data

(62) Division of application No. 29/183,273, filed on Jun. 9, 2003.

(30) **Foreign Application Priority Data**

Dec. 9, 2002 (SE) 021757

(51) **LOC (8) Cl.** **13-03**

(52) **U.S. Cl.** **D13/146; D13/147**

(58) **Field of Classification Search** D13/133, D13/146, 147, 149, 154, 184, 199; 174/88 C; 439/314-316, 359, 362, 372
See application file for complete search history.

(56) **References Cited**

U.S. PATENT DOCUMENTS

2,386,177 A 10/1945 Andersen

4,255,007 A	3/1981	Michaels et al.
D265,189 S	6/1982	Eriksson et al.
4,795,360 A	1/1989	Newman et al.
D320,001 S	9/1991	Hirabayashi
5,064,268 A	11/1991	Morency et al.
D334,172 S	3/1993	Wilcoxon
D413,100 S	8/1999	Nakazawa
D420,644 S	2/2000	Nemser et al.
D436,077 S	1/2001	Cheng
D499,071 S	11/2004	Conway et al.
D505,918 S	6/2005	Conway et al.

Primary Examiner—Stella Reid

Assistant Examiner—Daniel Bui

(74) *Attorney, Agent, or Firm*—Frishuaf, Holtz, Goodman & Chick, P.C.

(57) **CLAIM**

The ornamental design for a connector for multi-conductor cable, as shown.

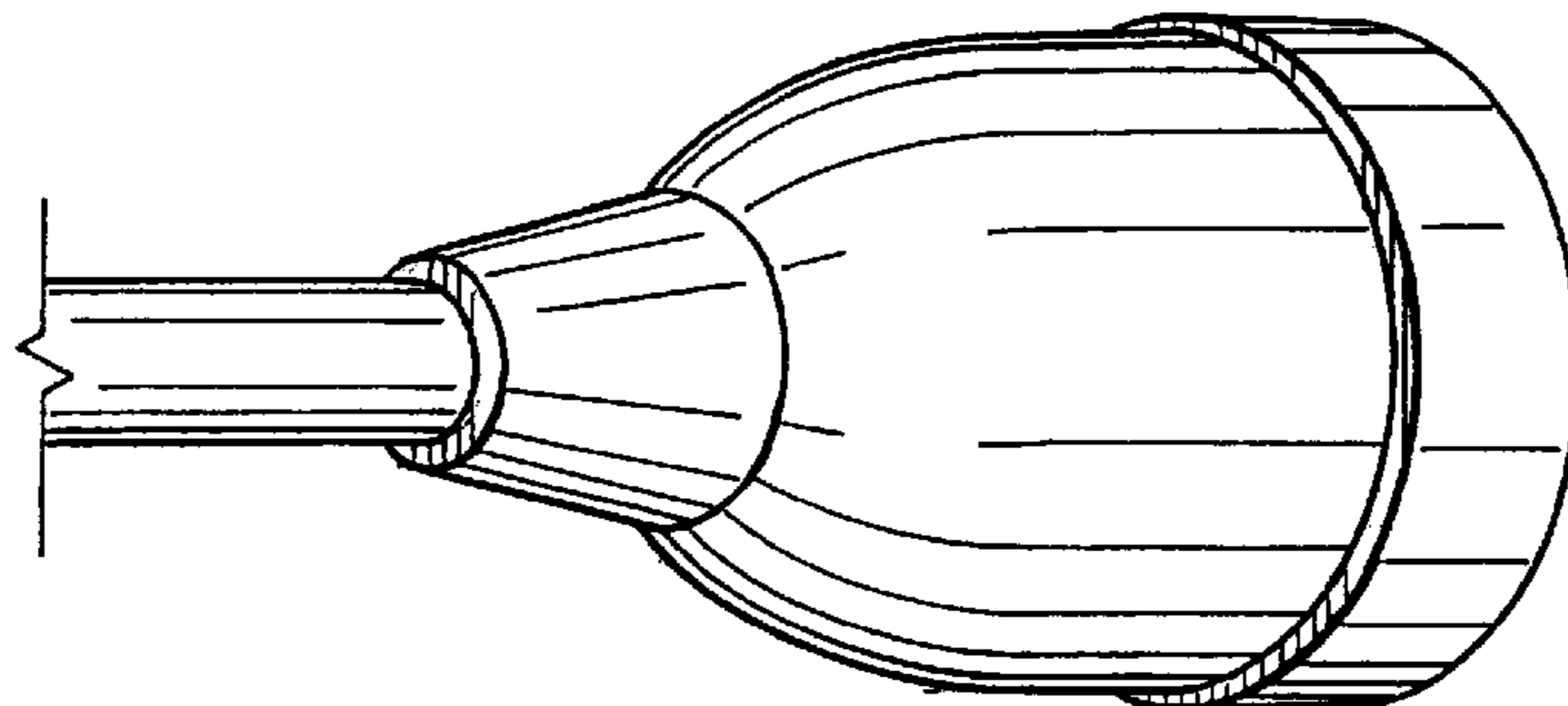
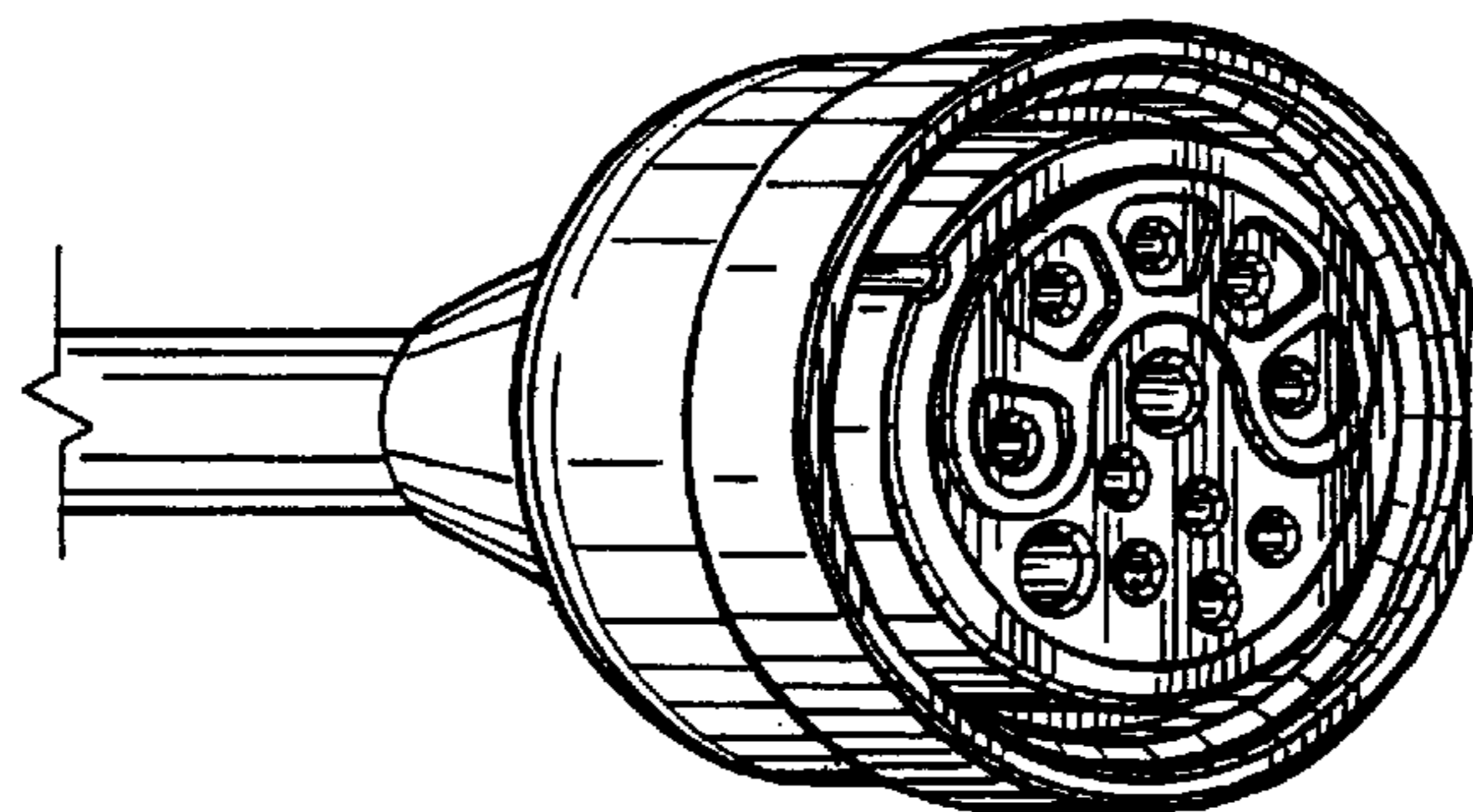
DESCRIPTION

FIG. 1 is a front perspective view of a connector for multi-conductor cable, showing my new design;

FIG. 2 is a front elevational view thereof; and,

FIG. 3 is a rear perspective view thereof.

1 Claim, 1 Drawing Sheet



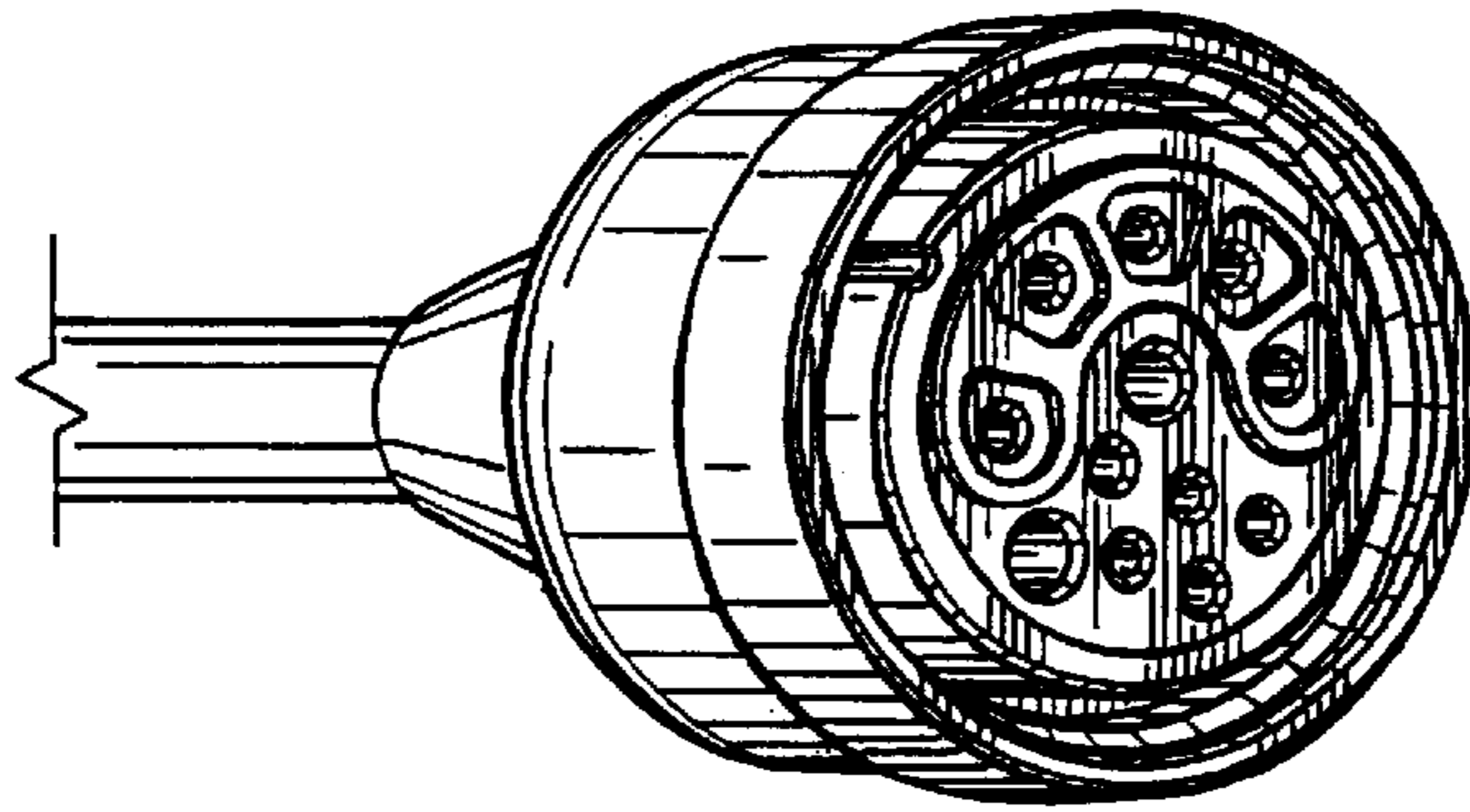


Fig. 1

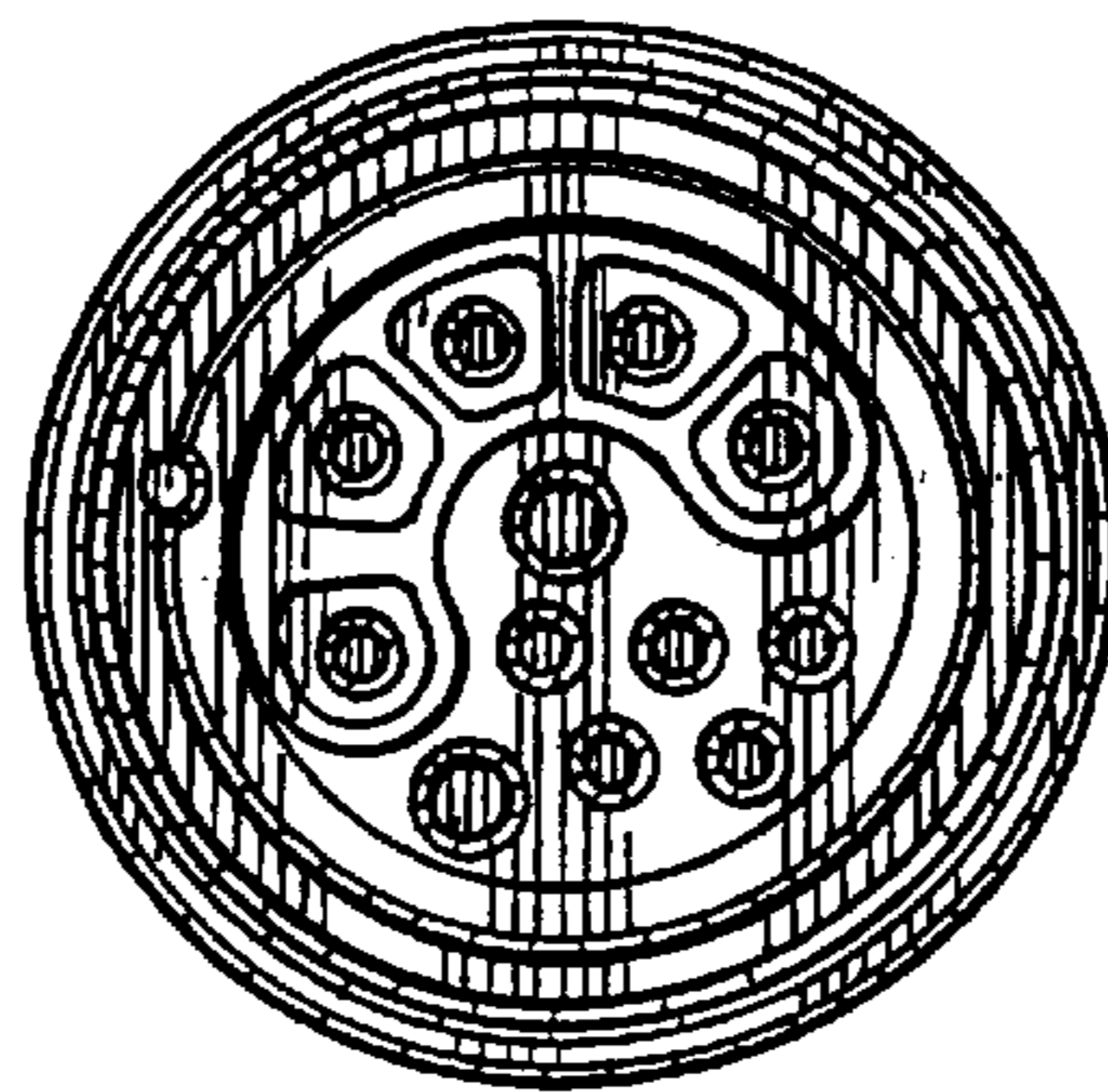


Fig. 2

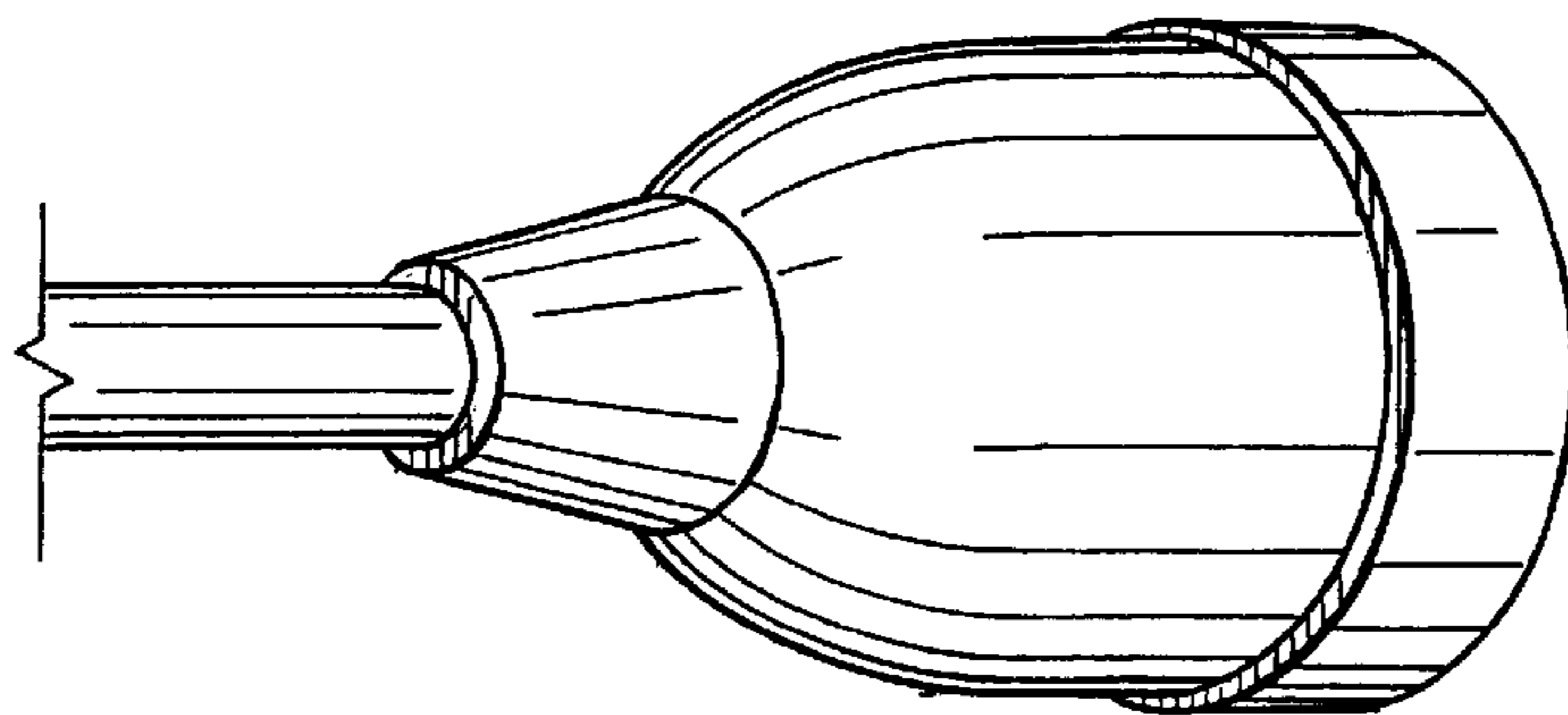


Fig. 3