



US00D527345S

(12) **United States Design Patent**
Zhang

(10) **Patent No.:** **US D527,345 S**

(45) **Date of Patent:** **** Aug. 29, 2006**

(54) **POWER CONNECTOR**

(75) Inventor: **Hongbo Zhang**, Kunsan (CN)

(73) Assignee: **Hon Hai Precision Ind. Co., Ltd.**,
Taipei Hsien (TW)

(**) Term: **14 Years**

(21) Appl. No.: **29/232,246**

(22) Filed: **Jun. 15, 2005**

(30) **Foreign Application Priority Data**

Dec. 15, 2004 (CN) 200430054956

(51) **LOC (8) Cl.** **13-03**

(52) **U.S. Cl.** **D13/133**

(58) **Field of Classification Search** D13/133,
D13/146-147, 154, 199; 439/63, 108, 352,
439/357, 358, 608, 731
See application file for complete search history.

(56) **References Cited**

U.S. PATENT DOCUMENTS

D318,718 S	*	7/1991	Blatt	D23/262
5,254,010 A	*	10/1993	Davis	439/108
5,382,177 A	*	1/1995	Hutchinson et al.	439/358
5,611,711 A	*	3/1997	Okada et al.	439/608
5,676,569 A	*	10/1997	Davis	439/731
6,062,892 A	*	5/2000	Meng et al.	439/357

6,547,584 B1	*	4/2003	Myer et al.	439/352
D474,447 S	*	5/2003	Kano	D13/133
D475,014 S	*	5/2003	Kano	D13/133
6,575,761 B1	*	6/2003	Regnier	439/63

FOREIGN PATENT DOCUMENTS

TW 537687 6/2003

* cited by examiner

Primary Examiner—Stella Reid

Assistant Examiner—Daniel Bui

(74) *Attorney, Agent, or Firm*—Wei Te Chung

(57) **CLAIM**

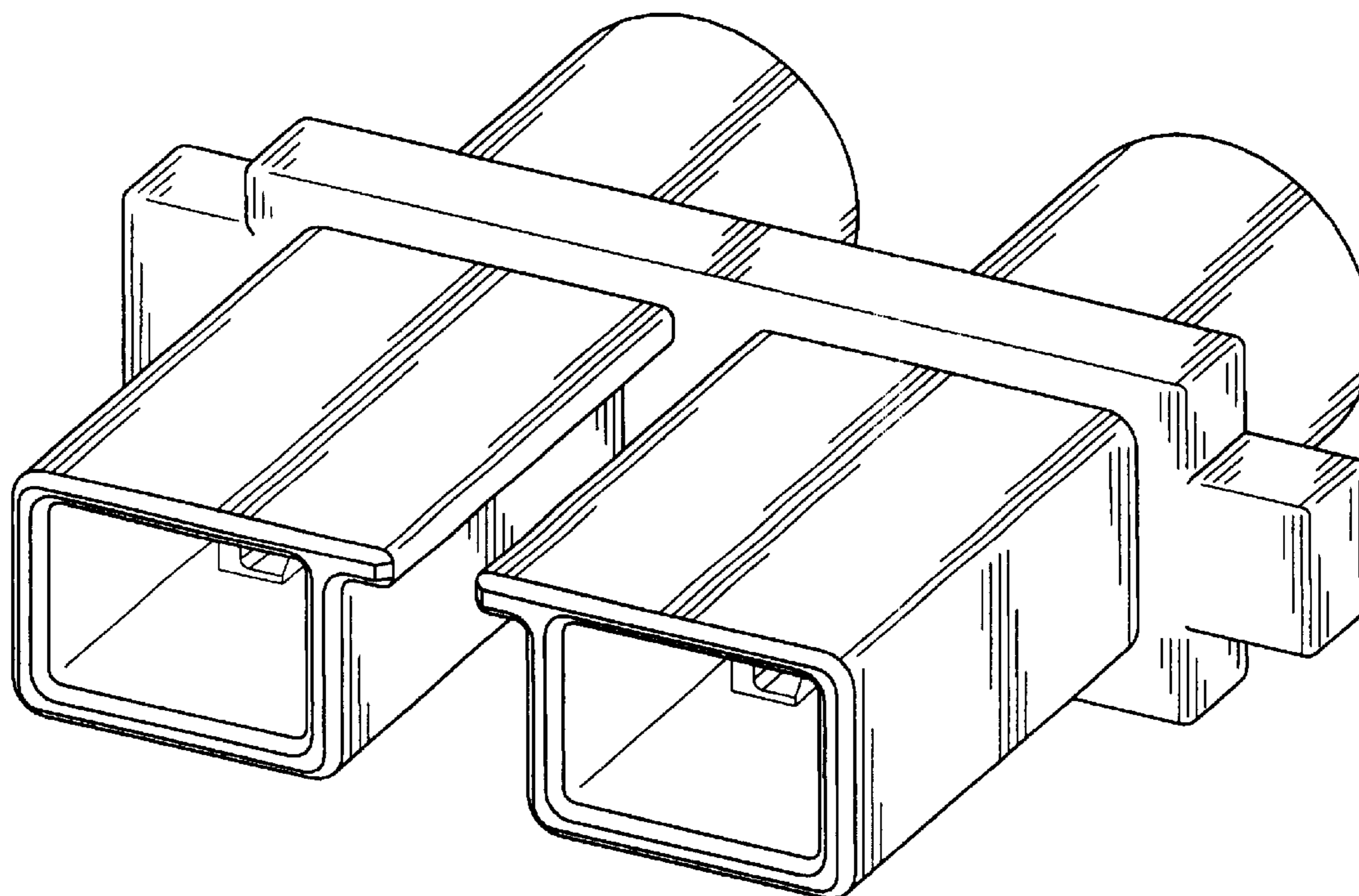
The ornamental designs for a power connector, as shown and described.

DESCRIPTION

FIG. 1 is a front, top and right side perspective view of a power connector showing my new design; FIG. 2 is a front elevational view thereof; FIG. 3 is a rear elevational view thereof; FIG. 4 is a left side elevational view thereof; FIG. 5 is a right side elevational view thereof; FIG. 6 is a top plan view thereof; and, FIG. 7 is a bottom plan view thereof.

The broken line showing of the environment is for illustrative purposes only and forms no part of the claimed design.

1 Claim, 7 Drawing Sheets



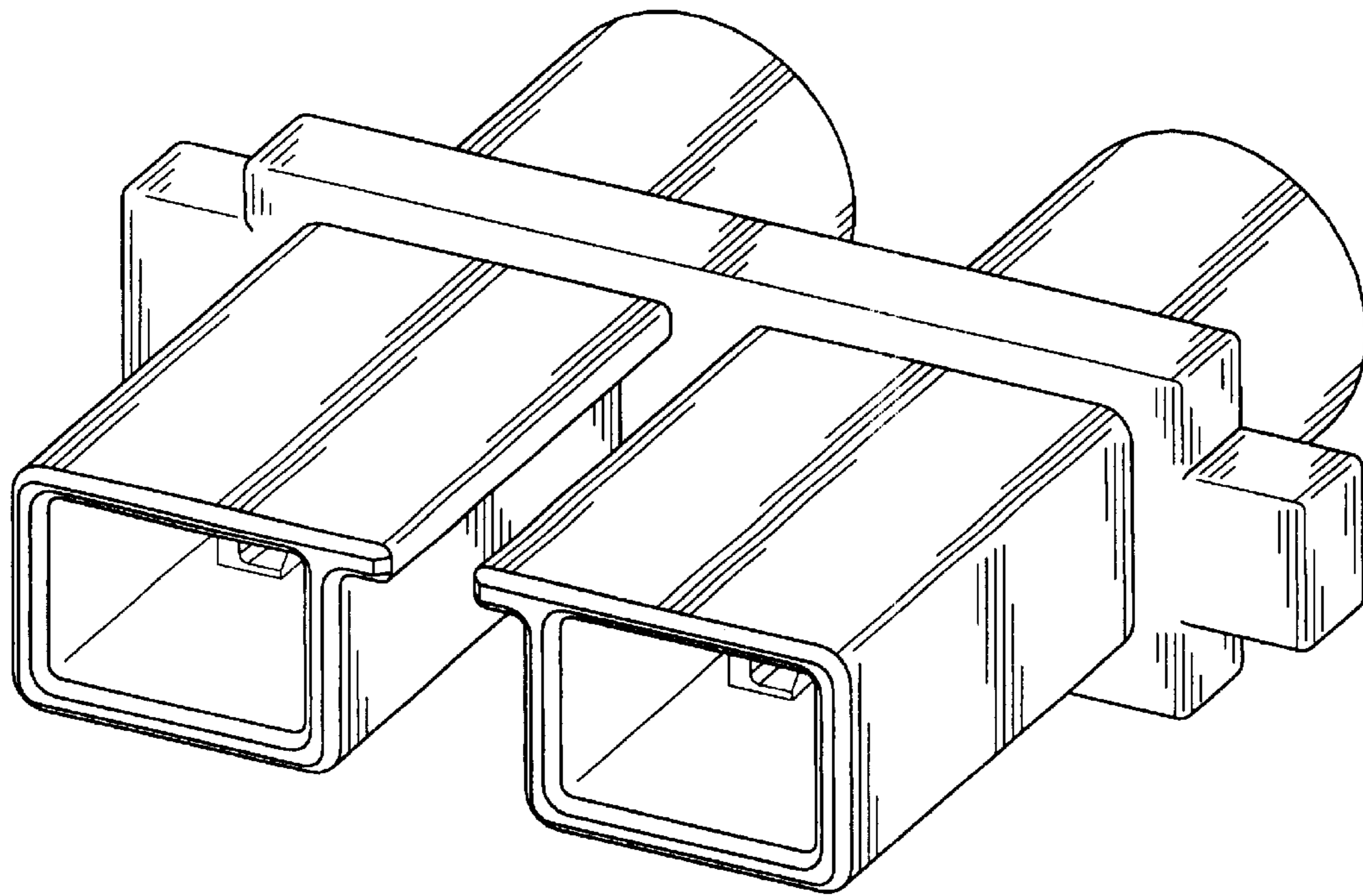


FIG. 1

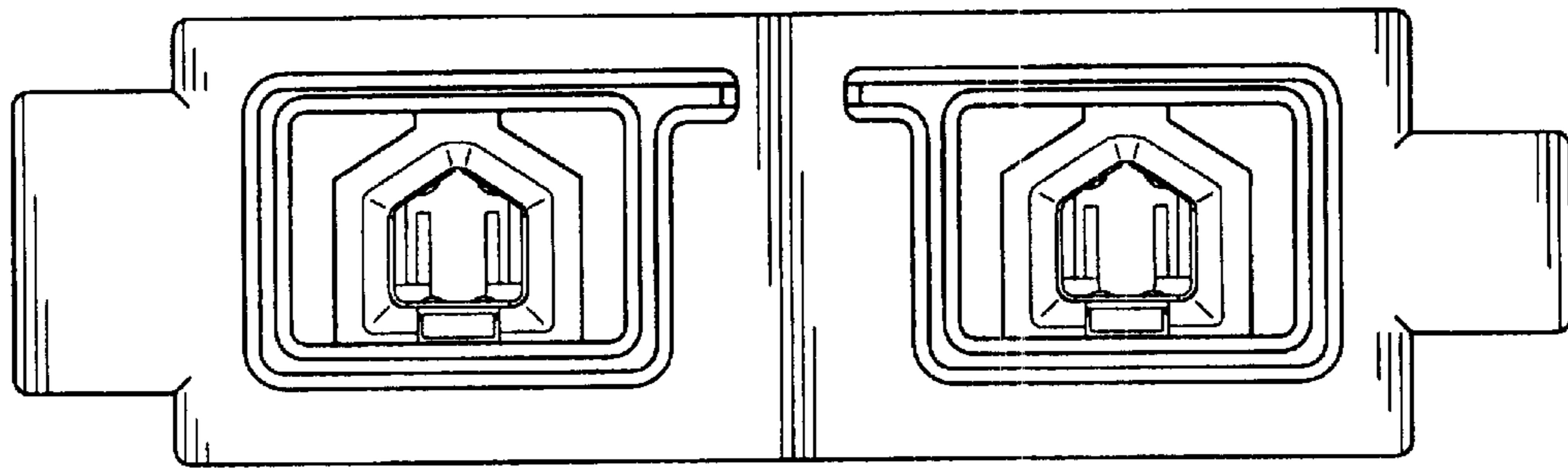


FIG. 2

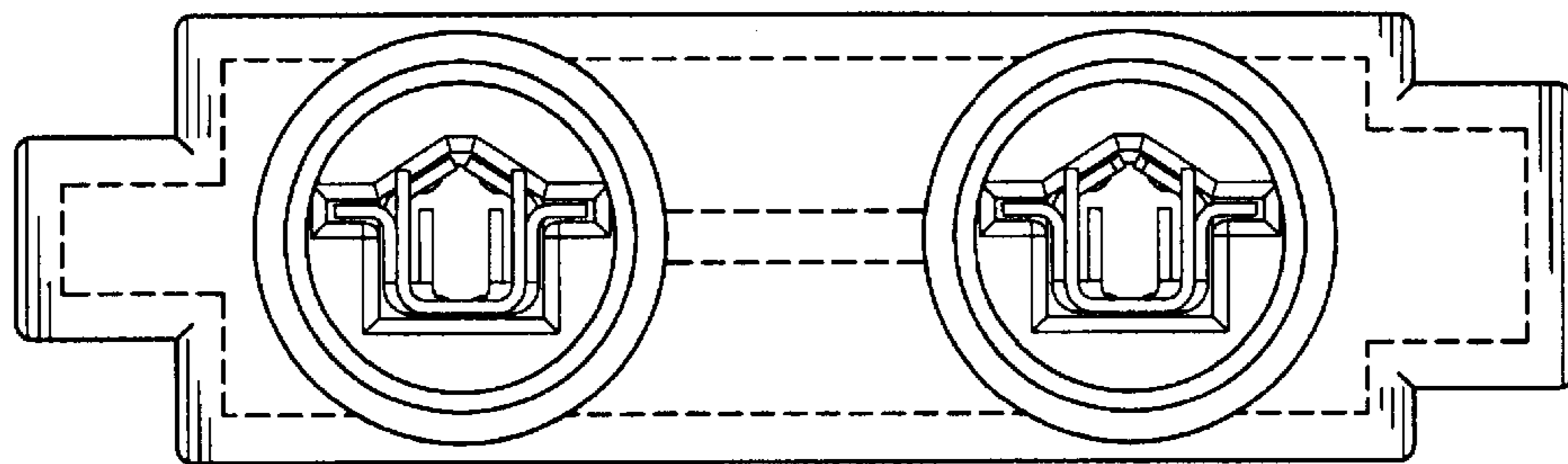


FIG. 3

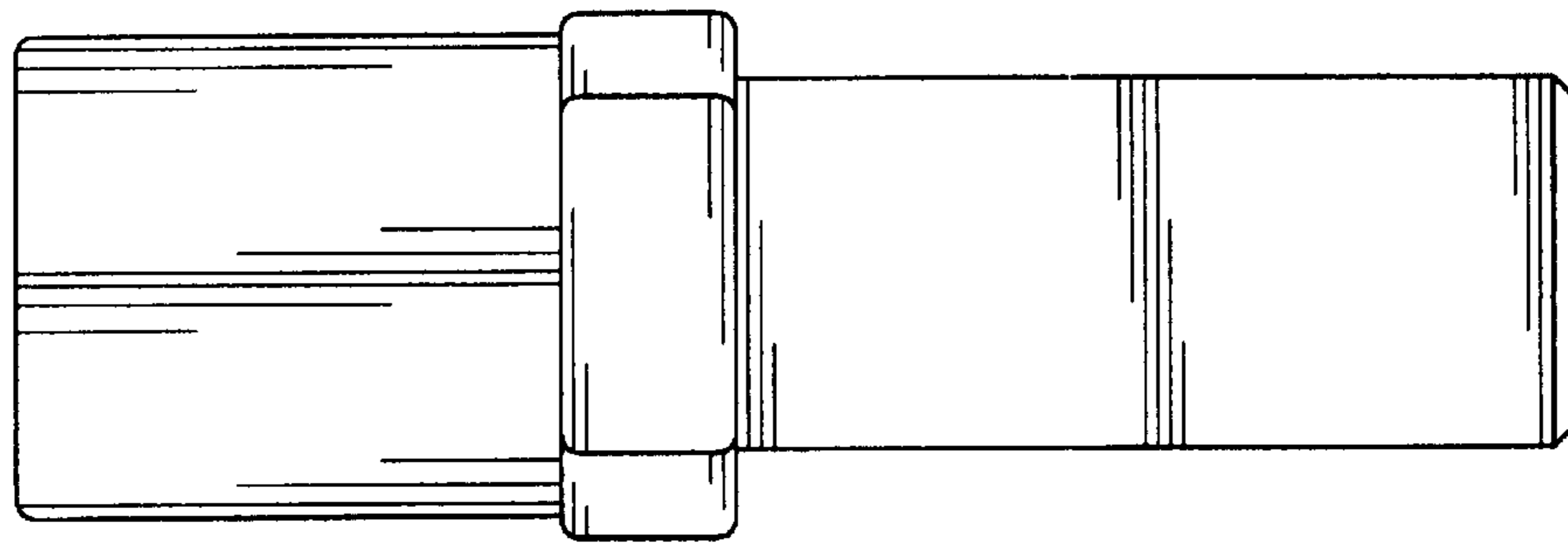


FIG. 4

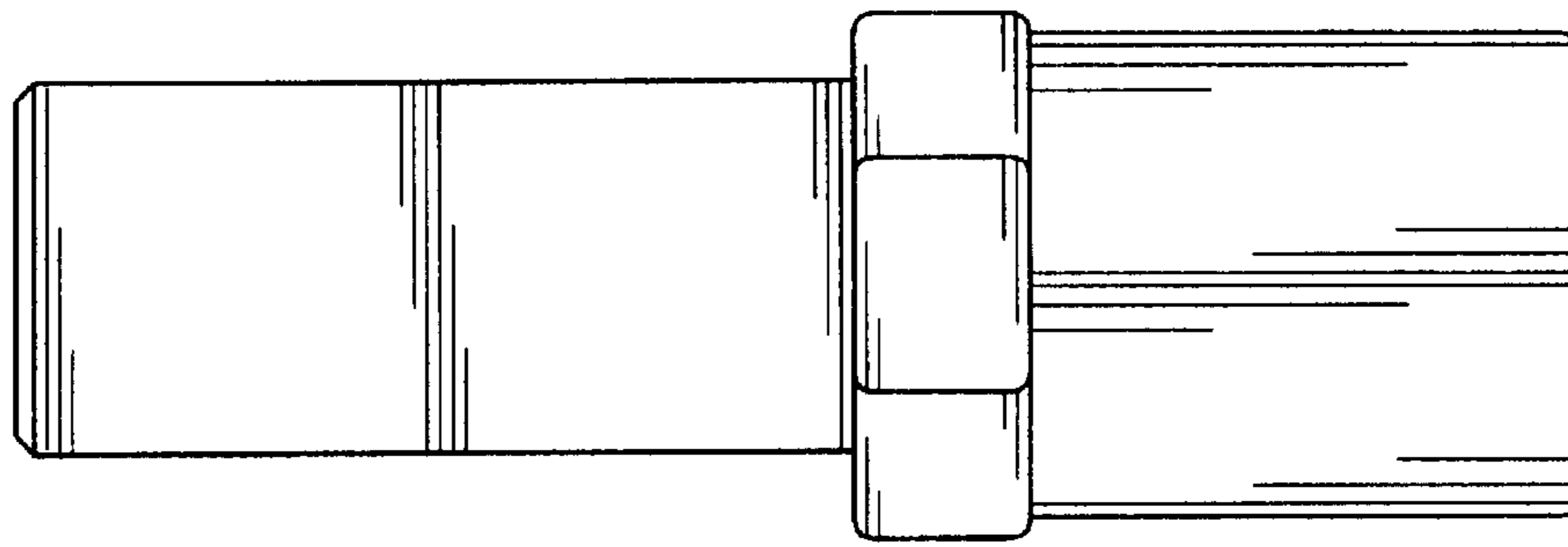


FIG. 5

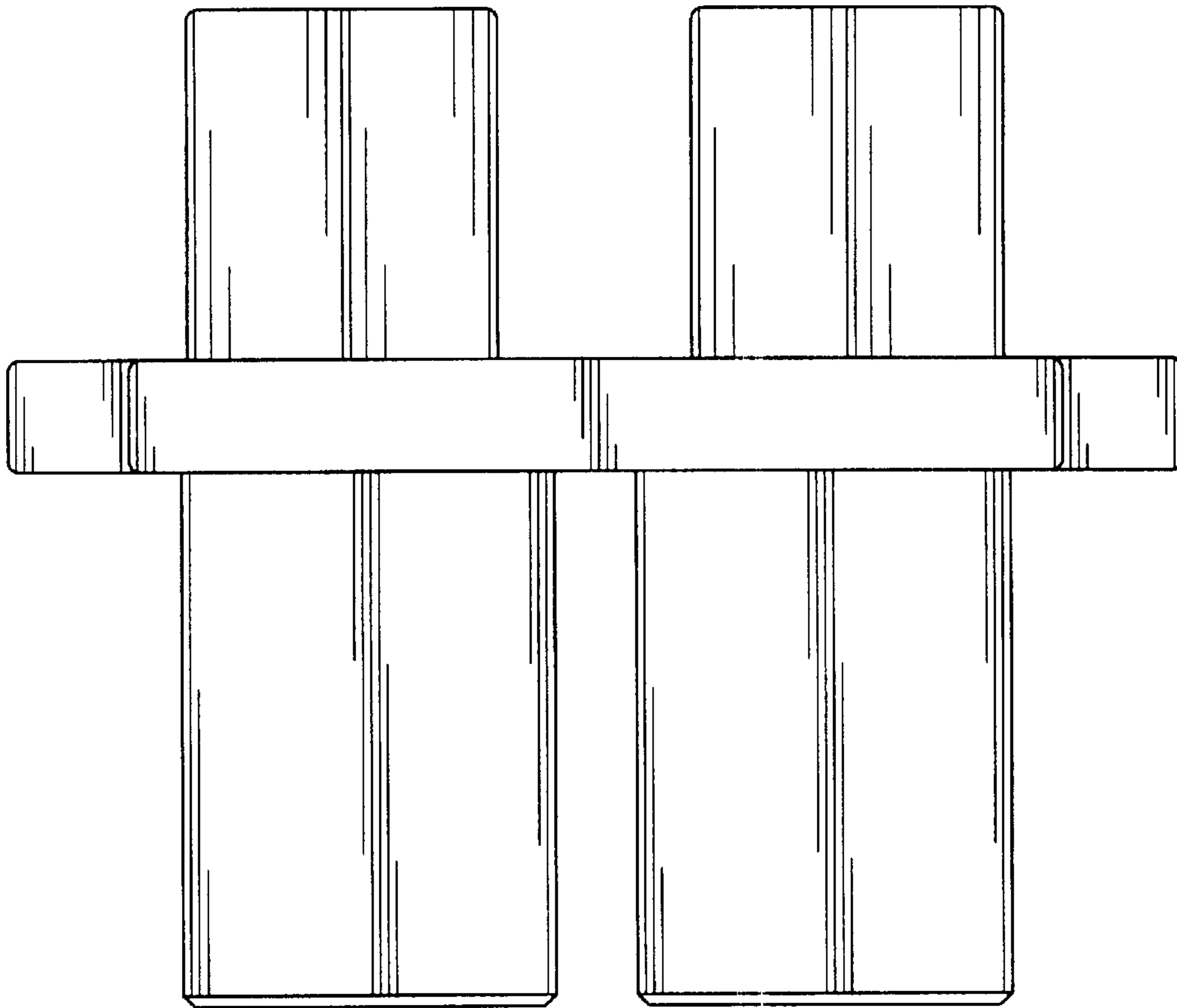


FIG. 6

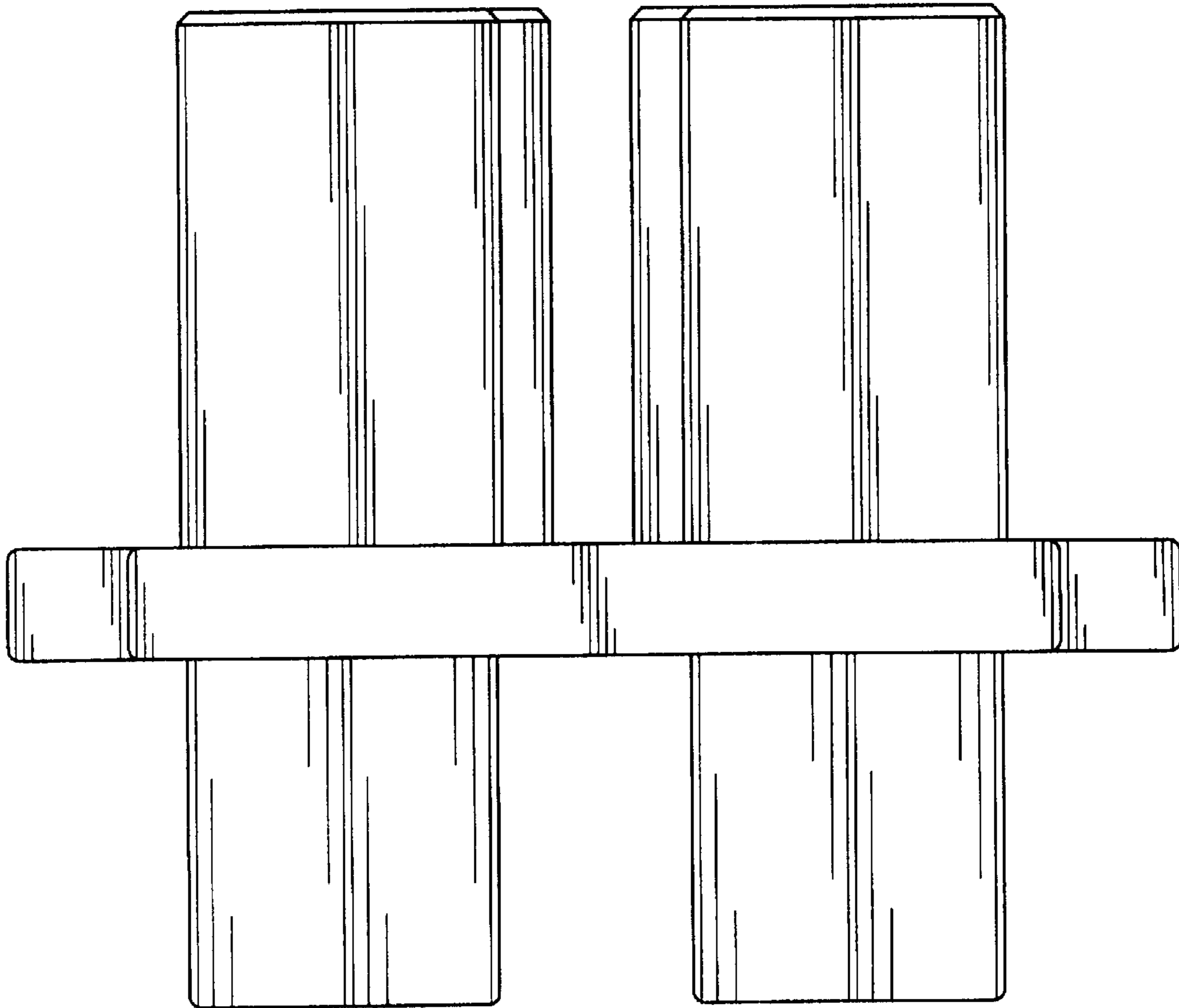


FIG. 7