

US00D527342S

(12) **United States Design Patent**
Krieger et al.

(10) **Patent No.:** **US D527,342 S**

(45) **Date of Patent:** **** Aug. 29, 2006**

(54) **JUMP STARTER, AC/DC POWER STATION,
AND INFLATOR**

(75) Inventors: **Michael Krieger**, Miami Beach, FL
(US); **Kevin Ellsworth**, Hollywood, FL
(US)

(73) Assignee: **Vector Products, Inc.**, Ft. Lauderdale,
FL (US)

(**) Term: **14 Years**

(21) Appl. No.: **29/216,269**

(22) Filed: **Nov. 1, 2004**

(51) **LOC (8) Cl.** **13-02**

(52) **U.S. Cl.** **D13/107**

(58) **Field of Classification Search** D13/106-110,
D13/118, 184; D14/251, 253; 320/103-105,
320/107-115

See application file for complete search history.

(56) **References Cited**

U.S. PATENT DOCUMENTS

D483,326 S	*	12/2003	Krieger et al.	D13/107
D486,446 S	*	2/2004	Hriscu et al.	D13/110
D491,139 S	*	6/2004	Krieger et al.	D13/107
D491,141 S	*	6/2004	Krieger et al.	D13/107
D493,421 S	*	7/2004	Krieger et al.	D13/107
D493,770 S	*	8/2004	Krieger et al.	D13/107
D503,148 S	*	3/2005	Krieger et al.	D13/107
D505,388 S	*	5/2005	Krieger et al.	D13/107
D506,723 S	*	6/2005	Krieger et al.	D13/107

D506,724 S	*	6/2005	Hriscu et al.	D13/107
D506,975 S	*	7/2005	Krieger et al.	D13/107
D508,675 S	*	8/2005	Krieger et al.	D13/107
D511,491 S	*	11/2005	Hriscu et al.	D13/107

* cited by examiner

Primary Examiner—Alan P. Douglas

Assistant Examiner—Rosemary K. Tarcza

(74) *Attorney, Agent, or Firm*—Venable LLP; Robert
Kinberg; Manni Li

(57) **CLAIM**

The ornamental design for a jump starter, AC/DC power
station, and inflator, as shown and described.

DESCRIPTION

FIG. 1 is a perspective view from the front-top-left side of
the jump starter, AC/DC power station, and inflator showing
our new design;

FIG. 2 is a front view of the design shown in FIG. 1;

FIG. 3 is a rear view of the design shown in FIG. 1;

FIG. 4 is a left side view of the design shown in FIG. 1;

FIG. 5 is a right side view of the design shown in FIG. 1;

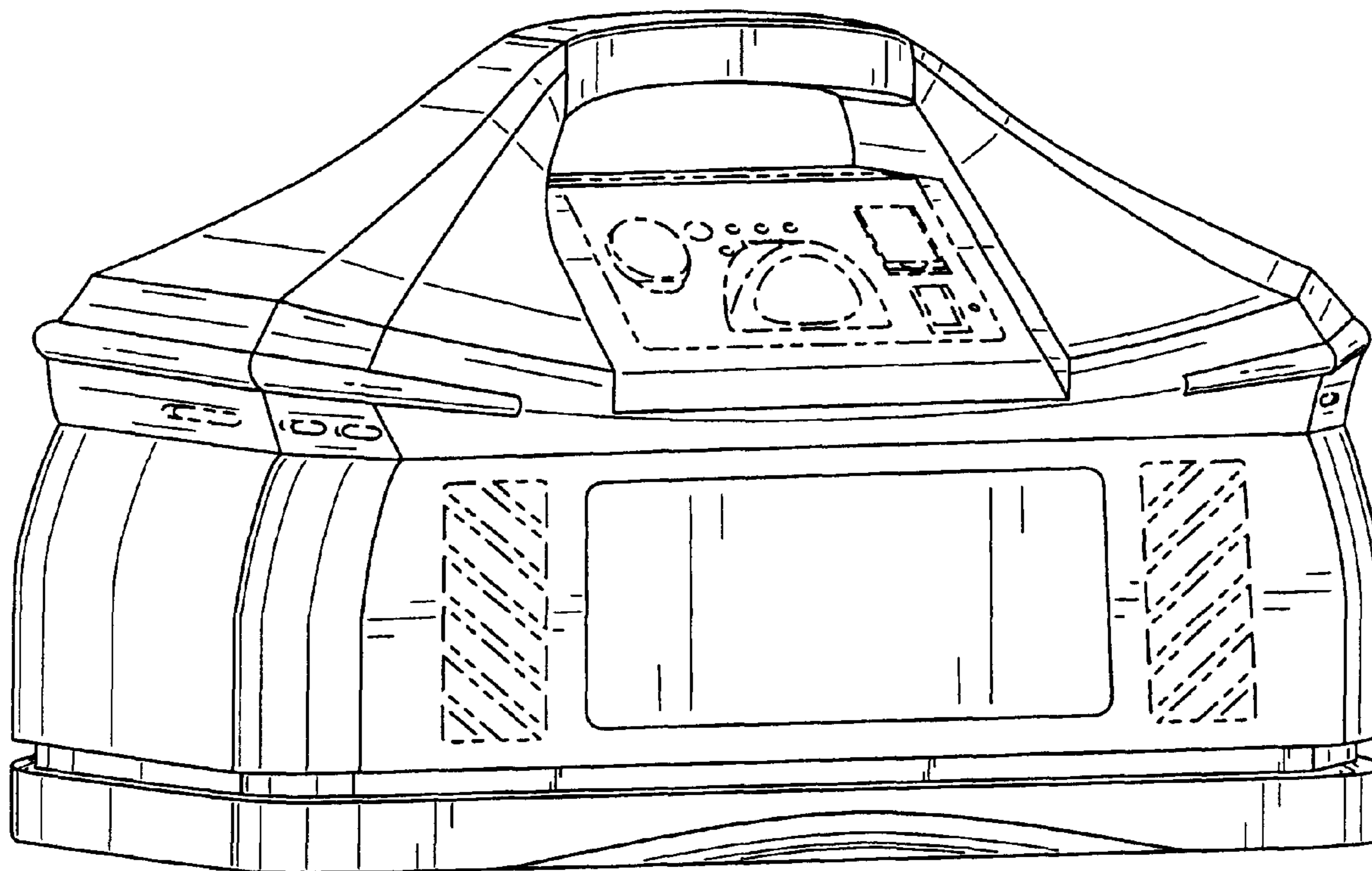
FIG. 6 is a top view of the design shown in FIG. 1;

FIG. 7 is a bottom view of the design shown in FIG. 1; and,

FIG. 8 is a rear view as shown in FIG. 3 with the clamps in
broken lines in a different position.

The broken lines immediately adjacent the shaded areas
represent the bounds of the claimed design while all other
broken lines are for illustrative purposes only; the broken
lines form no part of the claimed design.

1 Claim, 8 Drawing Sheets



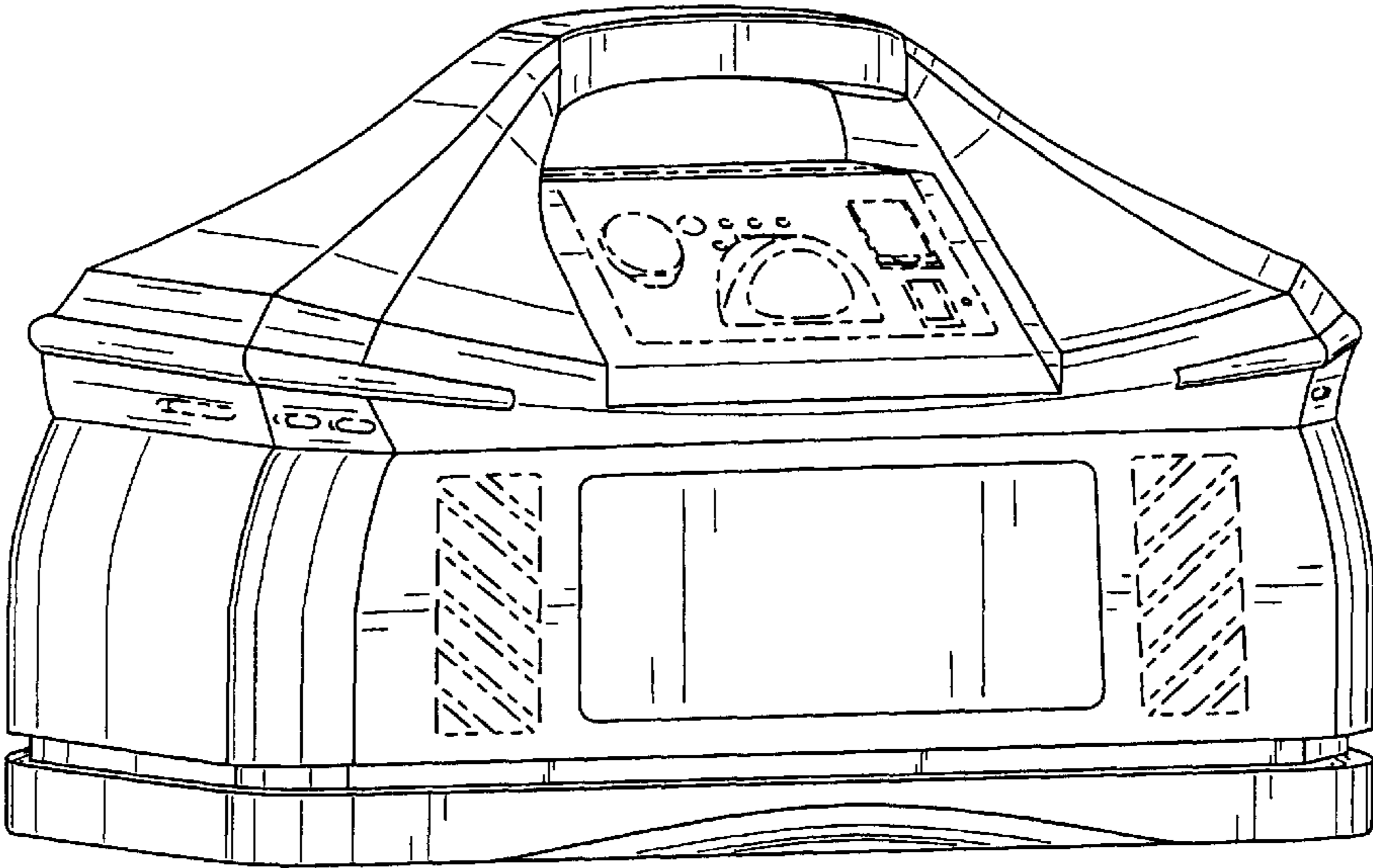


FIG. 1

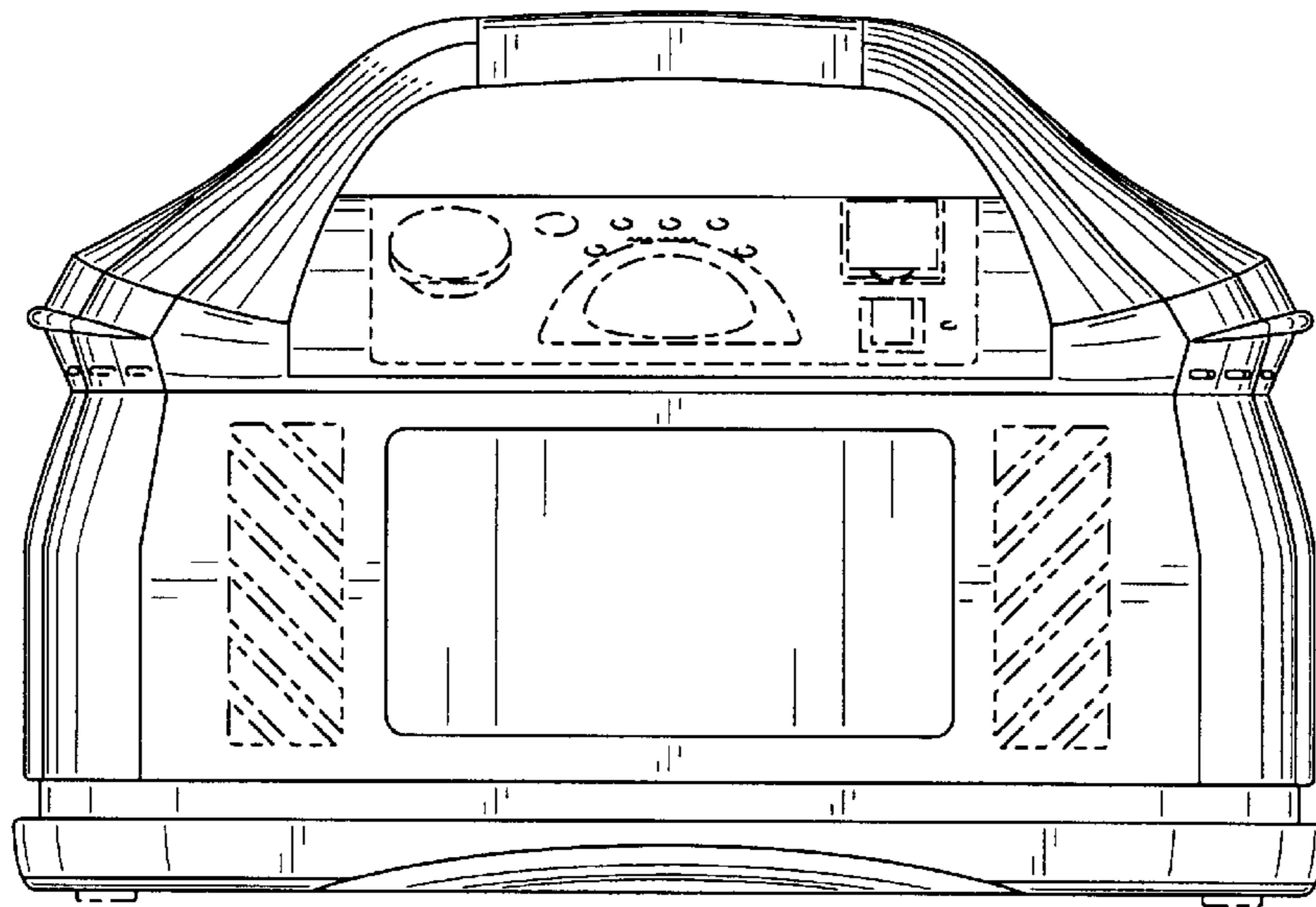


FIG. 2

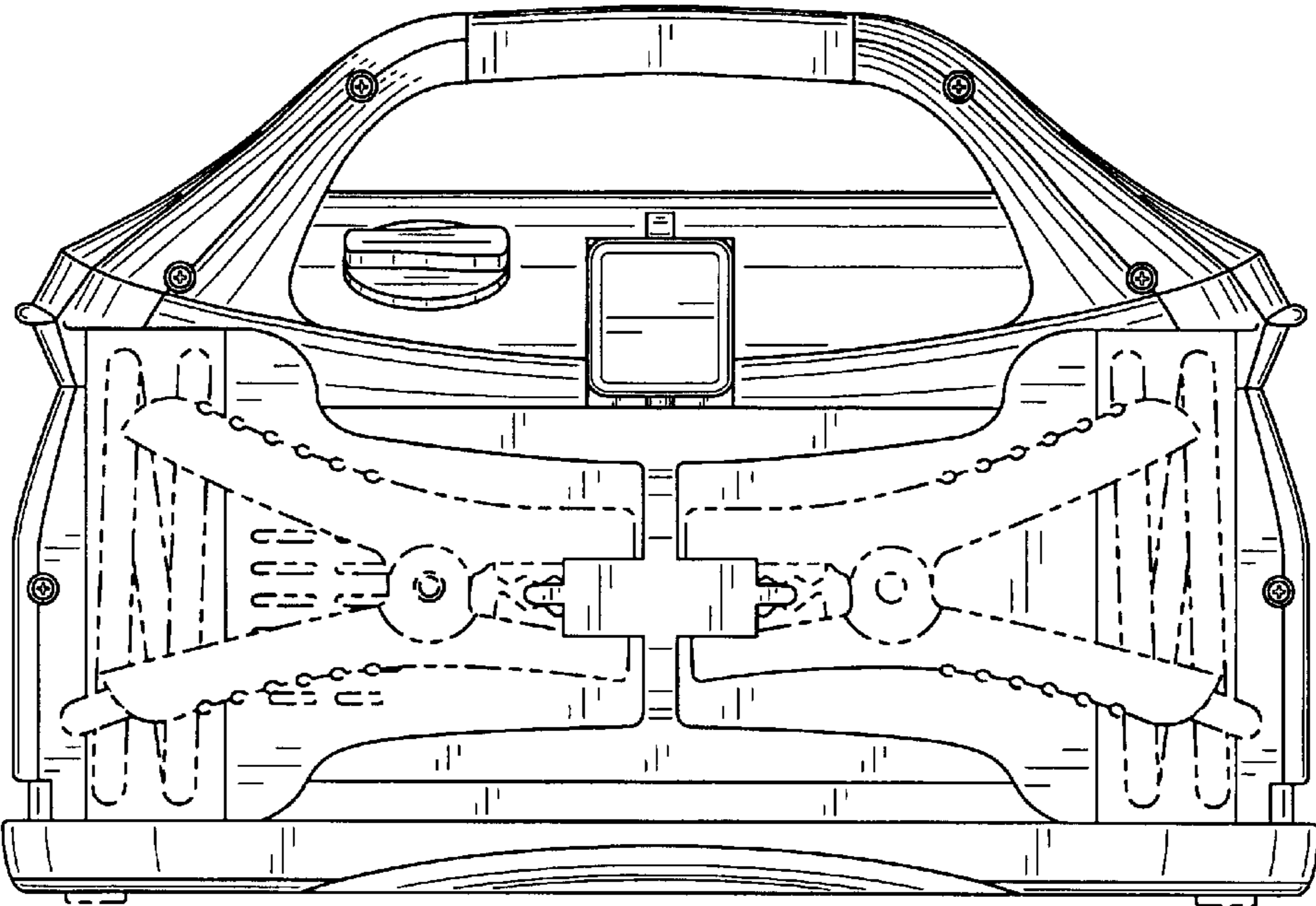


FIG. 3

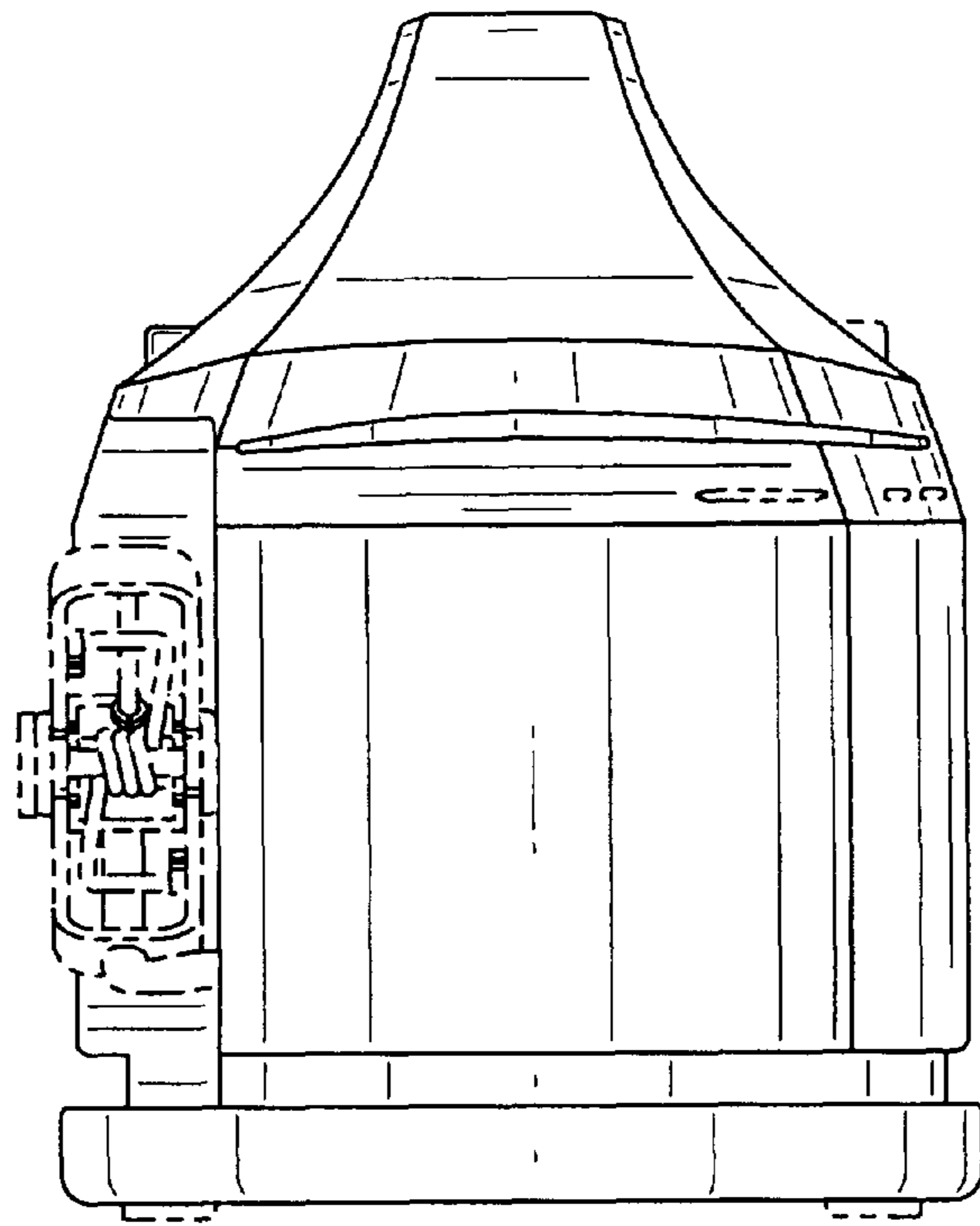


FIG. 4

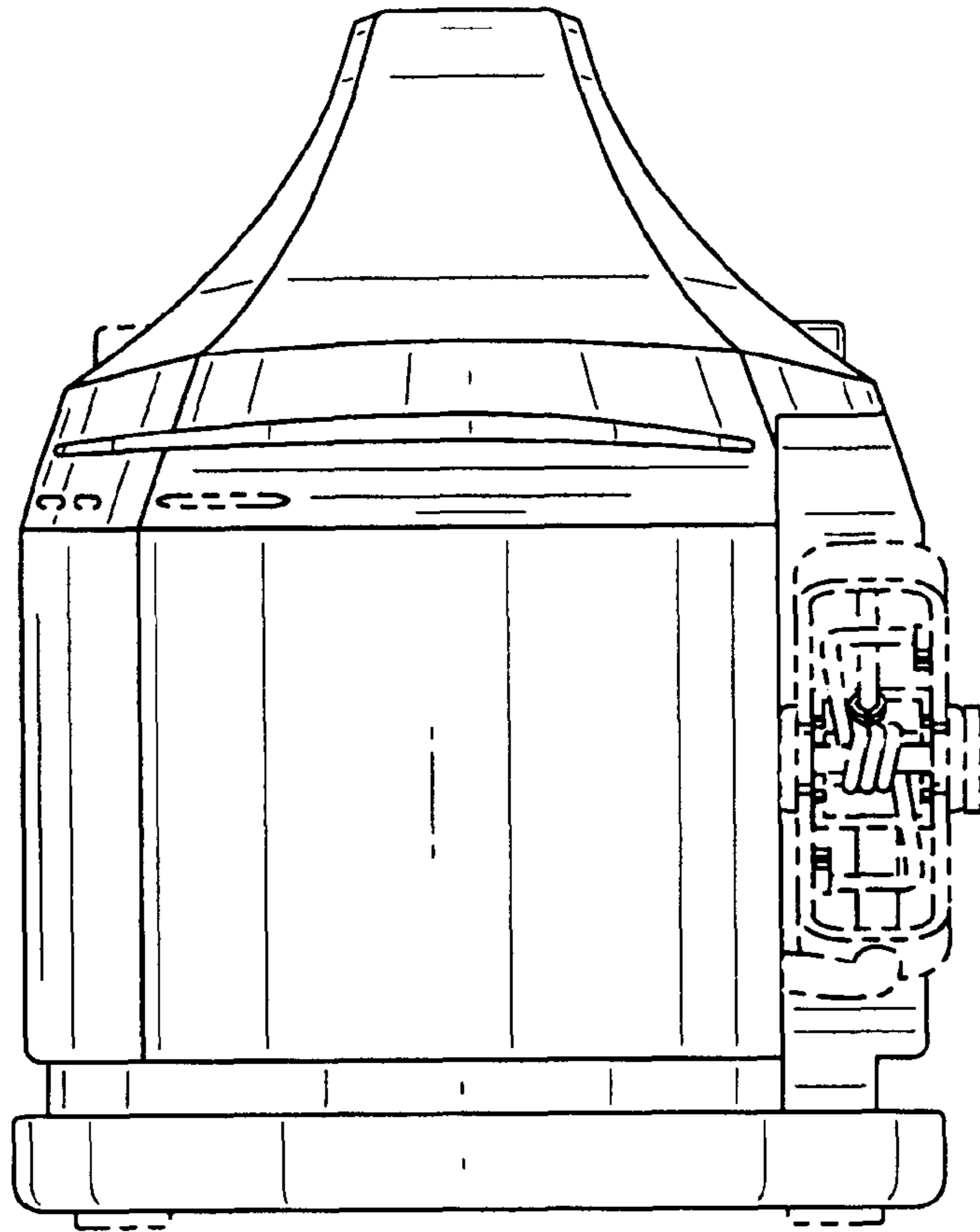


FIG. 5

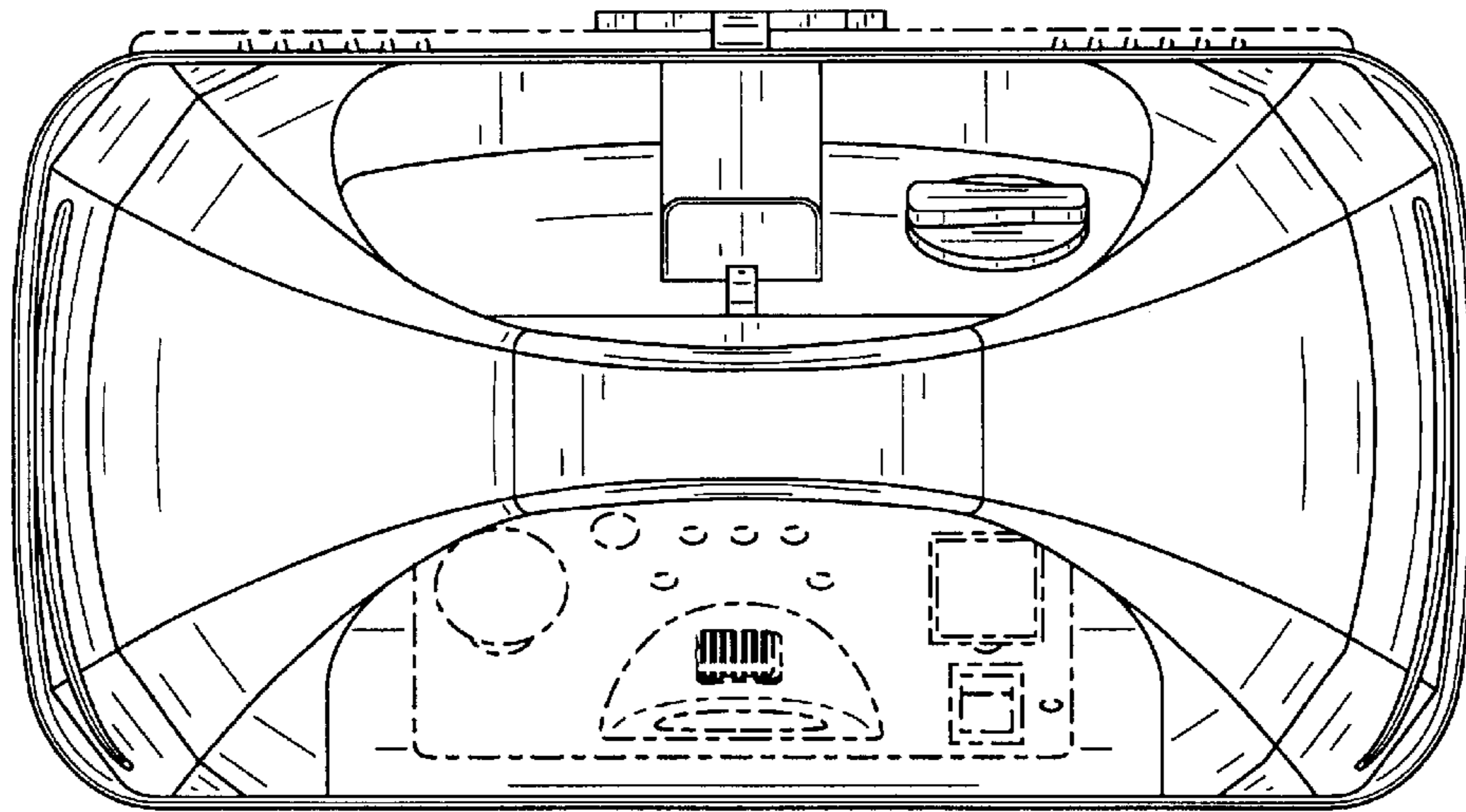


FIG. 6

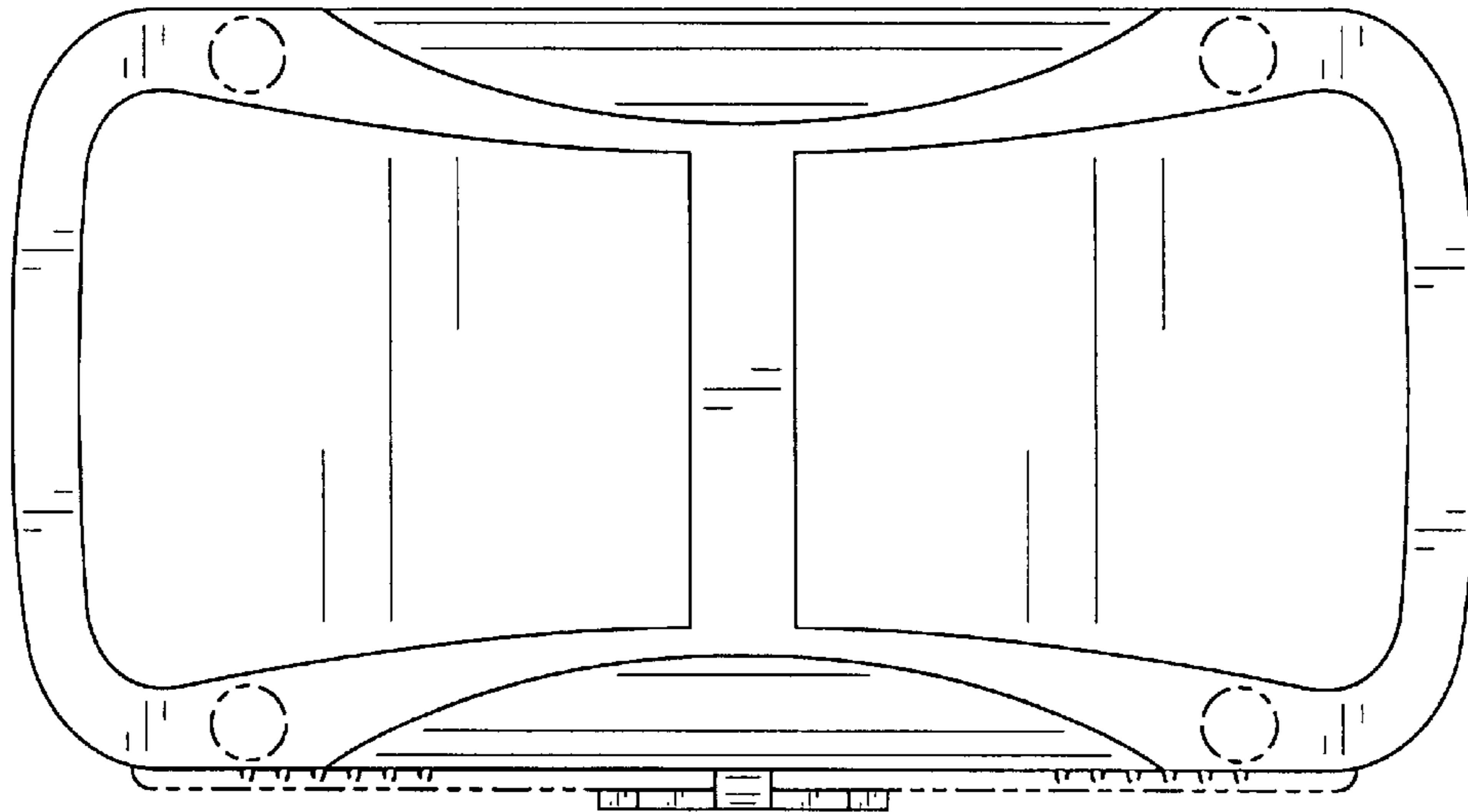


FIG. 7

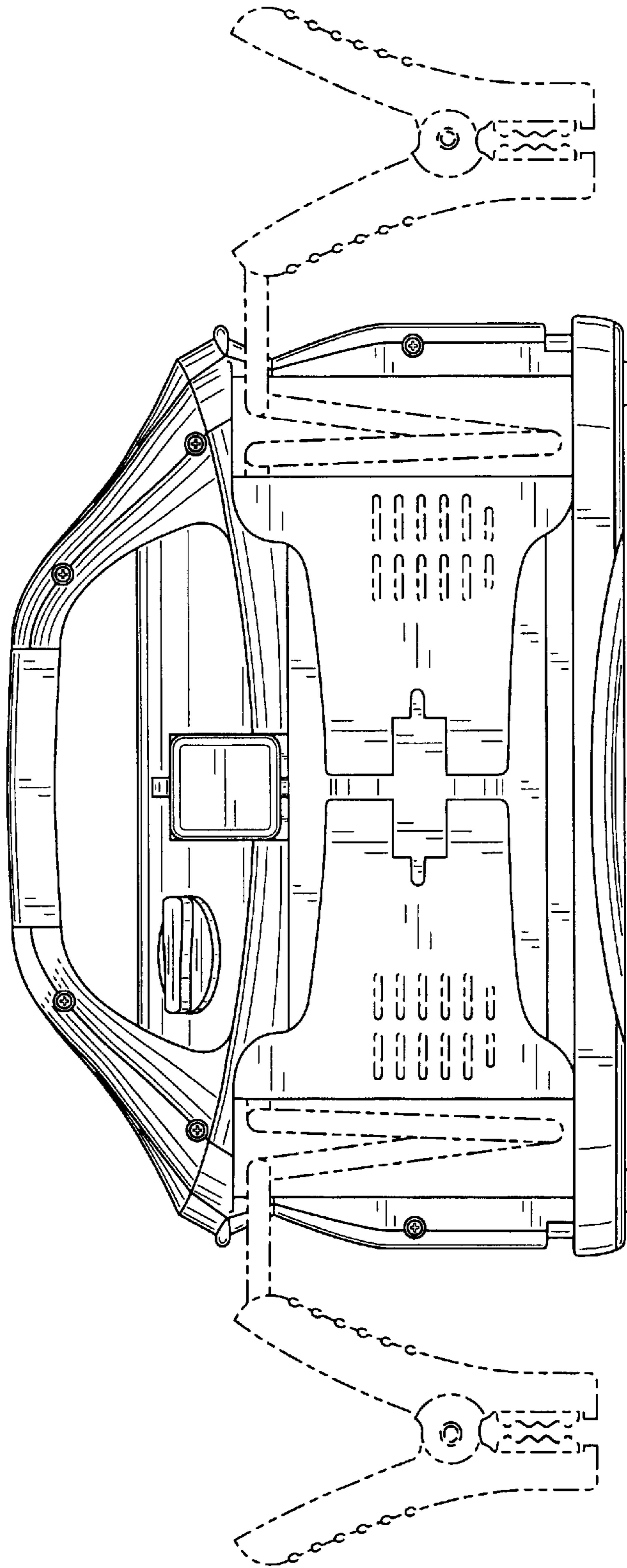


FIG. 8