



US00D527334S

(12) **United States Design Patent**
Hettler

(10) **Patent No.:** **US D527,334 S**

(45) **Date of Patent:** **** Aug. 29, 2006**

(54) **FRONT FACE OF A VEHICLE WHEEL**

(75) Inventor: **Jan Hettler**, Munich (DE)

(73) Assignee: **Bayerische Motoren Werke
Aktiengesellschaft**, Munich (DE)

(**) Term: **14 Years**

(21) Appl. No.: **29/242,308**

(22) Filed: **Nov. 9, 2005**

(30) **Foreign Application Priority Data**

May 11, 2005 (DE) 405 02 549

(51) **LOC (8) Cl.** **12-16**

(52) **U.S. Cl.** **D12/211**

(58) **Field of Classification Search** D12/204-213;
301/37.101, 64.101, 65

See application file for complete search history.

(56) **References Cited**

U.S. PATENT DOCUMENTS

D361,547 S	*	8/1995	Weld	D12/211
D421,417 S	*	3/2000	Weidhase	D12/209
D427,555 S	*	7/2000	Hall	D12/209
D433,659 S	*	11/2000	Frizzi	D12/211
D450,647 S	*	11/2001	Pfeiffer	D12/211

D458,571 S	*	6/2002	Maifrini	D12/209
D466,853 S	*	12/2002	Maifrini	D12/211
D480,035 S		9/2003	Frohlich		
D480,674 S	*	10/2003	Lecher et al.	D12/209
D486,437 S	*	2/2004	Hieke	D12/211
D486,770 S	*	2/2004	Pollmann	D12/209
D487,418 S	*	3/2004	Hieke	D12/211
D489,309 S	*	5/2004	Laengerer	D12/211
D490,040 S	*	5/2004	Foose	D12/211
D494,524 S	*	8/2004	Rice	D12/211
D503,919 S	*	4/2005	Cahyono	D12/211
D504,098 S	*	4/2005	Gallert	D12/209

* cited by examiner

Primary Examiner—Stacia Cadmus

(74) *Attorney, Agent, or Firm*—Crowell & Moring LLP

(57) **CLAIM**

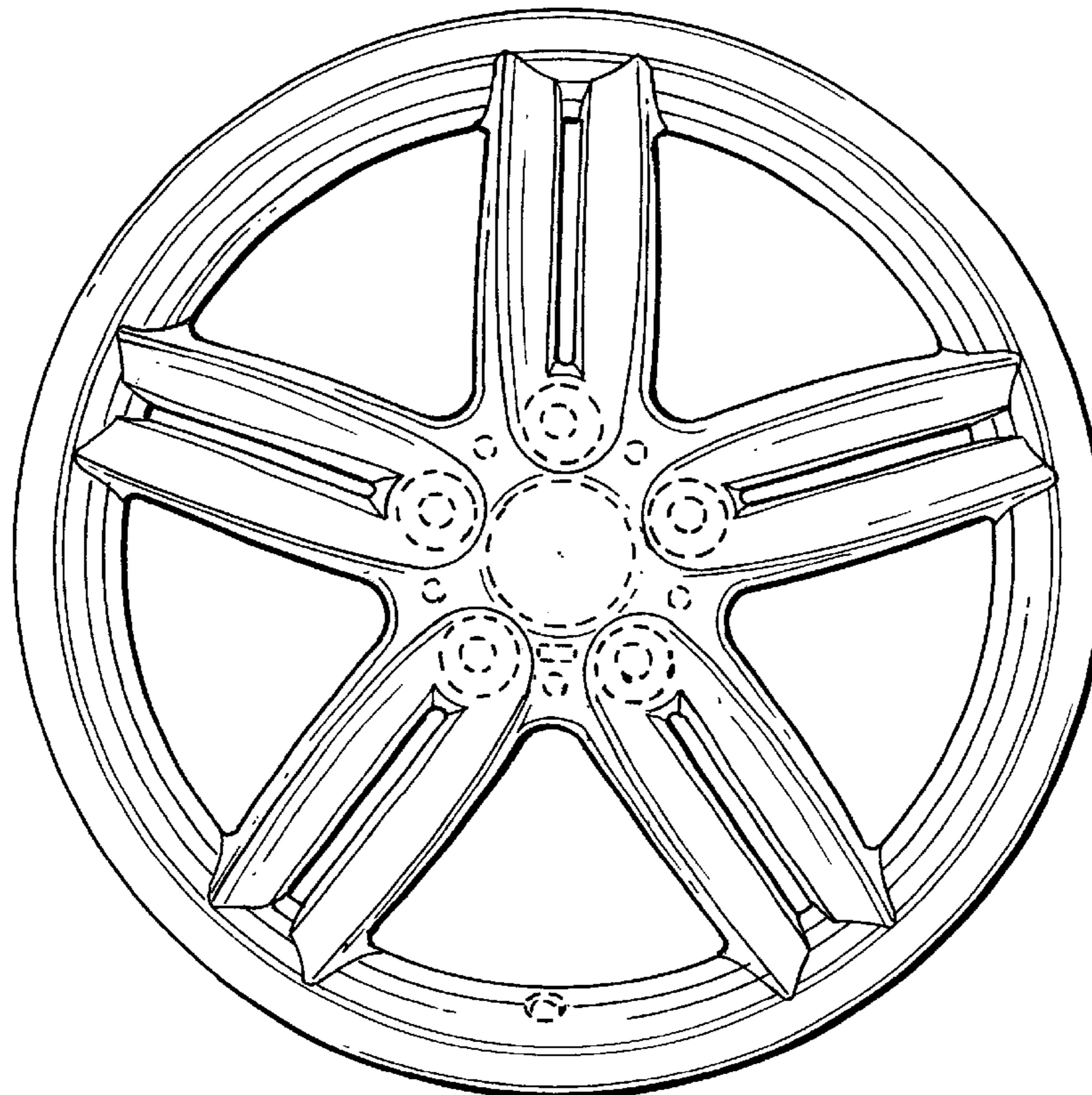
The ornamental design for a front face of a vehicle wheel, as shown and described.

DESCRIPTION

FIG. 1 is a front view of a front face of a vehicle wheel according to my novel design; and, FIG. 2 is a perspective view thereof.

The broken lines are for illustrative purposes only and form no part of the claimed design.

1 Claim, 1 Drawing Sheet



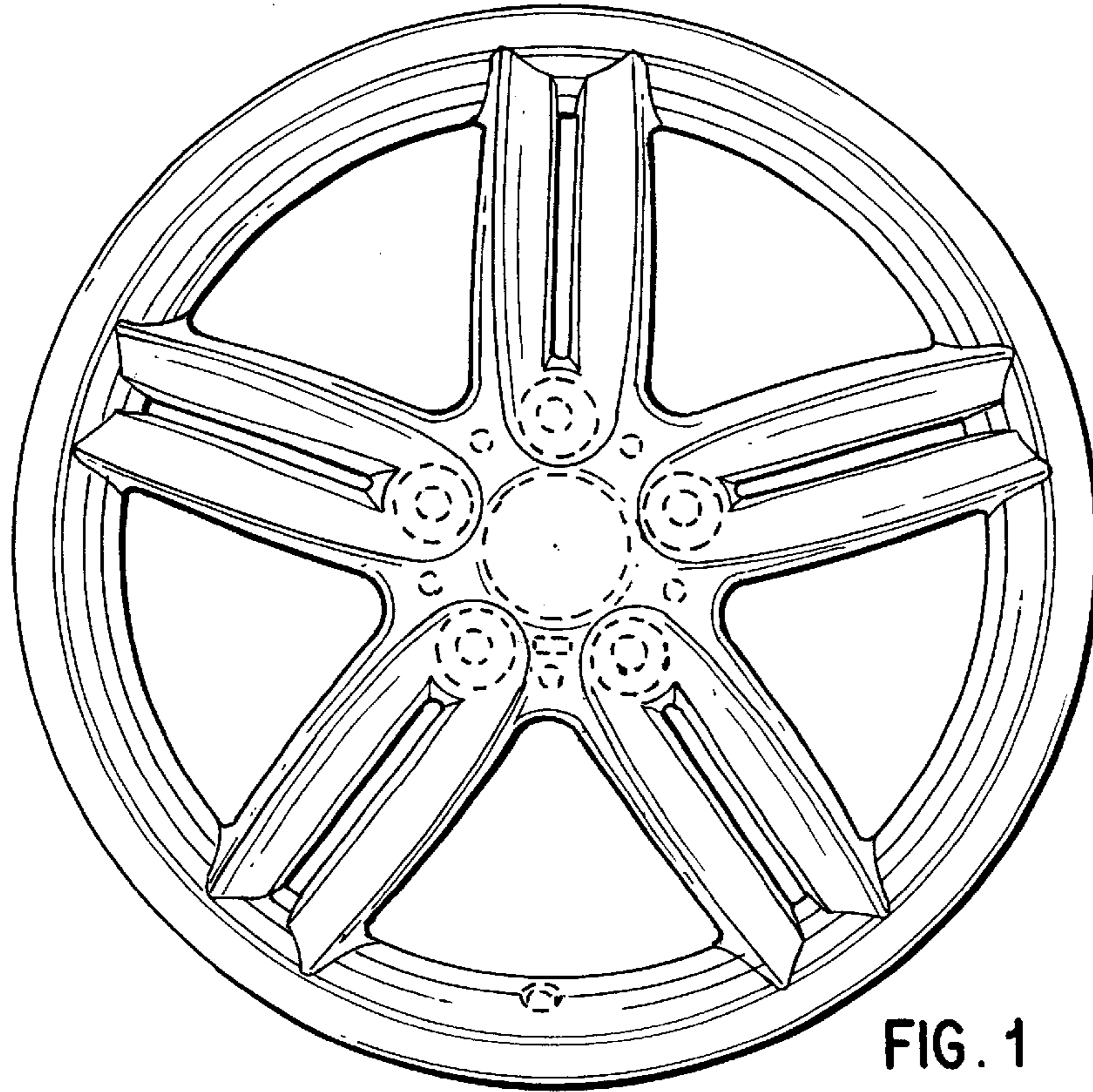


FIG. 1

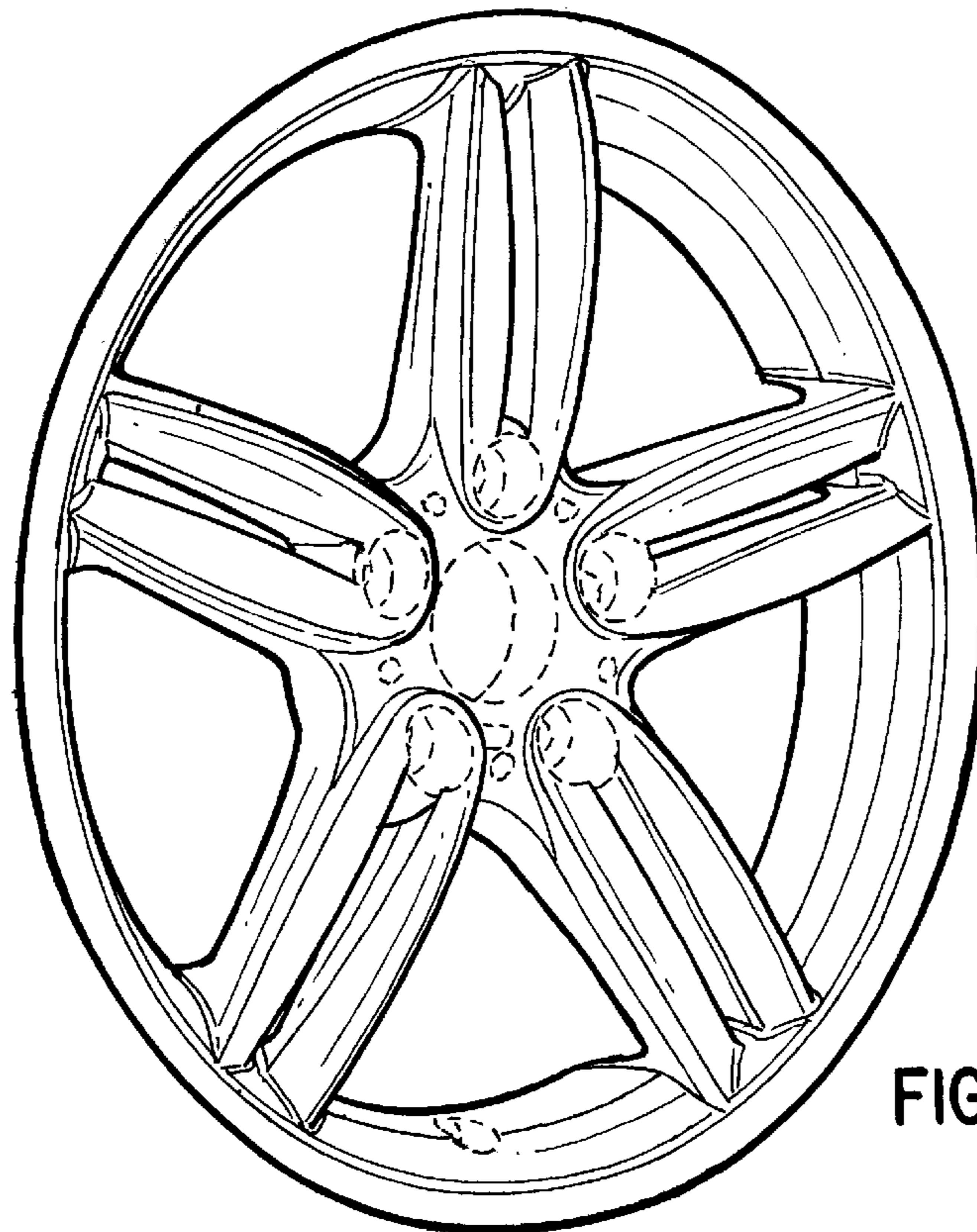


FIG. 2