



US00D527333S

(12) **United States Design Patent**
Blasi

(10) **Patent No.:** **US D527,333 S**

(45) **Date of Patent:** **** Aug. 29, 2006**

(54) **FRONT FACE OF A VEHICLE WHEEL**

(75) Inventor: **Juliane Blasi**, Munich (DE)

(73) Assignee: **Bayerische Motoren Werke
Aktiengesellschaft**, Munich (DE)

(**) Term: **14 Years**

(21) Appl. No.: **29/242,304**

(22) Filed: **Nov. 9, 2005**

(30) **Foreign Application Priority Data**

May 11, 2005 (DE) 40502549

(51) **LOC (8) Cl.** **12-16**

(52) **U.S. Cl.** **D12/211**

(58) **Field of Classification Search** D12/204-213;
301/37.101, 64.101, 65

See application file for complete search history.

(56) **References Cited**

U.S. PATENT DOCUMENTS

D421,953 S * 3/2000 Sims et al. D12/211

D457,118 S * 5/2002 Bhambra D12/211
D479,178 S * 9/2003 Lai D12/211
D482,309 S * 11/2003 Sulahian D12/211
D493,764 S * 8/2004 Sulahian D12/211
D499,686 S * 12/2004 Song D12/211
D500,005 S * 12/2004 van Hooydonk D12/211
D504,101 S * 4/2005 Pfeiffer D12/211
D510,555 S * 10/2005 Fowlkes D12/211

* cited by examiner

Primary Examiner—Stacia Cadmus

(74) *Attorney, Agent, or Firm*—Crowell & Moring LLP

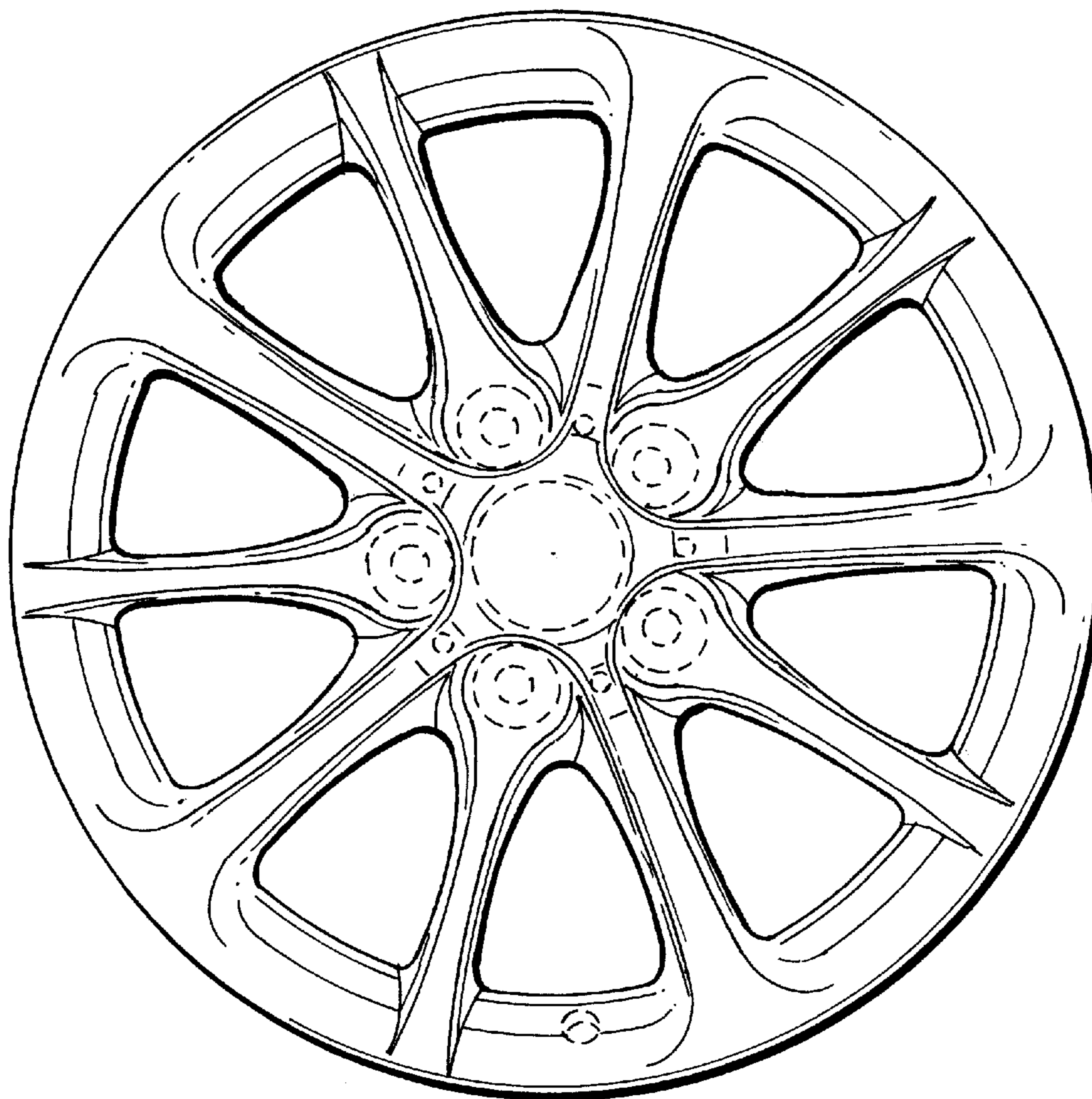
(57) **CLAIM**

The ornamental design for a front face of a vehicle wheel,
as shown and described.

DESCRIPTION

FIG. 1 is a front view of a front face of a vehicle wheel
according to my novel design; and,
FIG. 2 is a perspective view thereof.
The broken lines are for illustrative purposes only and form
no part of the claimed design.

1 Claim, 1 Drawing Sheet



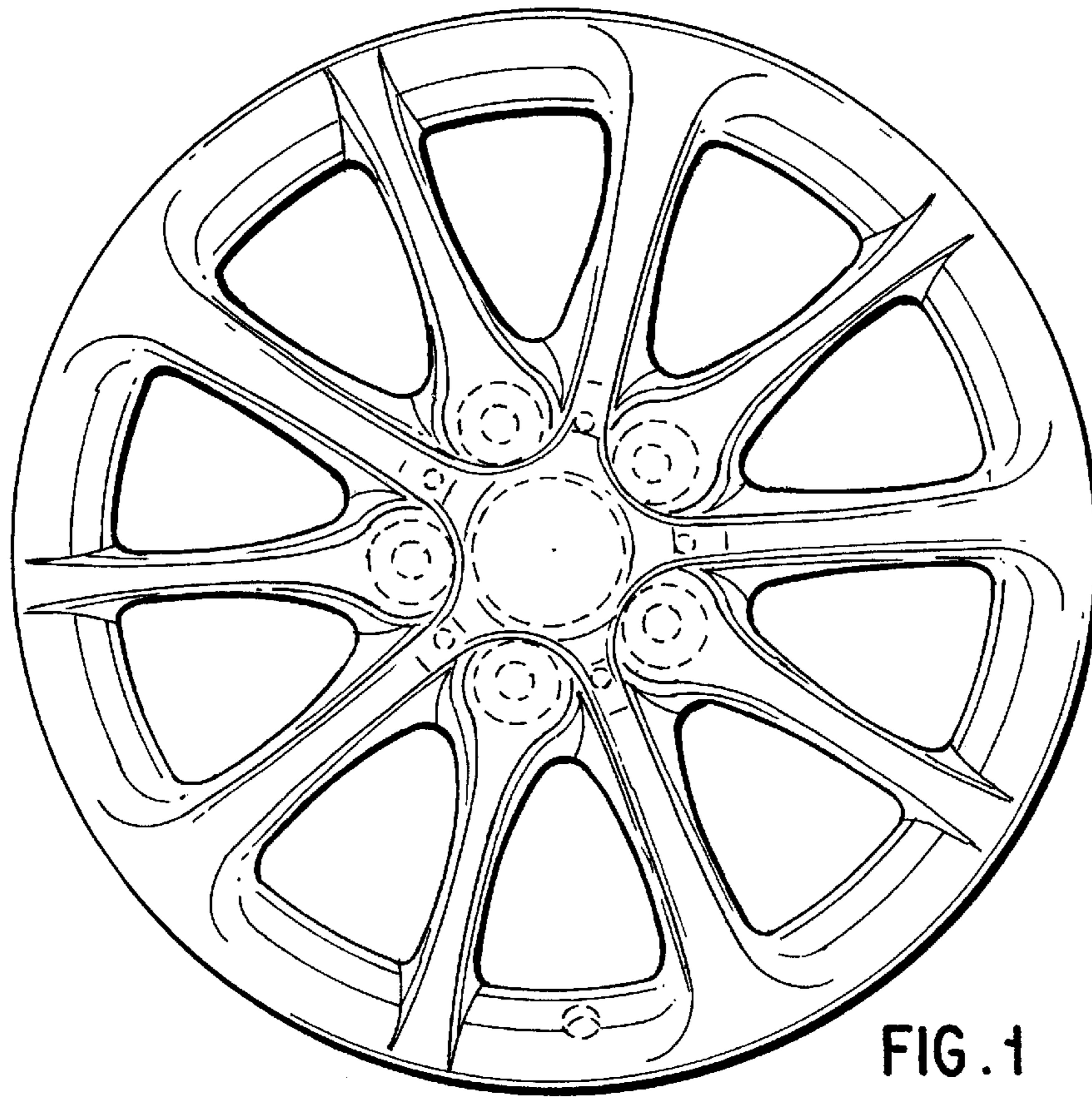


FIG. 1

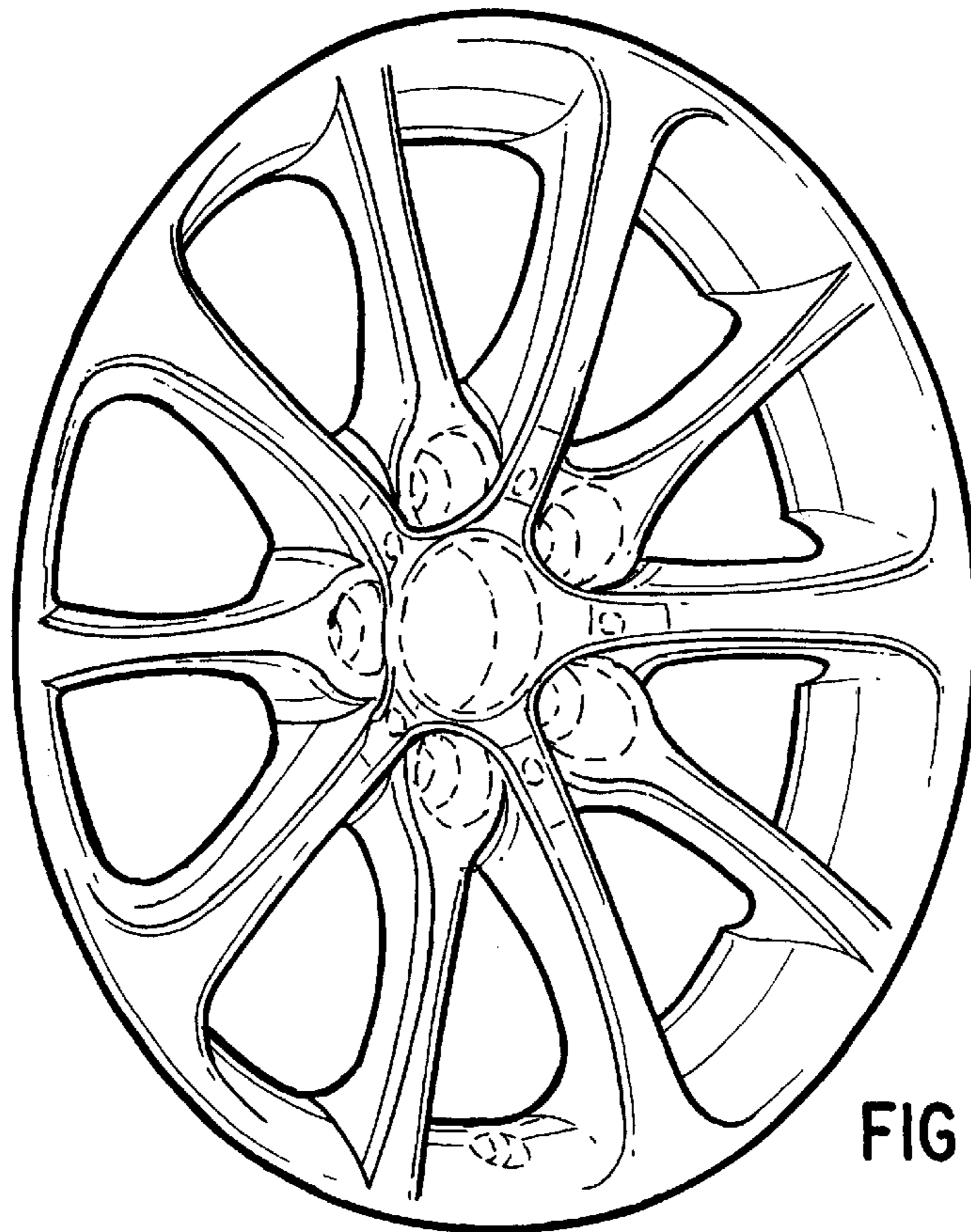


FIG. 2