



US00D527329S

(12) **United States Design Patent**
Pfeiffer

(10) **Patent No.:** **US D527,329 S**

(45) **Date of Patent:** **** Aug. 29, 2006**

(54) **FRONT FACE OF A VEHICLE WHEEL**

(75) Inventor: **Peter Pfeiffer**, Boeblingen (DE)

(73) Assignee: **DaimlerChrysler AG**, Stuttgart (DE)

(**) Term: **14 Years**

(21) Appl. No.: **29/215,004**

(22) Filed: **Oct. 14, 2004**

(30) **Foreign Application Priority Data**

Apr. 27, 2004 (DE) 40402627

(51) **LOC (8) Cl.** **12-16**

(52) **U.S. Cl.** **D12/211**

(58) **Field of Classification Search** D12/204-213;
301/37.101, 64.101, 65

See application file for complete search history.

(56) **References Cited**

U.S. PATENT DOCUMENTS

D419,517 S * 1/2000 Sacco et al. D12/211
D421,590 S * 3/2000 Sacco et al. D12/209
D453,722 S * 2/2002 Fitzgerald D12/209

D503,915 S * 4/2005 Markefka D12/209
D504,858 S * 5/2005 Pfeiffer D12/209
D506,173 S * 6/2005 Pfeiffer D12/211

* cited by examiner

Primary Examiner—Stacia Cadmus

(74) *Attorney, Agent, or Firm*—Crowell & Moring LLP

(57) **CLAIM**

The ornamental design for a front face of a vehicle wheel, as shown and described.

DESCRIPTION

FIG. 1 is a front view of a first embodiment of a front face of a vehicle wheel according to my novel design;

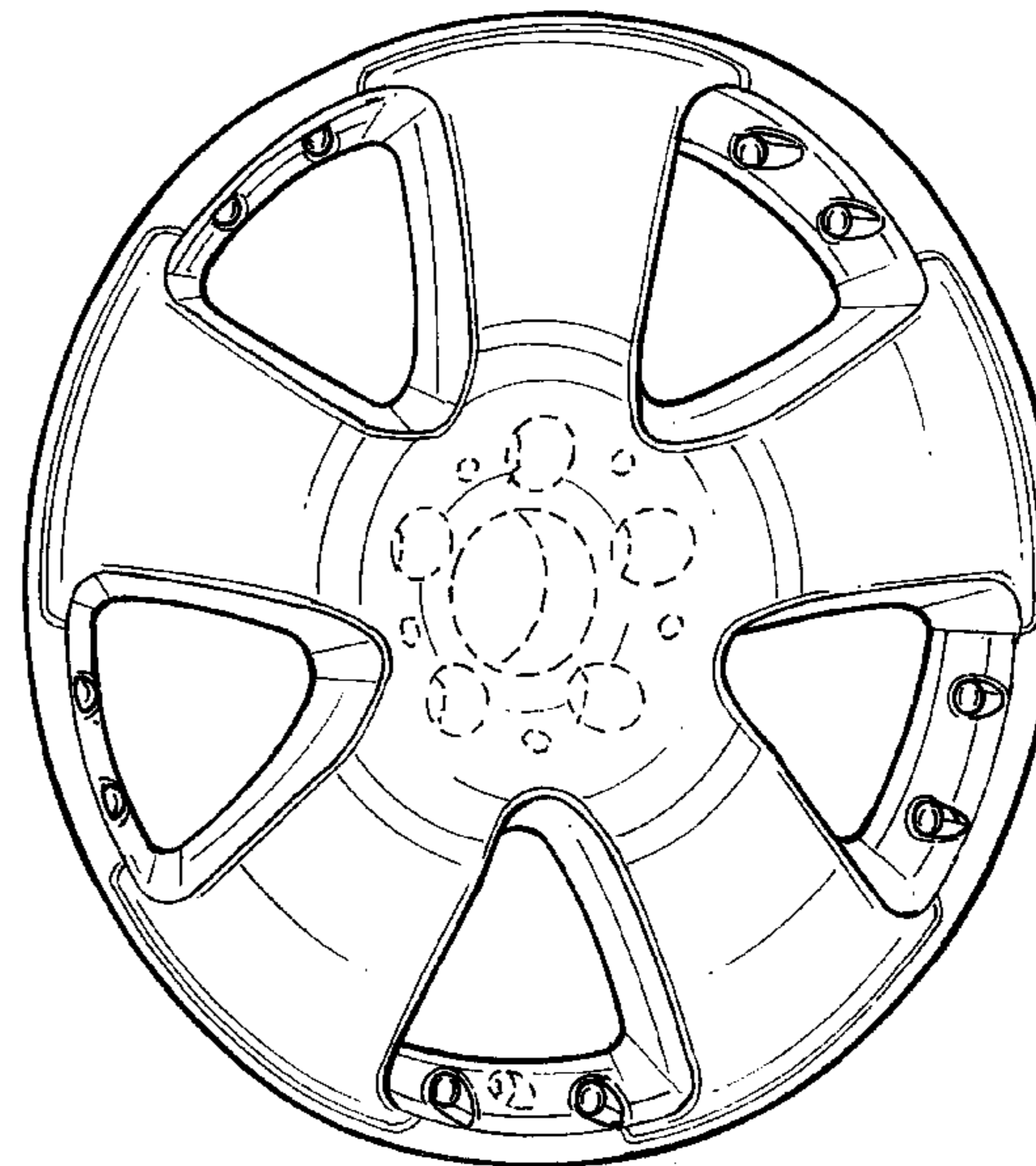
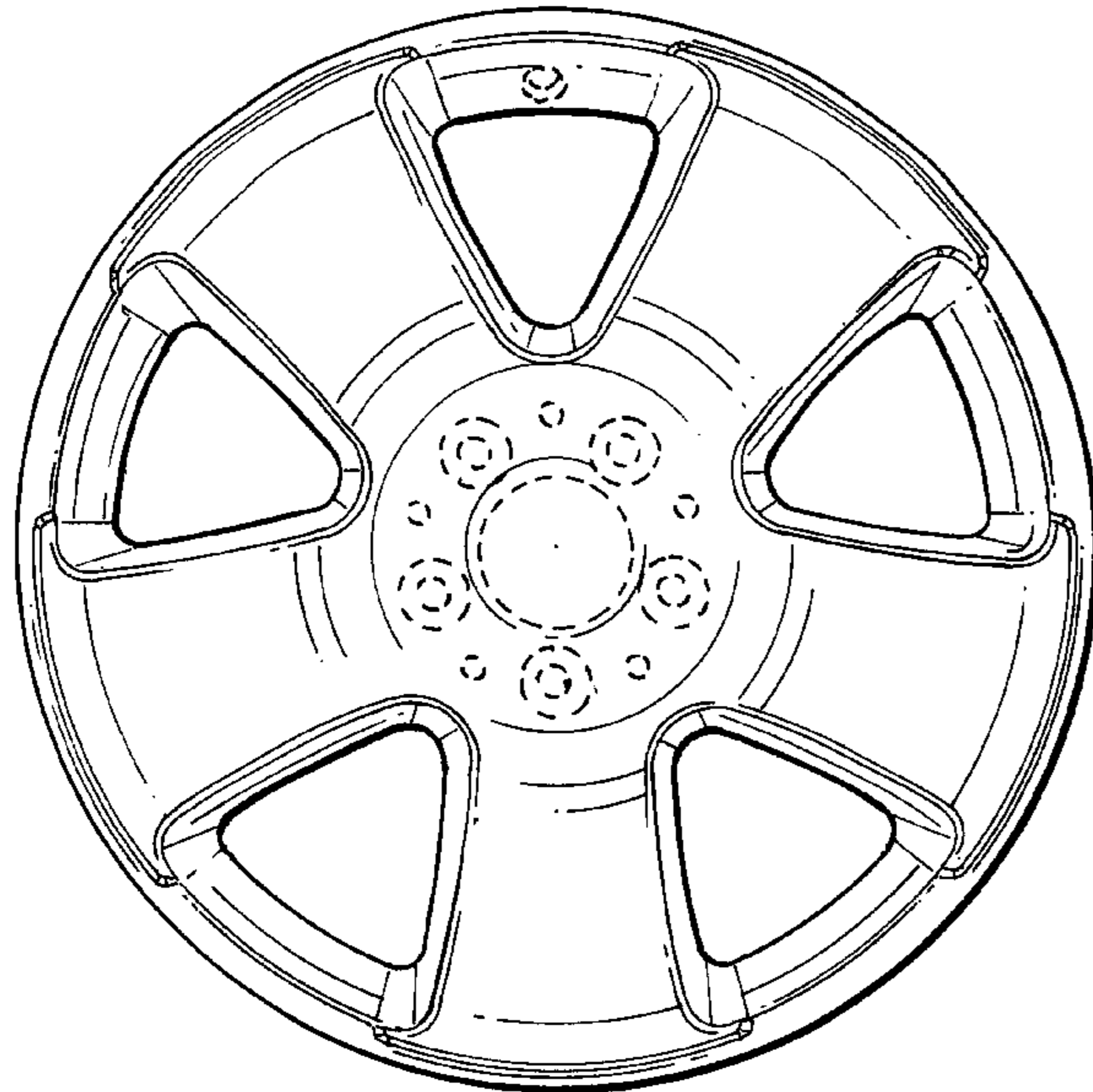
FIG. 2 is a perspective view of the first embodiment of the front face of a vehicle wheel according to my novel design;

FIG. 3 is a front view of a second embodiment of the front face of a vehicle wheel according to my novel design; and,

FIG. 4 is a perspective view of the second embodiment of the front face of a vehicle wheel according to my novel design.

The broken lines are for illustrative purposes only and form no part of the claimed design.

1 Claim, 2 Drawing Sheets



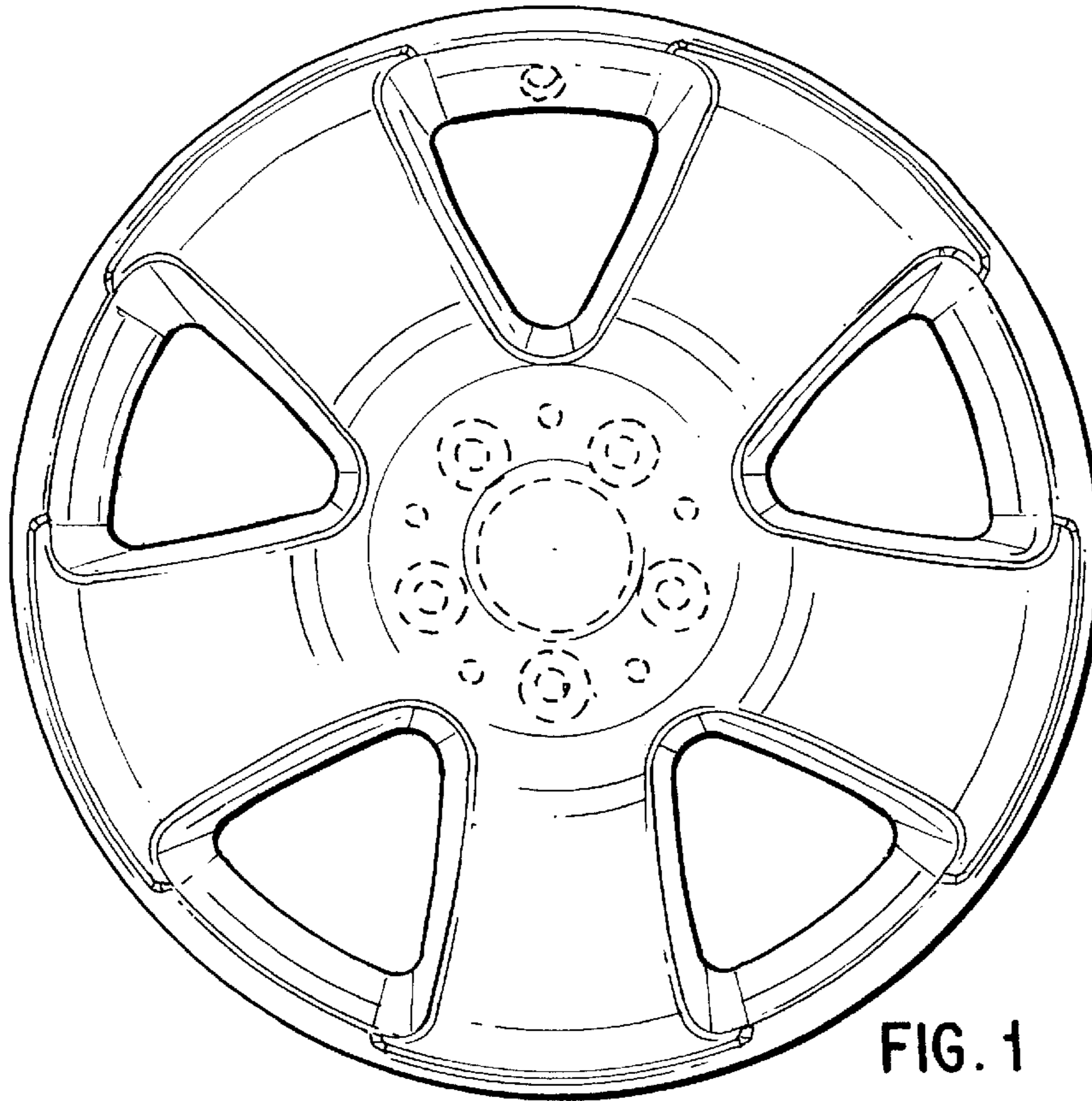


FIG. 1

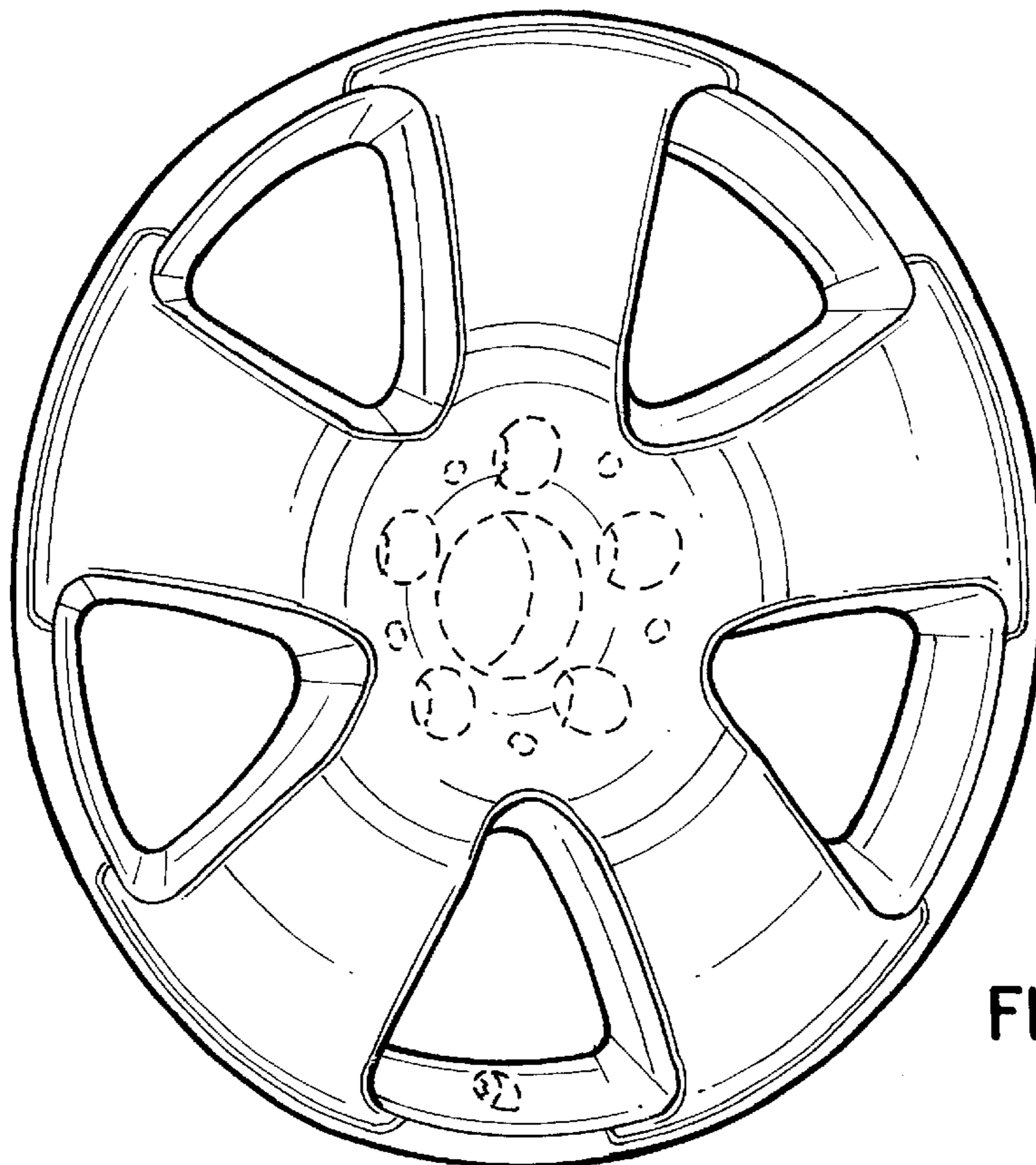


FIG. 2

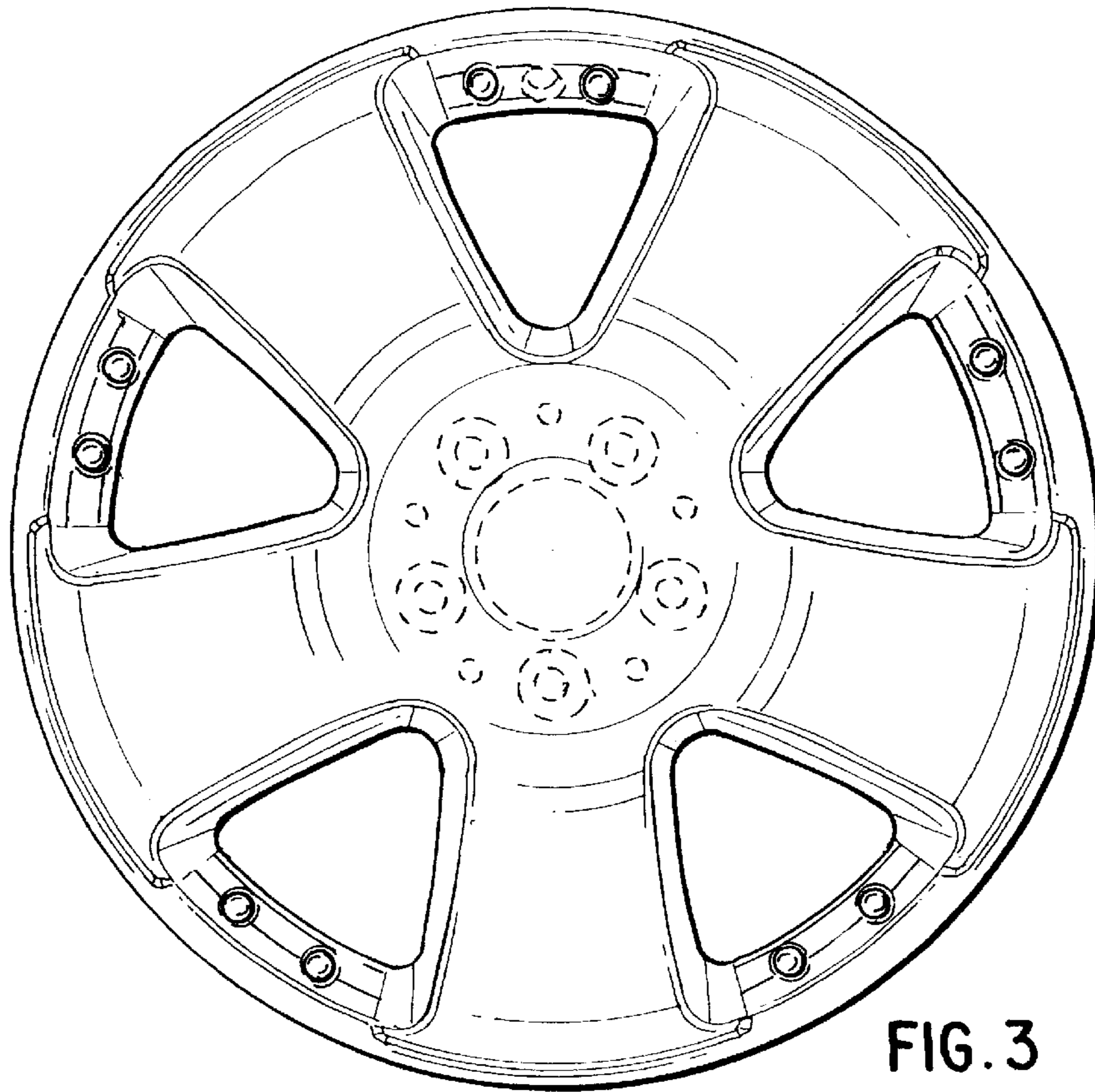


FIG. 3

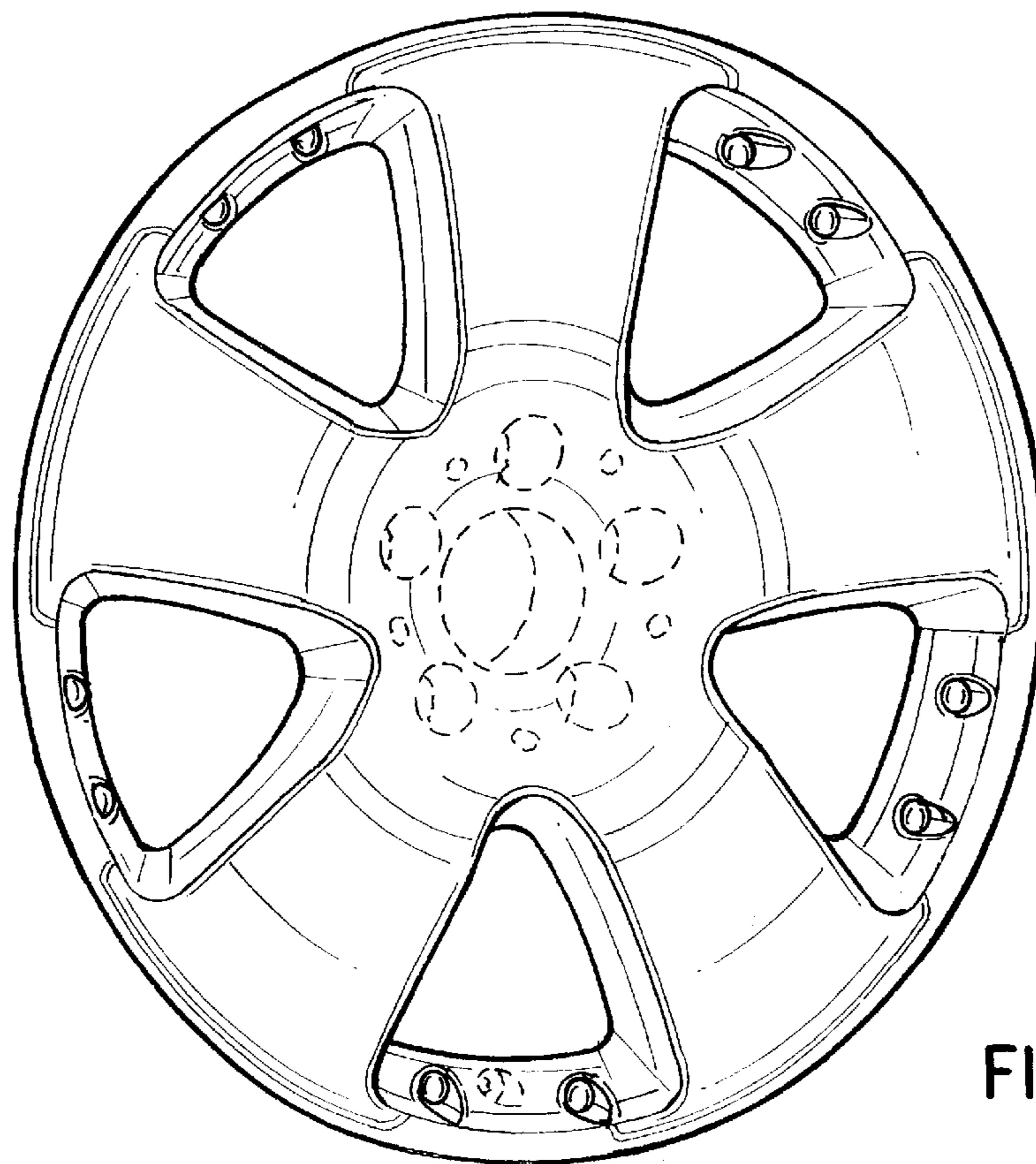


FIG. 4