



US00D527328S

(12) **United States Design Patent**
Pfeiffer

(10) **Patent No.:** **US D527,328 S**

(45) **Date of Patent:** **** Aug. 29, 2006**

(54) **FRONT FACE OF A VEHICLE WHEEL**

(75) Inventor: **Peter Pfeiffer**, Boeblingen (DE)

(73) Assignee: **DaimlerChrysler AG**, Stuttgart (DE)

(**) Term: **14 Years**

(21) Appl. No.: **29/204,740**

(22) Filed: **May 4, 2004**

(30) **Foreign Application Priority Data**

Nov. 5, 2003 (DE) 4 03 07 043

(51) **LOC (8) Cl.** **12-16**

(52) **U.S. Cl.** **D12/211**

(58) **Field of Classification Search** D12/204-213;
301/37.101, 64.101, 65

See application file for complete search history.

(56) **References Cited**

U.S. PATENT DOCUMENTS

5,457,886 A	*	10/1995	Fuller	301/37.101
D408,346 S	*	4/1999	Goplen	D12/211
D409,968 S	*	5/1999	Goplen	D12/211
D471,144 S	*	3/2003	Pfeiffer	D12/209
D471,852 S	*	3/2003	Pfeiffer et al.	D12/211
D476,284 S	*	6/2003	Pfeiffer et al.	D12/211
D479,177 S	*	9/2003	Nordmann	D12/211

D487,569 S	*	3/2004	Laengerer	D12/211
D504,651 S	*	5/2005	Johnson	D12/211
D507,775 S	*	7/2005	Pfeiffer	D12/211
D512,360 S	*	12/2005	Boyer	D12/211
D512,675 S	*	12/2005	Nagashima	D12/209
D513,726 S	*	1/2006	Kamimura	D12/211

* cited by examiner

Primary Examiner—Stacia Cadmus

(74) *Attorney, Agent, or Firm*—Crowell & Moring LLP

(57) **CLAIM**

The ornamental design for a front face of a vehicle wheel, as shown and described.

DESCRIPTION

FIG. 1 is a front view of a first embodiment of a front face of a vehicle wheel according to my novel design;

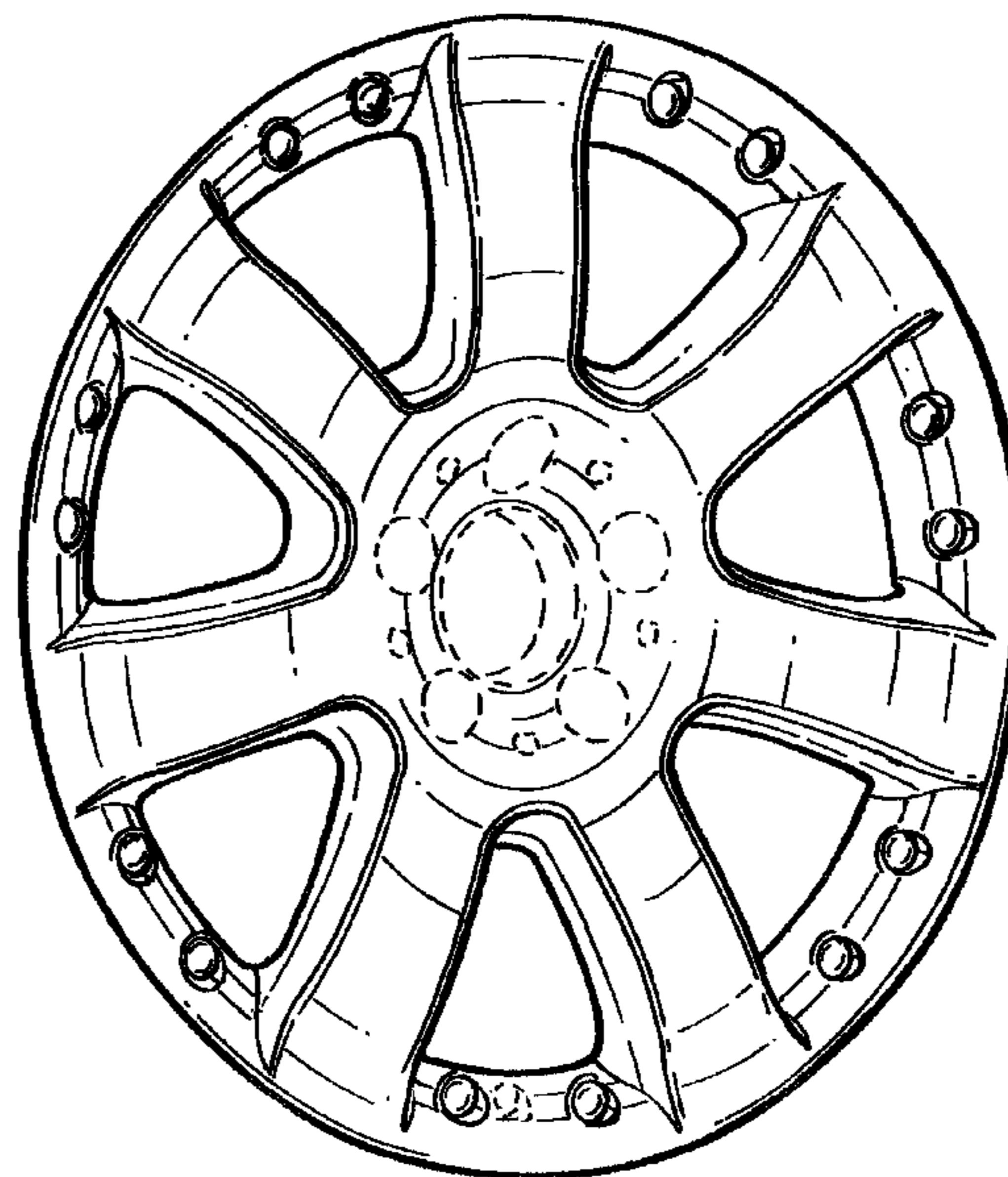
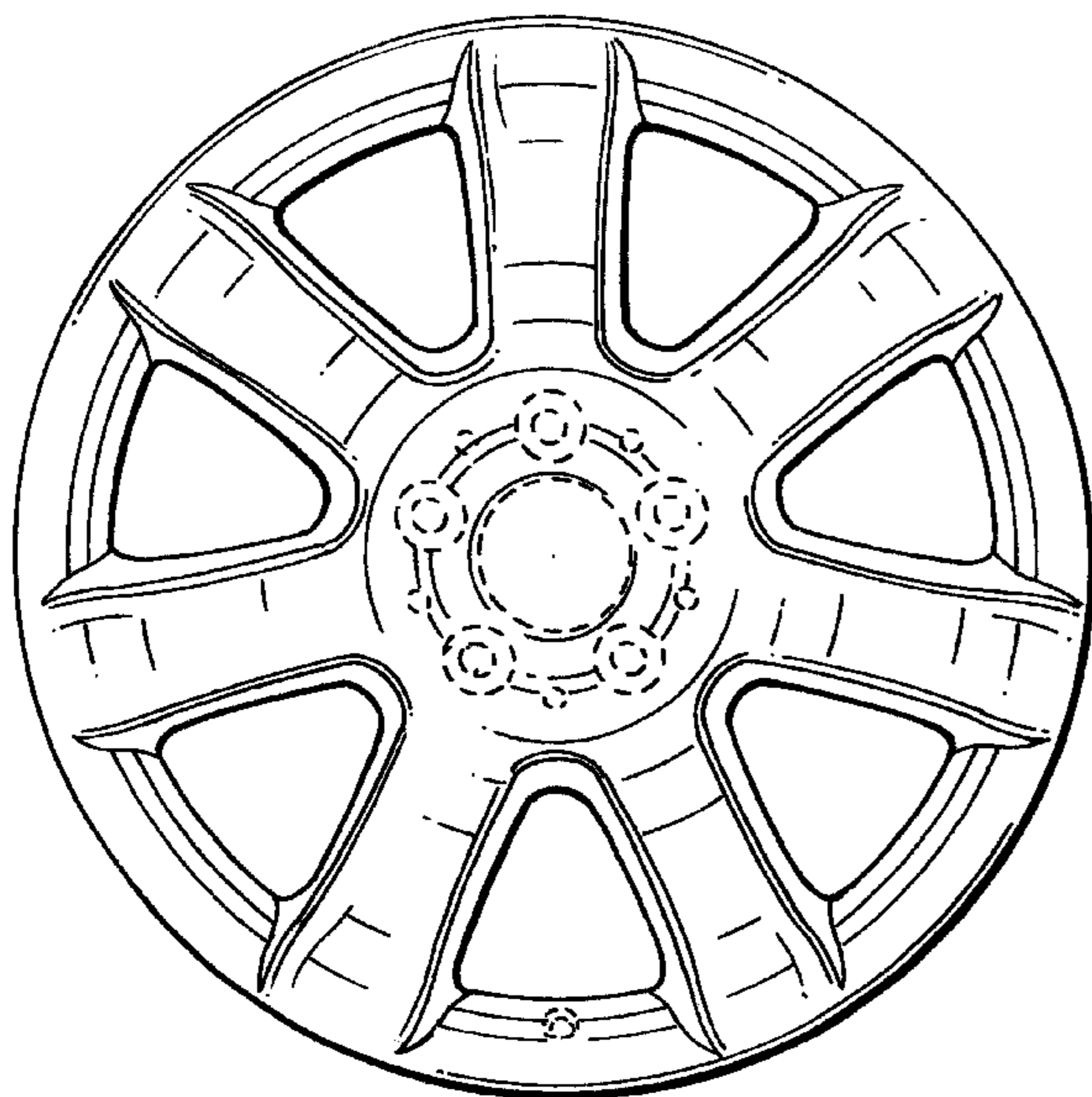
FIG. 2 is a perspective view of the first embodiment of the front face of a vehicle wheel according to my novel design;

FIG. 3 is a front view of a second embodiment of the front face of a vehicle wheel according to my novel design; and,

FIG. 4 is a perspective view of the second embodiment of the front face of a vehicle wheel according to my novel design.

The broken lines are for illustrative purposes only and form no part of the claimed design.

1 Claim, 2 Drawing Sheets



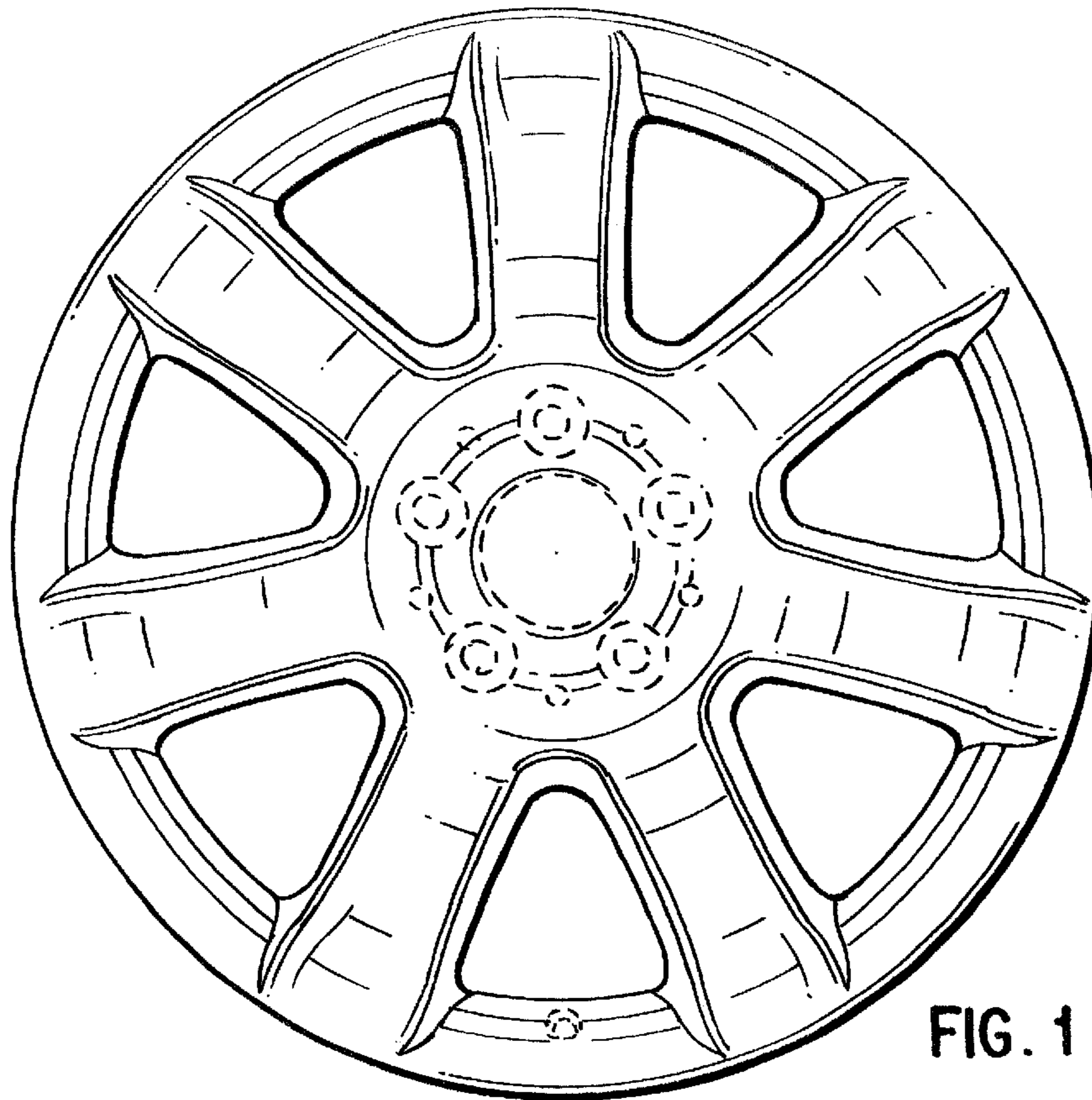


FIG. 1

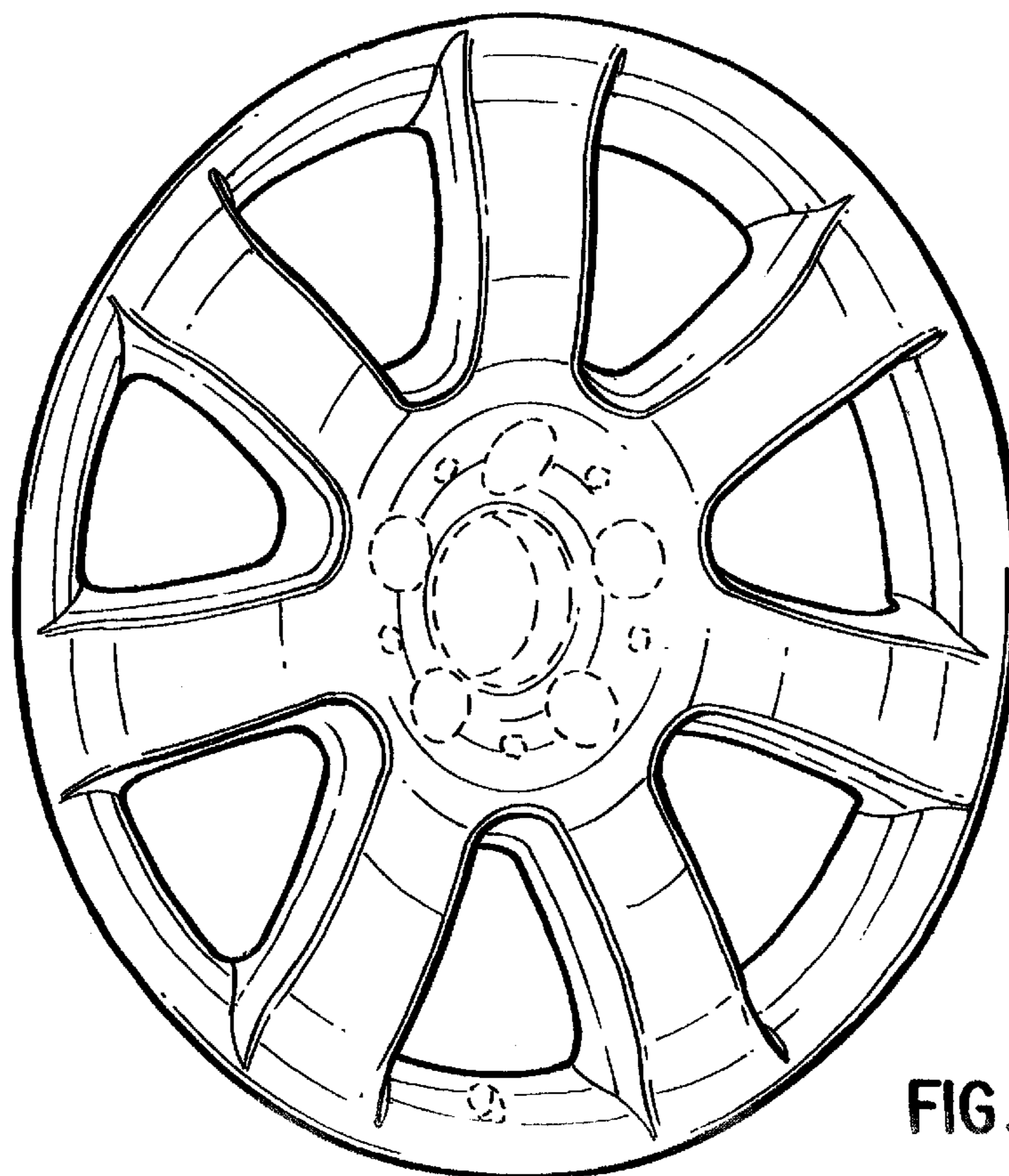


FIG. 2

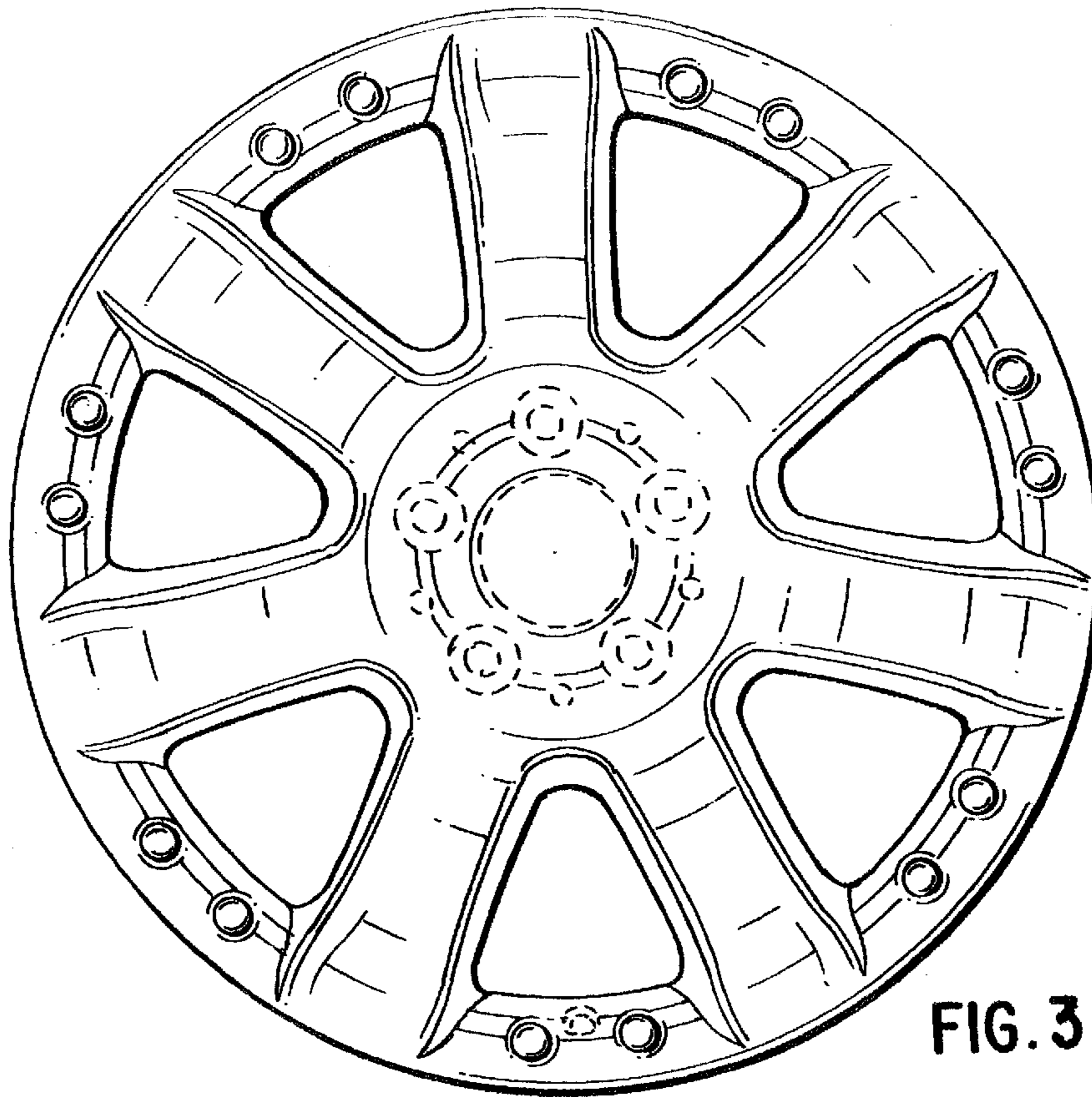


FIG. 3

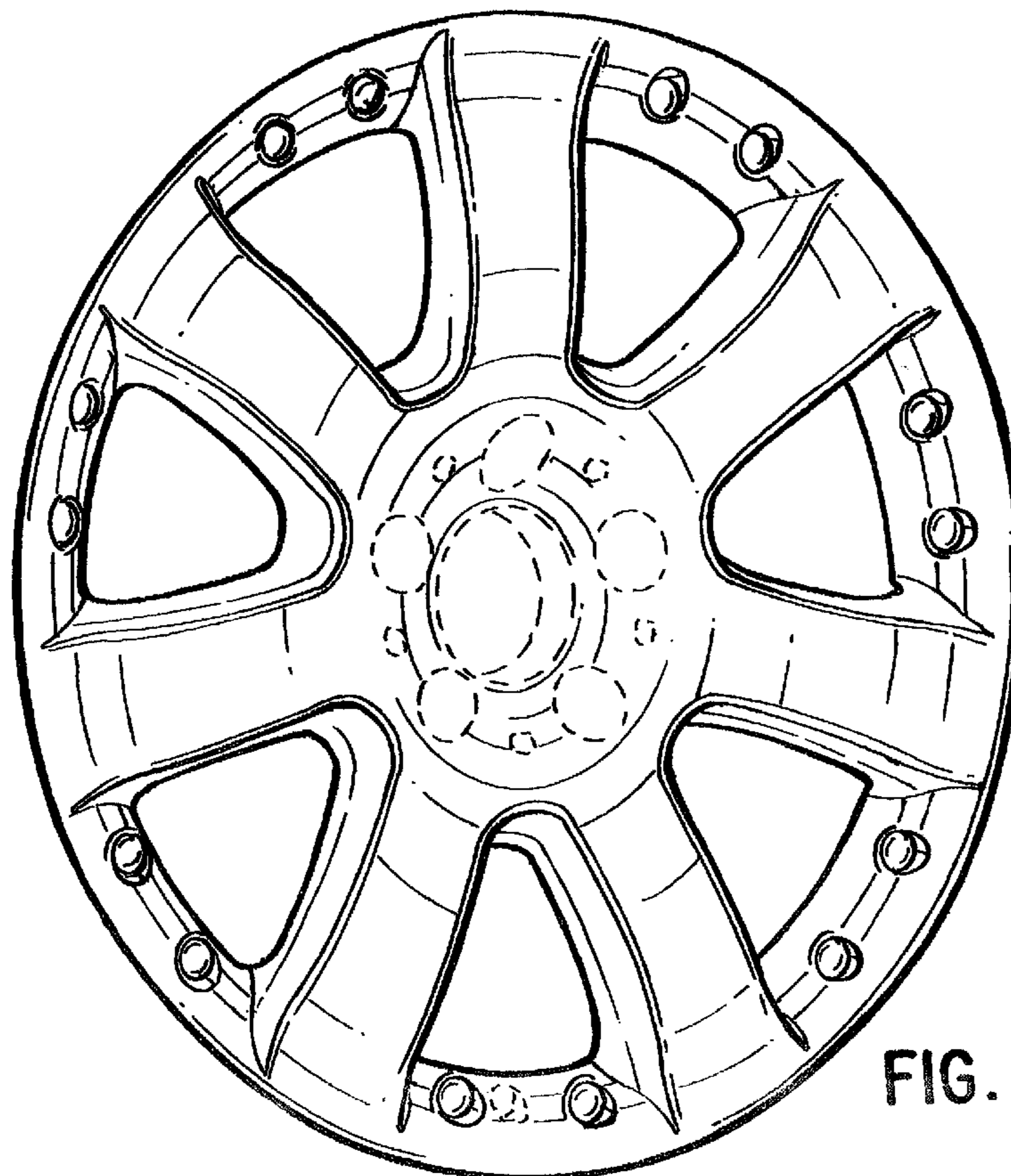


FIG. 4