

US00D527327S

(12) **United States Design Patent**
Laengerer

(10) **Patent No.:** **US D527,327 S**

(45) **Date of Patent:** **** Aug. 29, 2006**

(54) **FRONT FACE OF A VEHICLE WHEEL**

(75) Inventor: **Marcus Laengerer**, Renningen (DE)

(73) Assignee: **DaimlerChrysler**, Stuttgart (DE)

(**) Term: **14 Years**

(21) Appl. No.: **29/197,307**

(22) Filed: **Jan. 14, 2004**

(30) **Foreign Application Priority Data**

Jul. 15, 2003 (DE) 4 03 04 750

(51) **LOC (8) Cl.** **12-16**

(52) **U.S. Cl.** **D12/211**

(58) **Field of Classification Search** D12/204-213;
301/37.101, 64.101, 65

See application file for complete search history.

(56) **References Cited**

U.S. PATENT DOCUMENTS

- D395,270 S * 6/1998 Baumgartner et al. D12/211
- D398,898 S * 9/1998 Baumgartner et al. D12/211
- D399,474 S * 10/1998 Stacy D12/211

- D405,409 S * 2/1999 Baumgartner D12/211
- D406,092 S * 2/1999 Baumgartner D12/211
- D410,426 S * 6/1999 Frizzi D12/211
- D419,948 S * 2/2000 Cahyono D12/211
- D430,526 S * 9/2000 Fitzgerald D12/211
- D461,441 S * 8/2002 Hartanto D12/211
- D477,262 S * 7/2003 Koch D12/209
- D502,677 S * 3/2005 Baum D12/209

* cited by examiner

Primary Examiner—Stacia Cadmus

(74) *Attorney, Agent, or Firm*—Crowell & Moring LLP

(57) **CLAIM**

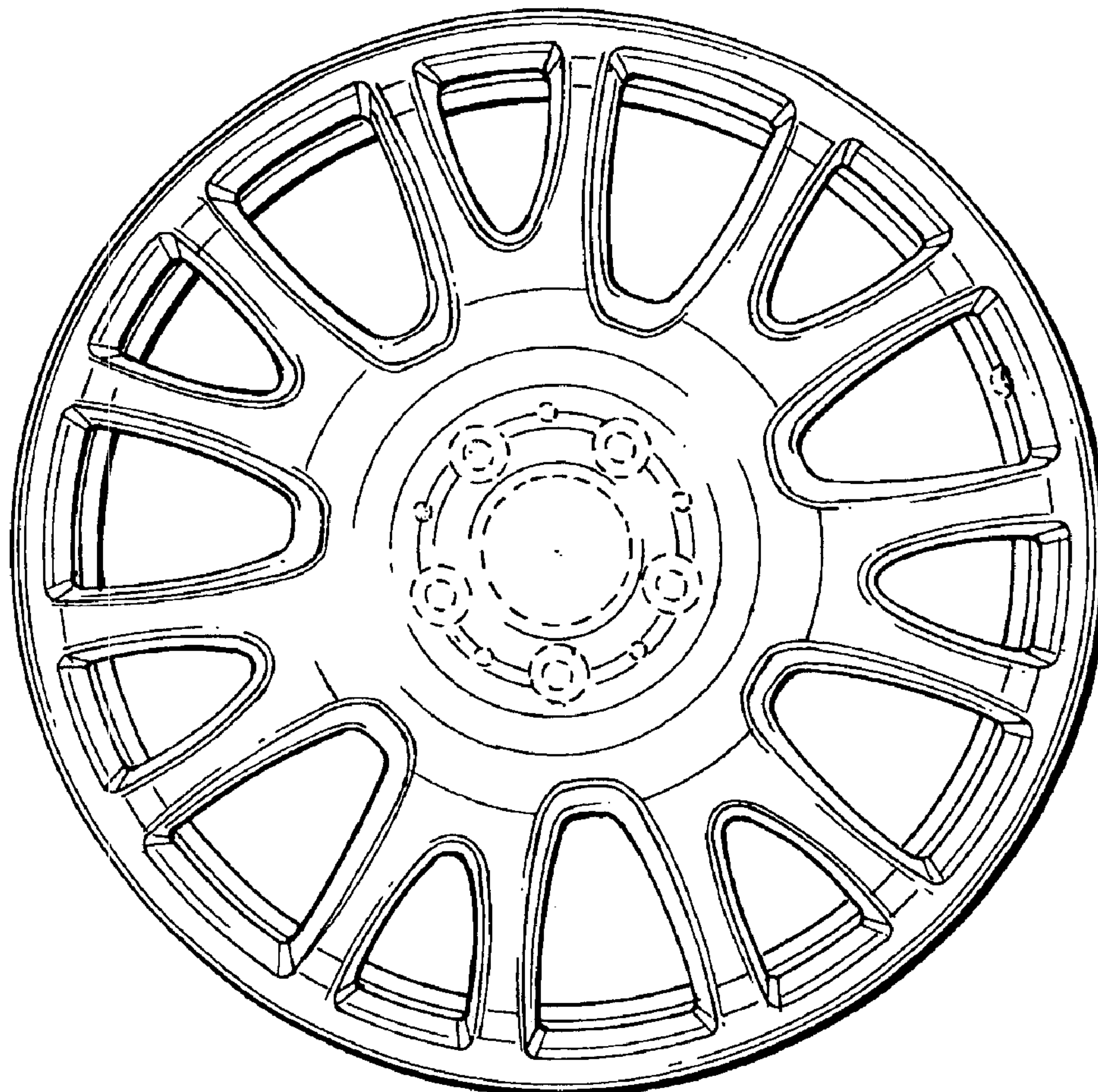
The ornamental design for a front face of a vehicle wheel, as shown and described.

DESCRIPTION

FIG. 1 is a front view of a front face of a vehicle wheel according to my novel design; and, FIG. 2 is a perspective view of the front face of a vehicle wheel according to my novel design.

The broken lines are for illustrative purposes only and form no part of the claimed design.

1 Claim, 1 Drawing Sheet



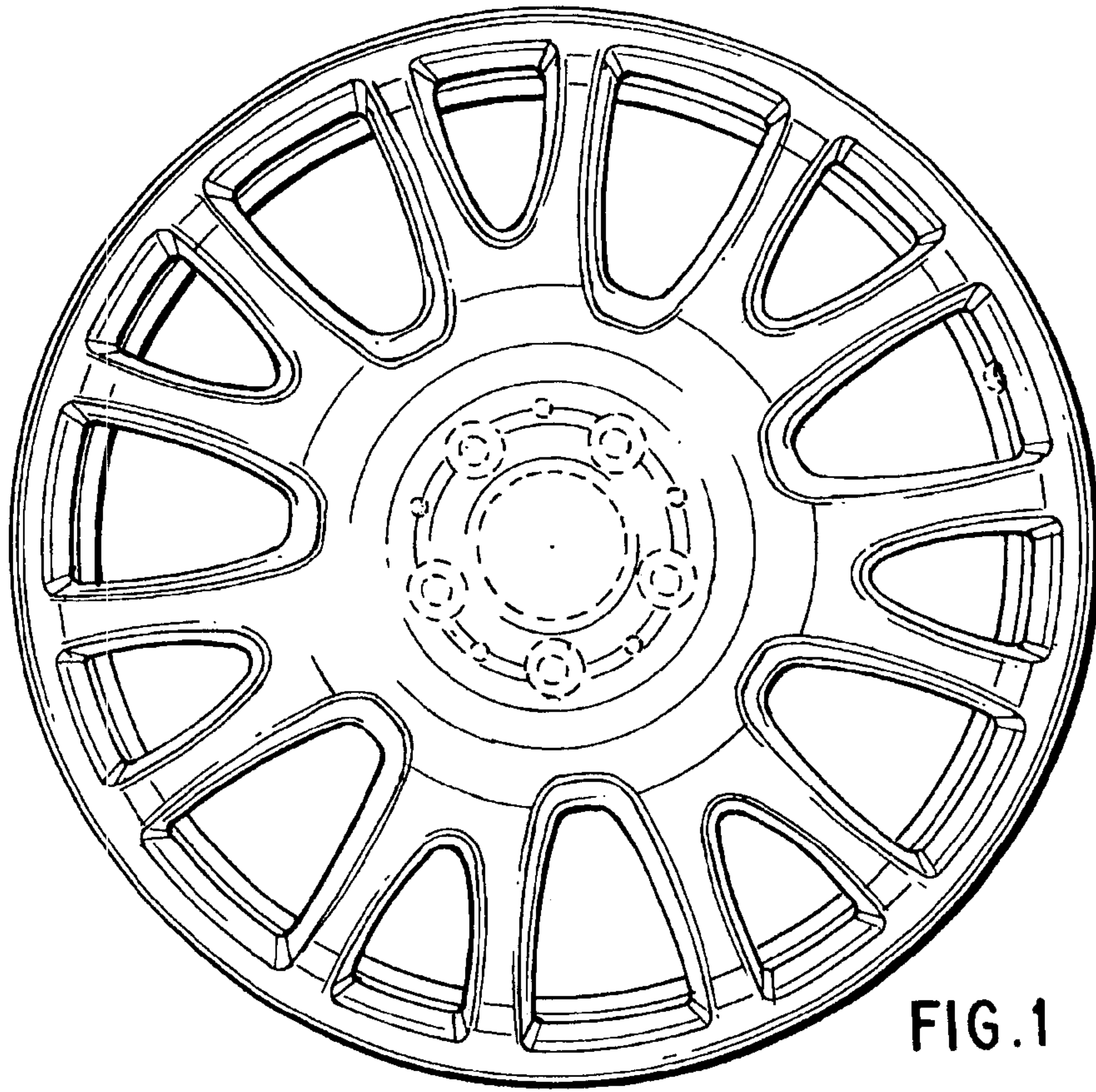


FIG. 1

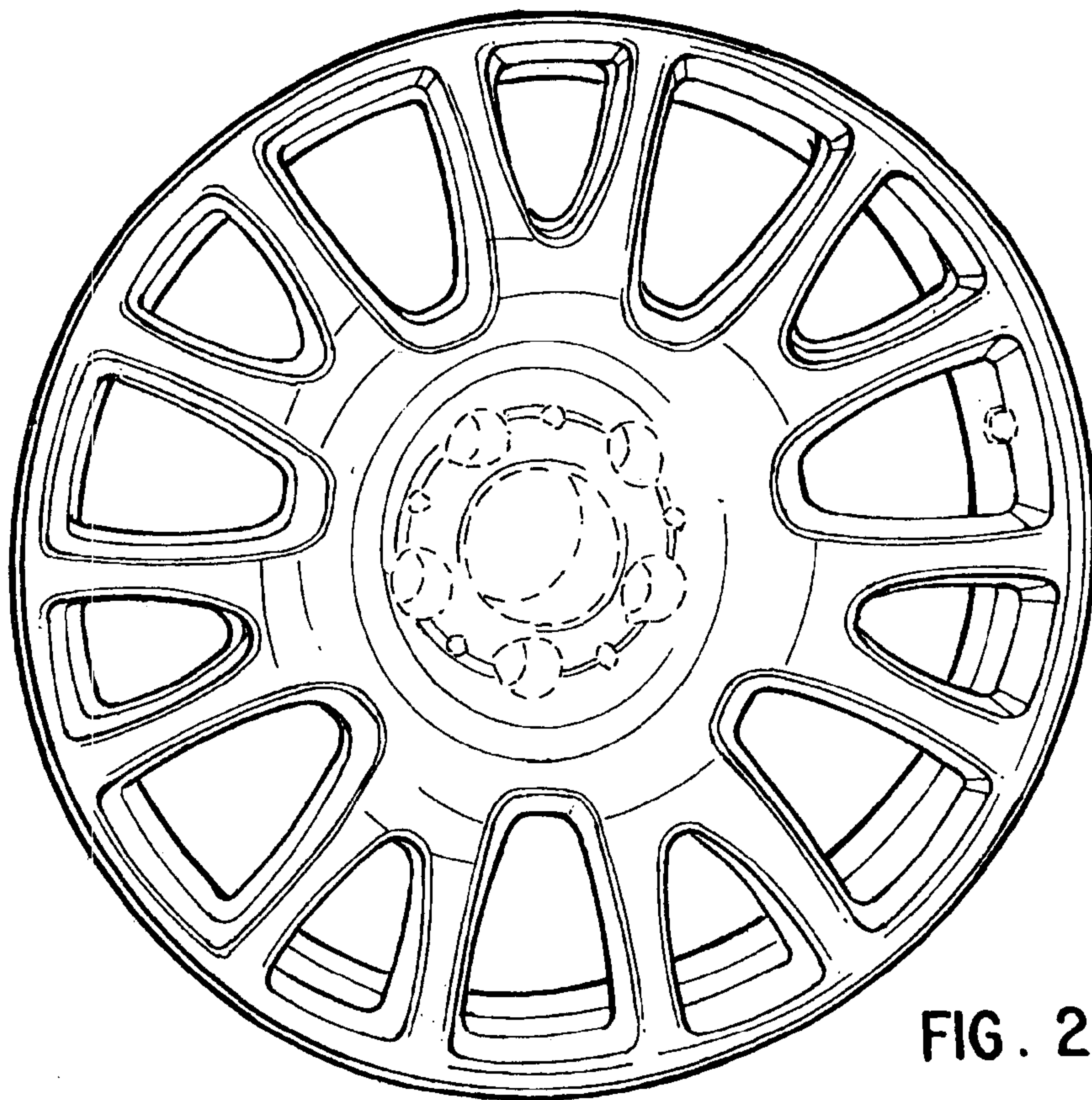


FIG. 2