



US00D527326S

(12) **United States Design Patent**  
**Pfeiffer**

(10) **Patent No.:** **US D527,326 S**

(45) **Date of Patent:** **\*\* Aug. 29, 2006**

(54) **FRONT FACE OF A VEHICLE WHEEL**

(75) Inventor: **Peter Pfeiffer**, Boeblingen (DE)

(73) Assignee: **DaimlerChrysler AG**, Stuttgart (DE)

(\*\*) Term: **14 Years**

(21) Appl. No.: **29/215,016**

(22) Filed: **Oct. 14, 2004**

(30) **Foreign Application Priority Data**

Apr. 27, 2004 (DE) ..... 40402627

(51) **LOC (8) Cl.** ..... **12-16**

(52) **U.S. Cl.** ..... **D12/209**

(58) **Field of Classification Search** ..... D12/204-213;  
301/37.101, 64.101, 65

See application file for complete search history.

(56) **References Cited**

**U.S. PATENT DOCUMENTS**

D360,179 S	*	7/1995	Fuller	.....	D12/211
D387,724 S	*	12/1997	Chung	.....	D12/209
D471,144 S	*	3/2003	Pfeiffer	.....	D12/209
D476,284 S	*	6/2003	Pfeiffer et al.	.....	D12/211
D507,775 S	*	7/2005	Pfeiffer	.....	D12/211
D510,307 S	*	10/2005	Howes	.....	D12/209

D512,360 S	*	12/2005	Boyer	.....	D12/211
D512,675 S	*	12/2005	Nagashima	.....	D12/209
D513,726 S	*	1/2006	Kamimura	.....	D12/211
D514,999 S	*	2/2006	Boyer	.....	D12/209
D516,490 S	*	3/2006	Baer	.....	D12/211

\* cited by examiner

*Primary Examiner*—Stacia Cadmus

(74) *Attorney, Agent, or Firm*—Crowell & Moring LLP

(57) **CLAIM**

The ornamental design for a front face of a vehicle wheel, as shown and described.

**DESCRIPTION**

FIG. 1 is a front view of a first embodiment of a front face of a vehicle wheel according to my novel design;

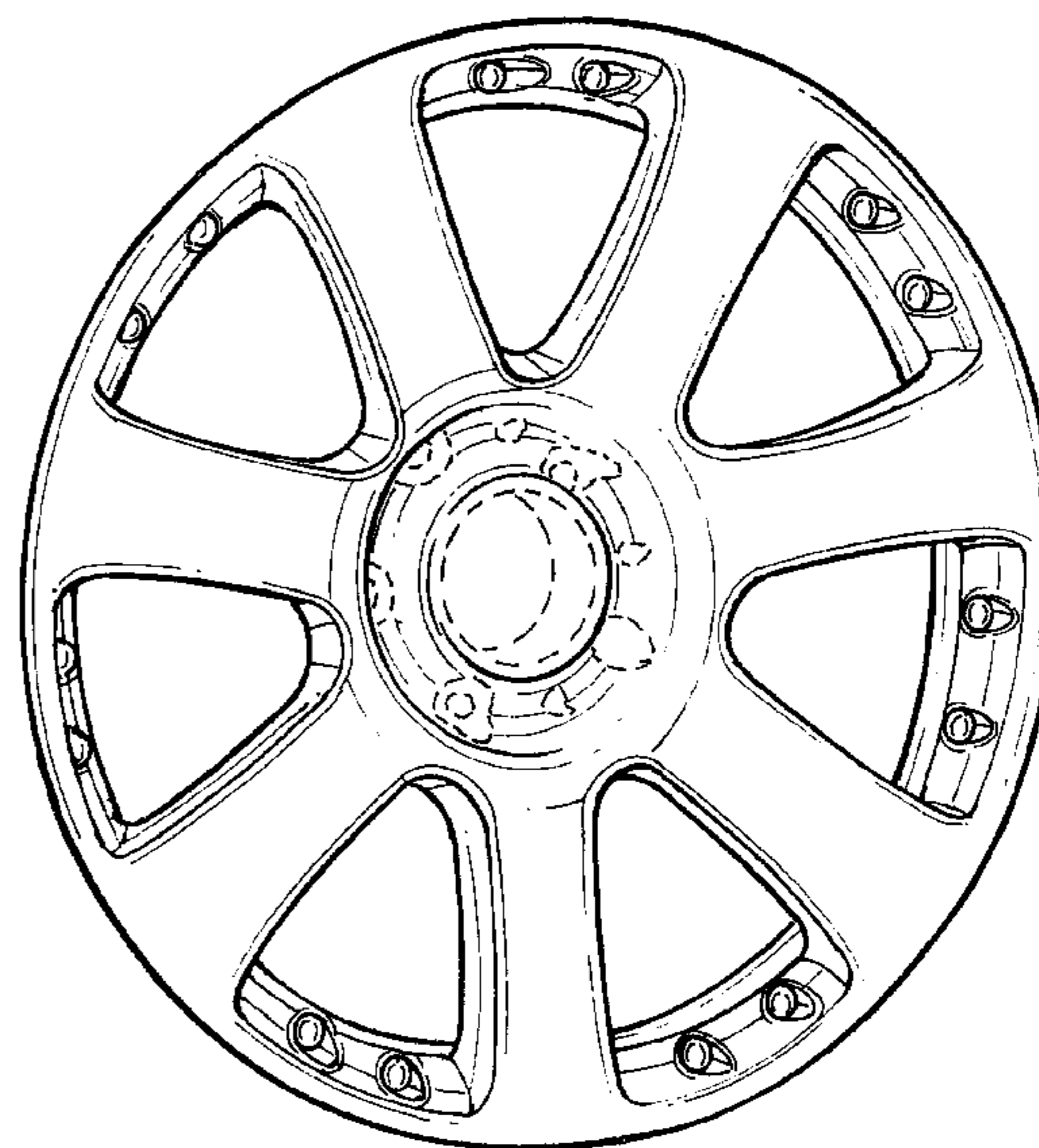
FIG. 2 is a perspective view of the first embodiment of the front face of a vehicle wheel according to my novel design;

FIG. 3 is a front view of a second embodiment of the front face of a vehicle wheel according to my novel design; and,

FIG. 4 is a perspective view of the second embodiment of the front face of a vehicle wheel according to my novel design.

The broken lines are for illustrative purposes only and form no part of the claimed design.

**1 Claim, 2 Drawing Sheets**



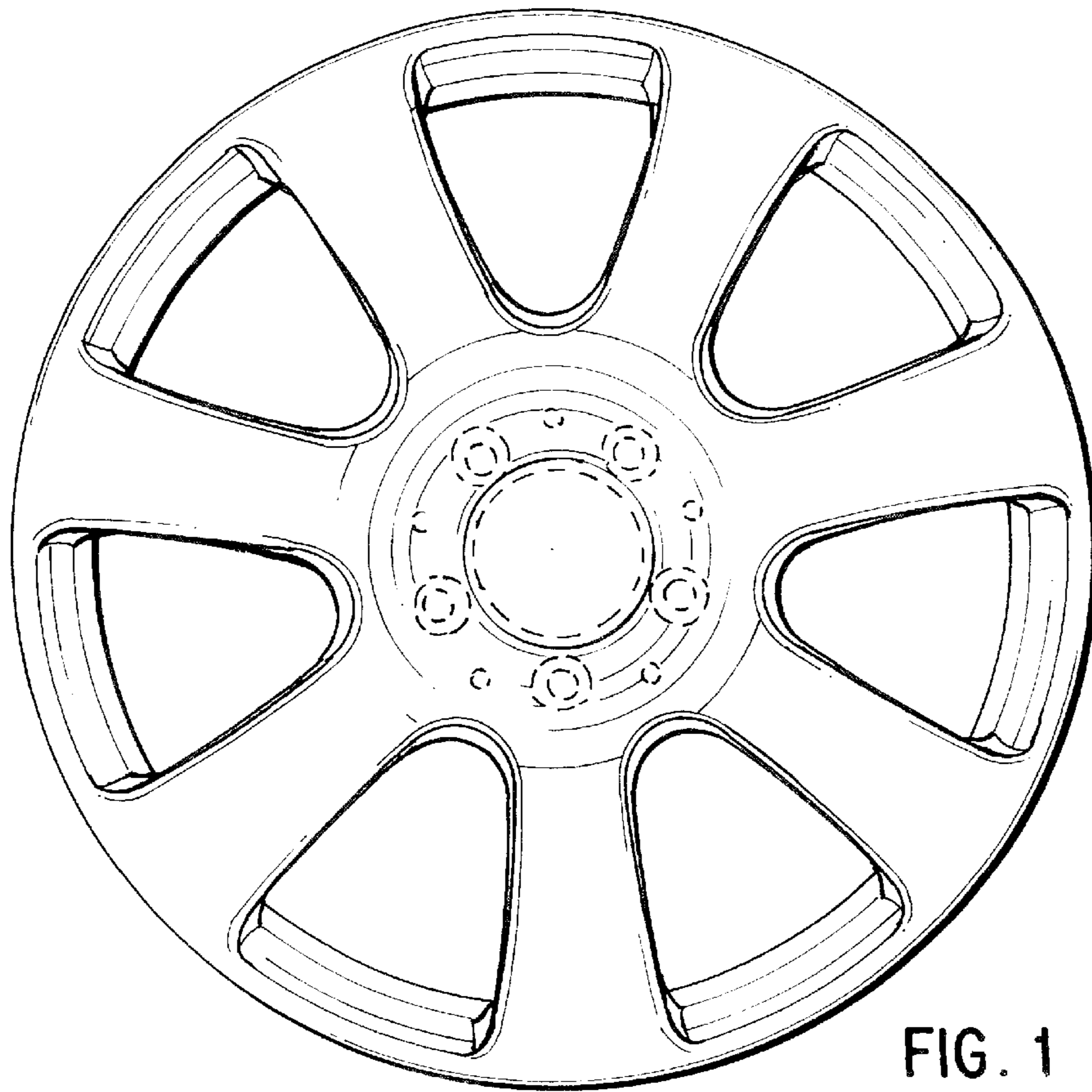


FIG. 1

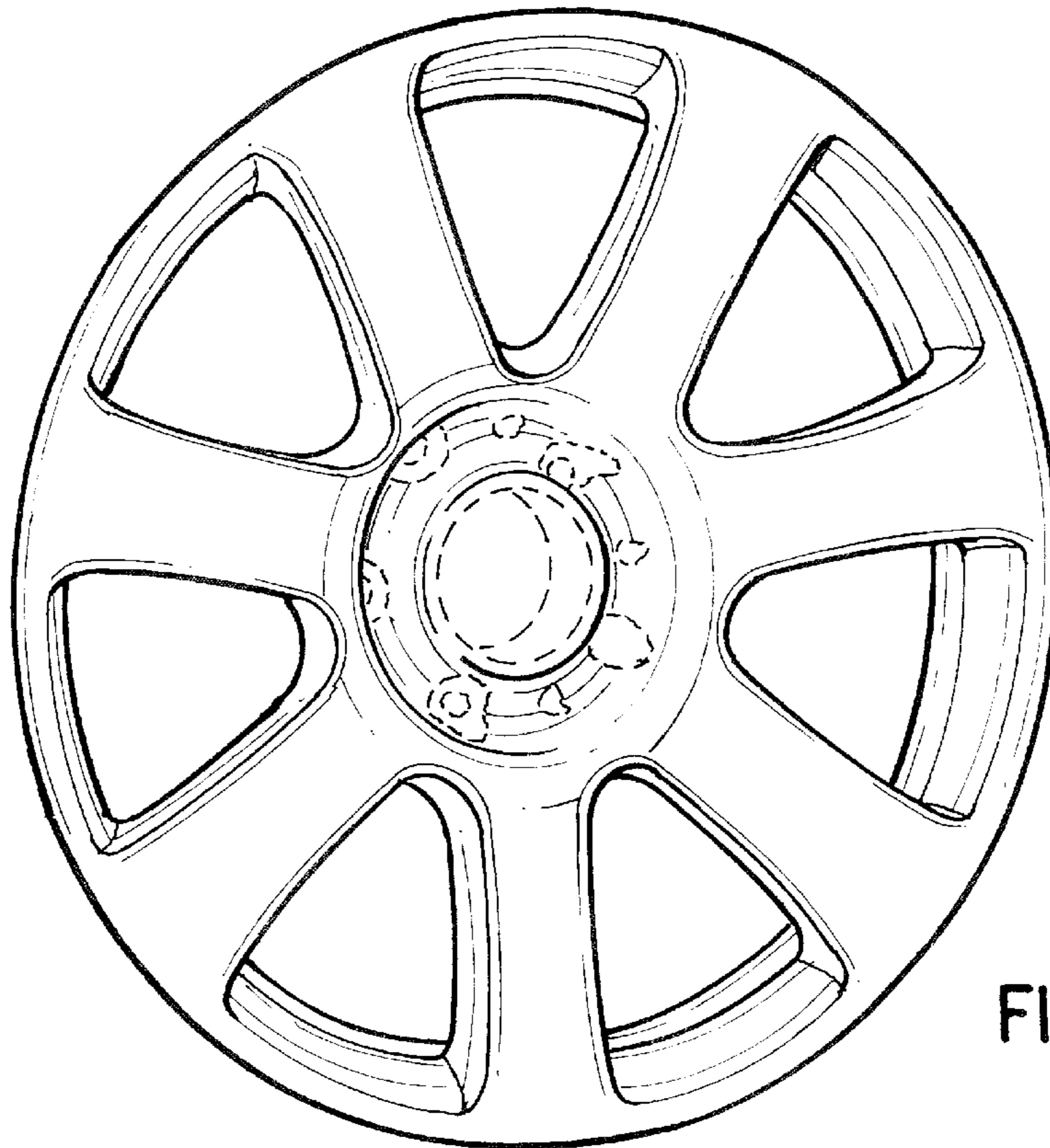


FIG. 2

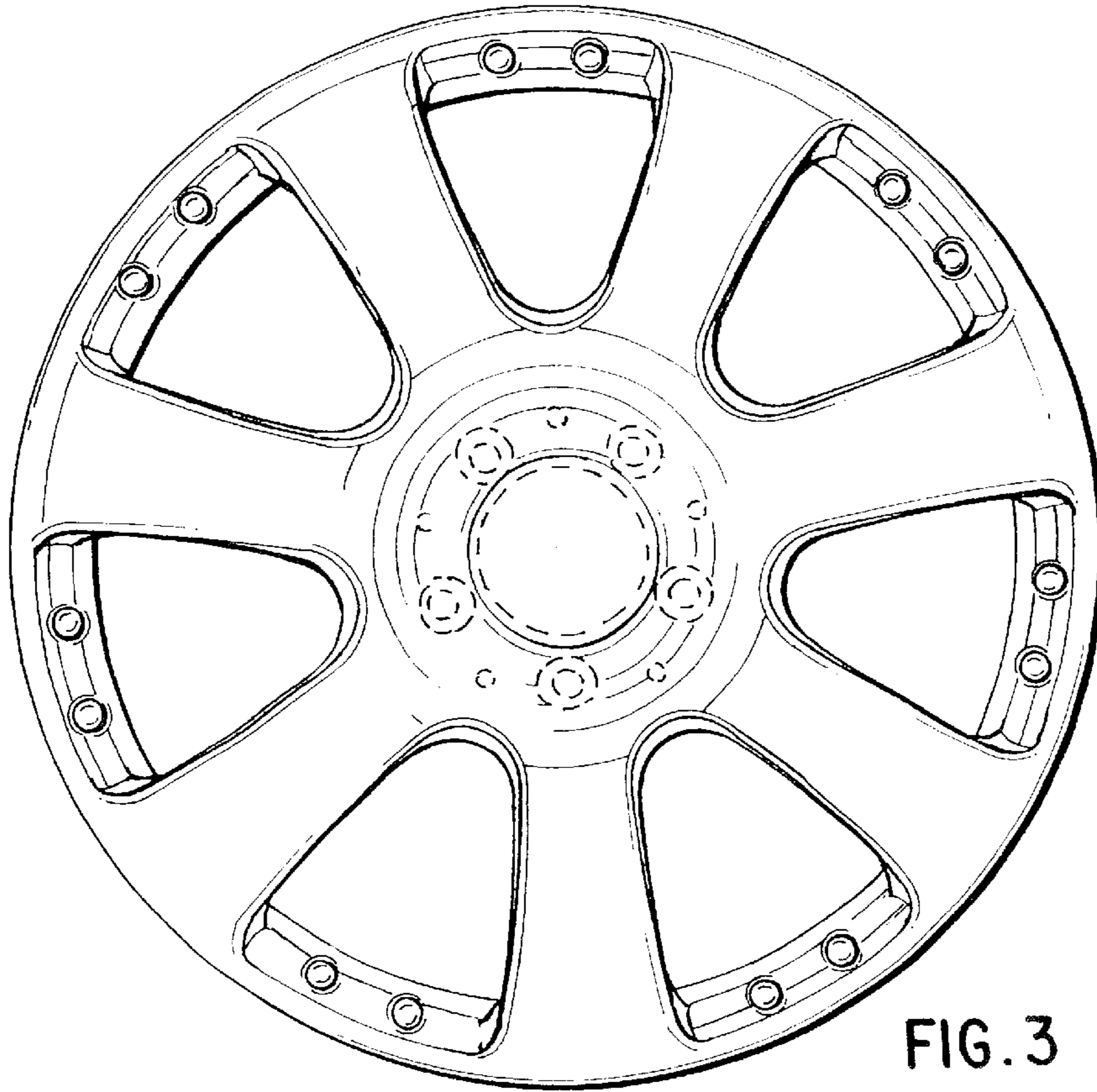


FIG. 3

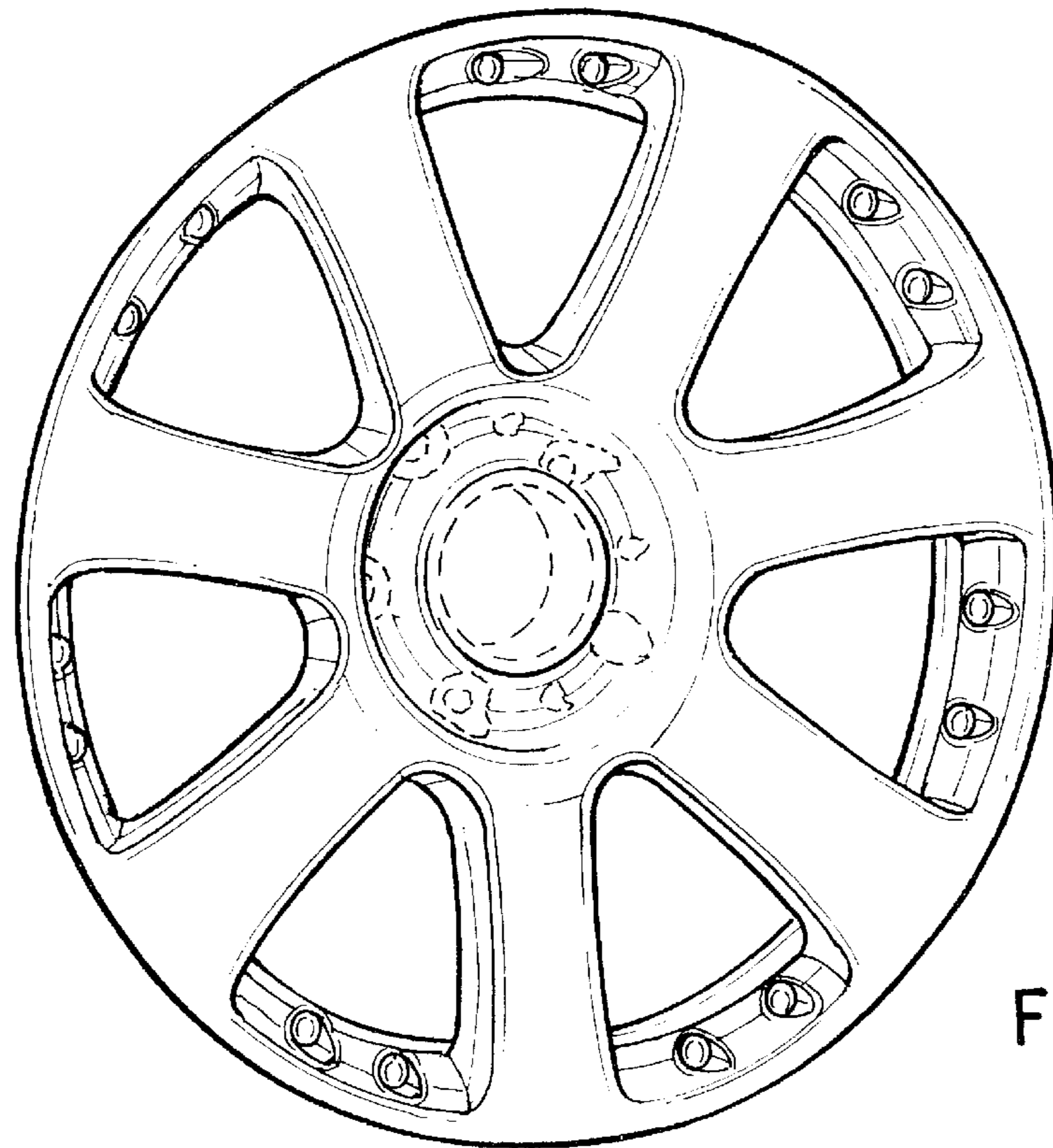


FIG. 4