

US00D527325S

(12) **United States Design Patent**
Nagashima

(10) **Patent No.:** **US D527,325 S**

(45) **Date of Patent:** **** Aug. 29, 2006**

(54) **FRONT FACE OF A VEHICLE WHEEL**

(75) Inventor: **Joji Nagashima**, Munich (DE)

(73) Assignee: **Bayerische Motoren Werke
Aktiengesellschaft**, Munich (DE)

(**) Term: **14 Years**

(21) Appl. No.: **29/211,180**

(22) Filed: **Aug. 12, 2004**

(30) **Foreign Application Priority Data**

Feb. 13, 2004 (DE) 4 04 00 998

(51) **LOC (8) Cl.** **12-16**

(52) **U.S. Cl.** **D12/209**

(58) **Field of Classification Search** D12/204-213;
301/37.101, 64.101, 65

See application file for complete search history.

(56) **References Cited**

U.S. PATENT DOCUMENTS

- D259,484 S * 6/1981 Welburn D12/209
- D419,517 S * 1/2000 Sacco et al. D12/211
- D432,479 S * 10/2000 Lee et al. D12/209
- D436,070 S * 1/2001 Lee D12/209
- D442,535 S * 5/2001 Lotson D12/209
- D480,672 S * 10/2003 Pfeiffer et al. D12/209

- D488,762 S * 4/2004 Cahyono D12/209
- D493,405 S * 7/2004 Boyer D12/211
- D494,124 S * 8/2004 Aiello et al. D12/211
- D499,681 S * 12/2004 Boyer D12/209
- D500,470 S * 1/2005 Rice D12/211
- D503,917 S * 4/2005 Kushartanto D12/209
- D503,918 S * 4/2005 Fahr-Becker D12/211

FOREIGN PATENT DOCUMENTS

EP 00016513-0002 12/2004

* cited by examiner

Primary Examiner—Stacia Cadmus

(74) *Attorney, Agent, or Firm*—Crowell & Moring LLP

(57) **CLAIM**

The ornamental design for a front face of a vehicle wheel, as shown and described.

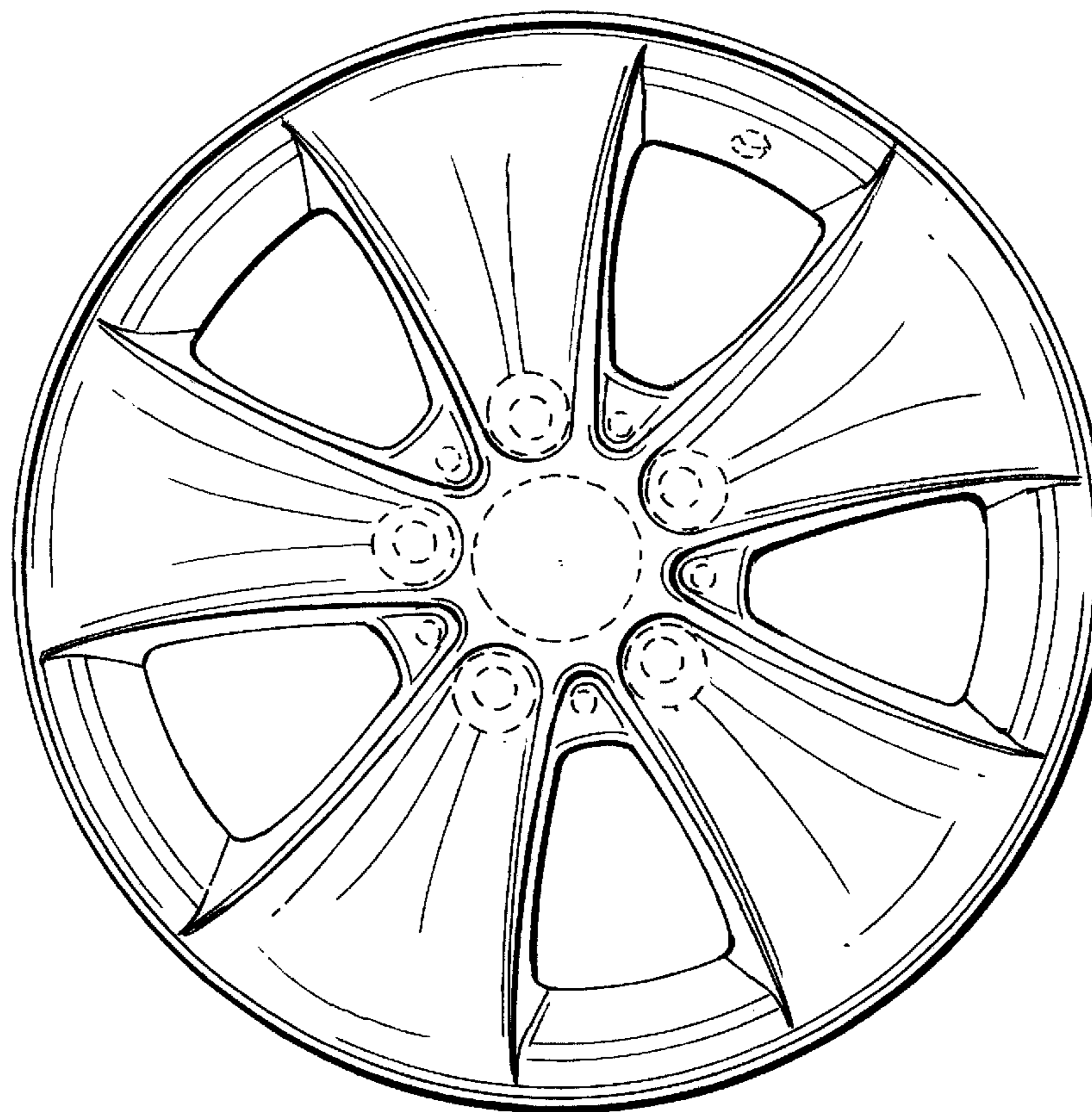
DESCRIPTION

FIG. 1 is a front view of a front of a vehicle wheel according to my novel design; and,

FIG. 2 is a perspective view of the front face of a vehicle wheel according to my novel design.

The broken lines are for illustrative purposes only and form no part of the claimed design. Also enclosed is a set of photographs of an embodiment of the design.

1 Claim, 1 Drawing Sheet



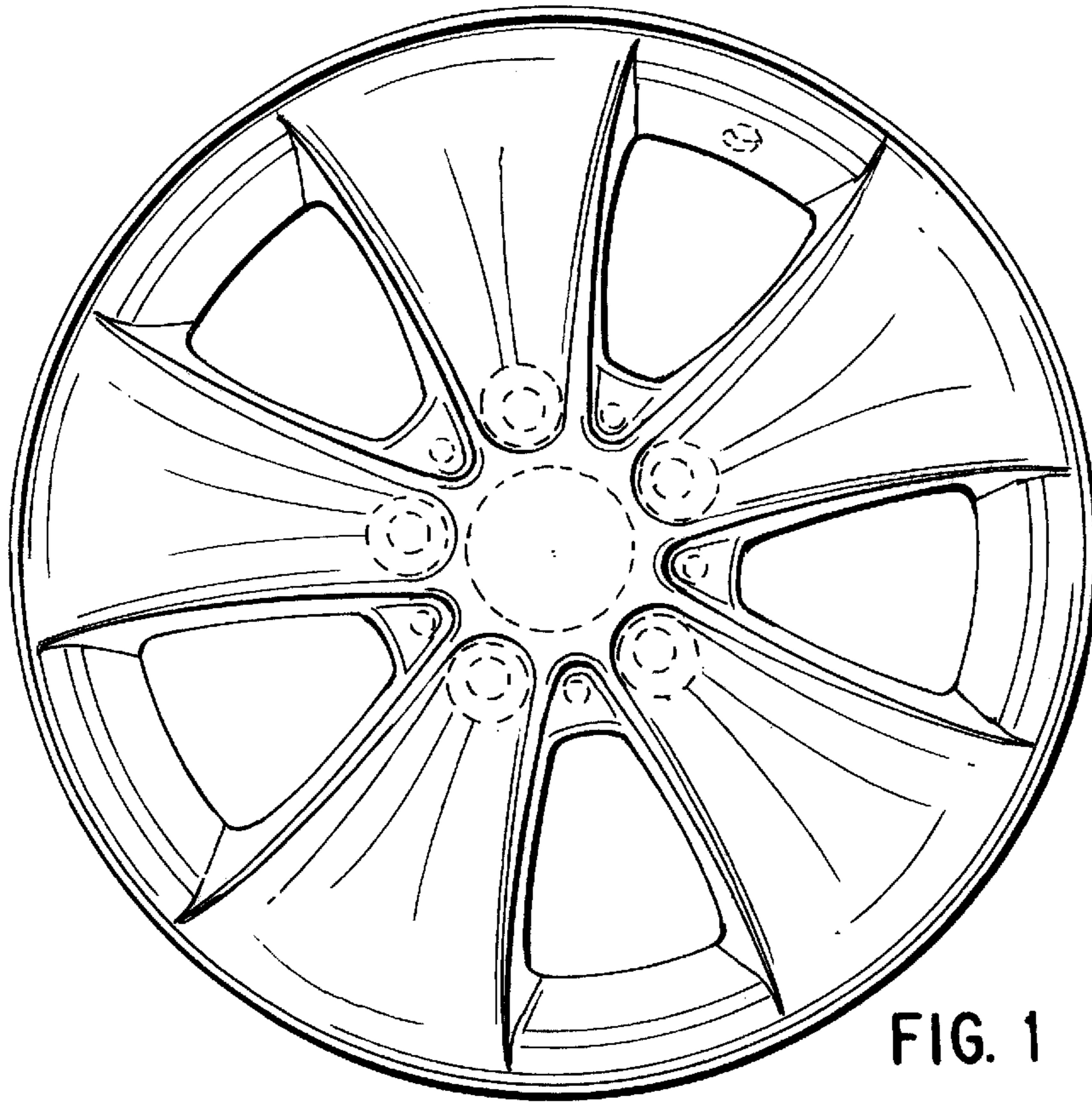


FIG. 1

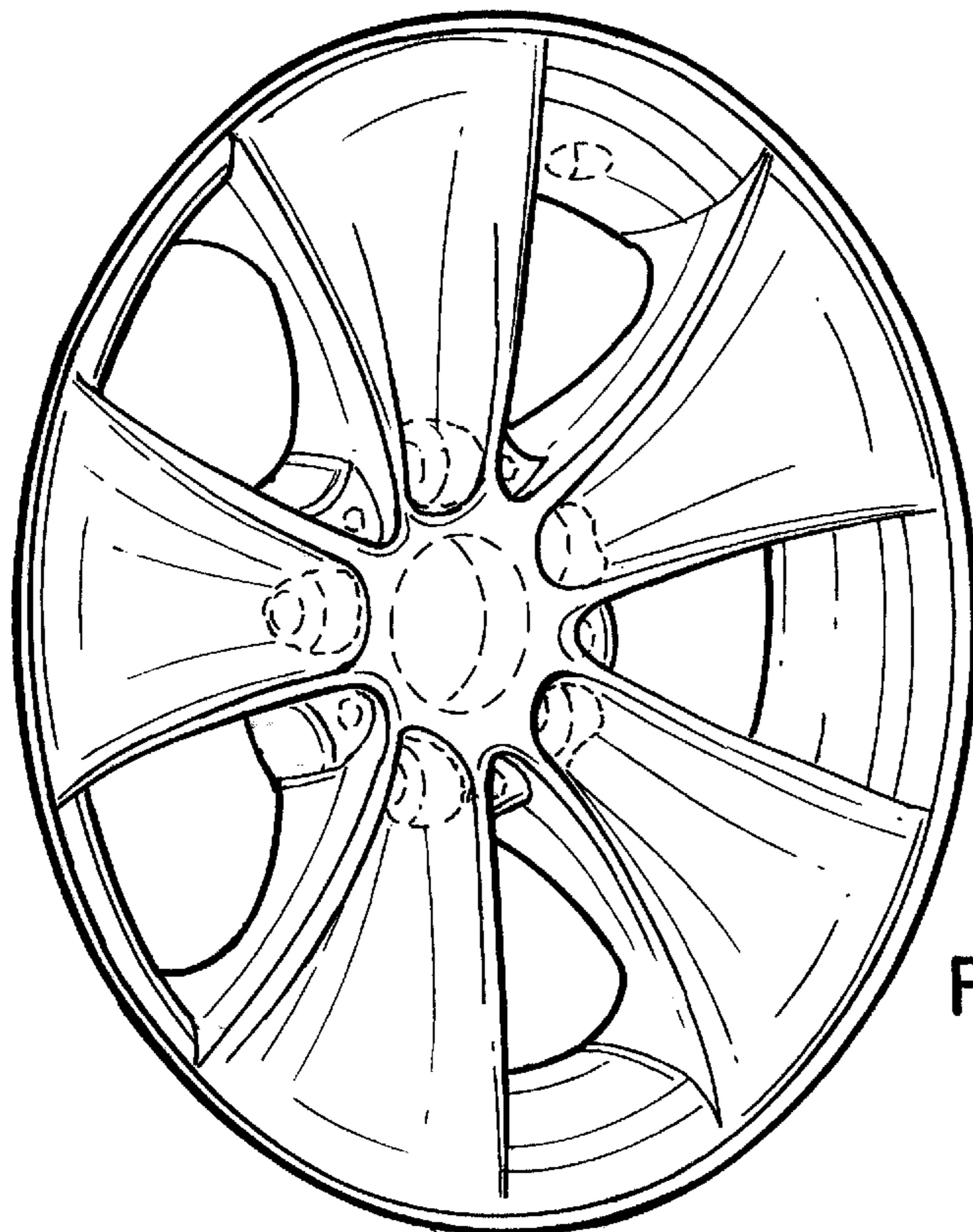


FIG. 2