



US00D527324S

(12) **United States Design Patent**
Whitehead

(10) **Patent No.:** **US D527,324 S**

(45) **Date of Patent:** **** Aug. 29, 2006**

(54) **WHEEL**

(76) Inventor: **Jerald M. Whitehead**, 12570 SR 21,
Boise, ID (US) 83716

(**) Term: **14 Years**

(21) Appl. No.: **29/208,191**

(22) Filed: **Jun. 23, 2004**

Related U.S. Application Data

(62) Division of application No. 29/164,090, filed on Jul. 17,
2002, now Pat. No. Des. 492,923.

(51) **LOC (8) Cl.** **12-16**

(52) **U.S. Cl.** **D12/204**

(58) **Field of Classification Search** D12/204-213;
301/37.101, 64.101, 65

See application file for complete search history.

(56) **References Cited**

U.S. PATENT DOCUMENTS

D89,687 S	4/1933	Eksergian et al.
D190,640 S	6/1961	Hibbard
D190,641 S	6/1961	Hibbard
D190,642 S	6/1961	Hibbard
D190,644 S	6/1961	Hibbard

D257,508 S	11/1980	Schinella
D332,441 S	1/1993	Douglas, Jr.
D338,866 S	8/1993	Teufel
D338,867 S	8/1993	Teufel
D369,775 S	5/1996	Choi
D384,021 S	9/1997	Hoxie
D449,265 S	10/2001	Hull
D492,923 S	* 7/2004	Whitehead D12/204

* cited by examiner

Primary Examiner—Stacia Cadmus

(74) *Attorney, Agent, or Firm*—Christensen O'Connor
Johnson Kindness PLLC

(57) **CLAIM**

I claim the ornamental design for a wheel, as shown and
described.

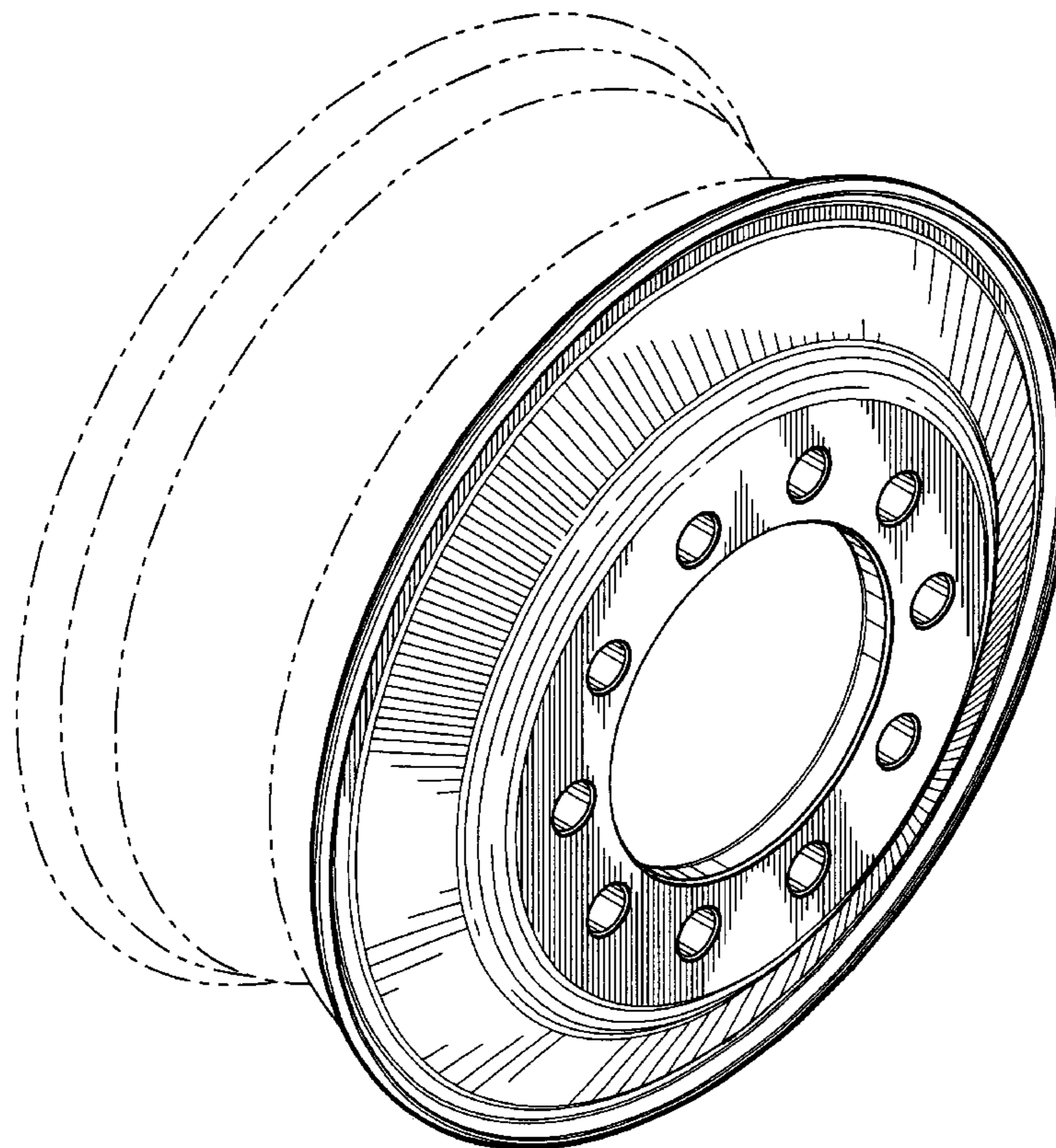
DESCRIPTION

FIG. 1 is a perspective view of the present design of a wheel;
FIG. 2 is a front view thereof; the rear view being unorna-
mented; and,

FIG. 3 is a left side view thereof; the right side view being
a mirror image of the left side.

The broken line showing of environment is for illustrative
purposes only and forms no part of the claimed design.

1 Claim, 3 Drawing Sheets



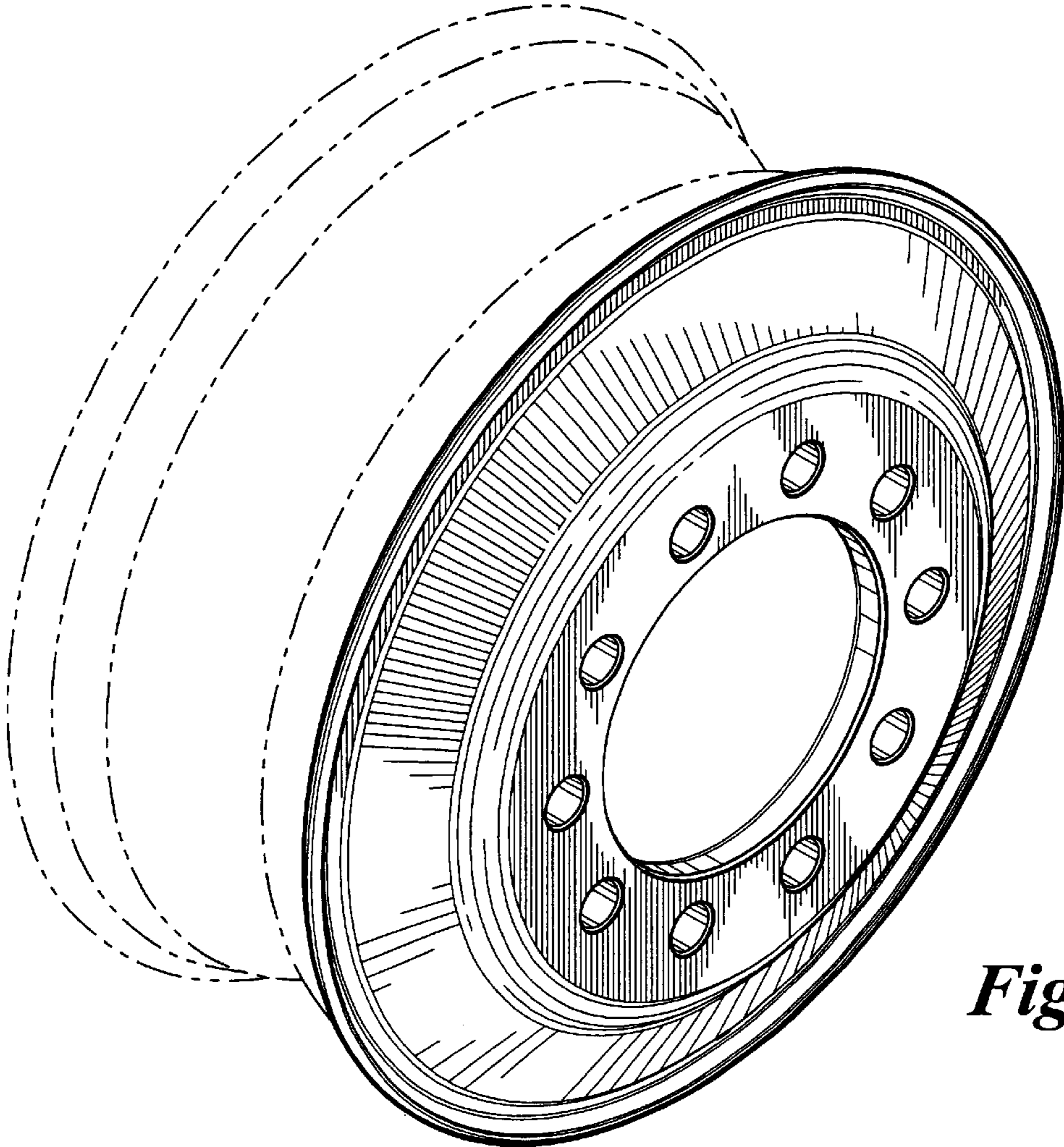


Fig. 1.

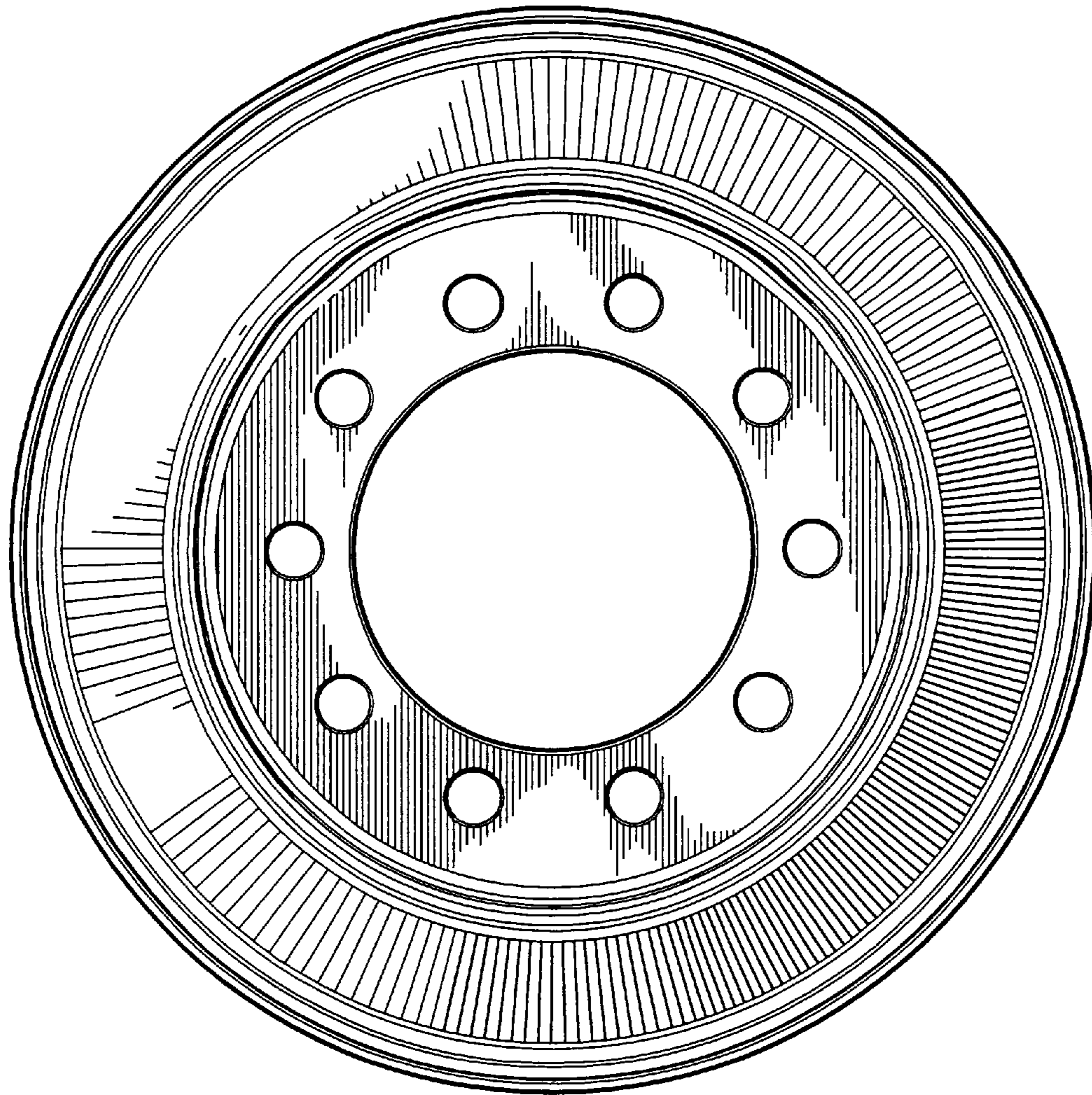


Fig. 2.

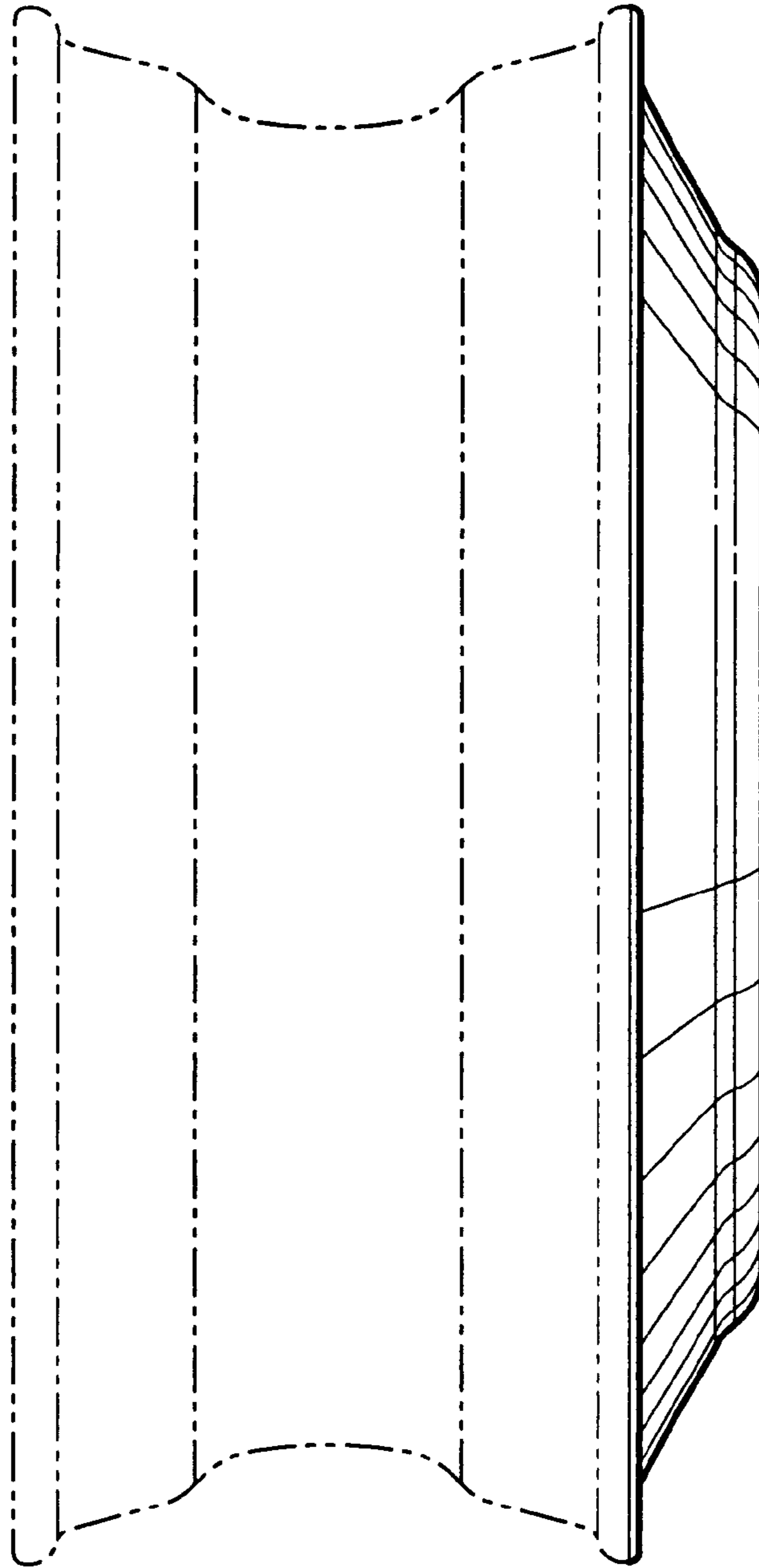


Fig. 3.