

US00D527323S

(12) **United States Design Patent** (10) **Patent No.:** **US D527,323 S**
Storer (45) **Date of Patent:** **** Aug. 29, 2006**

(54) **VEHICLE TRAILER HITCH STEP**
(75) Inventor: **Ron Storer**, Villa Park, CA (US)
(73) Assignee: **Xtreme Metal Fab., Inc.**, Brea, CA (US)
(**) Term: **14 Years**

4,536,004 A 8/1985 Brynielsson et al.
4,570,962 A 2/1986 Chavira
4,623,160 A 11/1986 Trudell
4,639,032 A 1/1987 Barbour
4,679,810 A 7/1987 Kimball
4,708,355 A 11/1987 Tiede
D296,431 S 6/1988 Yont
4,753,447 A 6/1988 Hall

(Continued)

(21) Appl. No.: **29/245,240**
(22) Filed: **Dec. 21, 2005**

Primary Examiner—Stacia Cadmus
(74) *Attorney, Agent, or Firm*—Stetina Brunda Garred & Brucker

(51) **LOC (8) Cl.** **12-16**
(52) **U.S. Cl.** **D12/203**
(58) **Field of Classification Search** D12/203,
D12/162; 280/163-169, 500, 153.5, 848;
182/88-92, 95-96; 428/81-82; D25/62-63,
D25/68-69; 296/62

(57) **CLAIM**

The ornamental design for a vehicle trailer hitch step, as shown and described.

See application file for complete search history.

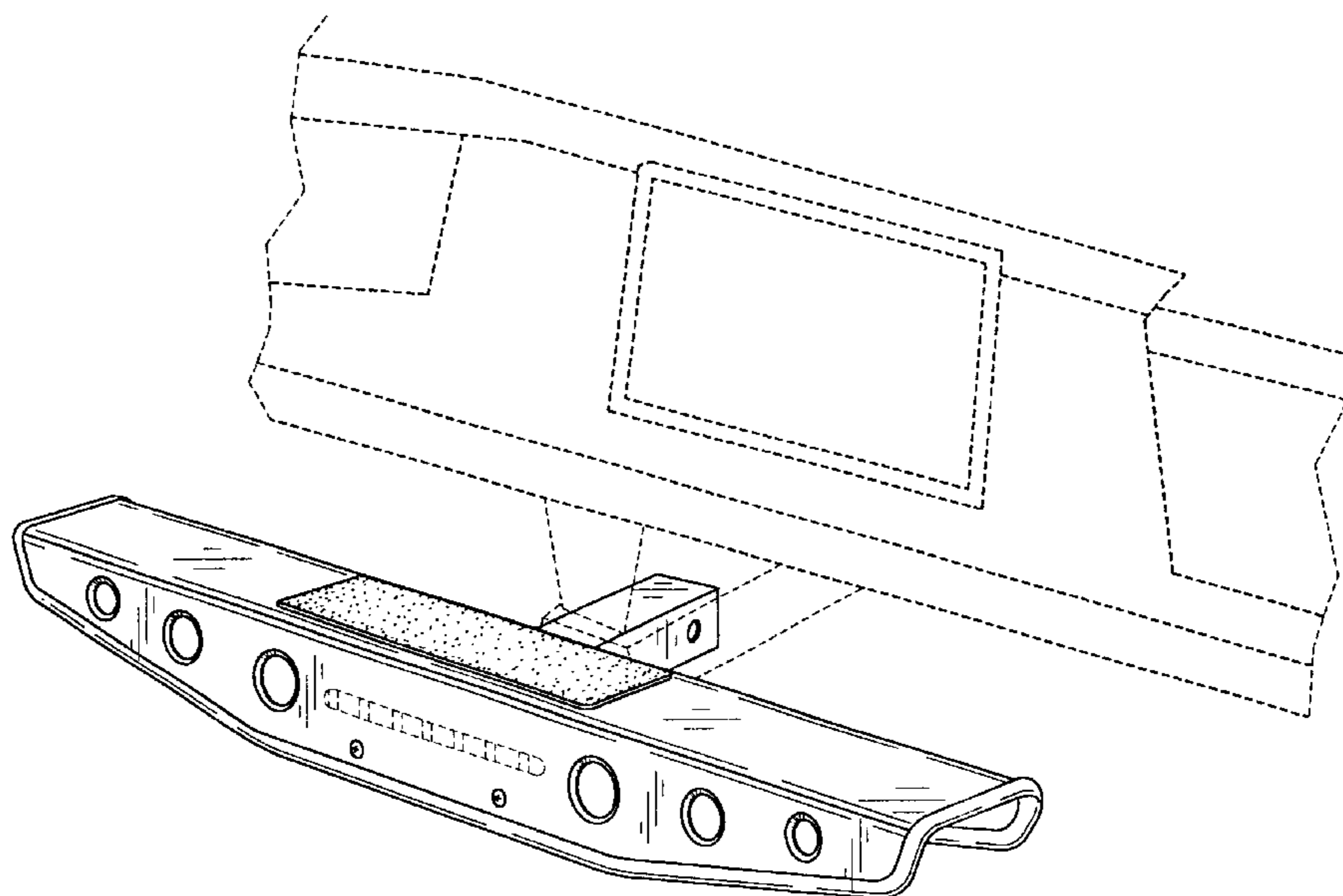
DESCRIPTION

(56) **References Cited**
U.S. PATENT DOCUMENTS

2,649,308 A 8/1953 Bice, Jr.
3,774,952 A 11/1973 Zorn
3,967,695 A 7/1976 Waddell
3,976,164 A 8/1976 Miller
4,017,093 A 4/1977 Stecker
4,021,071 A 5/1977 Norman
4,073,502 A 2/1978 Frank et al.
4,106,790 A 8/1978 Weiler
4,110,673 A 8/1978 Nagy et al.
4,180,143 A 12/1979 Clugston
4,185,849 A 1/1980 Jaeger
4,231,583 A 11/1980 Learn
4,274,648 A 6/1981 Robins
4,312,515 A 1/1982 Allori
D276,716 S 12/1984 Dignan

FIG. 1 is a front perspective view of the vehicle trailer hitch step of the present invention showing my new design with the dotted lines solely depicting environmental structure and forming no part of the claimed design;
FIG. 2 is a top perspective view thereof with the dotted lines solely depicting environmental structure and forming no part of the claimed design;
FIG. 3 is a front plan view thereof with the dotted lines solely depicting environmental structure and forming no part of the claimed design;
FIG. 4 is a bottom plan view thereof with the dotted lines solely depicting environmental structure and forming no part of the claimed design;
FIG. 5 is a side elevational view thereof; and,
FIG. 6 is a rear elevational view thereof.

1 Claim, 2 Drawing Sheets



US D527,323 S

Page 2

| U.S. PATENT DOCUMENTS | | | | | |
|-----------------------|----|-------------------------|-----------|----|------------------------------------|
| 4,825,975 | A | 5/1989 Symes | D463,345 | S | * 9/2002 Cipolla D12/203 |
| D315,134 | S | 3/1991 Springer | D464,919 | S | * 10/2002 Pichan D12/162 |
| D320,592 | S | 10/1991 Straka | 6,471,002 | B1 | 10/2002 Weinerman |
| 5,067,760 | A | 11/1991 Moore et al. | 6,530,588 | B1 | 3/2003 Varney et al. |
| 5,137,293 | A | 8/1992 Graves et al. | 6,588,781 | B1 | 7/2003 Pohill et al. |
| 5,137,294 | A | 8/1992 Martin | 6,612,595 | B1 | 9/2003 Storer |
| 5,139,295 | A | 8/1992 Escobedo | 6,641,158 | B1 | 11/2003 Leitner |
| D330,536 | S | 10/1992 Holloway et al. | 6,659,484 | B1 | 12/2003 Knodle et al. |
| 5,199,731 | A | 4/1993 Martin | 6,682,085 | B1 | 1/2004 Furuhashi et al. |
| 5,228,707 | A | 7/1993 Yoder | 6,682,086 | B1 | 1/2004 Erickson |
| 5,265,896 | A | 11/1993 Kravitz | D489,297 | S | * 5/2004 Pichan D12/162 |
| D361,319 | S | 8/1995 Orth, Sr. et al. | D491,509 | S | * 6/2004 Bundy D12/203 |
| 5,498,012 | A | 3/1996 McDaniel | 6,742,793 | B1 | 6/2004 Henriksen et al. |
| 5,505,476 | A | 4/1996 Maccabee | D495,283 | S | 8/2004 Ashley et al. |
| 5,538,269 | A | 7/1996 McDaniel et al. | 6,769,704 | B1 | 8/2004 Cipolla |
| 5,547,040 | A | 8/1996 Hanser et al. | 6,830,257 | B1 | 12/2004 Leitner |
| D381,948 | S | 8/1997 Schult | 6,834,875 | B1 | 12/2004 Leitner et al. |
| 5,678,872 | A | 10/1997 Slater | 6,840,526 | B1 | 1/2005 Anderson et al. |
| 5,738,362 | A | 4/1998 Ludwick | 6,880,843 | B1 | 4/2005 Greer, Jr. |
| 5,799,961 | A | 9/1998 Schmeets | D505,901 | S | 6/2005 Wang |
| D415,727 | S | 10/1999 Jeffries | D505,902 | S | 6/2005 Goldstein |
| 6,050,579 | A | 4/2000 Selland et al. | 6,935,647 | B1 | 8/2005 Knodle et al. |
| D428,591 | S | 7/2000 Jeffries | 6,938,909 | B1 | 9/2005 Leitner |
| 6,082,751 | A | 7/2000 Hanes et al. | 6,942,233 | B1 | 9/2005 Leitner et al. |
| D434,711 | S | 12/2000 McQuiston | 6,942,272 | B1 | 9/2005 Livingston |
| D436,336 | S | 1/2001 Sadr | D511,319 | S | * 11/2005 Wang D12/203 |
| D444,754 | S | 7/2001 Storer | D513,217 | S | * 12/2005 Daws et al. D12/203 |
| 6,375,207 | B1 | 4/2002 Dean et al. | | | |

* cited by examiner

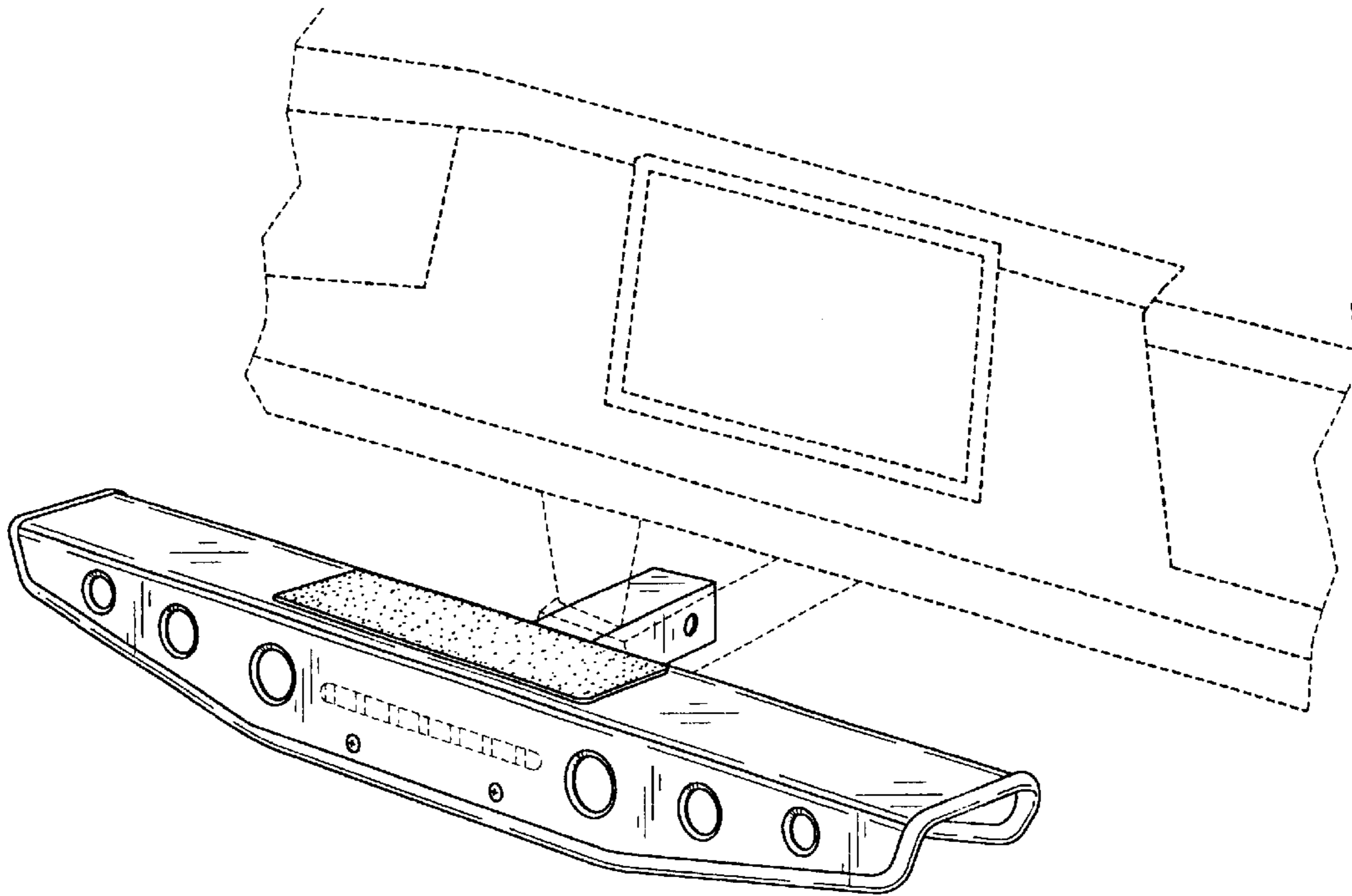


Fig. 1

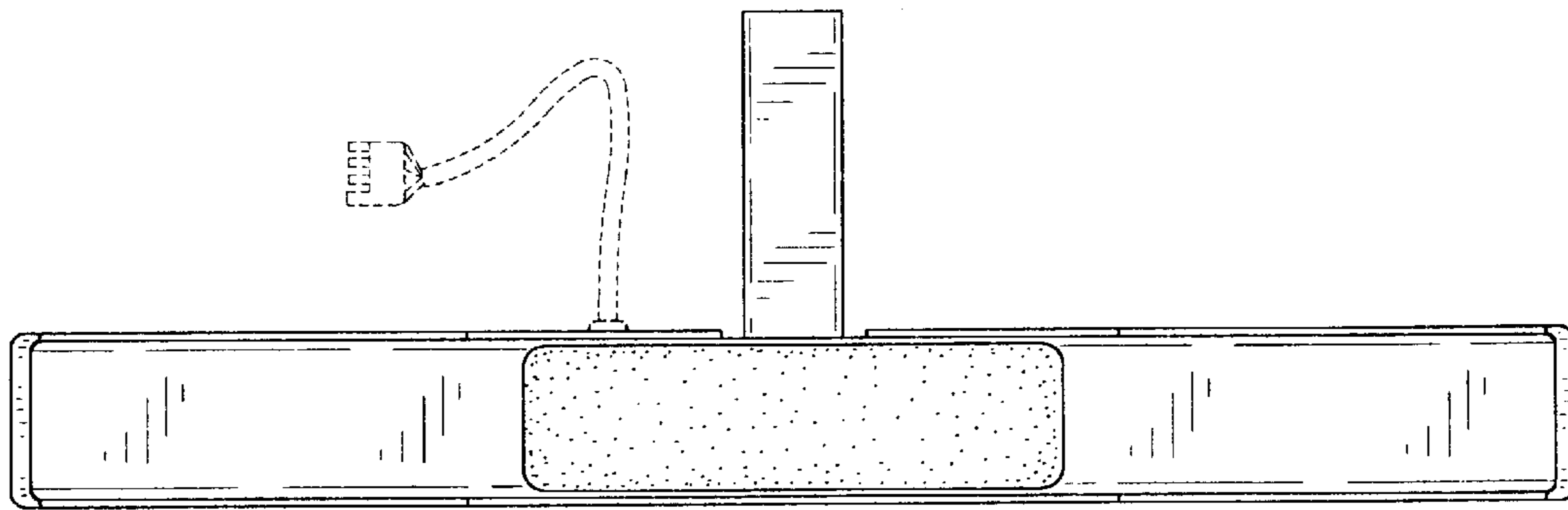


Fig. 2

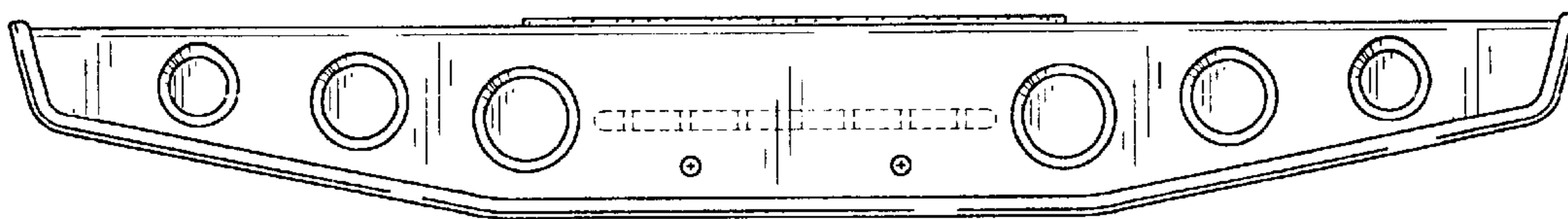


Fig. 3

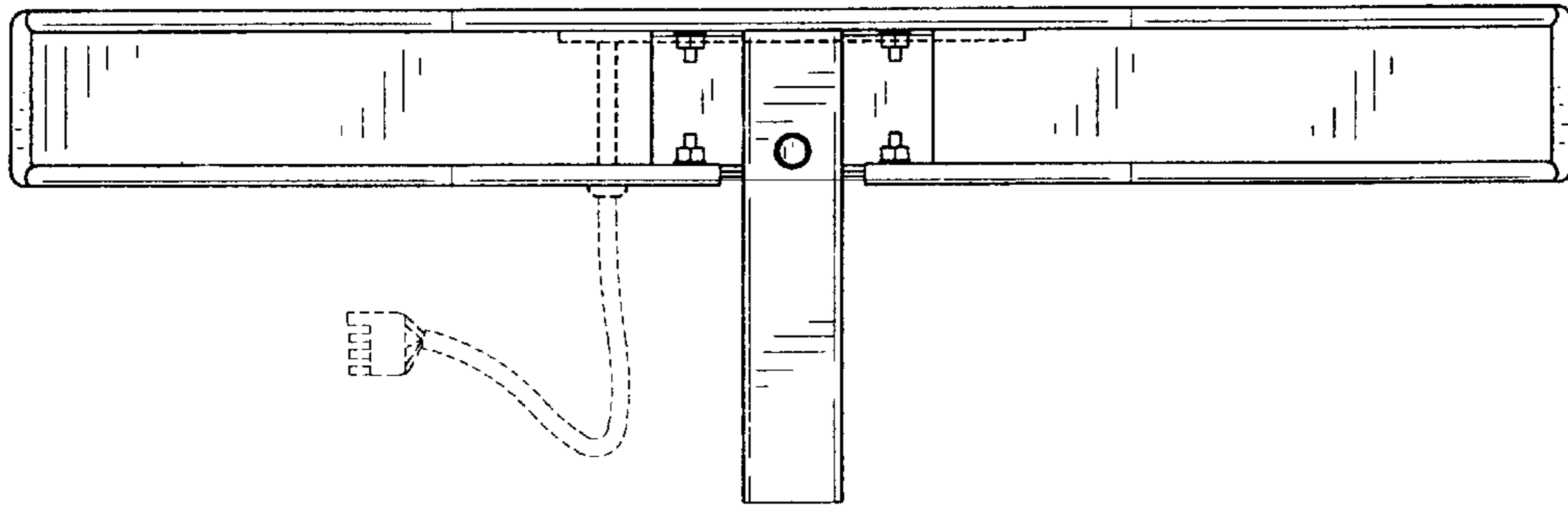


Fig. 4

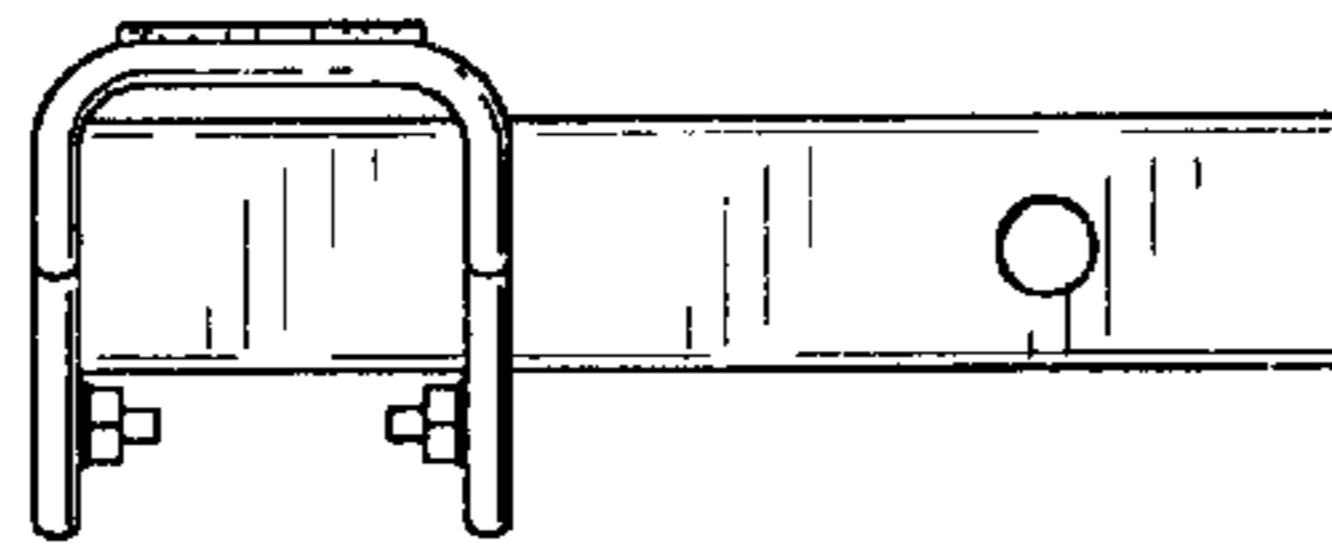


Fig. 5

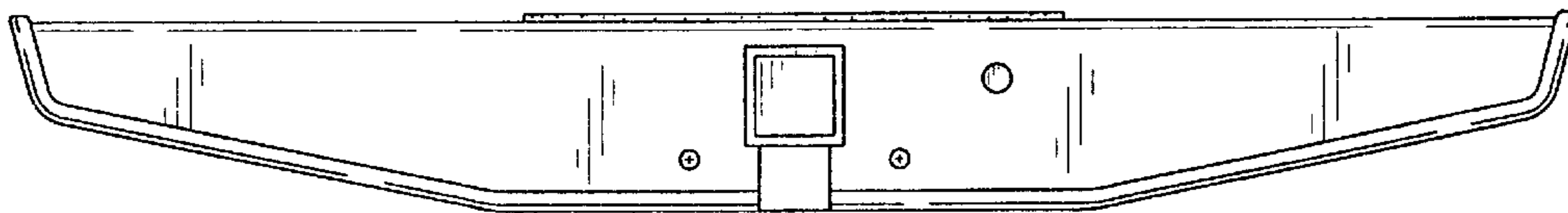


Fig. 6