

US00D527322S

(12) **United States Design Patent**
Brown

(10) **Patent No.:** **US D527,322 S**

(45) **Date of Patent:** **** Aug. 29, 2006**

(54) **VEHICLE TRUNK LID**

(75) Inventor: **Roger Brown**, Corona, CA (US)

(73) Assignee: **Honda Motor Co., Ltd.**, Tokyo (JP)

(**) Term: **14 Years**

(21) Appl. No.: **29/235,920**

(22) Filed: **Aug. 8, 2005**

(51) **LOC (8) Cl.** **12-16**

(52) **U.S. Cl.** **D12/196**

(58) **Field of Classification Search** D12/90-92,
D12/86, 196; 180/69.1, 69.2; 296/181.1
See application file for complete search history.

(56) **References Cited**

U.S. PATENT DOCUMENTS

D417,645 S	*	12/1999	Horbury et al.	D12/196
D419,510 S	*	1/2000	Sacco et al.	D12/196
D428,376 S	*	7/2000	Sacco et al.	D12/196
D440,532 S	*	4/2001	Sacco et al.	D12/196
D452,468 S	*	12/2001	Sacco et al.	D12/196
D459,283 S	*	6/2002	Sinkwitz	D12/196
D467,850 S	*	12/2002	Warming	D12/196

D470,804 S	*	2/2003	Chan	D12/169
D476,936 S	*	7/2003	Boyer	D12/196
D495,983 S	*	9/2004	Pfeiffer et al.	D12/196
D514,042 S	*	1/2006	Pfeiffer et al.	D12/196
D514,491 S	*	2/2006	Nagashima	D12/196

* cited by examiner

Primary Examiner—Melody N. Brown

(74) *Attorney, Agent, or Firm*—Plumsea Law Group, LLC

(57) **CLAIM**

The ornamental design for a vehicle trunk lid, as shown and described.

DESCRIPTION

FIG. 1 is a perspective view of a vehicle trunk lid showing my new design;

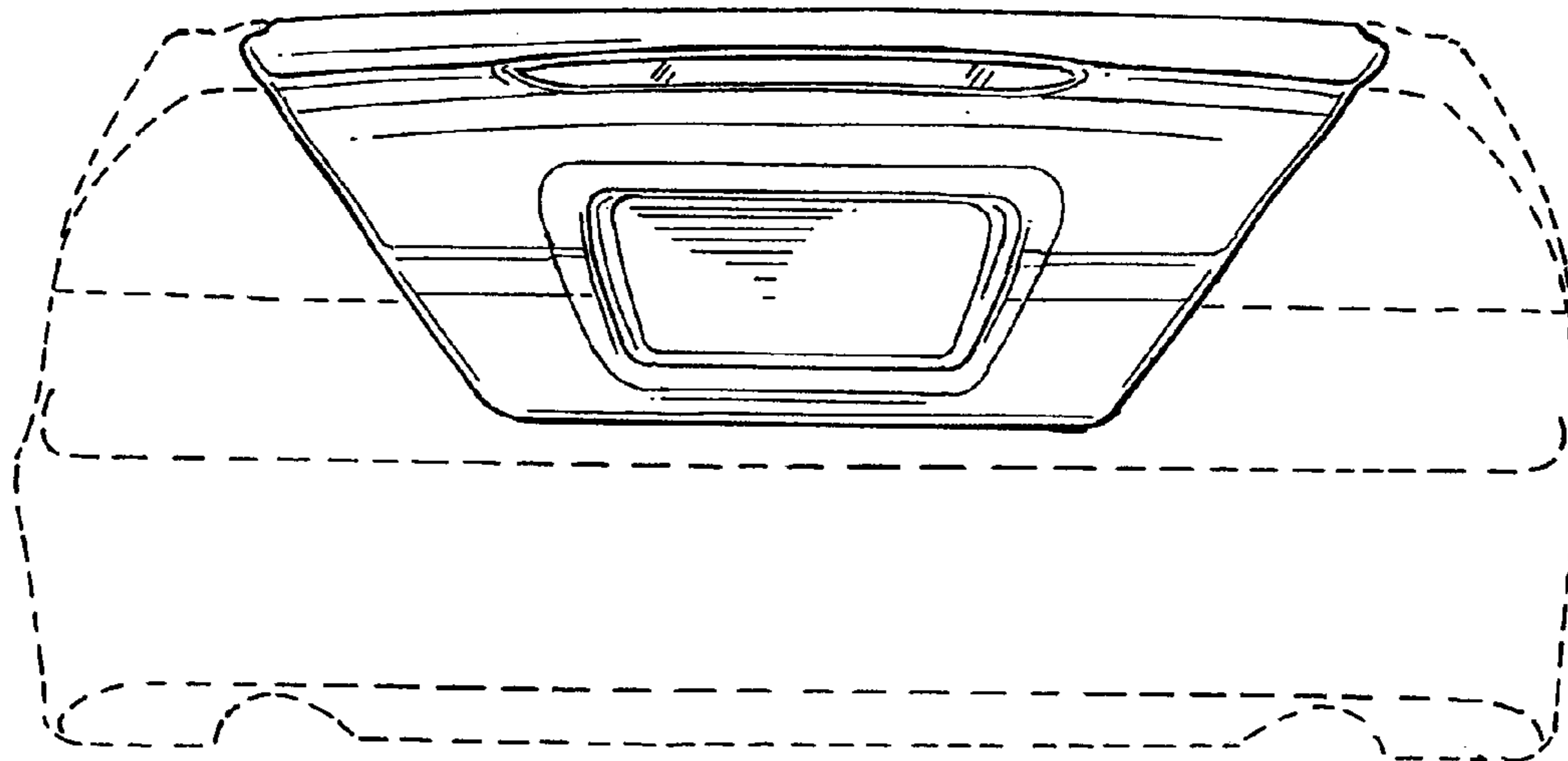
FIG. 2 is a rear elevational view thereof;

FIG. 3 is a top plan view thereof; and,

FIG. 4 is a side elevational view, the opposite side elevational view being a mirror image thereof.

The broken line showings of the remainder of the vehicle are for illustrative purposes only and form no part of the claimed design.

1 Claim, 2 Drawing Sheets



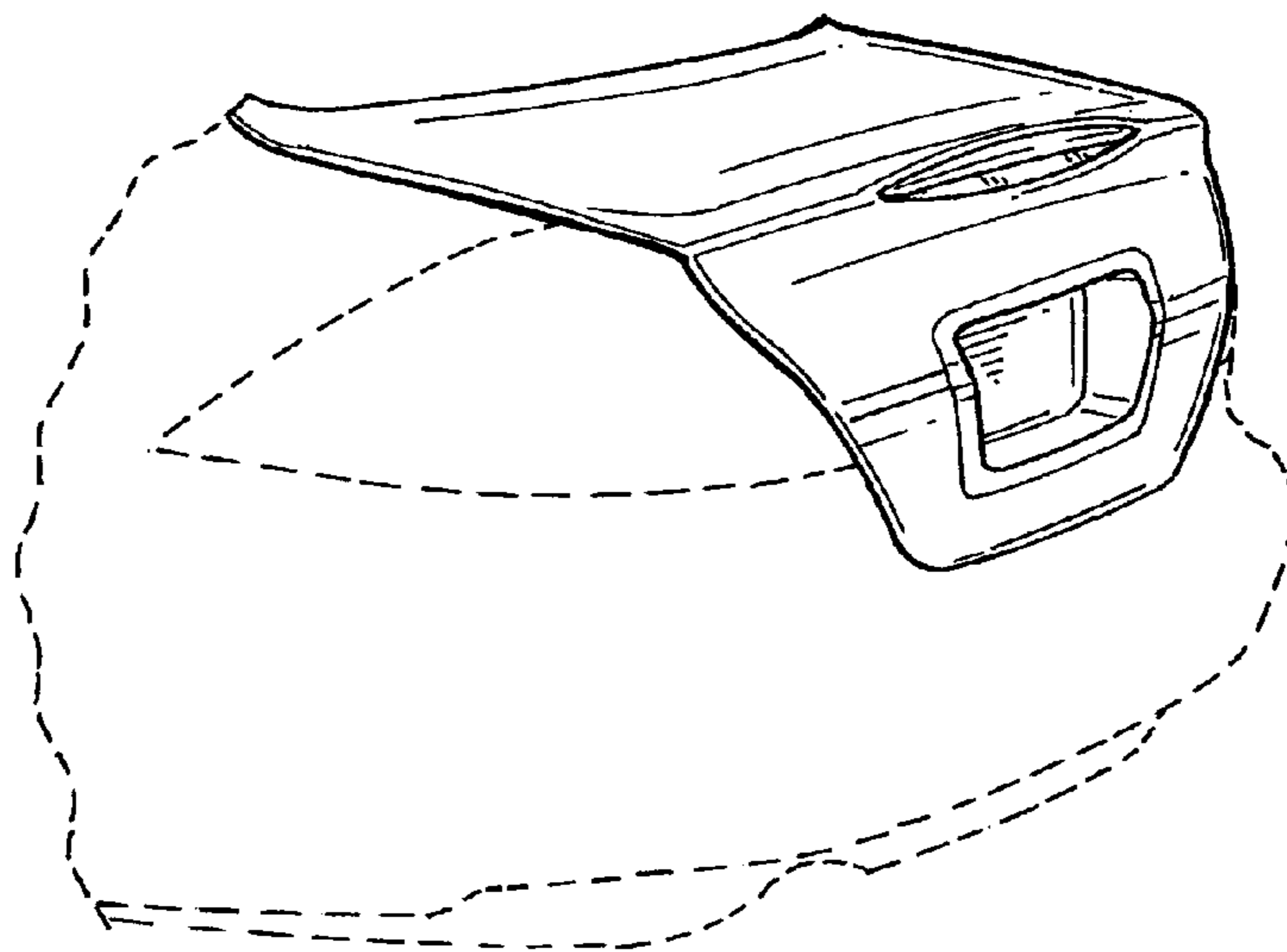


FIG. 1

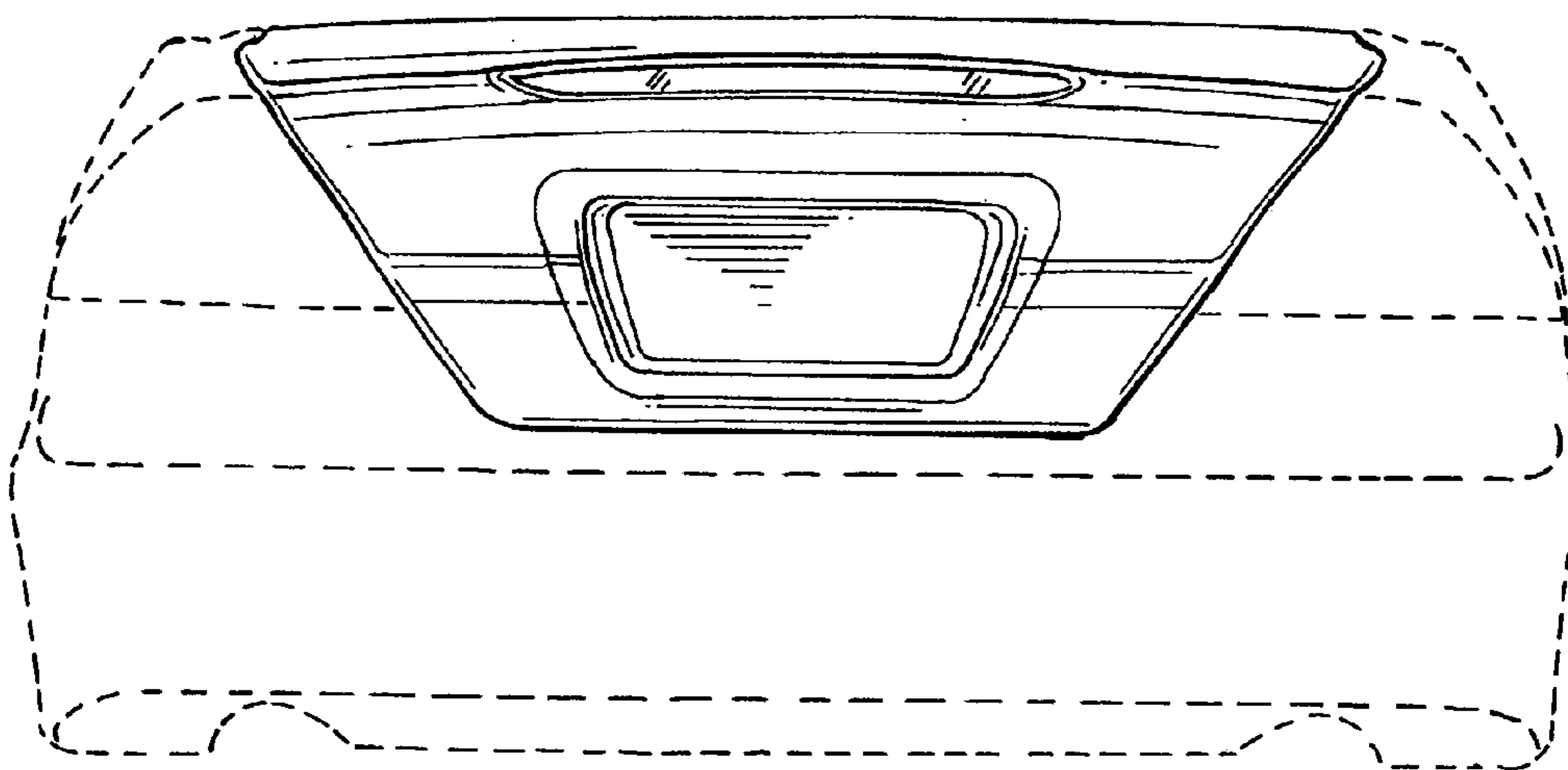


FIG. 2

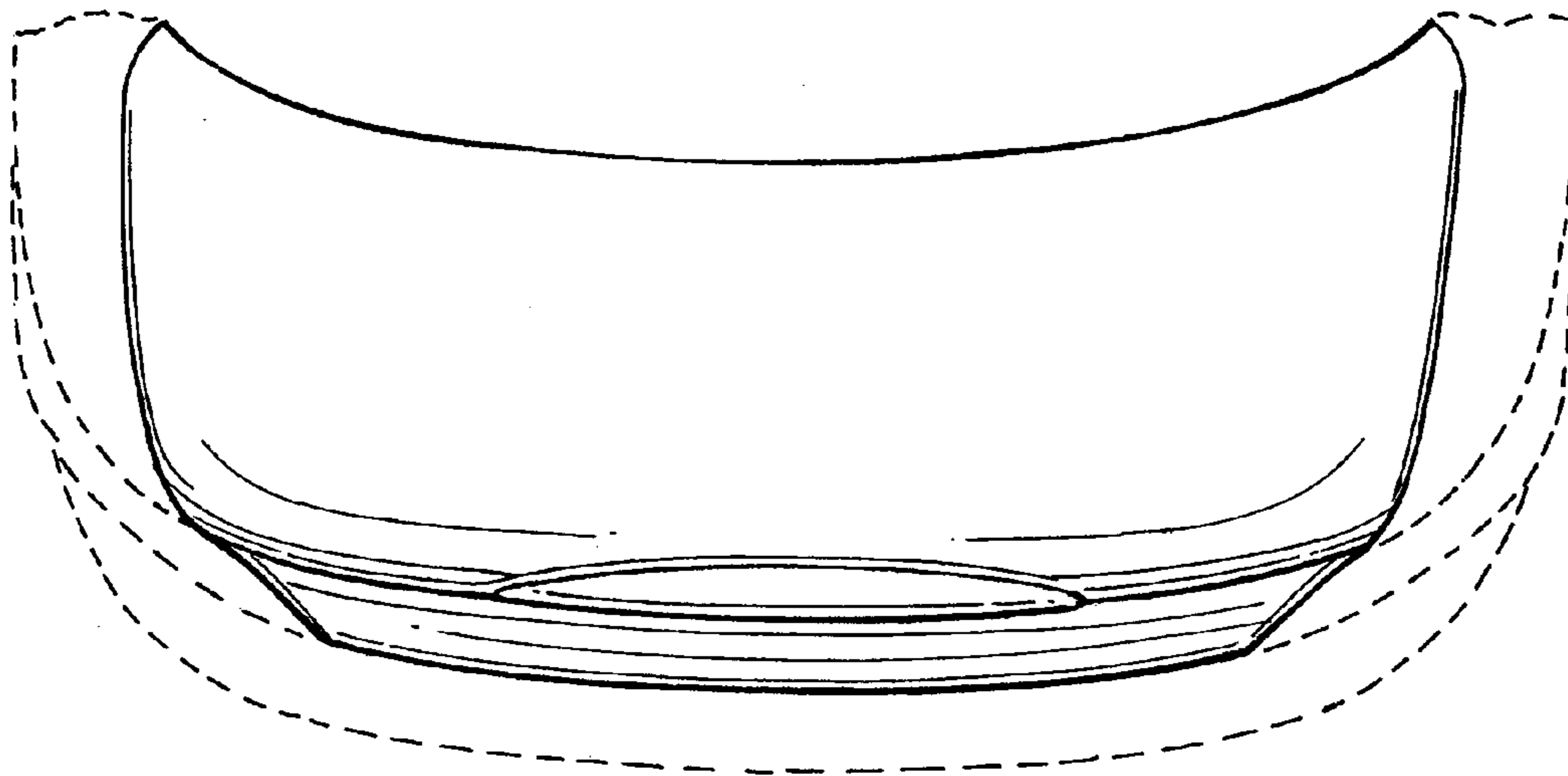


FIG. 3

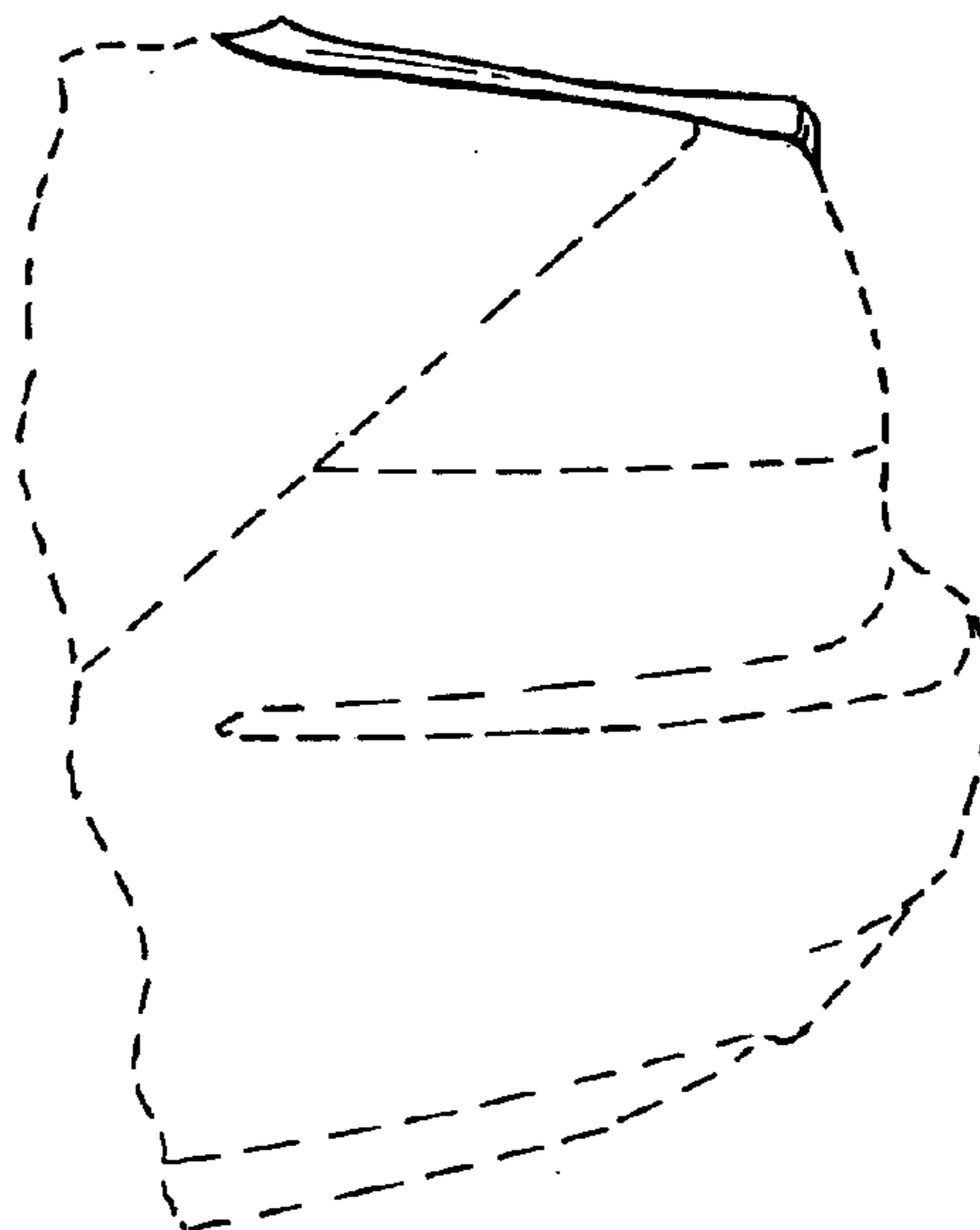


FIG. 4