



US00D527321S

(12) **United States Design Patent**
Gherardi et al.

(10) **Patent No.:** **US D527,321 S**

(45) **Date of Patent:** **** Aug. 29, 2006**

(54) **BRAKE CALIPER**

(75) Inventors: **Pierangelo Gherardi**, Zogno (IT);
Giancarlo Vezzoli, Chiari (IT)

(73) Assignee: **Freni Brembo S.p.A.**, Curno (IT)

(**) Term: **14 Years**

(21) Appl. No.: **29/219,466**

(22) Filed: **Dec. 20, 2004**

(30) **Foreign Application Priority Data**

Jun. 21, 2004 (EM) 000191150

(51) **LOC (8) Cl.** **12-16**

(52) **U.S. Cl.** **D12/180**

(58) **Field of Classification Search** D12/180;
188/73.3, 73.31-73.39, 73.43, 73.45, 218 XL,
188/1.11 W; 192/70.17, 70.2
See application file for complete search history.

(56) **References Cited**

U.S. PATENT DOCUMENTS

D351,365 S * 10/1994 Powers D12/180
D354,469 S * 1/1995 Powers D12/180
5,499,696 A * 3/1996 Kobayashi et al. 188/1.11 W

D373,340 S * 9/1996 Sands D12/180
D417,178 S * 11/1999 Gallagher D12/180
D425,465 S * 5/2000 Pink et al. D12/180
D426,180 S * 6/2000 Pink et al. D12/180
6,247,561 B1 * 6/2001 Doi et al. 188/73.39
D458,199 S * 6/2002 Demoise et al. D12/180
D491,500 S * 6/2004 Fujiwara et al. D12/180
D506,714 S * 6/2005 Ono D12/180

* cited by examiner

Primary Examiner—Melody N. Brown

(74) *Attorney, Agent, or Firm*—Hogan & Hartson LLP

(57) **CLAIM**

The ornamental design of a brake caliper, as shown and described.

DESCRIPTION

FIG. 1 is a perspective view of the brake caliper;
FIG. 2 is a left side view of the brake caliper;
FIG. 3 is a right side view of the brake caliper;
FIG. 4 is a bottom view of the brake caliper;
FIG. 5 is a top view of the brake caliper;
FIG. 6 is a front view of the brake caliper; and,
FIG. 7 is a back view of the brake caliper.

1 Claim, 7 Drawing Sheets

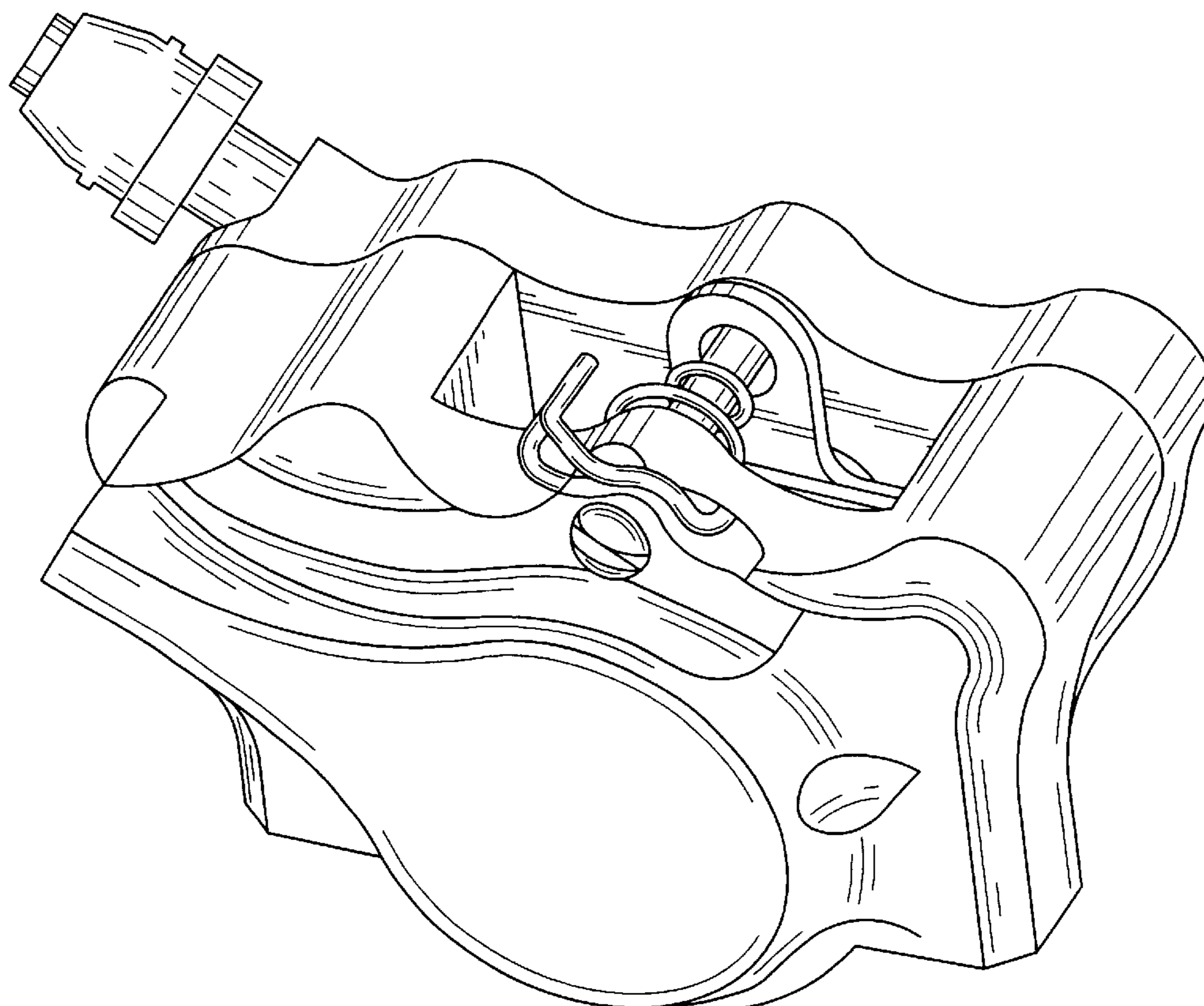


Fig. 1

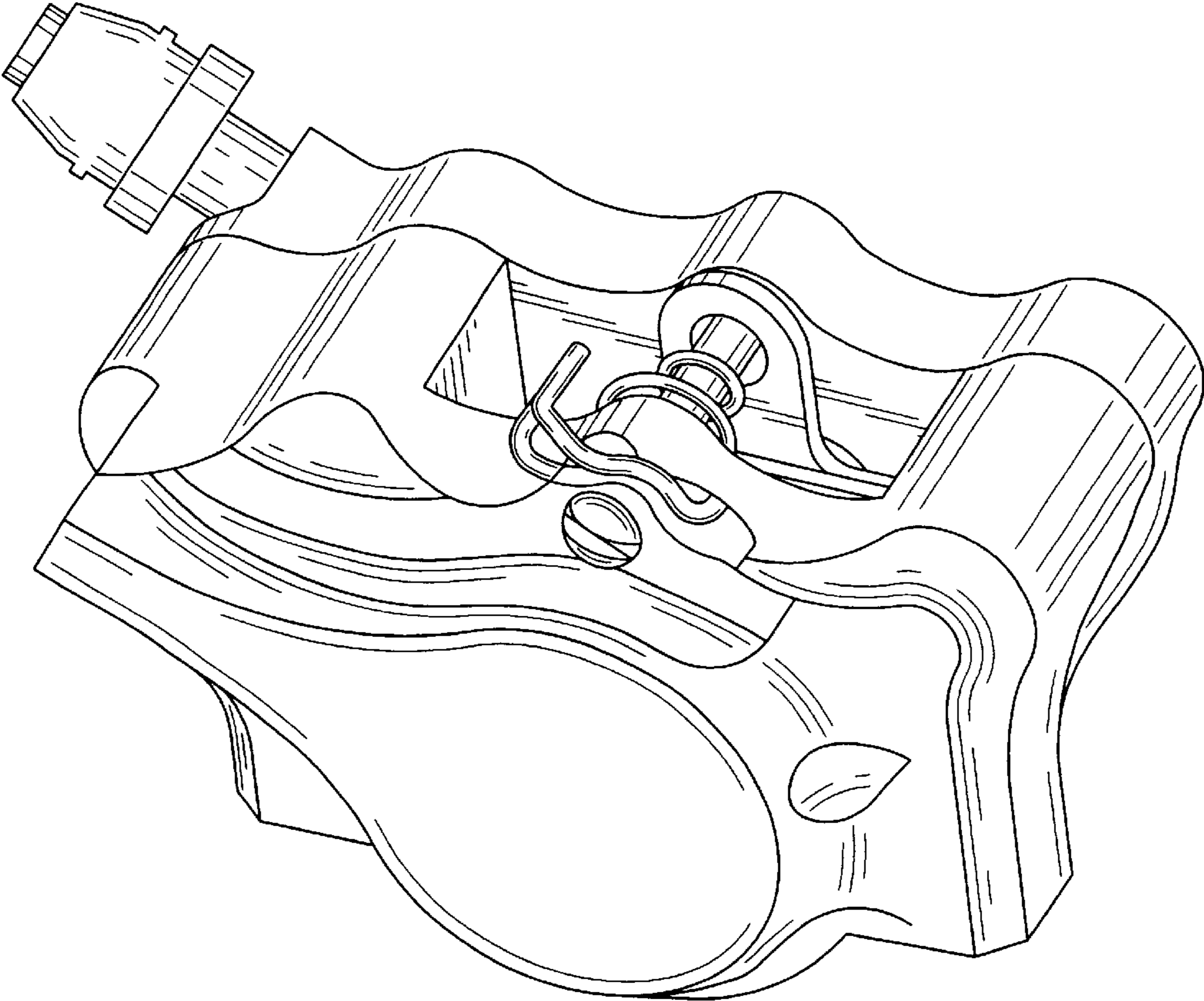


Fig. 2

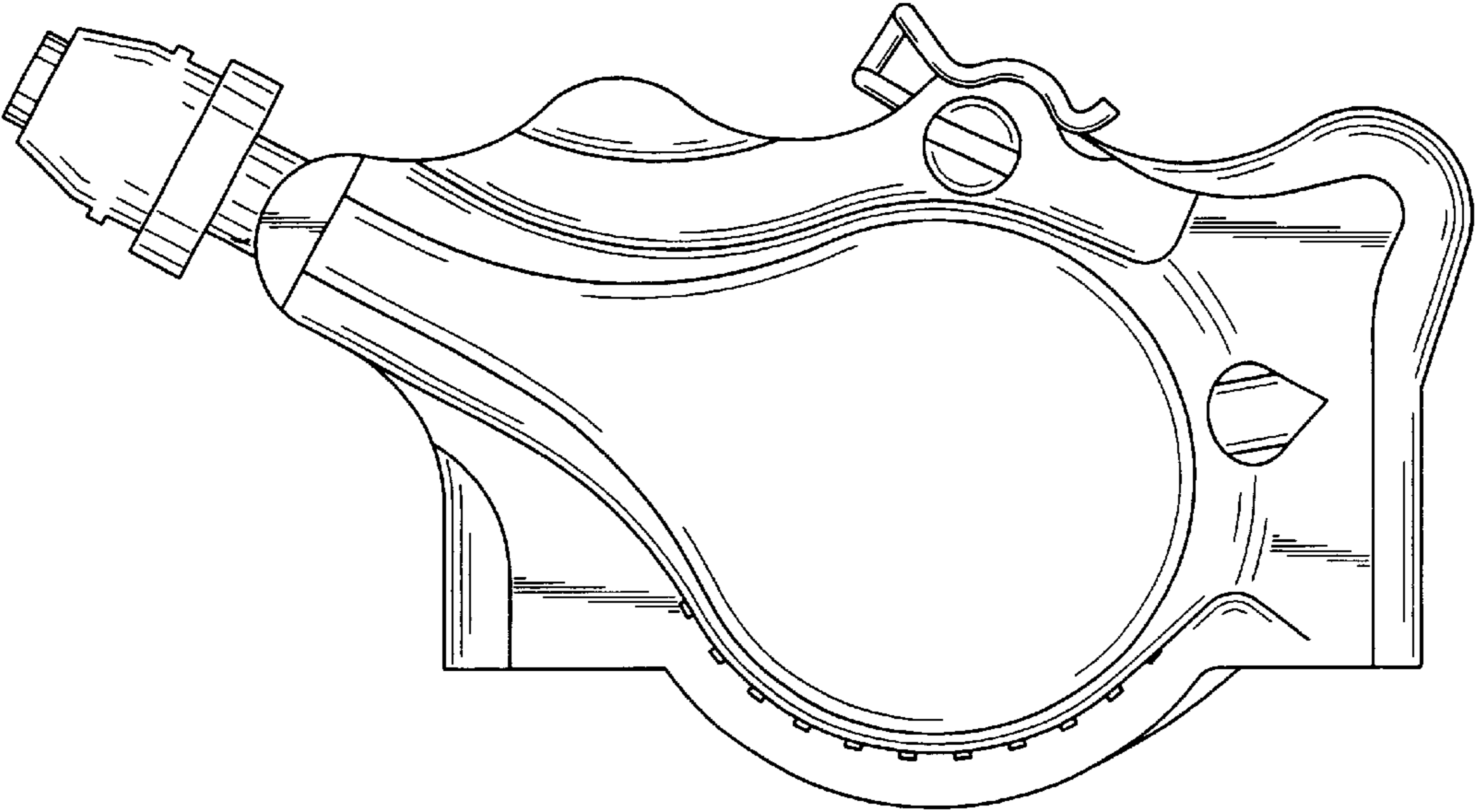


Fig. 3

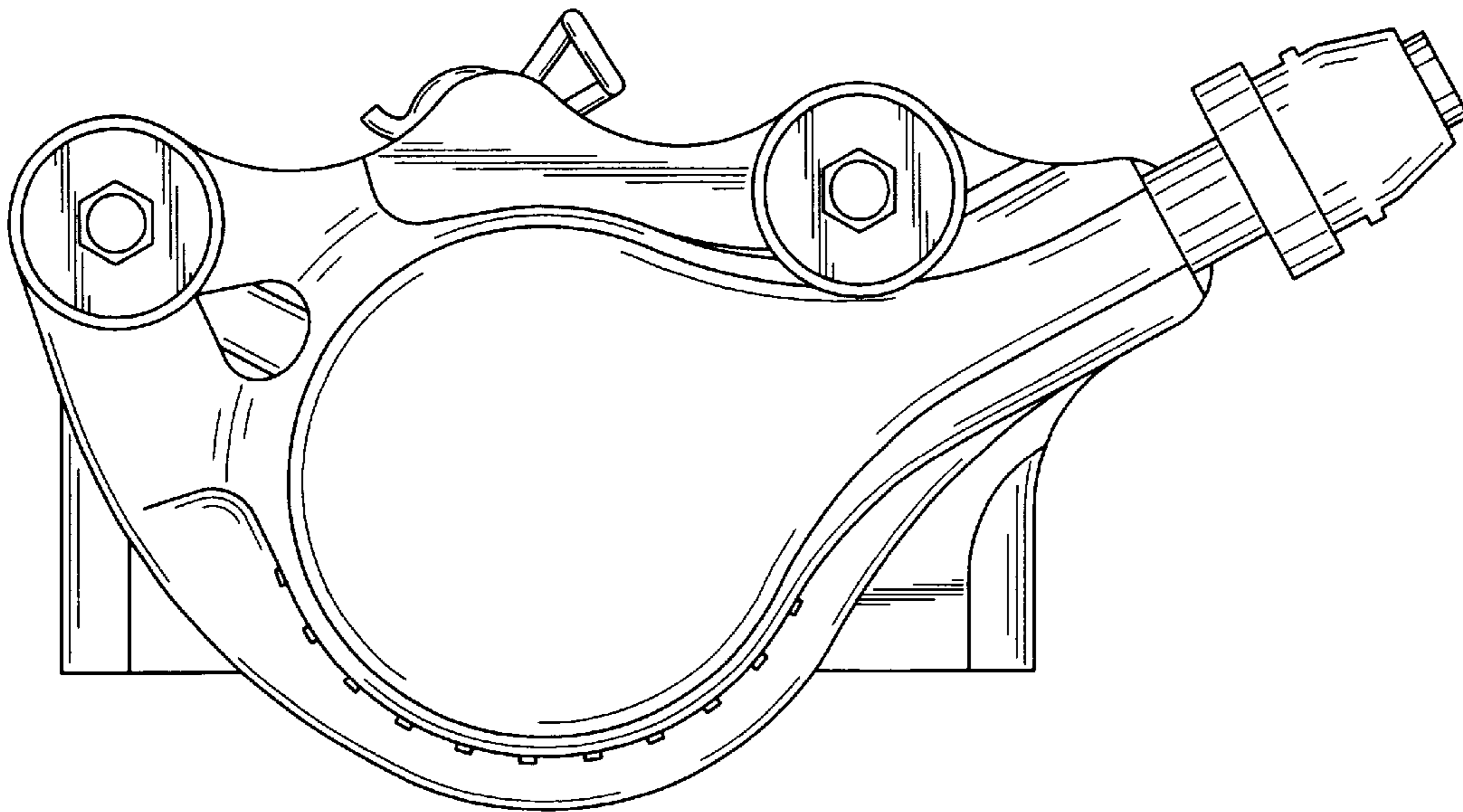


Fig. 4

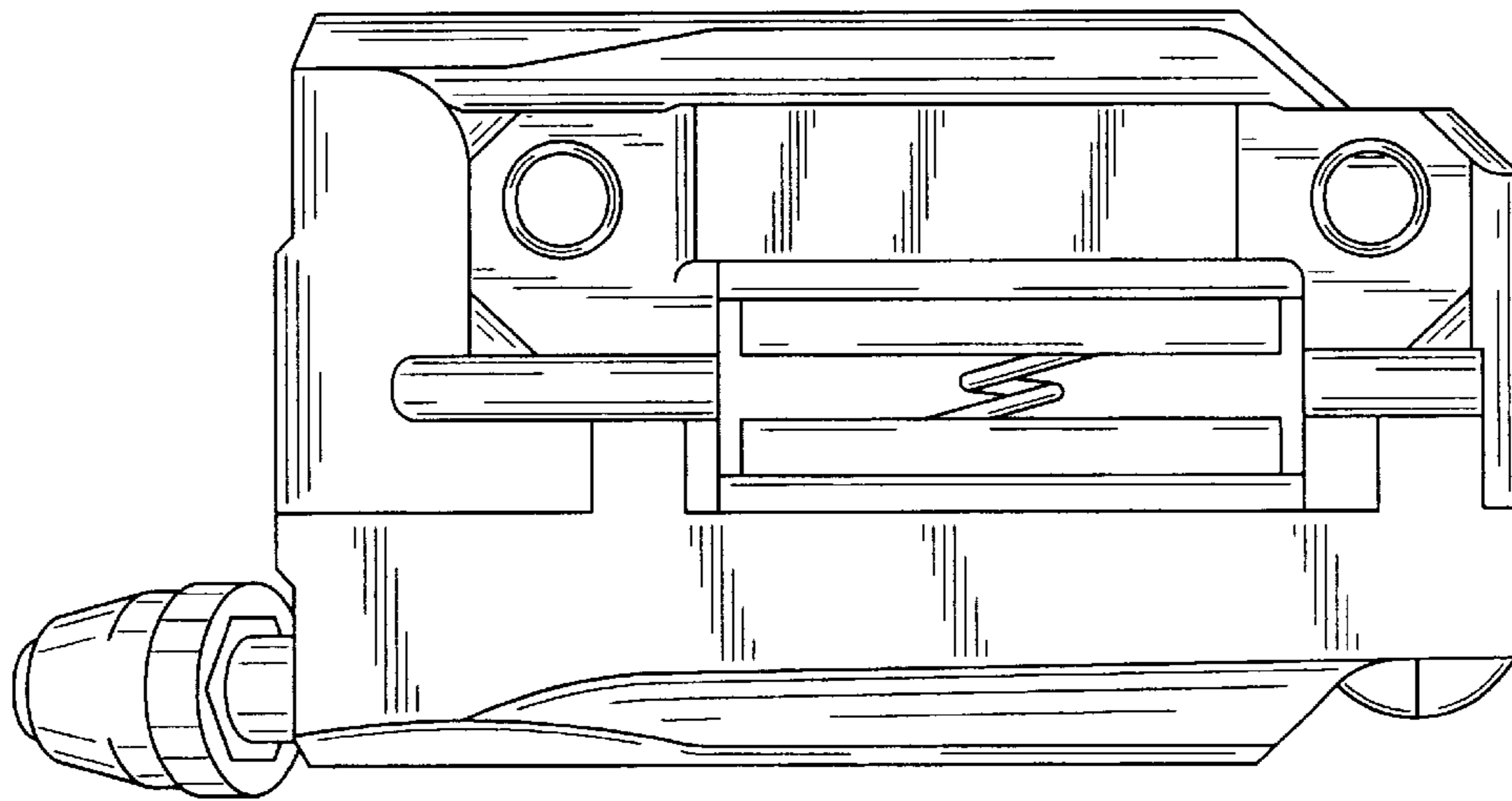


Fig. 5

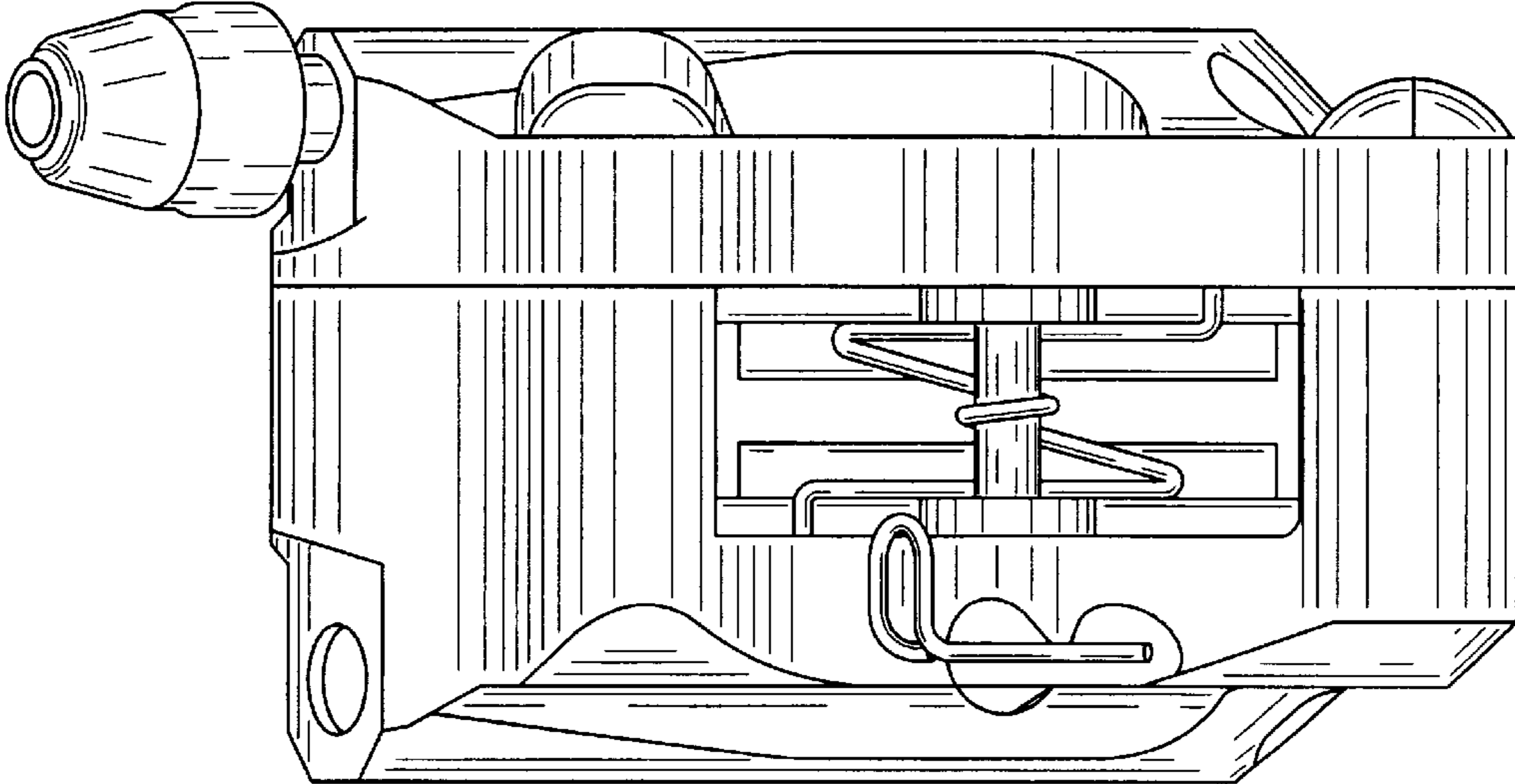


Fig. 6

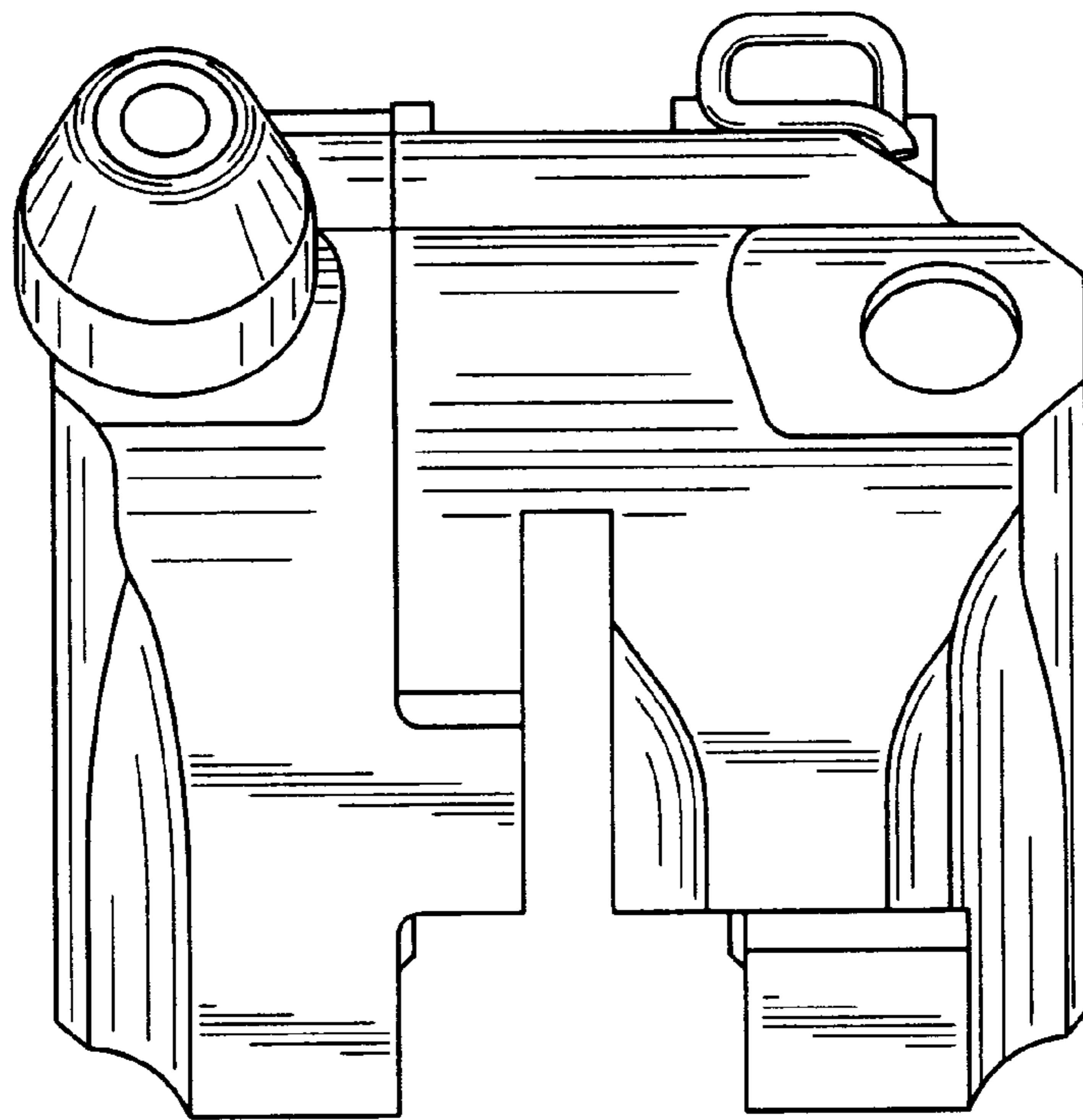


Fig. 7

