



US00D527314S

(12) **United States Design Patent**
Czysz

(10) **Patent No.:** **US D527,314 S**

(45) **Date of Patent:** **** Aug. 29, 2006**

(54) **MOTORCYCLE SWINGARM**

(75) Inventor: **Michael Czysz**, Portland, OR (US)

(73) Assignee: **MotoCzysz LLC**, Portland, OR (US)

(**) Term: **14 Years**

(21) Appl. No.: **29/218,521**

(22) Filed: **Dec. 3, 2004**

(51) **LOC (8) Cl.** **12-11**

(52) **U.S. Cl.** **D12/117**

(58) **Field of Classification Search** D12/110,
D12/114, 117, 118, 159; 180/219, 227, 311,
180/312; 280/281.1, 283, 288, 284-286,
280/288.1, 288.2, 288.3, 288.4, 274, 275
See application file for complete search history.

(56) **References Cited**

U.S. PATENT DOCUMENTS

D503,363 S * 3/2005 Alsop D12/117

D509,462 S * 9/2005 Ford D12/117

* cited by examiner

Primary Examiner—Alan P. Douglas

Assistant Examiner—Linda Brooks

(74) *Attorney, Agent, or Firm*—Richard Calderwood;
MotoCzysz LLC

(57) **CLAIM**

I claim the ornamental design for a motorcycle swingarm, as shown and described.

DESCRIPTION

FIG. 1 is a right side view of my new design.

FIG. 2 is a left side view thereof.

FIG. 3 is a front view thereof.

FIG. 4 is a rear view thereof.

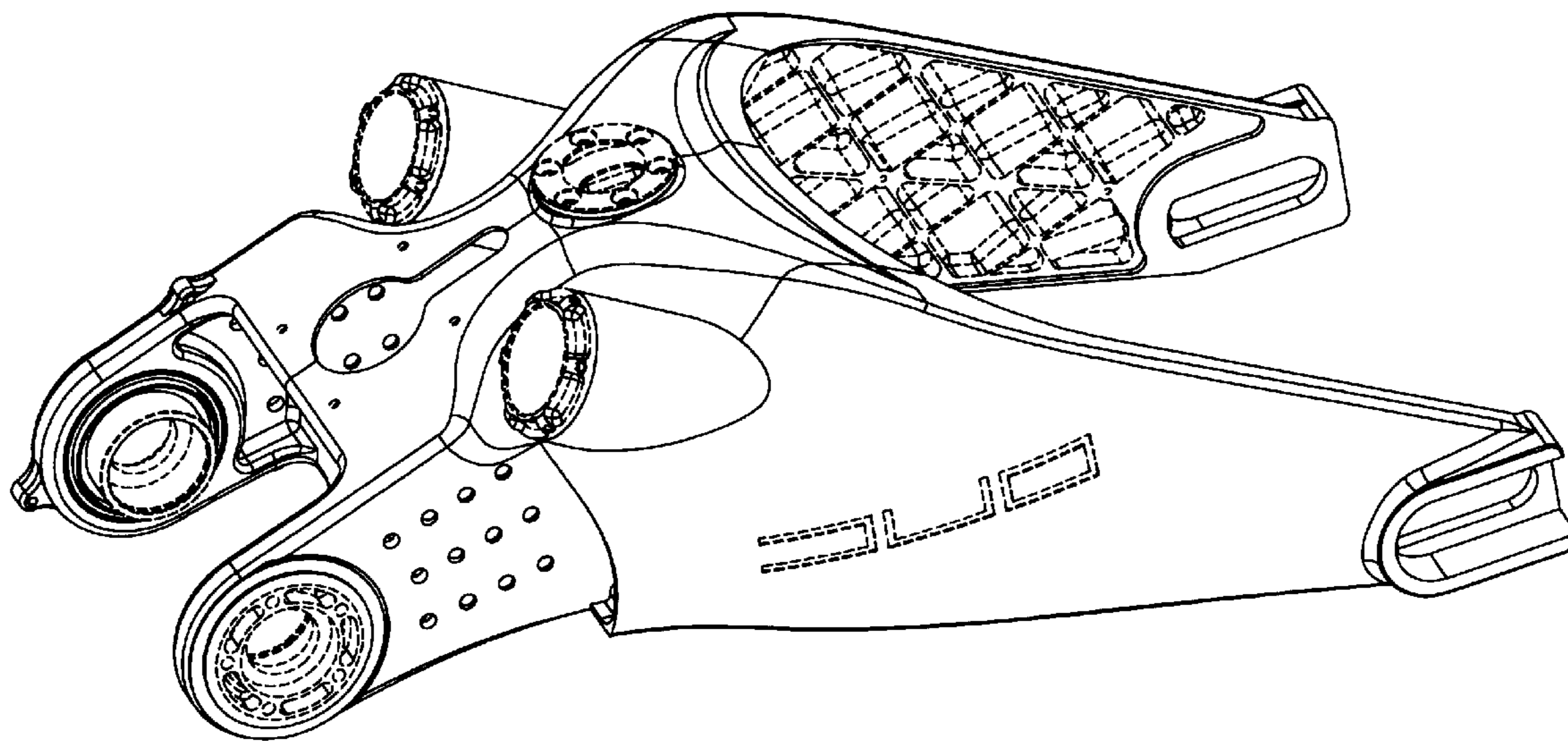
FIG. 5 is a top view thereof.

FIG. 6 is a bottom view thereof; and,

FIG. 7 is a top left perspective view thereof.

Features of the swingarm shown in broken lines are for illustrative purposes only and form no part of the claimed design.

1 Claim, 5 Drawing Sheets



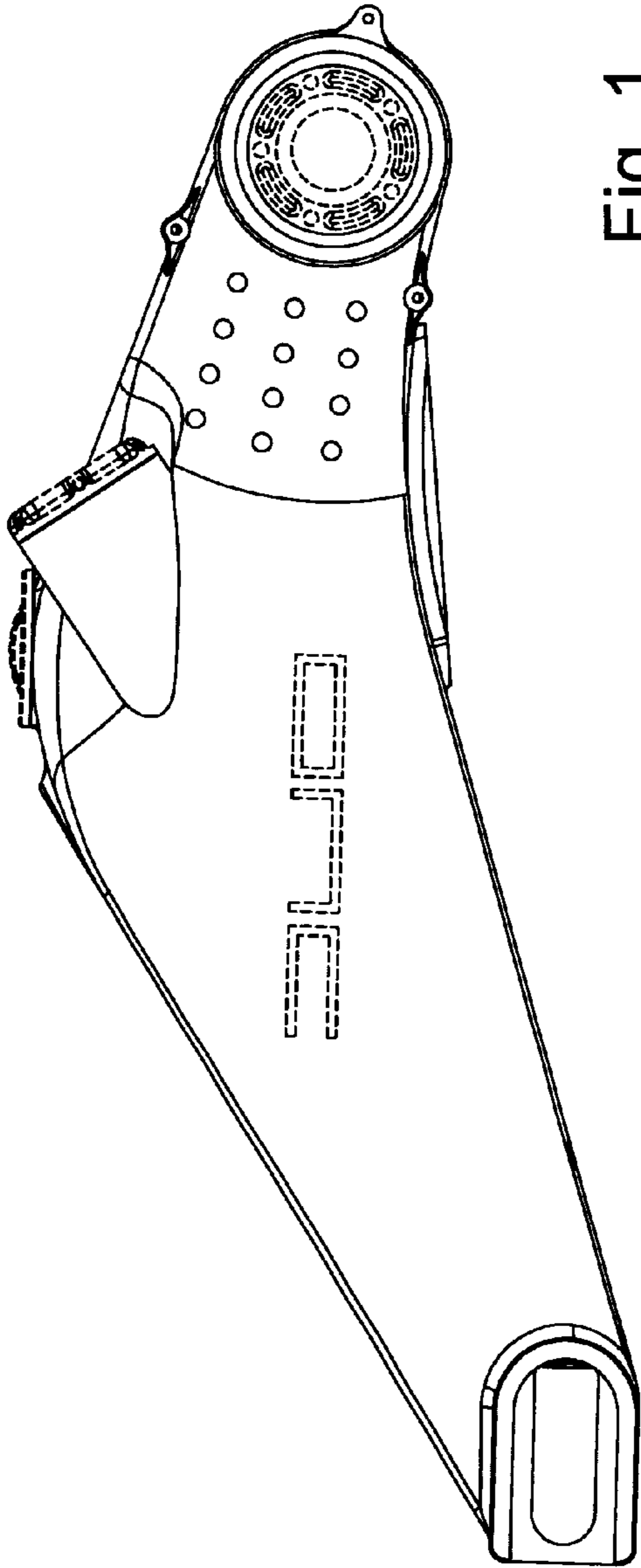


Fig. 1

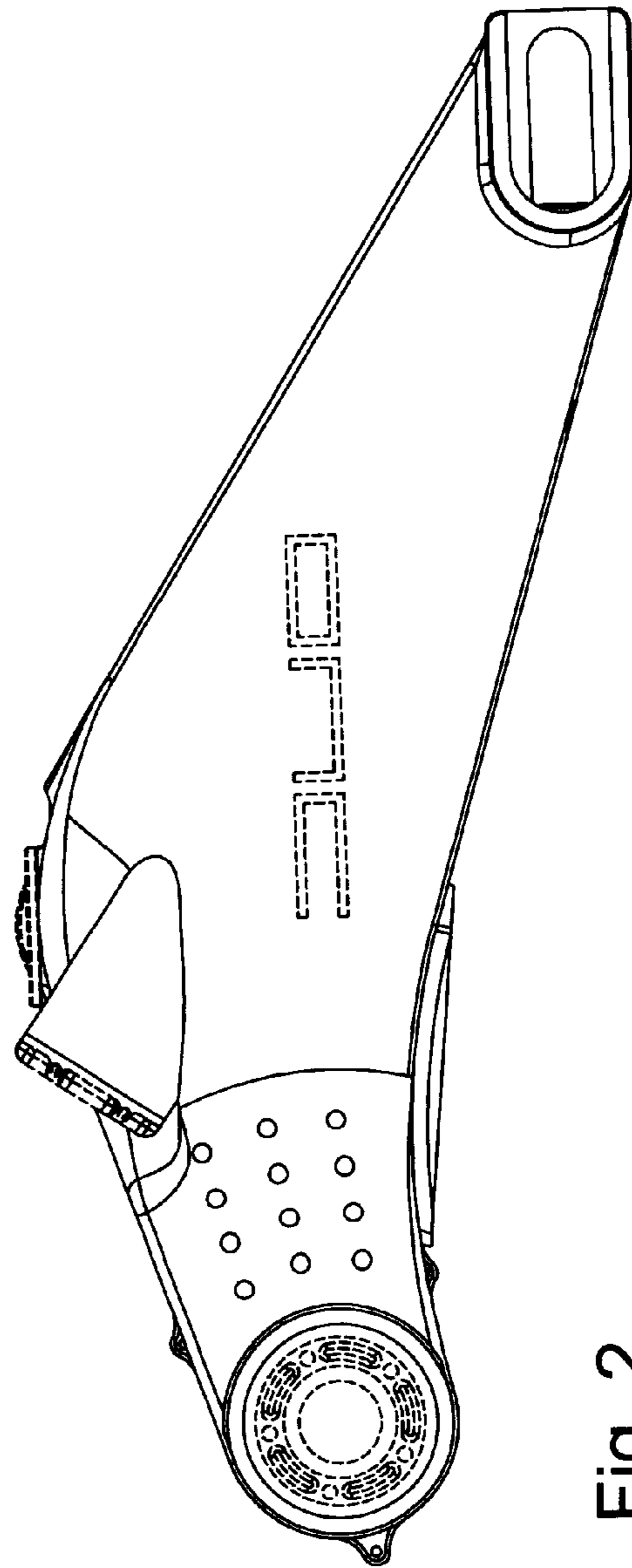


Fig. 2

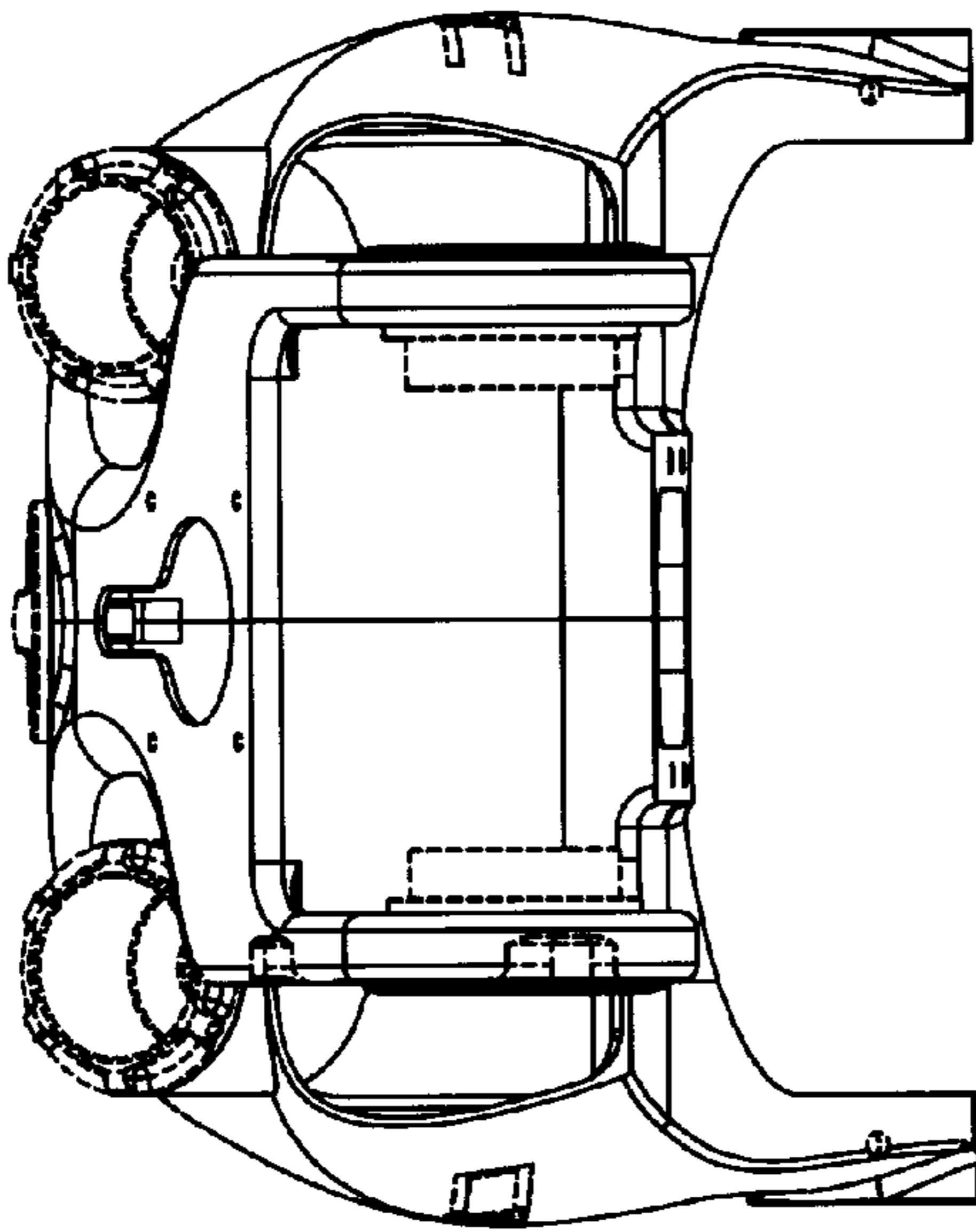


Fig. 3

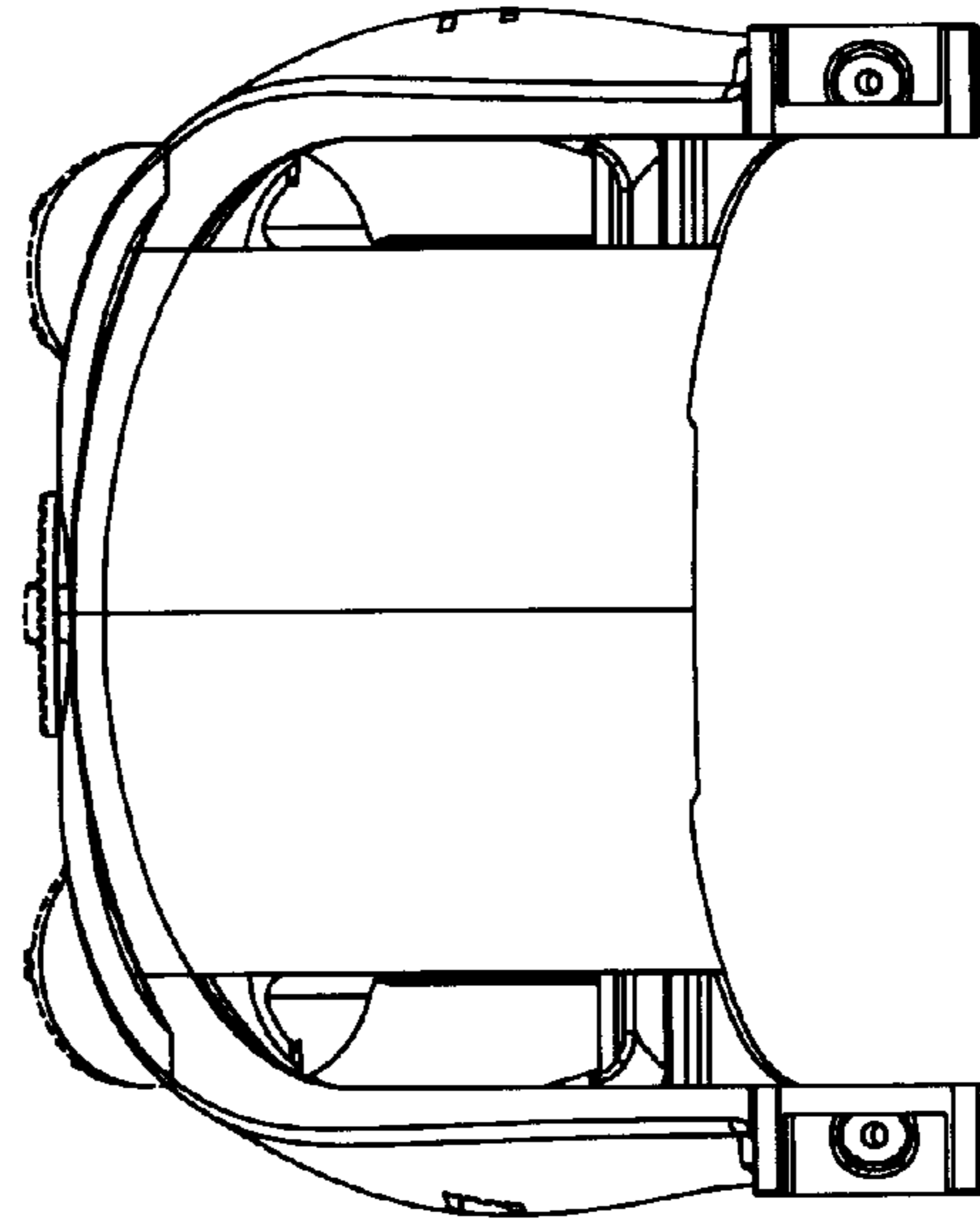


Fig. 4

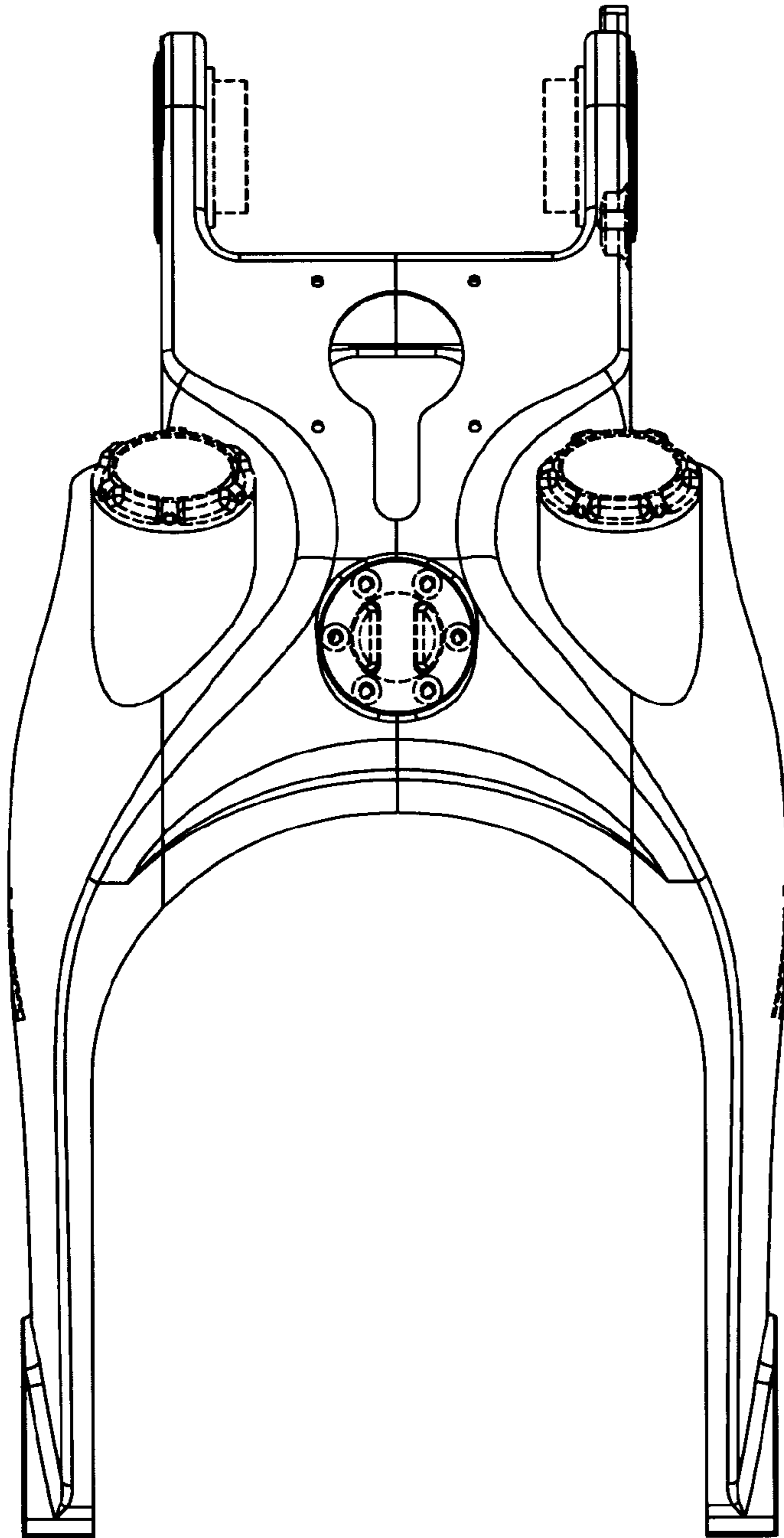


Fig. 5

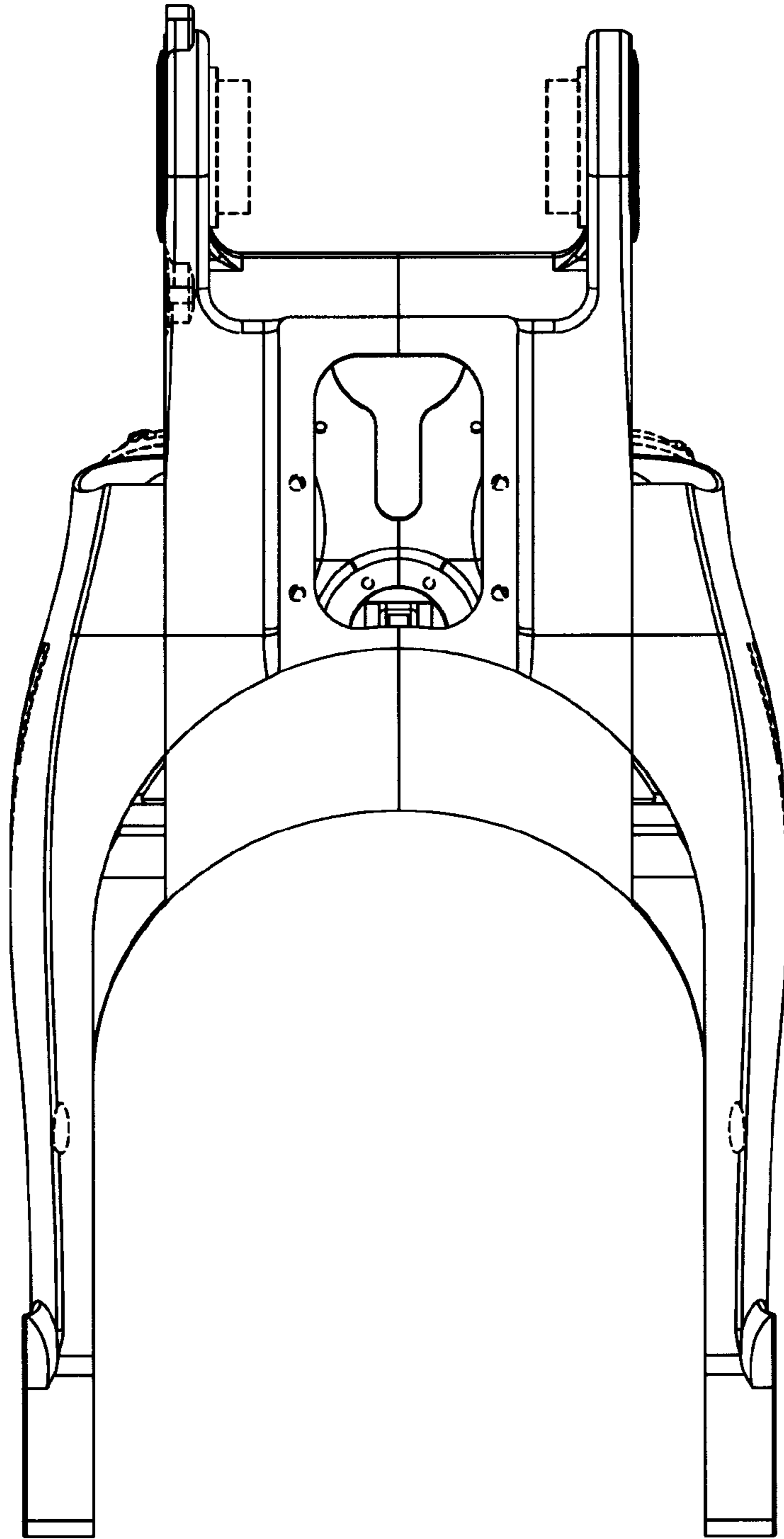


Fig. 6

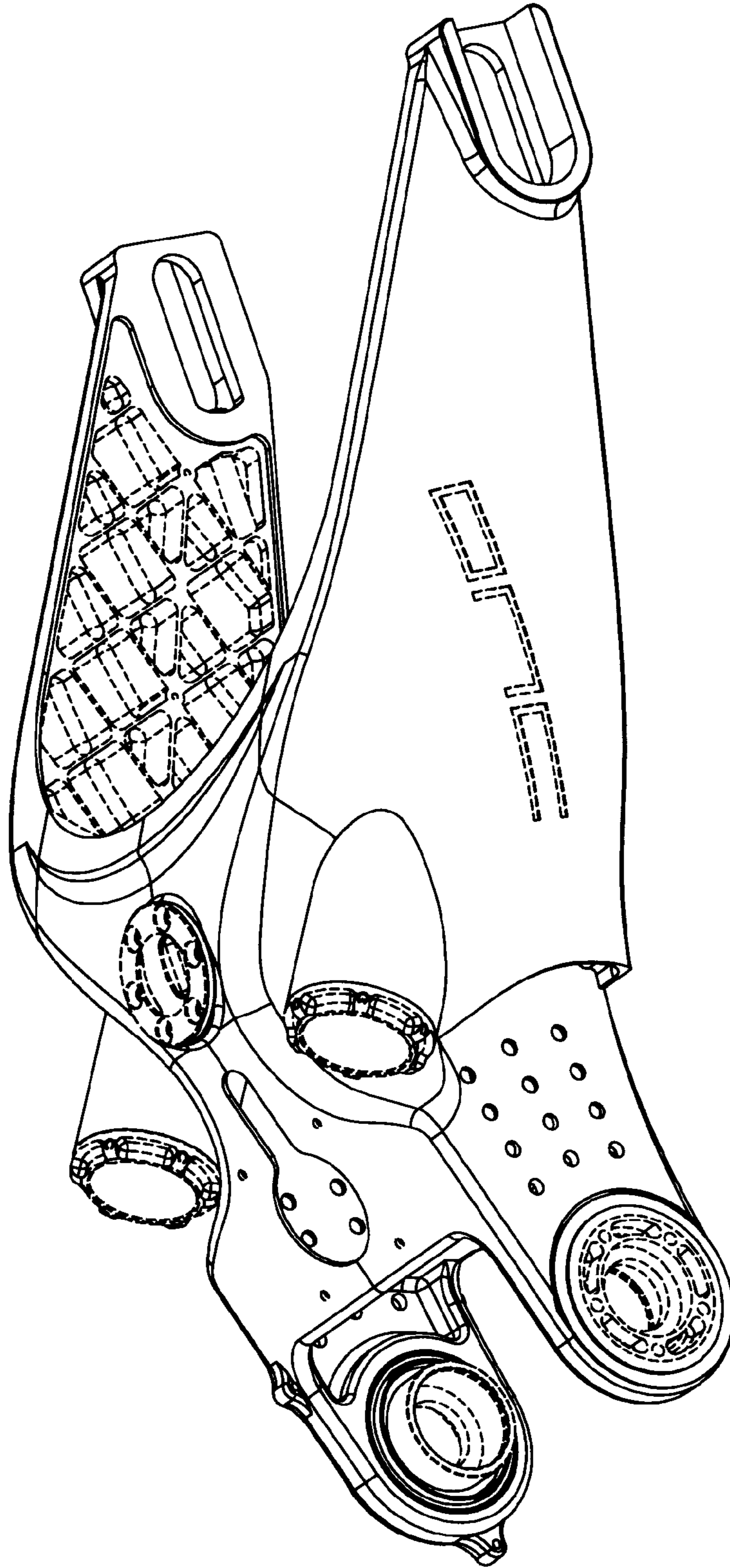


Fig. 7

UNITED STATES PATENT AND TRADEMARK OFFICE
CERTIFICATE OF CORRECTION

PATENT NO. : Des. 527,314 S
APPLICATION NO. : 29/218521
DATED : August 29, 2006
INVENTOR(S) : Michael Czysz

Page 1 of 1

It is certified that error appears in the above-identified patent and that said Letters Patent is hereby corrected as shown below:

On the title page #73, the Assignee's name should read --MotoCzysz LLC--.

Signed and Sealed this

Twenty-eighth Day of November, 2006

A handwritten signature in black ink on a light gray dotted background. The signature reads "Jon W. Dudas" in a cursive style.

JON W. DUDAS

Director of the United States Patent and Trademark Office