

US00D527313S

(12) **United States Design Patent**
LeBlanc, Sr. et al.

(10) **Patent No.:** **US D527,313 S**

(45) **Date of Patent:** **** Aug. 29, 2006**

(54) **VEHICLE**

(75) Inventors: **James C. LeBlanc, Sr.**, Rochester, MI (US); **James C. LeBlanc, Jr.**, Washington, MI (US); **Adam L. Hiltunen**, Chesterfield, MI (US)

(73) Assignee: **J.C.L. Technology, L.L.C.**, Rochester, MI (US)

(**) Term: **14 Years**

(21) Appl. No.: **29/225,292**

(22) Filed: **Mar. 15, 2005**

(51) **LOC (8) Cl.** **12-13**

(52) **U.S. Cl.** **D12/12**

(58) **Field of Classification Search** D12/1, D12/2, 3, 4, 12, 95, 107, 121, 128, 174, 175, D12/178-181, 184-186; 180/22, 24, 24.11, 180/65.4, 69.6, 7.1, 21, 8.2, 65.8, 907, 5.26, 180/218, 6.5, 13; 89/36.08, 36.13, 36.09, 89/40.03, 36.03; 280/851

See application file for complete search history.

(56) **References Cited**

U.S. PATENT DOCUMENTS

D195,832 S * 8/1963 Bauer D12/12

3,395,672 A * 8/1968 Ruf 440/12.6
3,471,166 A * 10/1969 Clark 280/676
D267,001 S * 11/1982 LeBlanc D12/12
4,461,202 A * 7/1984 Appelblatt et al. 89/40.03
D308,187 S * 5/1990 Ottevaere et al. D12/12
D465,435 S * 11/2002 Legueu D12/12
D510,542 S * 10/2005 LeBlanc et al. D12/12

* cited by examiner

Primary Examiner—Doris Clark

Assistant Examiner—Michael A. Pratt

(74) *Attorney, Agent, or Firm*—Stevens, Davis, Miller & Mosher, L.L.P.

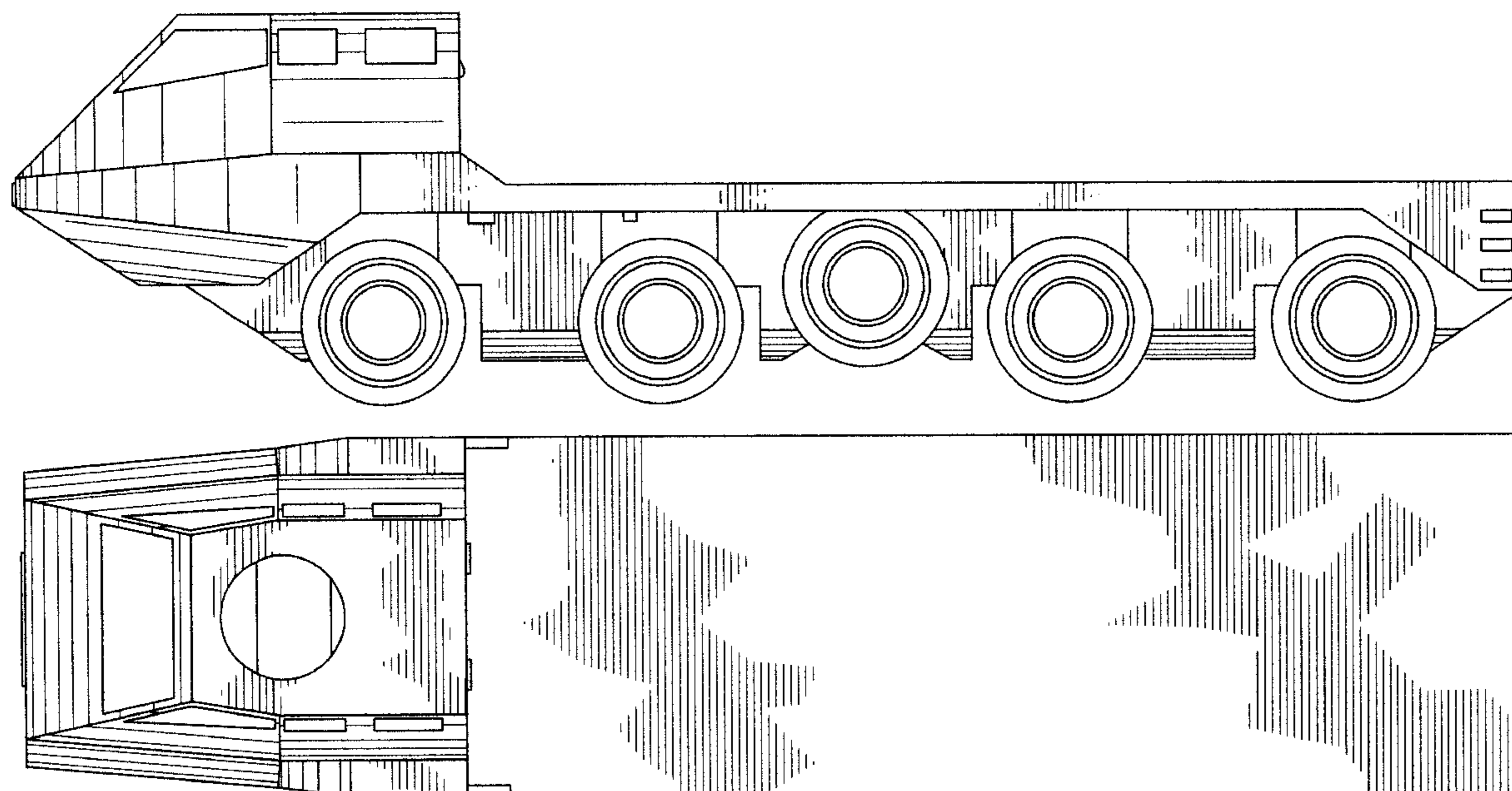
(57) **CLAIM**

The ornamental design for a vehicle, as shown and described.

DESCRIPTION

FIG. 1 is a side view of the vehicle, showing our design; FIG. 2 is a top view of the vehicle illustrated in Fig. 1; FIG. 3 is an opposite side view of the vehicle illustrated in FIG. 1; FIG. 4 is a front view of the vehicle illustrated in FIG. 1; and, FIG. 5 is a rear view of the vehicle illustrated in FIG. 1.

1 Claim, 2 Drawing Sheets



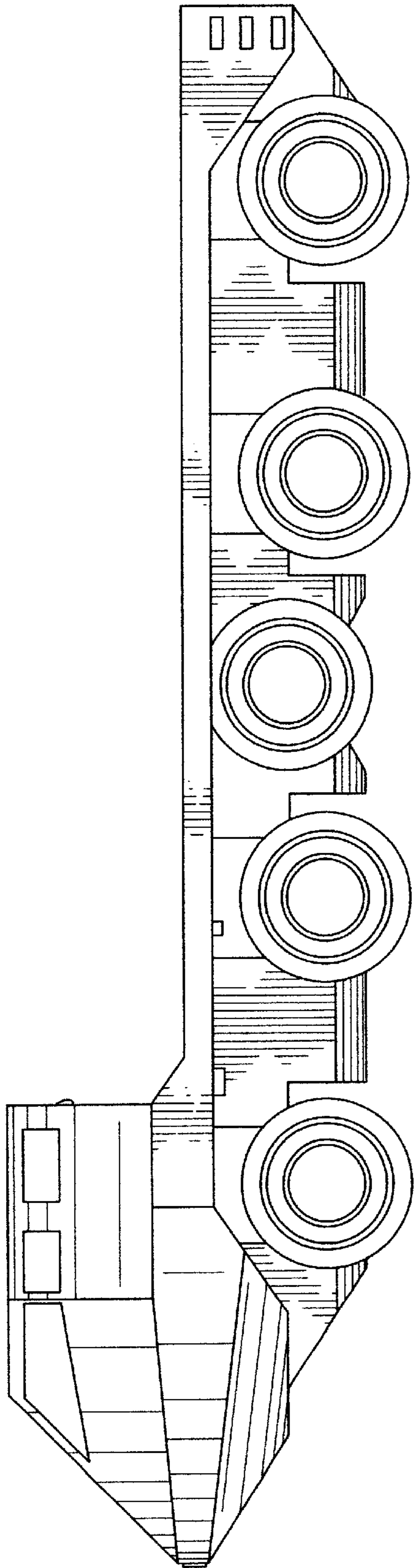


FIG. 1

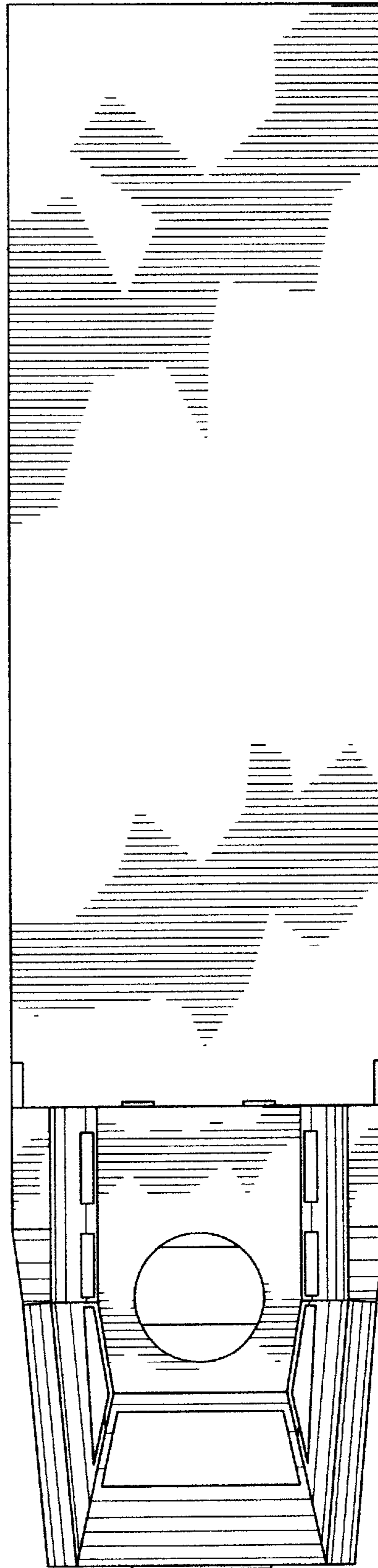


FIG. 2

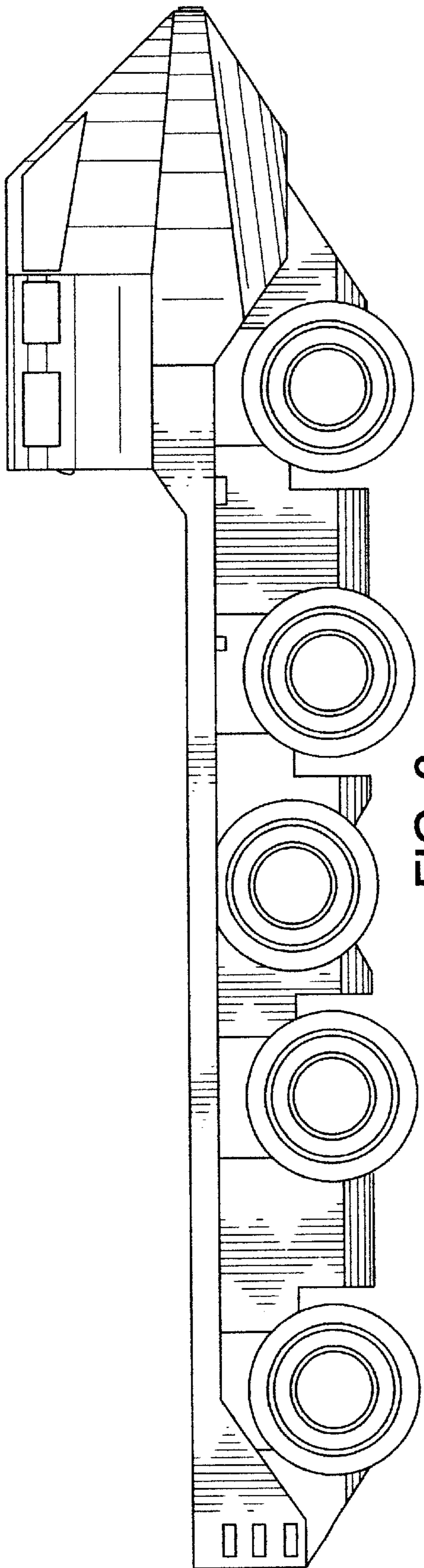


FIG. 3

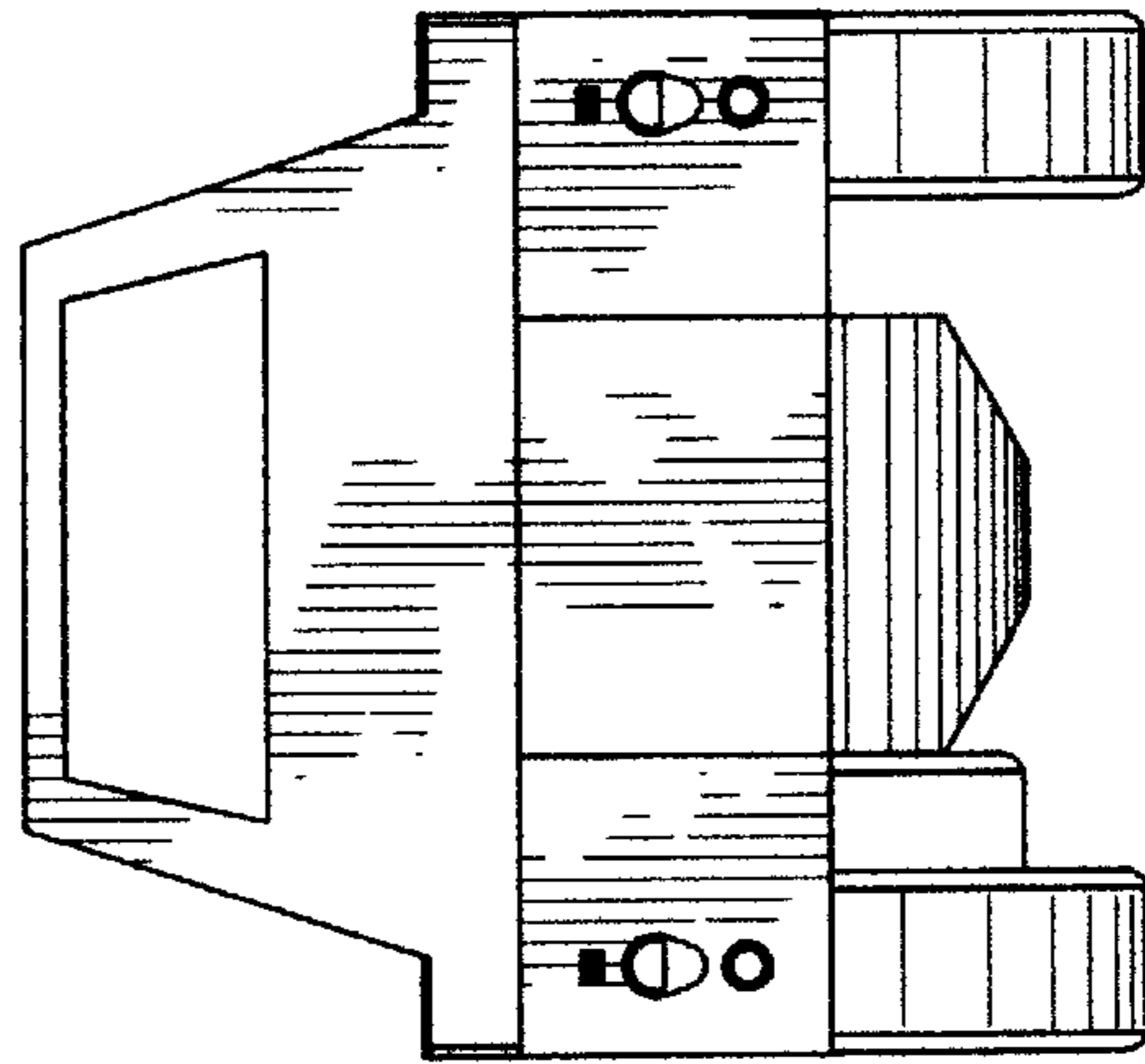


FIG. 5

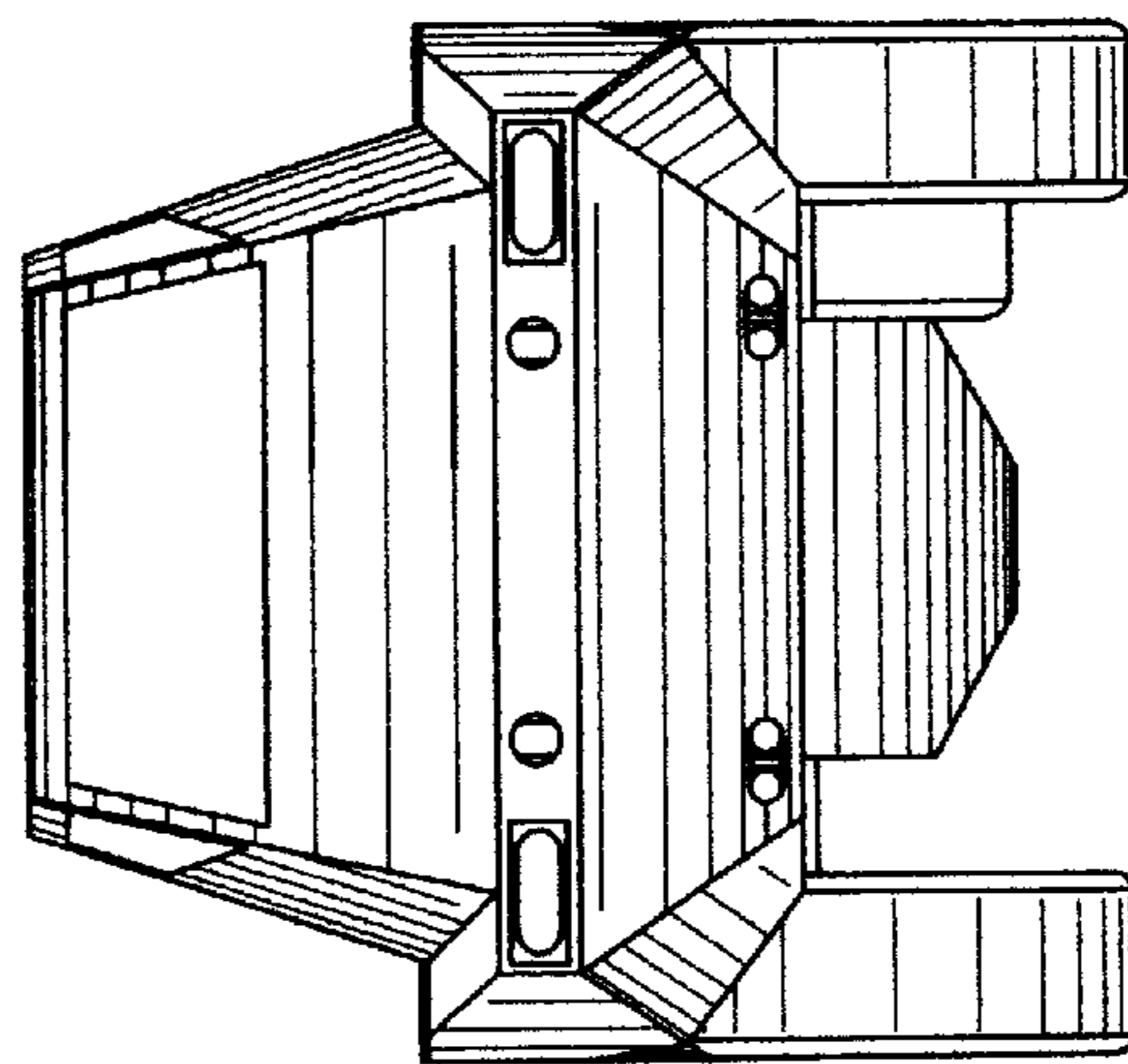


FIG. 4