

US00D527310S

(12) **United States Design Patent**  
**Yang**

(10) **Patent No.:** **US D527,310 S**

(45) **Date of Patent:** **\*\* Aug. 29, 2006**

(54) **PULL TAB FOR ZIPPER**

(75) Inventor: **Shih-Sheng Yang**, Wu Ku Industrial Zone (TW)

(73) Assignee: **Universal Trim Supply Co., Ltd.**, Taipei Hsien (TW)

(\*\*) Term: **14 Years**

(21) Appl. No.: **29/235,040**

(22) Filed: **Jul. 27, 2005**

(51) **LOC (8) Cl.** ..... **02-07**

(52) **U.S. Cl.** ..... **D11/221**

(58) **Field of Classification Search** ..... D11/200,  
D11/201, 221; 24/415-417, 419, 421, 427-431,  
24/381-382, 385, 387, 433; 384/64  
See application file for complete search history.

(56) **References Cited**

**U.S. PATENT DOCUMENTS**

D324,663 S \* 3/1992 Ebata ..... D11/221  
D379,162 S \* 5/1997 Melk ..... D11/221

D493,387 S \* 7/2004 Rada ..... D11/221  
D499,668 S \* 12/2004 Iwase ..... D11/221  
D504,843 S \* 5/2005 Gracer ..... D11/221

\* cited by examiner

*Primary Examiner*—Ralf Seifert

(74) *Attorney, Agent, or Firm*—Troxell Law Office, PLLC

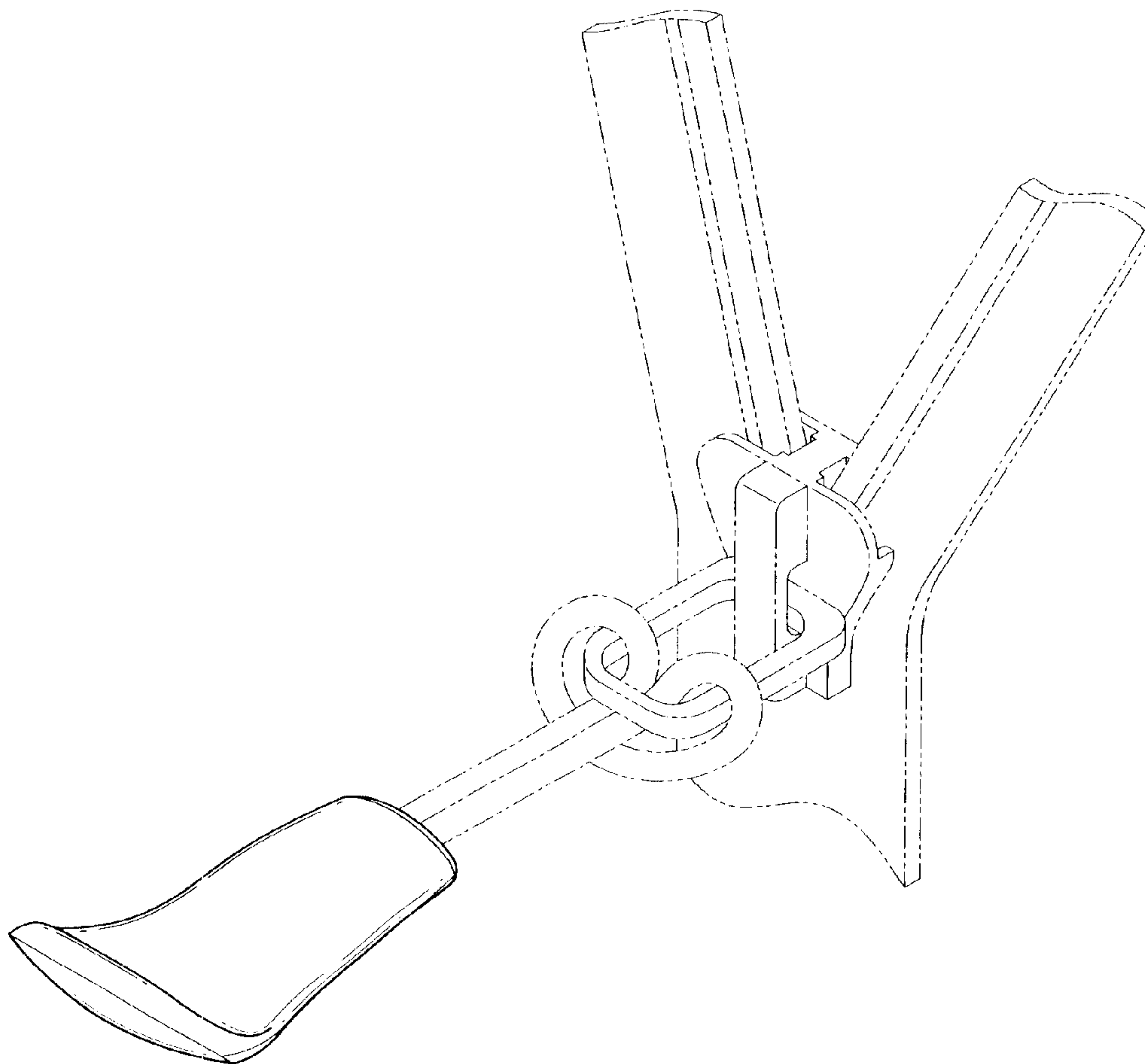
(57) **CLAIM**

The ornamental design for a pull tab for zipper, as shown and described.

**DESCRIPTION**

FIG. 1 is a perspective view of a pull tab for zipper;  
FIG. 2 is a front view thereof;  
FIG. 3 is a back view thereof;  
FIG. 4 is a left side view thereof;  
FIG. 5 is a right side view thereof;  
FIG. 6 is a top view thereof;  
FIG. 7 is a bottom view thereof; and,  
FIG. 8 is a perspective view, wherein the pull tab is connected to a zipper for illustrative purpose.

**1 Claim, 7 Drawing Sheets**



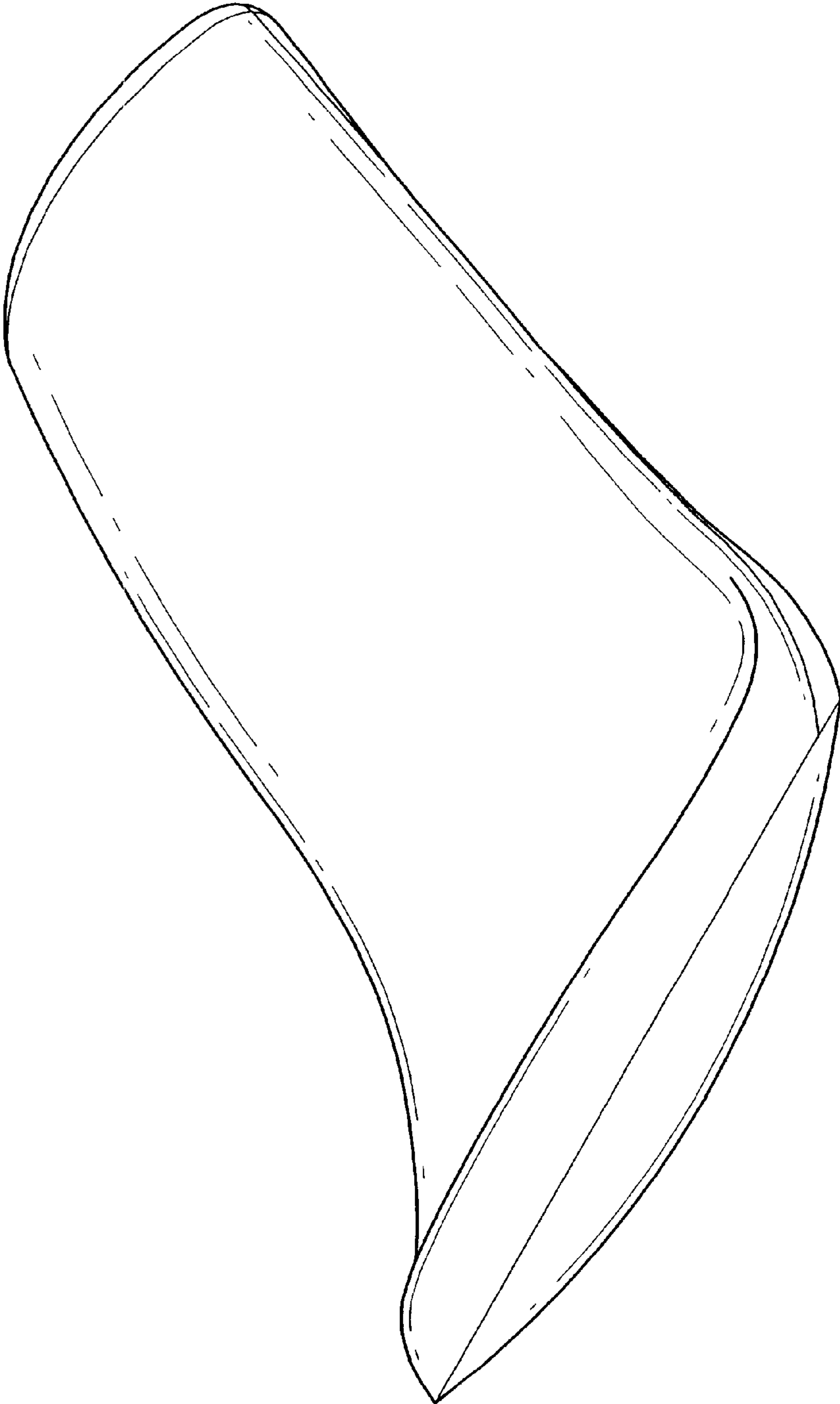


FIG. 1

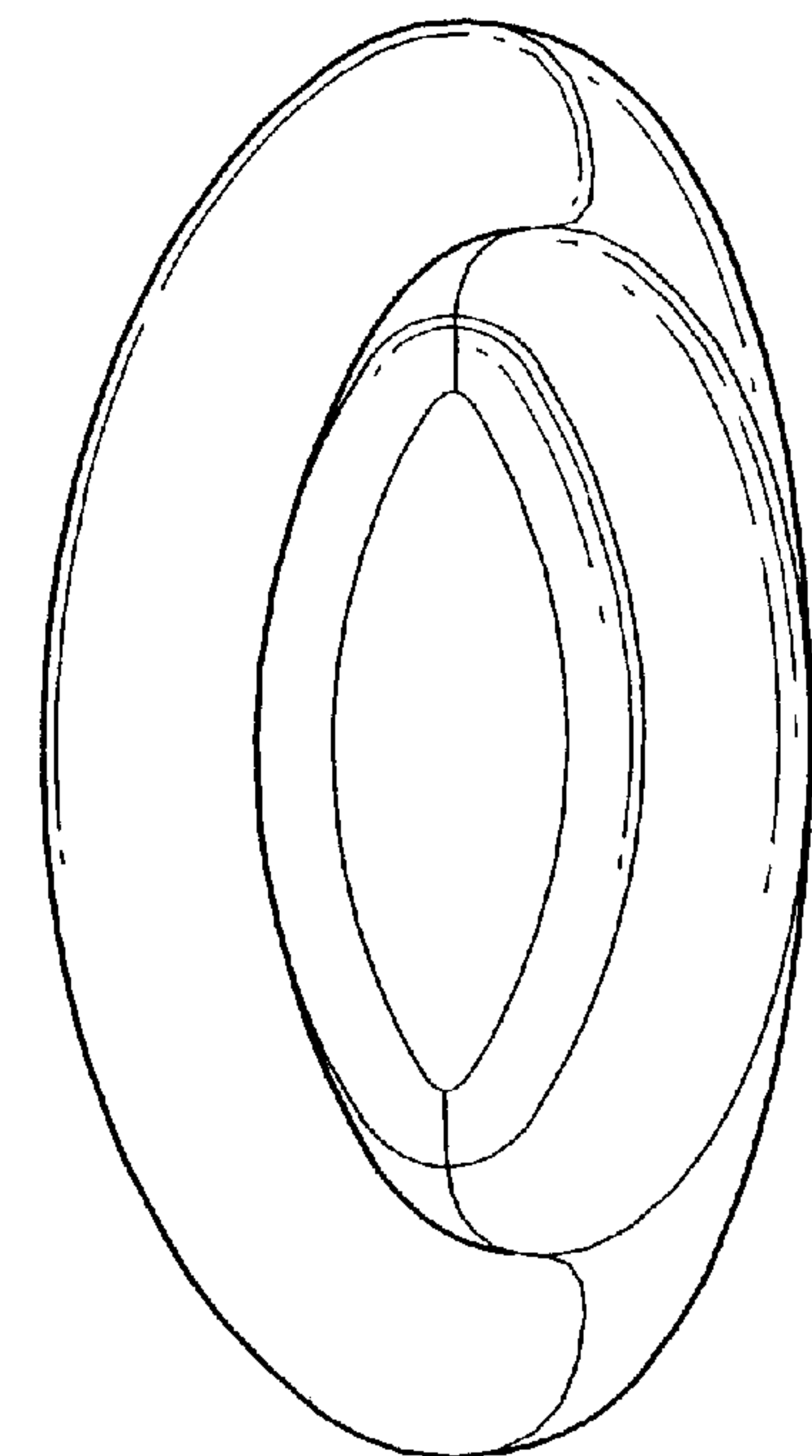


FIG. 3

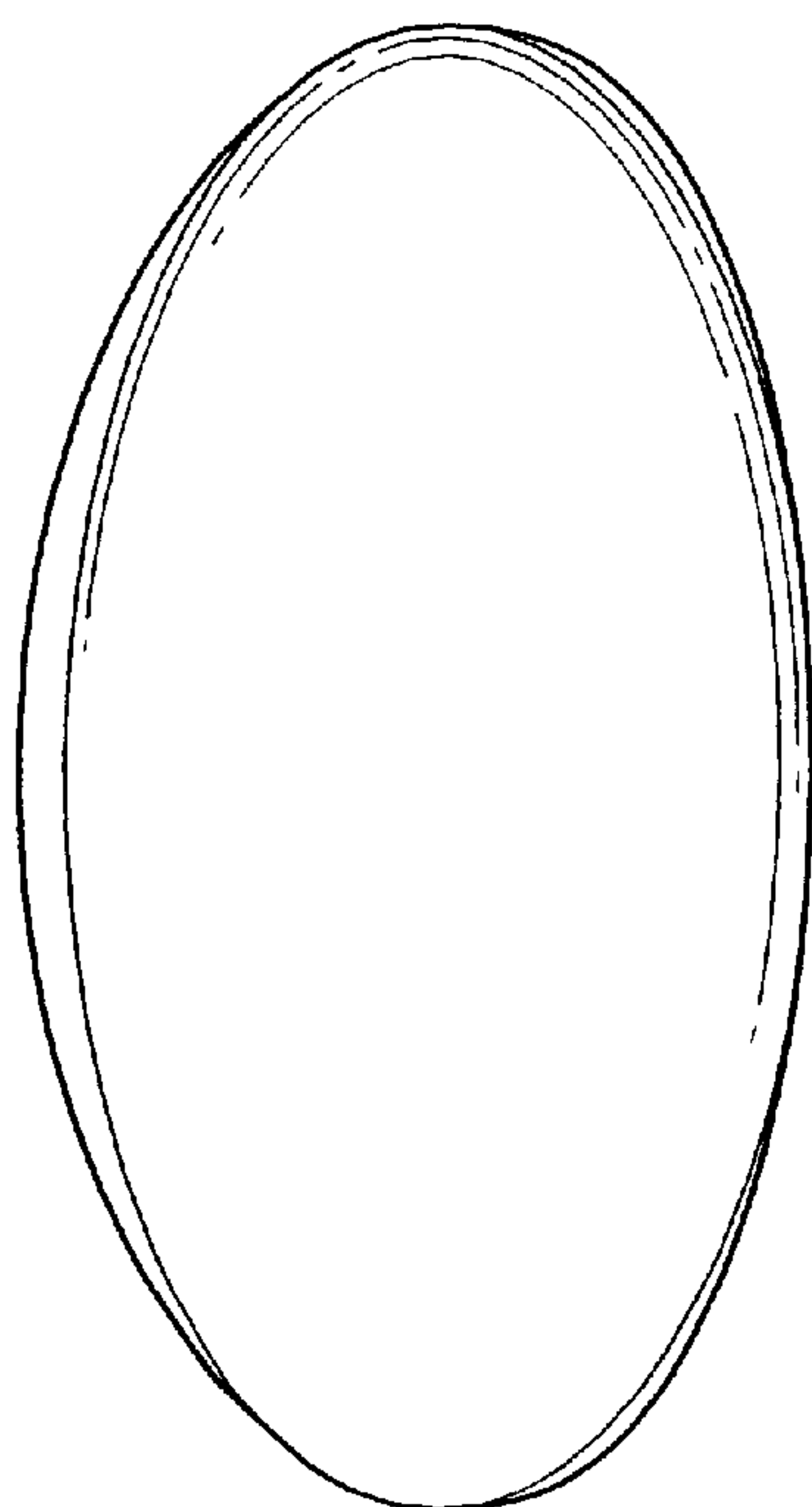


FIG. 2



FIG. 4

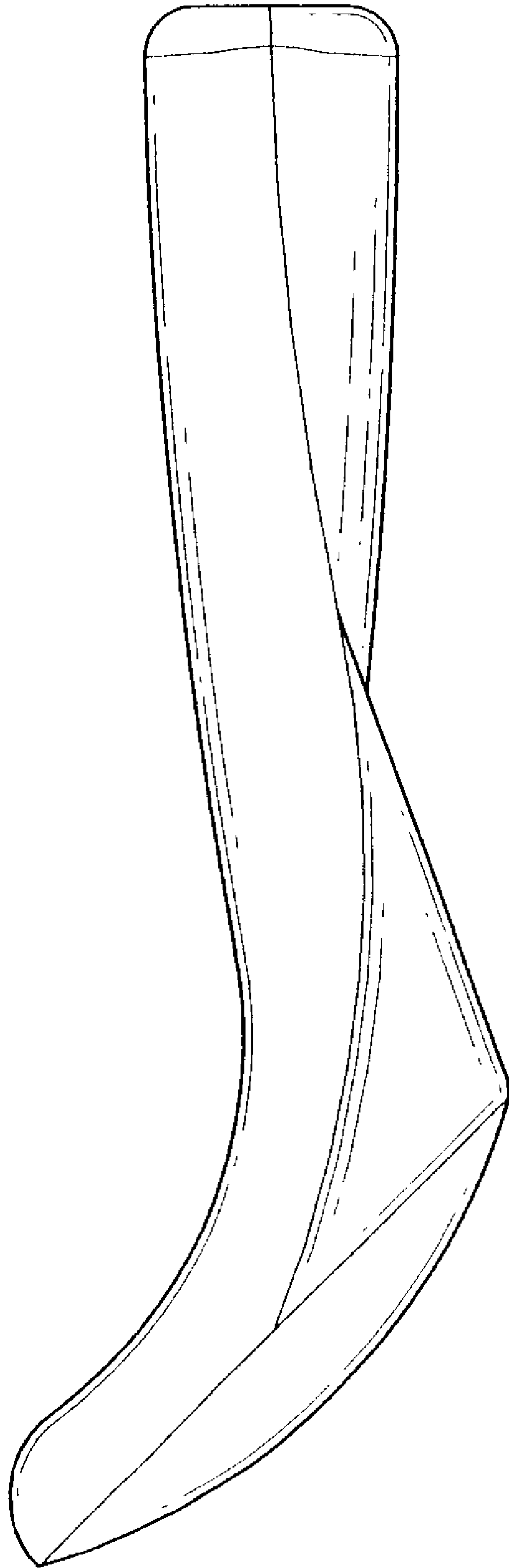


FIG. 5



FIG. 6

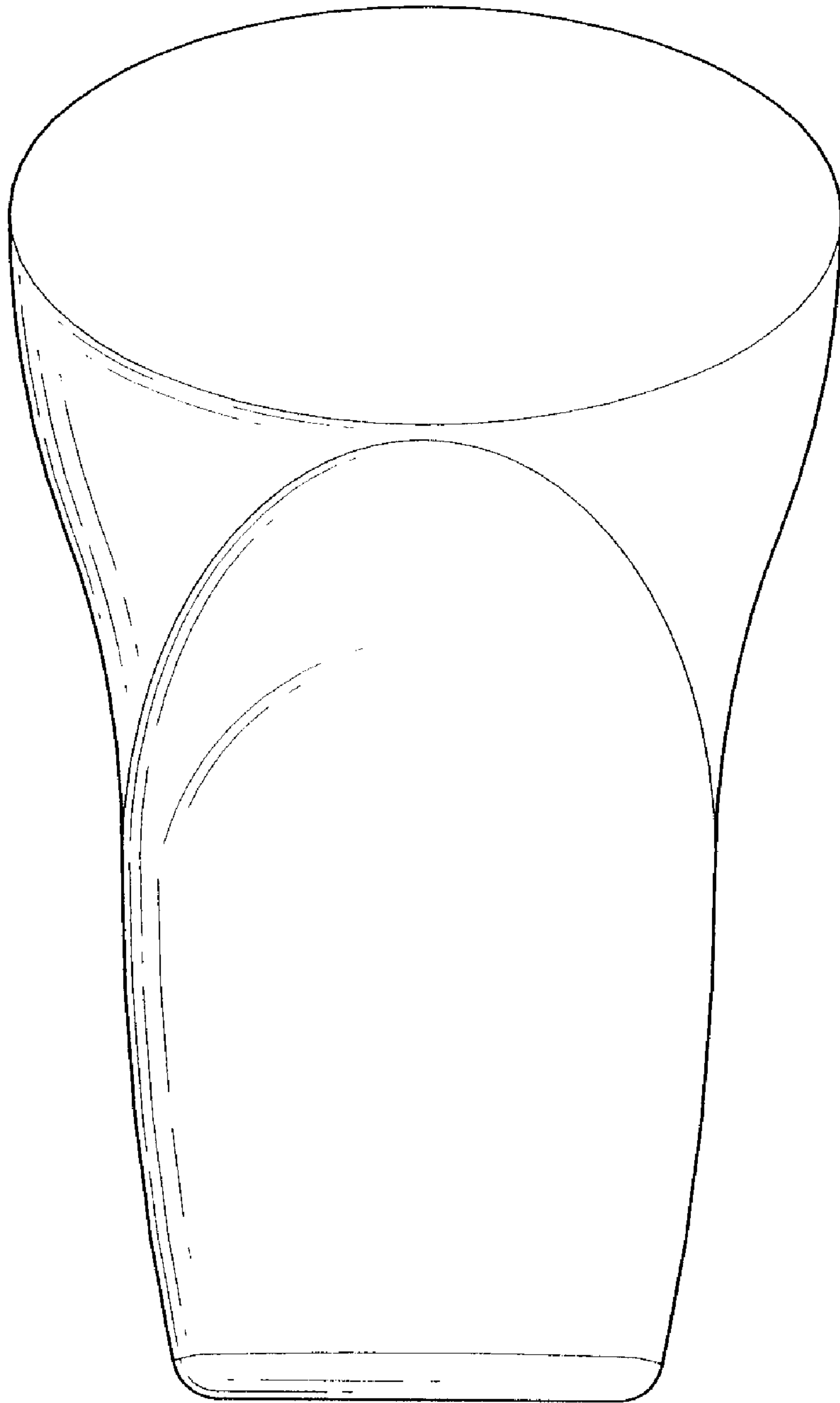


FIG.7

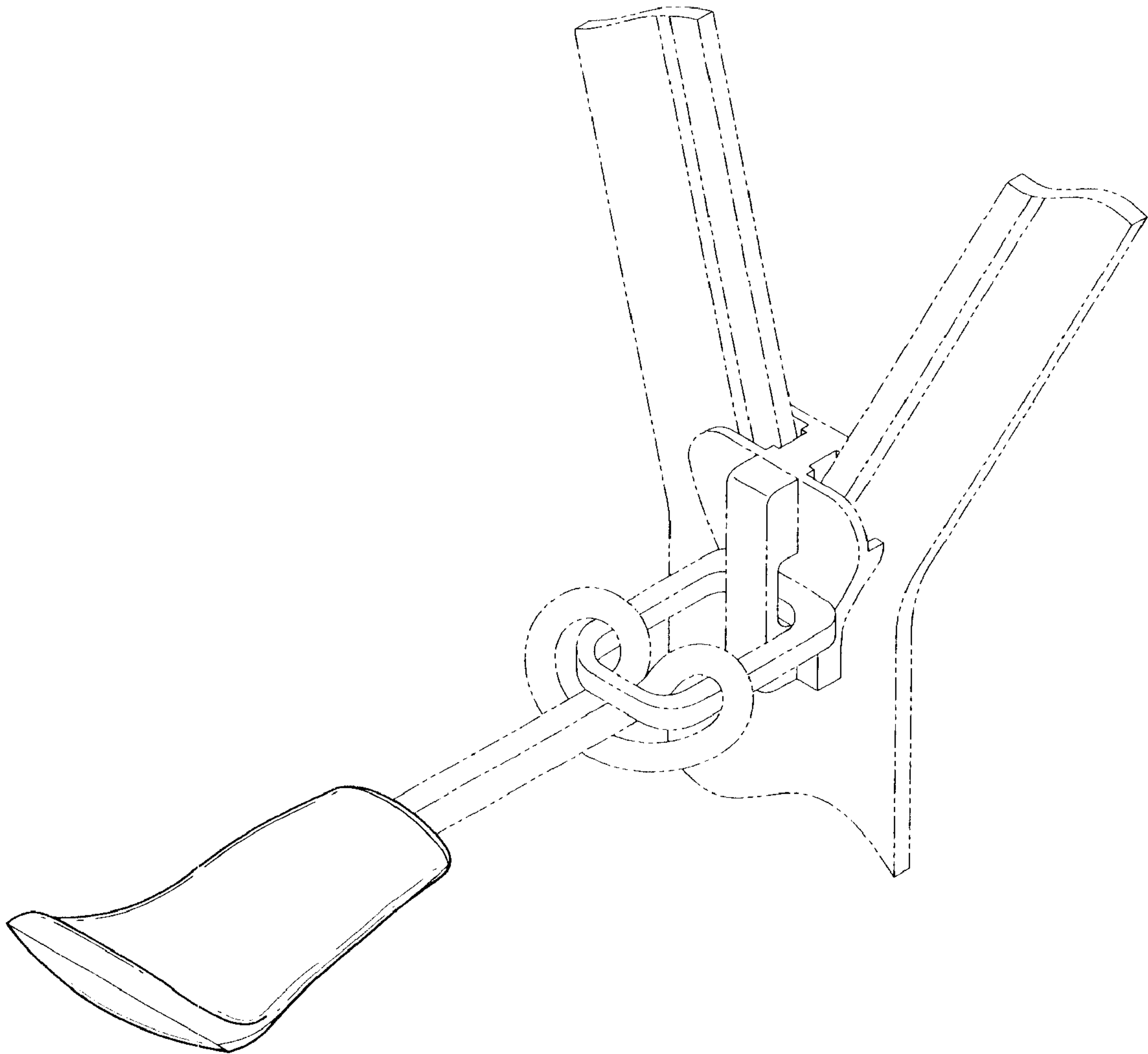


FIG. 8