



US00D527305S

(12) **United States Design Patent**
Weiser

(10) **Patent No.:** **US D527,305 S**

(45) **Date of Patent:** **** Aug. 29, 2006**

(54) **PEACOCK NOVELTY**

(75) Inventor: **Margaret Weiser**, Tarzana, CA (US)

(73) Assignee: **Exhart Environmental Systems, Inc.**,
Chatsworth, CA (US)

(**) Term: **14 Years**

(21) Appl. No.: **29/190,372**

(22) Filed: **Sep. 18, 2003**

(51) **LOC (8) Cl.** **11-02**

(52) **U.S. Cl.** **D11/162; D21/606**

(58) **Field of Classification Search** D21/455,
D21/458, 576-661; D11/205, 211, 217, 219,
D11/224, 233, 239, 31, 47, 49, 57, 82, 100,
D11/117, 121, 127, 131, 141, 157, 158, 162;
D20/30; D10/54, 59; 428/12, 15, 16, 542.2,
428/542.4, 542.6; 446/34-68, 87, 89, 102,
446/119, 169, 176, 199, 201, 217, 218, 236,
446/238, 268-385, 390, 391, 486, 487, 490;
70/170.01, 170.05; 40/411-413, 417-420

See application file for complete search history.

(56) **References Cited**

U.S. PATENT DOCUMENTS

1,538,562 A	5/1925	Koshalko	
1,601,983 A	* 10/1926	Savage	446/362
D88,734 S	* 12/1932	Grubbs	D21/606
1,910,923 A	5/1933	Kerr	
D103,569 S	* 3/1937	Gernet	D11/162
D119,191 S	* 2/1940	Vipond	D21/606
D131,617 S	* 3/1942	Jacoby	D9/317
D145,474 S	* 8/1946	Garcia	D11/162
2,560,481 A	* 7/1951	Rouse	446/331
D175,662 S	* 9/1955	Yasui	D21/609
D191,115 S	* 8/1961	Okamoto	D21/585

D201,657 S	* 7/1965	Lewis	D20/21
D241,461 S	* 9/1976	Lambert	D21/592
4,048,749 A	* 9/1977	Zitting et al.	446/363
D257,364 S	* 10/1980	Molenaar	D21/458
4,582,497 A	4/1986	Lyons	446/217
D337,358 S	* 7/1993	Orak	D21/589
5,469,738 A	* 11/1995	Hendrickson	73/170.07
5,501,885 A	* 3/1996	Yeh	428/9
5,613,317 A	* 3/1997	Ninegar	43/3
D387,636 S	* 12/1997	Chang	D8/1
5,971,828 A	10/1999	Lin	446/217
D434,935 S	* 12/2000	Lian	D6/550
6,206,747 B1	3/2001	Skwarek	446/217
6,360,474 B1	* 3/2002	Wurlitzer	43/3
6,364,732 B1	4/2002	Wu	446/217
6,422,913 B1	7/2002	Trejo	446/217
6,475,056 B1	11/2002	Christianson	446/201
D474,421 S	* 5/2003	Weiser	D11/162
6,572,428 B1	* 6/2003	Weiser et al.	446/35

* cited by examiner

Primary Examiner—Catherine Tuttle

(74) *Attorney, Agent, or Firm*—Cislo & Thomas, LLP

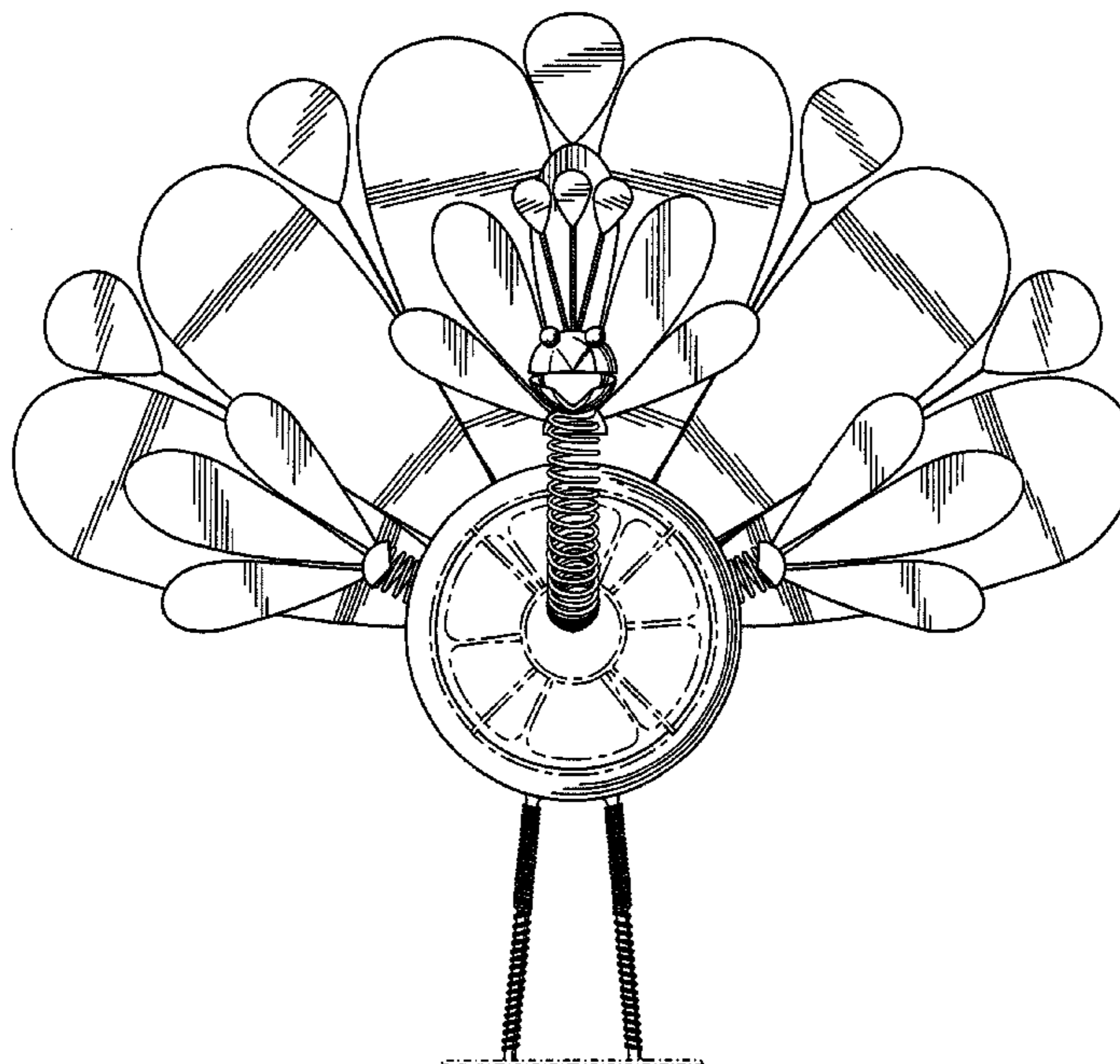
(57) **CLAIM**

I claim the ornamental design for a peacock novelty, as shown and described herein.

DESCRIPTION

FIG. 1. Is a front view of my peacock novelty;
FIG. 2. Is a rear view thereof;
FIG. 3. Is a right side elevational view thereof with the left side elevational view being a mirror image thereof;
FIG. 4. Is a top view thereof; and,
FIG. 5. Is a bottom view thereof.
The portions shown in broken lines are for illustrative purposes only; and form no part of the claimed design.

1 Claim, 4 Drawing Sheets



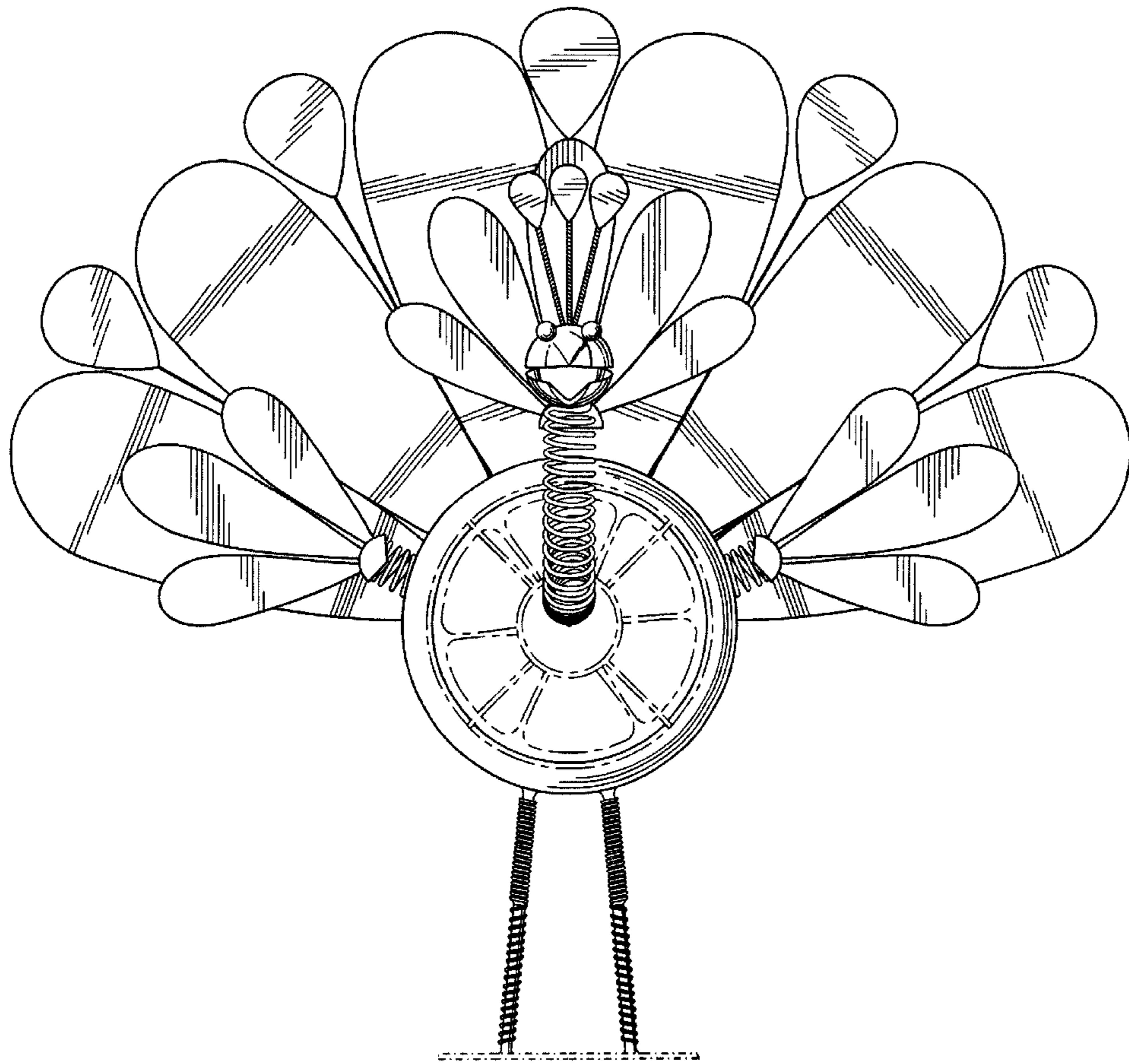


Fig. 1

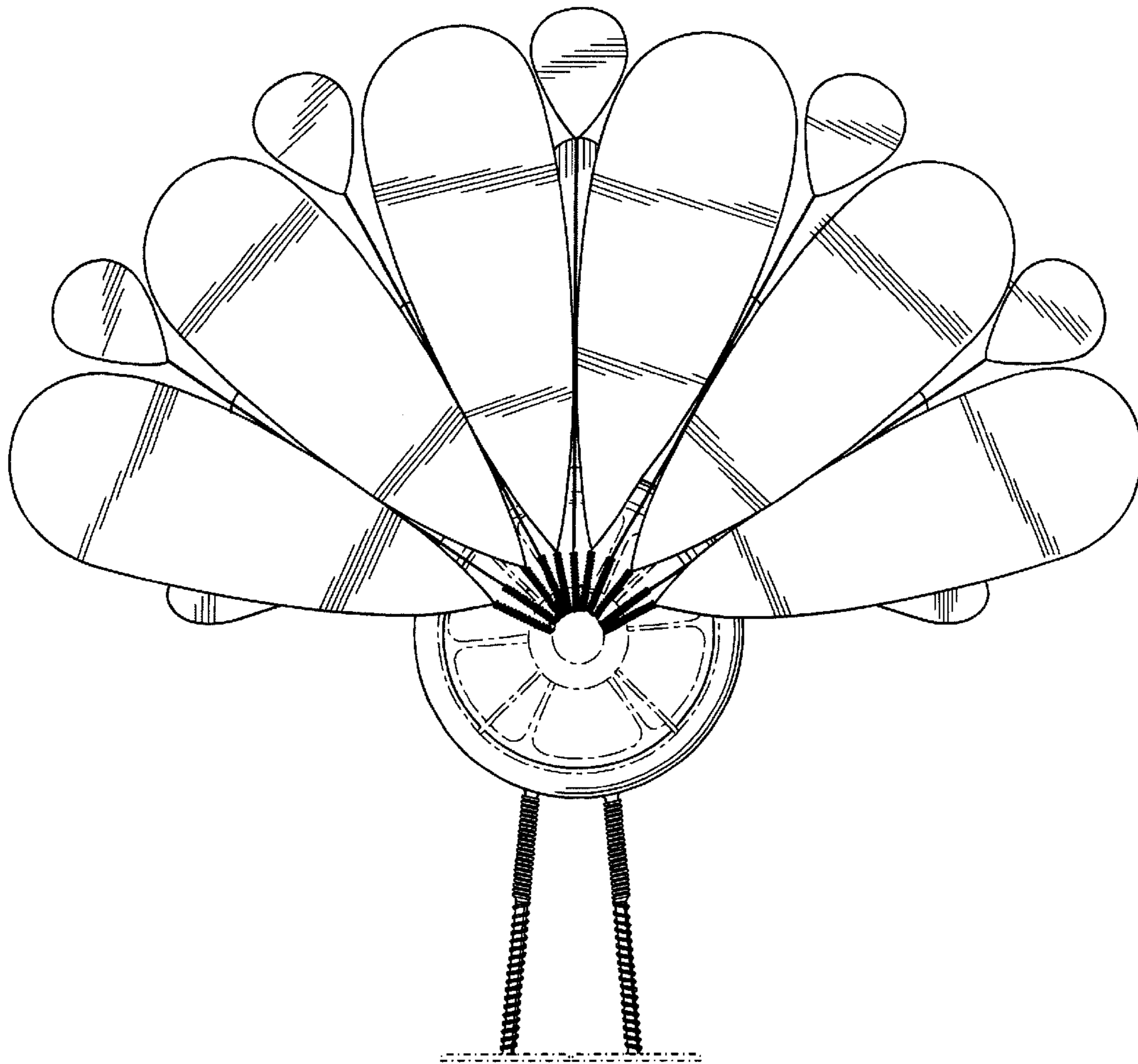


Fig. 2

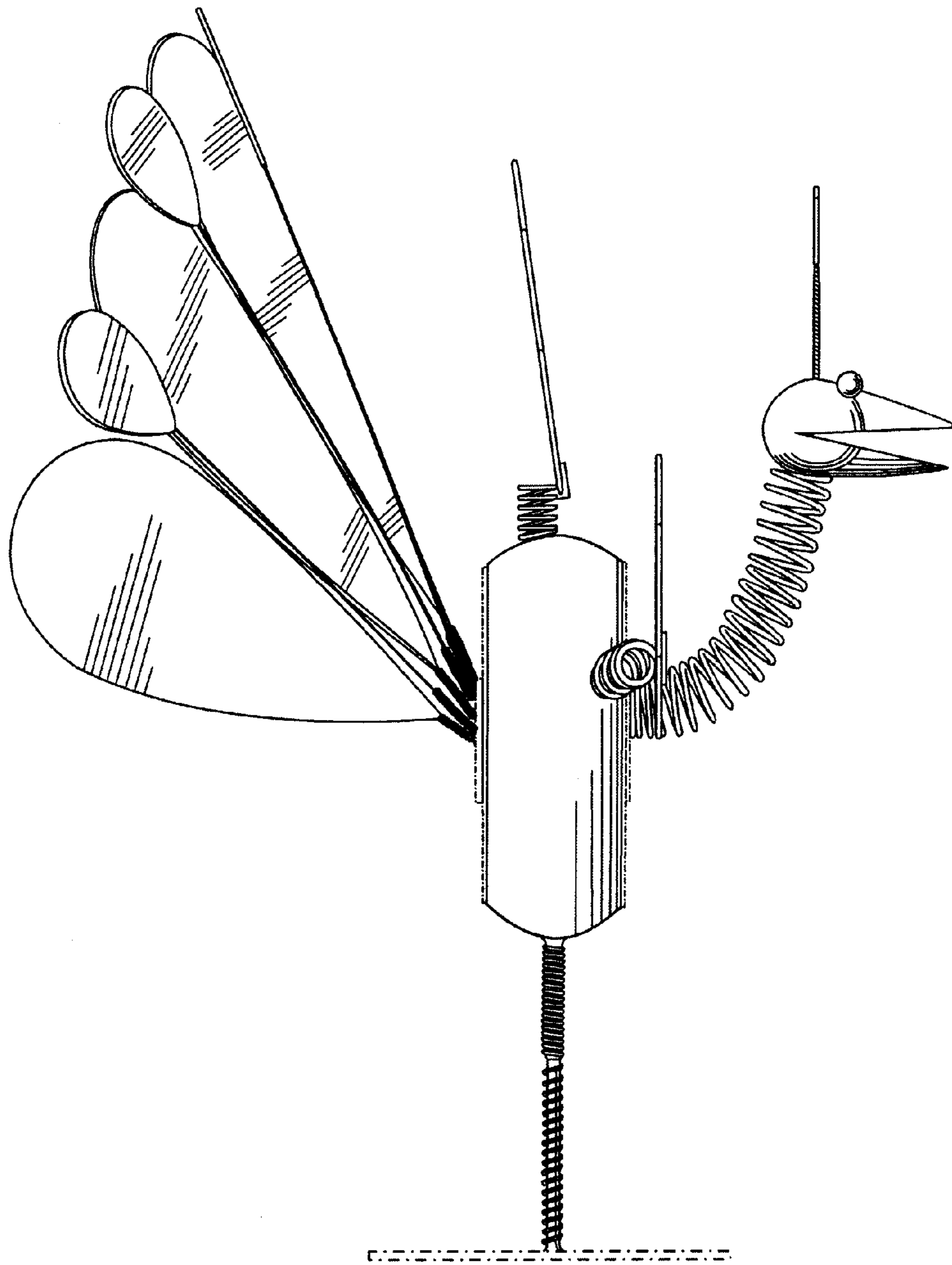


Fig. 3

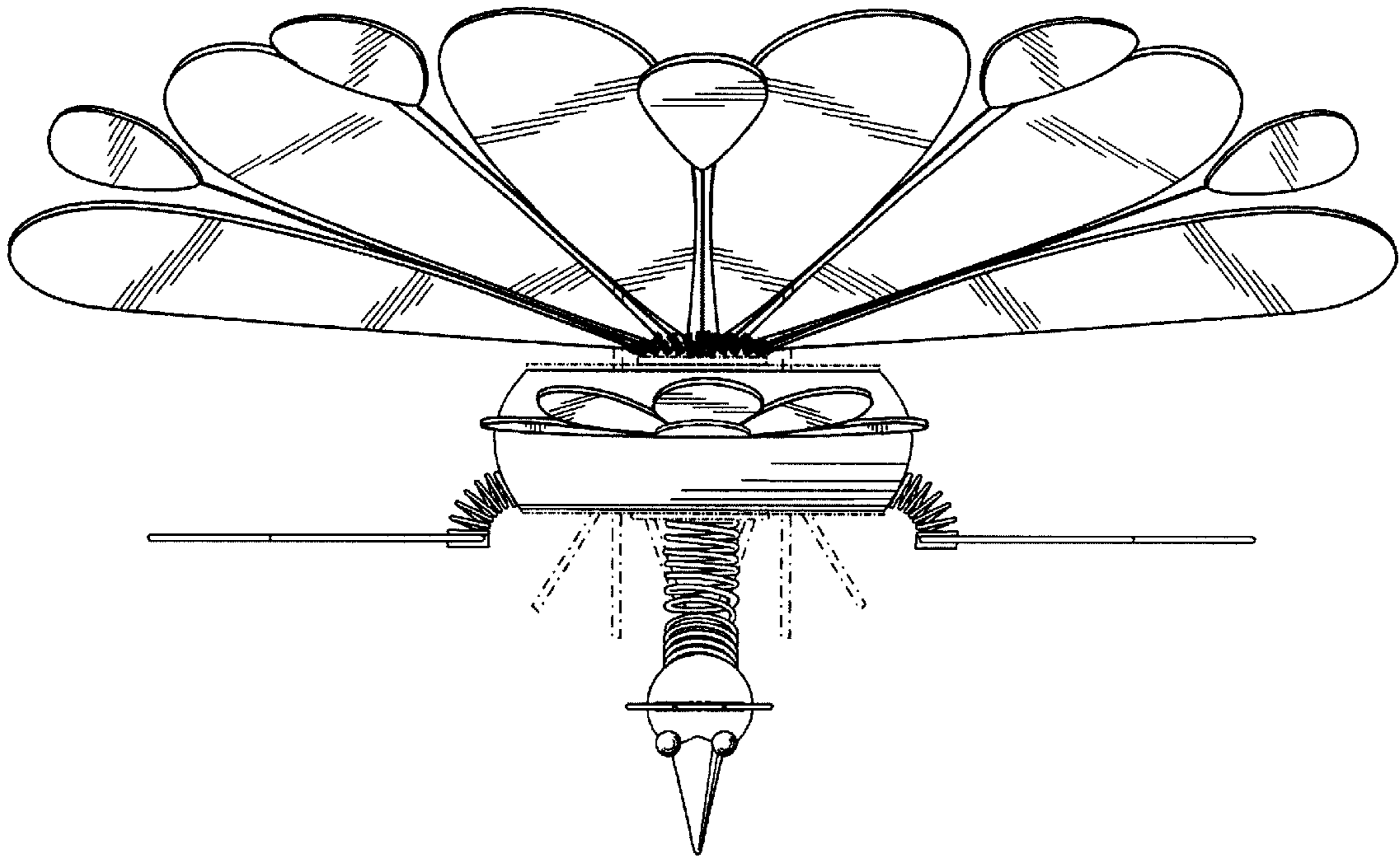


Fig. 4

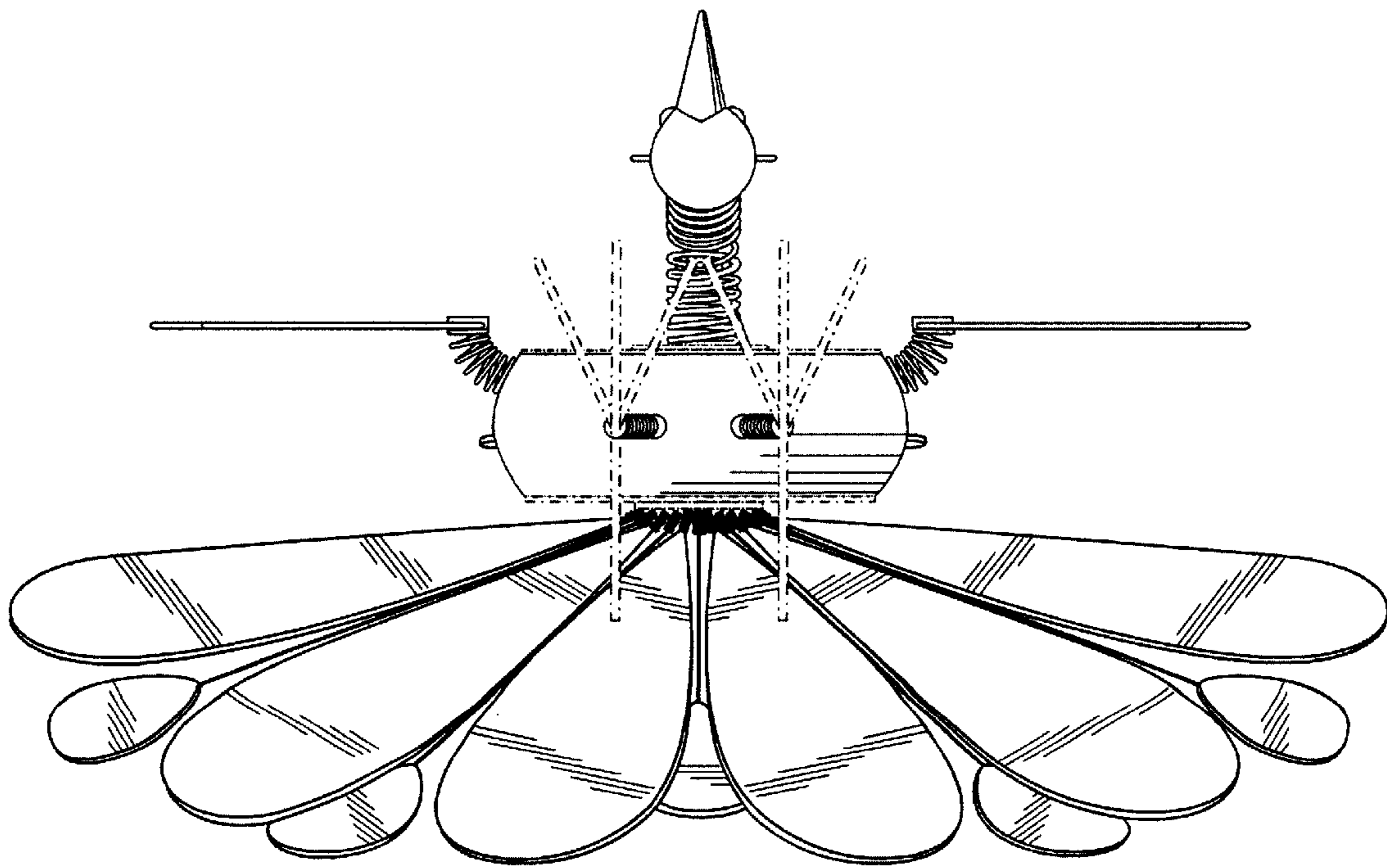


Fig. 5