

US00D527303S

(12) **United States Design Patent**  
**Cavness**

(10) **Patent No.:** **US D527,303 S**

(45) **Date of Patent:** **\*\* Aug. 29, 2006**

(54) **CROSS-FISH SCULPTURE**

(75) Inventor: **John Arthur Cavness**, San Angelo, TX  
(US)

(73) Assignee: **O-I-C it Studios, LLC**, Lewisville, TX  
(US)

(\*\*) Term: **14 Years**

(21) Appl. No.: **29/234,811**

(22) Filed: **Jul. 22, 2005**

(51) **LOC (8) Cl.** ..... **11-02**

(52) **U.S. Cl.** ..... **D11/157; D11/158**

(58) **Field of Classification Search** ..... D11/1,  
D11/44, 48, 56, 70, 75, 78, 79, 81, 96, 99,  
D11/103, 108, 121, 122, 125, 131, 141, 157;  
D6/450, 451, 458, 462, 487, 497, 499; D99/25,  
D99/27, 99; D20/29, 36; 428/3, 7-16, 542.2,  
428/542.4, 542.6; 52/80.1, 80.2, 81.6, 648.1;  
248/915; 211/181.1

See application file for complete search history.

(56) **References Cited**

**U.S. PATENT DOCUMENTS**

D181,496 S \* 11/1957 Sly ..... D11/141  
3,900,984 A \* 8/1975 Garelick ..... 446/486  
D261,631 S \* 11/1981 Immel ..... D11/131  
4,637,941 A \* 1/1987 Rochte ..... 428/8

D341,790 S \* 11/1993 Wanek ..... D10/118  
D401,883 S \* 12/1998 Madhvani ..... D11/81  
D416,513 S \* 11/1999 Tavone ..... D11/96  
D417,168 S \* 11/1999 Hollingsworth ..... D11/121  
D431,206 S \* 9/2000 Byers ..... D11/125  
D470,432 S \* 2/2003 Rabinowitz ..... D11/125  
D472,184 S \* 3/2003 Ben-Haim ..... D11/157  
D494,884 S \* 8/2004 Steiner ..... D11/96

\* cited by examiner

*Primary Examiner*—Catherine Tuttle

(74) *Attorney, Agent, or Firm*—John G. Fischer; Storm LLP

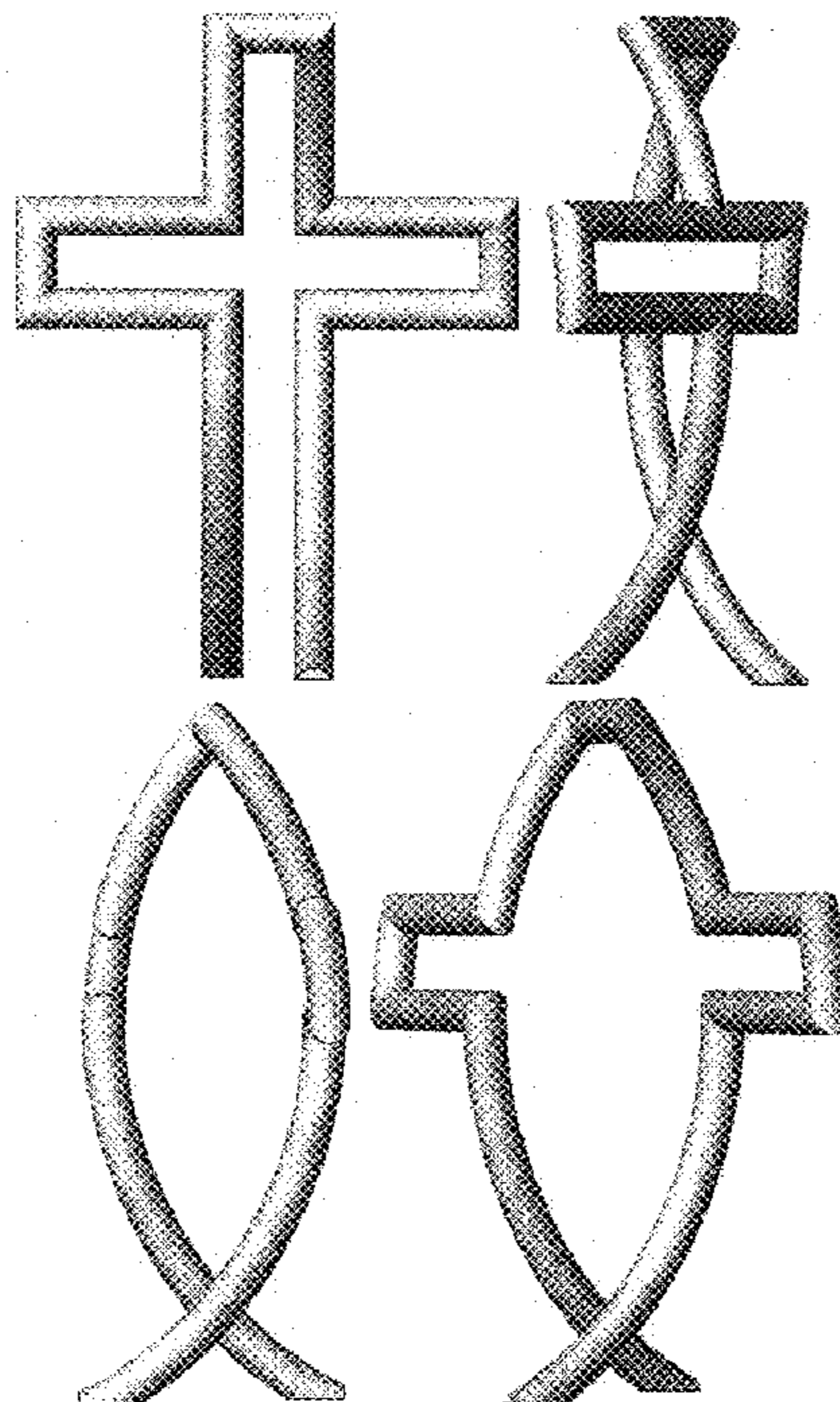
(57) **CLAIM**

The ornamental design for a cross-fish sculpture, as shown and described.

**DESCRIPTION**

FIG. 1 is the front view of the design;  
FIG. 2 is the front and left view rotated 45° from FIG. 1;  
FIG. 3 is the left side view rotated 90° from FIG. 1;  
FIG. 4 is the left and rear view rotated 45° from FIG. 3;  
FIG. 5 is the rear view opposite to FIG. 1;  
FIG. 6 is the rear and right view opposite to FIG. 2;  
FIG. 7 is the right side view opposite to FIG. 3;  
FIG. 8 is the right and front view opposite to FIG. 4;  
FIG. 9 is the top view, shown on an enlarged scale; and,  
FIG. 10 is the bottom view, shown on an enlarged scale.

**1 Claim, 10 Drawing Sheets**



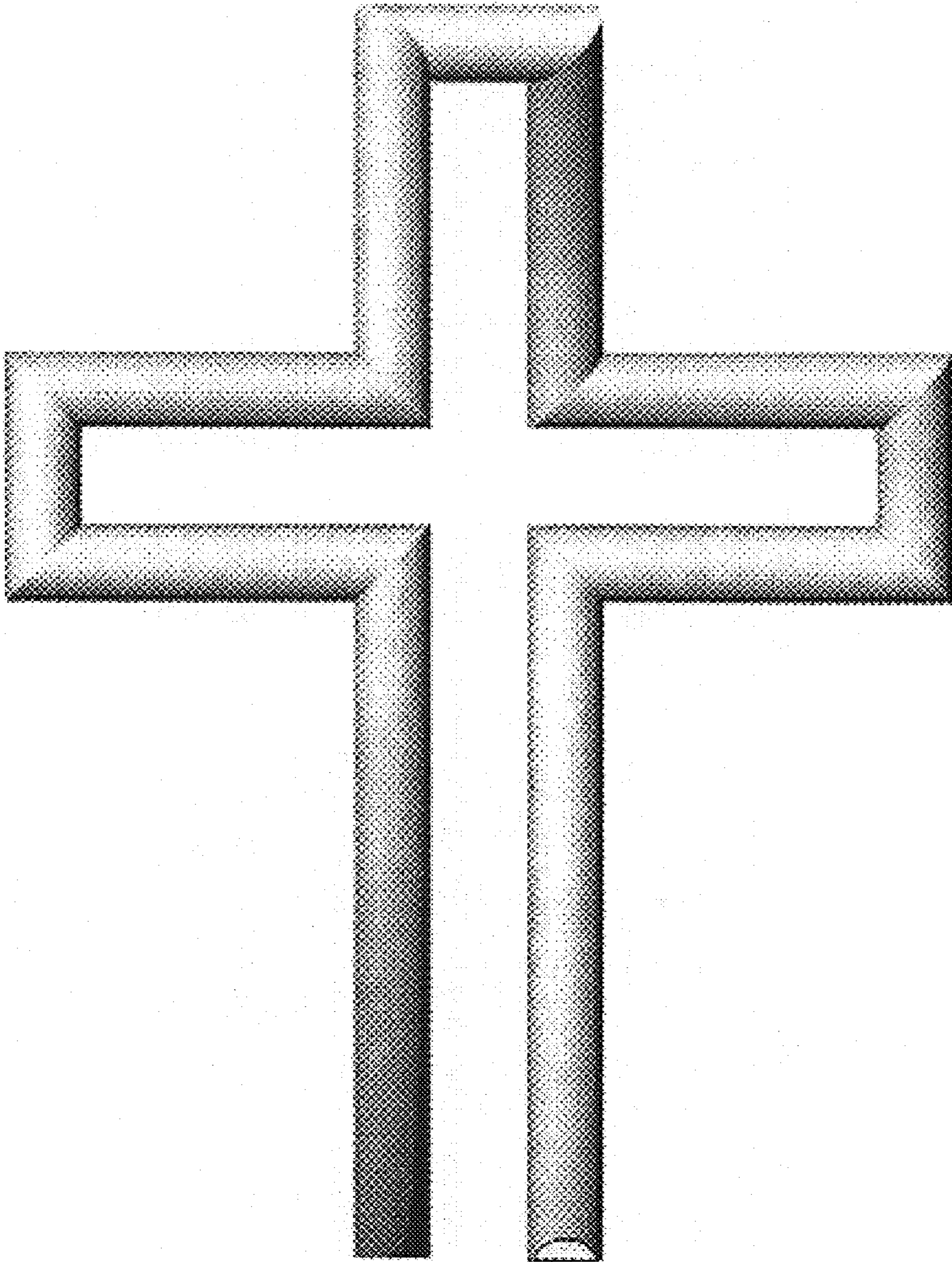


Figure 1



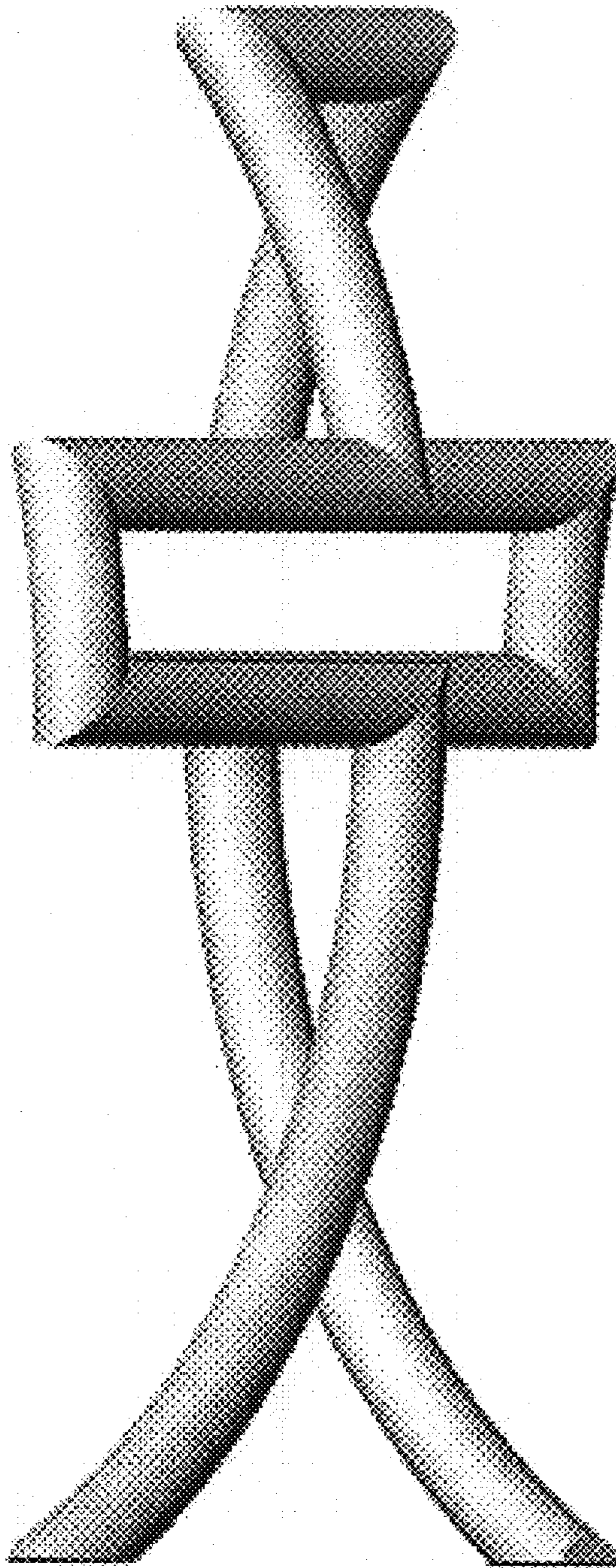


Figure 2

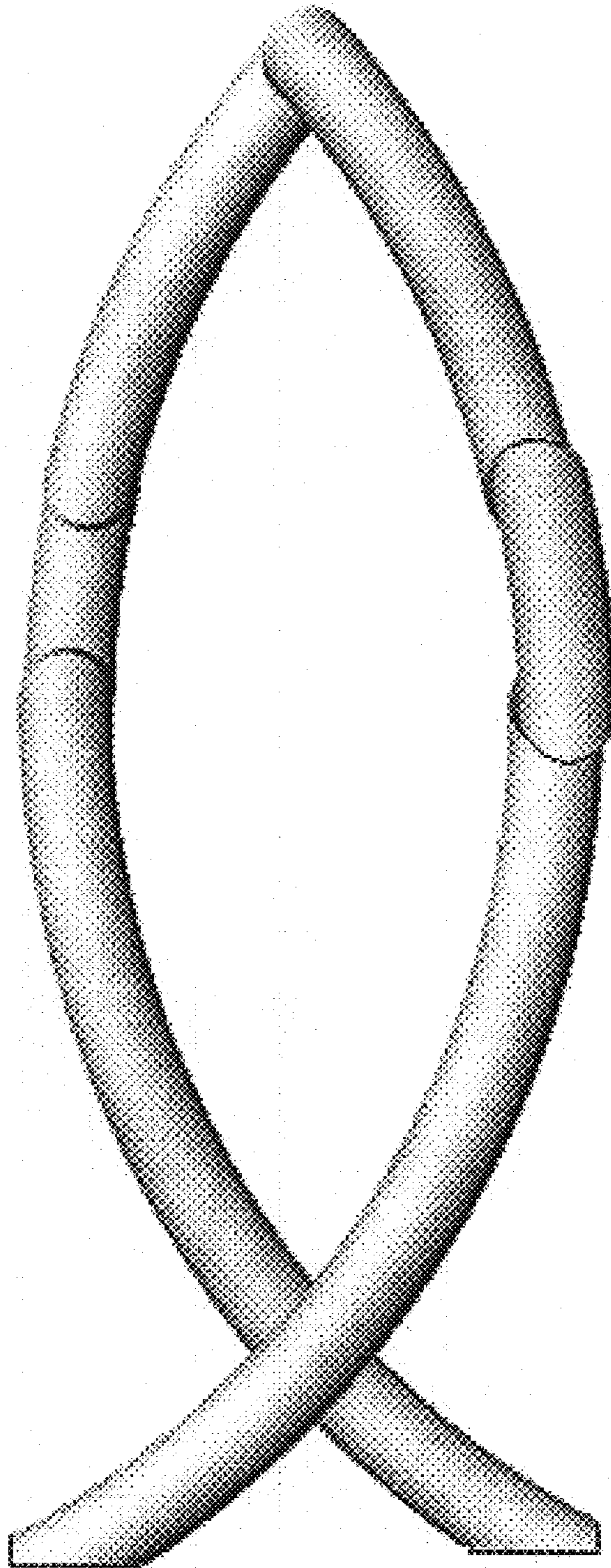


Figure 3



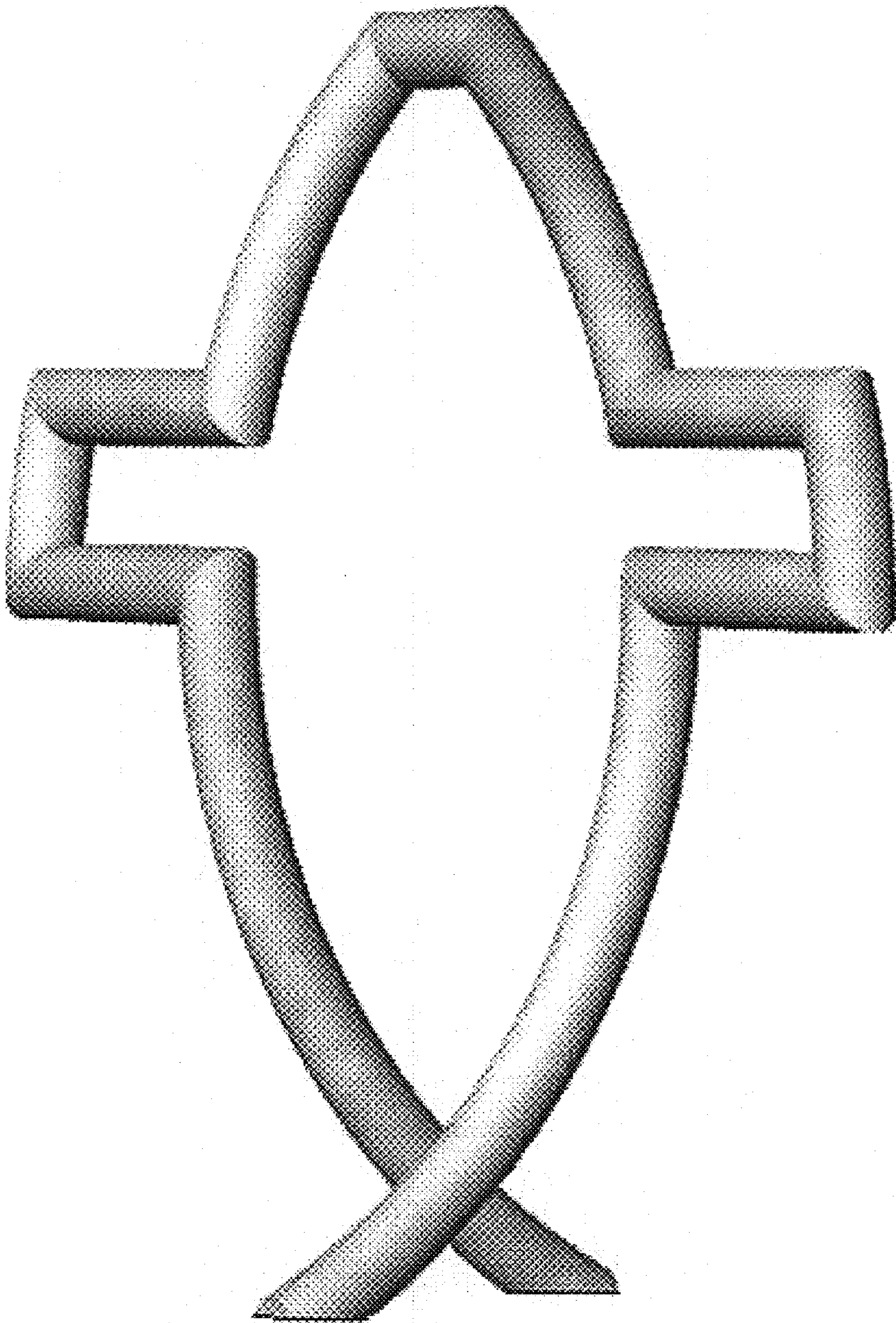


Figure 4



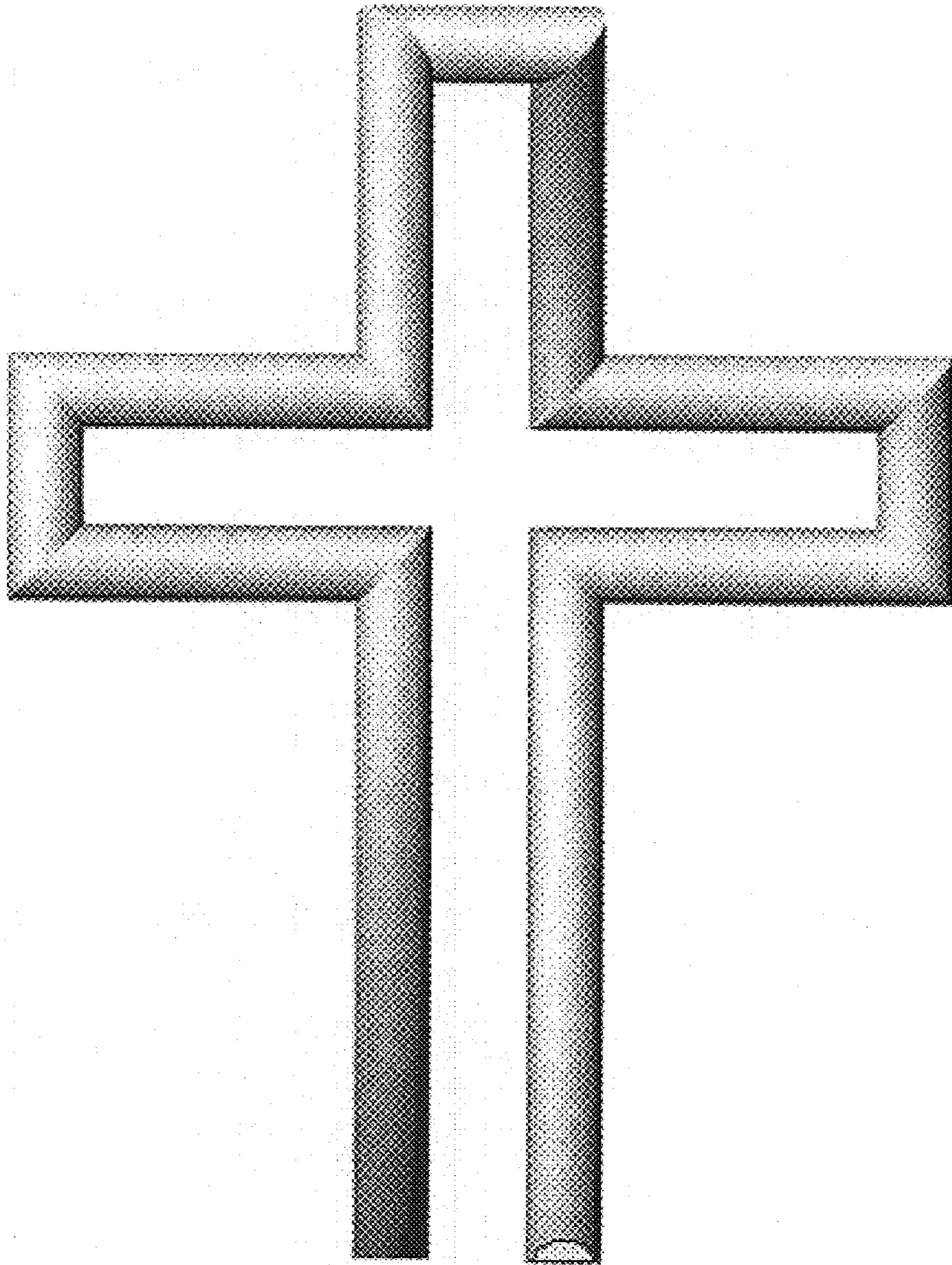


Figure 5

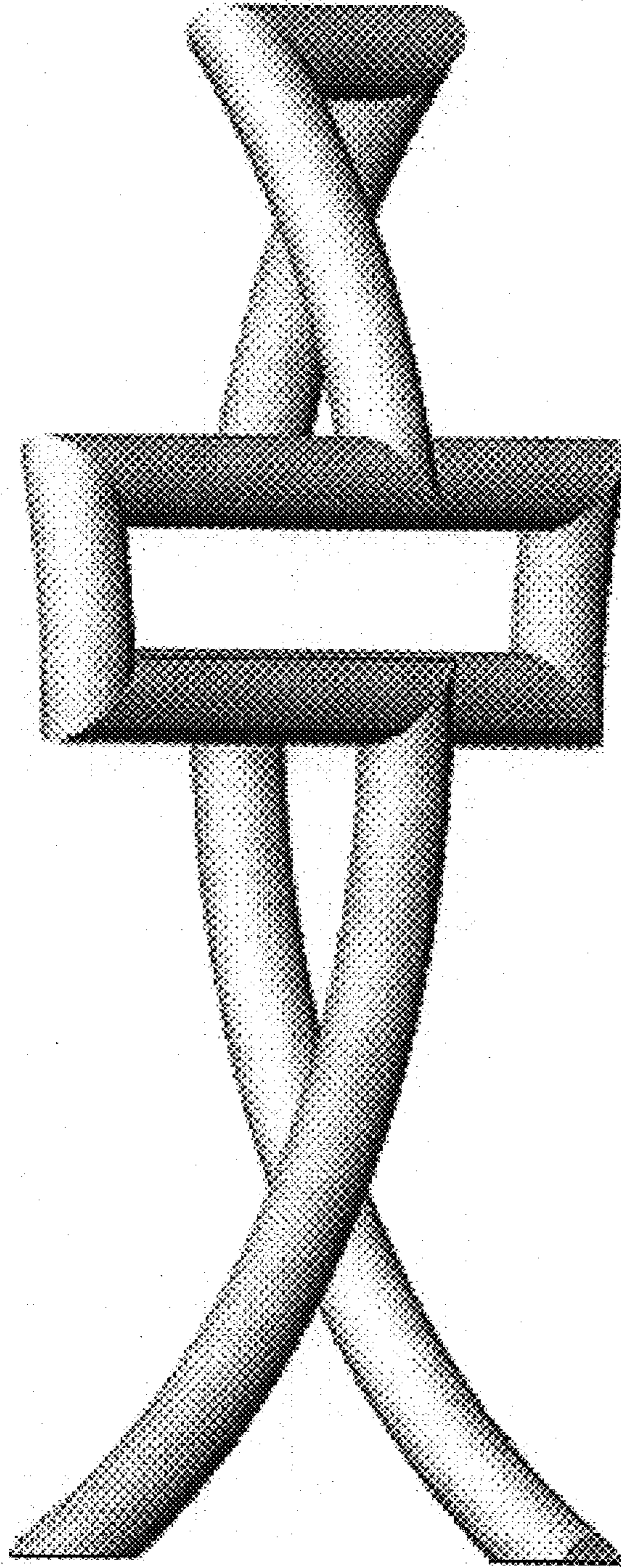


Figure 6



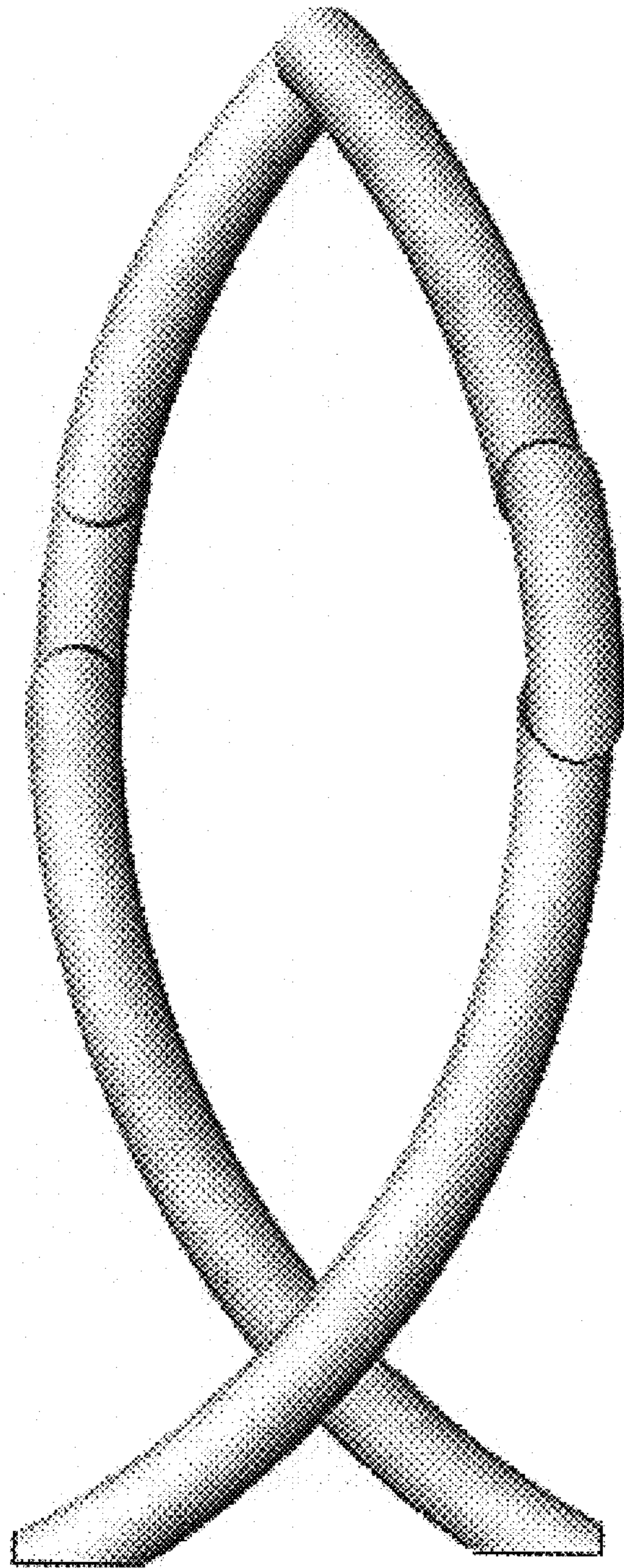


Figure 7



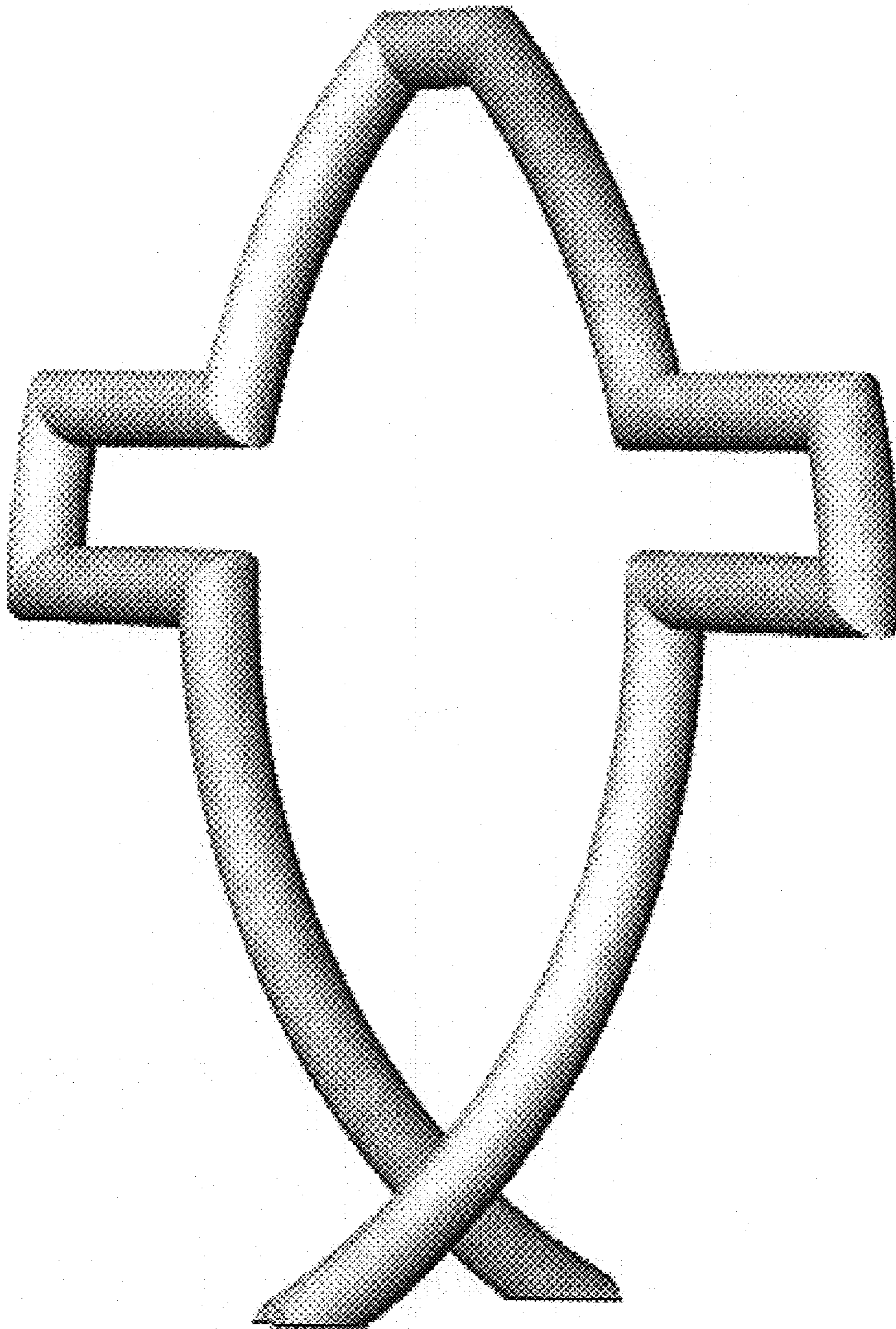


Figure 8

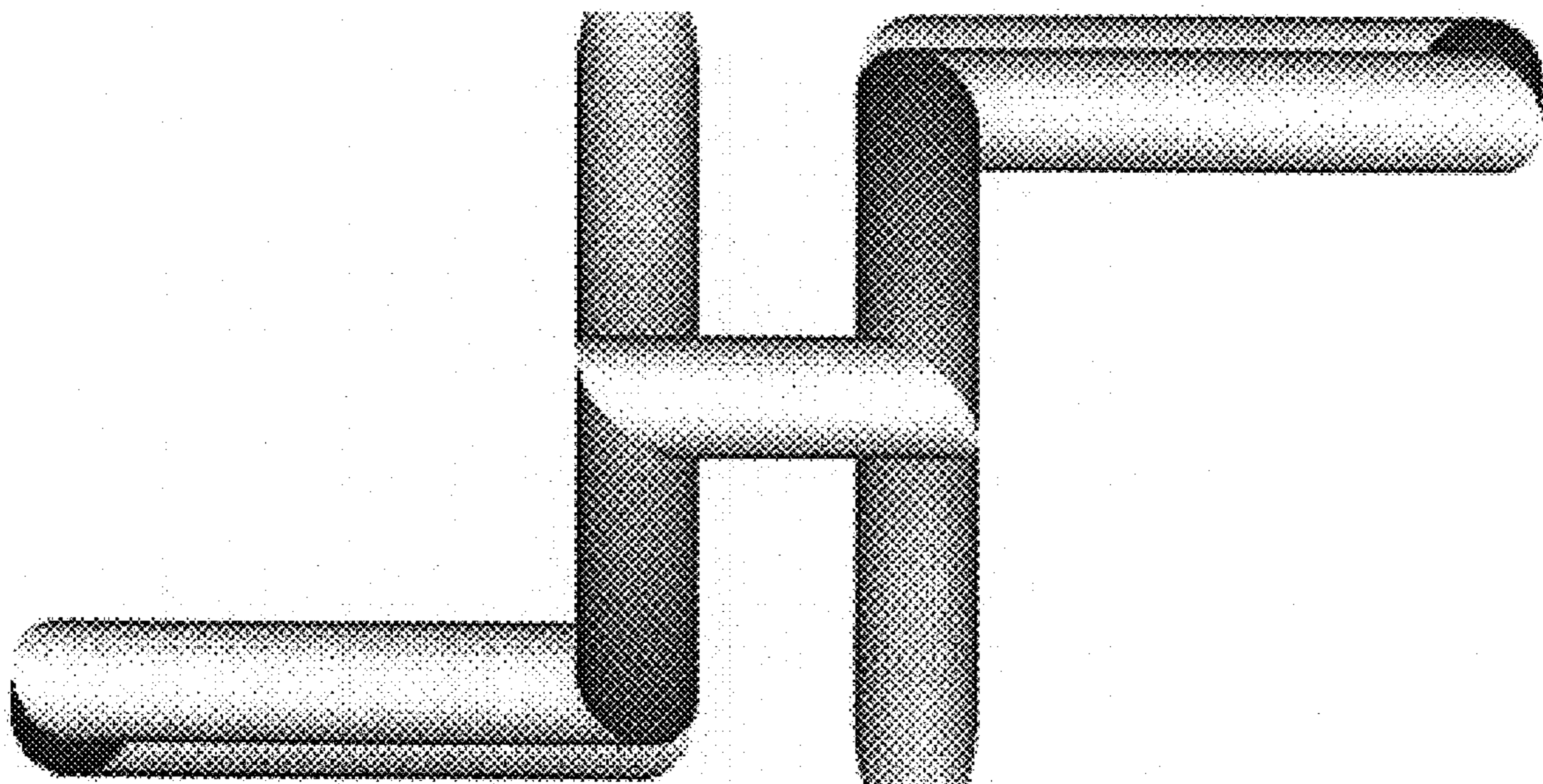


Figure 9



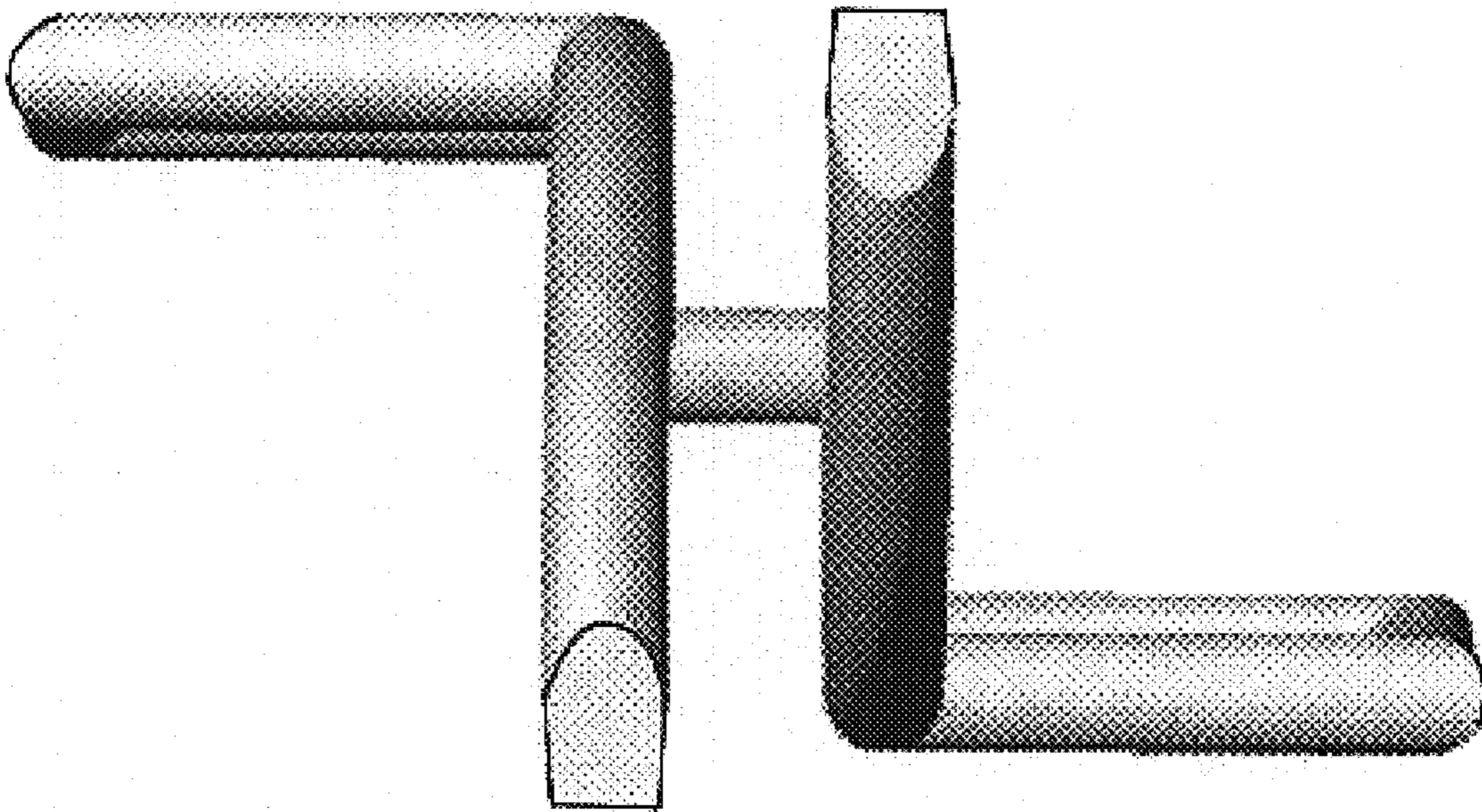


Figure 10