



US00D527302S

(12) **United States Design Patent**  
**Vladamirov**

(10) **Patent No.:** **US D527,302 S**

(45) **Date of Patent:** **\*\* Aug. 29, 2006**

- (54) **PYRAMID FOR HARMONIZING ENERGY**
- (75) Inventor: **Stephan Georgiev Vladamirov**, Sofia (BG)
- (73) Assignees: **Brian Alexis**, Torrance, CA (US);  
**Emilia Encheva Kosturkova**, Sofia (BG)
- (\*\*) Term: **14 Years**
- (21) Appl. No.: **29/228,039**
- (22) Filed: **Apr. 19, 2005**
- (51) **LOC (8) Cl.** ..... **11-02**
- (52) **U.S. Cl.** ..... **D11/121; D11/131**
- (58) **Field of Classification Search** ..... D11/117-164;  
D6/310, 315, 318, 329, 366, 396, 410, 415,  
D6/449, 455, 458, 486, 491, 495, 498; D10/105,  
D10/109, 113, 114; D19/1-8; D20/10, 12,  
D20/17, 19, 29, 40, 43, 99; D21/302, 304,  
D21/449, 452, 484-507, 511; D25/26, 128,  
D25/129; D28/79, 93; D99/17, 21, 24, 25,  
D99/99; D16/244, 245; 428/3, 7-12, 542.2,  
428/542.4, 542.6; 446/82, 108, 115, 124,  
446/125, 127, 476, 478, 487, 488, 489; 40/124.01,  
40/124.08, 124.19, 606.01, 607.01, 607.02,  
40/607.04, 610, 612, 124.4, 903; 116/63 P,  
116/63 C, 63 T  
See application file for complete search history.

(56) **References Cited**  
U.S. PATENT DOCUMENTS

560,899 A	5/1896	Frazee	
1,695,307 A	12/1928	Wilson	
1,881,423 A	10/1932	Favreau	
2,067,527 A	1/1937	Greene	41/11
D115,870 S	* 7/1939	Jacobius	D6/455
2,461,748 A	* 2/1949	Looker	248/519
D164,326 S	8/1951	Robins	D29/1
D168,143 S	* 11/1952	Cohen	D6/415
3,698,124 A	10/1972	Reitzel et al.	46/30
3,905,681 A	* 9/1975	Nagel	359/533
3,911,854 A	* 10/1975	Manuel	116/63 P
4,167,075 A	* 9/1979	Pugh et al.	40/617

4,192,903 A	3/1980	Tremblay	428/8
4,196,239 A	* 4/1980	Sawyer	428/17
D261,373 S	* 10/1981	Fisher	D11/131
4,335,165 A	6/1982	Powers	428/8
4,596,726 A	* 6/1986	Wrzalinski	428/11
D313,772 S	1/1991	Beauregard	D11/118
D354,928 S	* 1/1995	Hoffman et al.	D11/118
D357,432 S	4/1995	Snodgrass	D11/118
D390,807 S	2/1998	Otto	D11/121
5,833,512 A	11/1998	Nicola	446/114
D417,329 S	11/1999	Ramadci	D99/25
6,857,385 B1	* 2/2005	Chen	116/63 T
2002/0124447 A1	* 9/2002	Burke	40/606
2003/0028069 A1	* 2/2003	Santiago	600/9

\* cited by examiner

*Primary Examiner*—Catherine Tuttle

(74) *Attorney, Agent, or Firm*—Cislo & Thomas, LLP

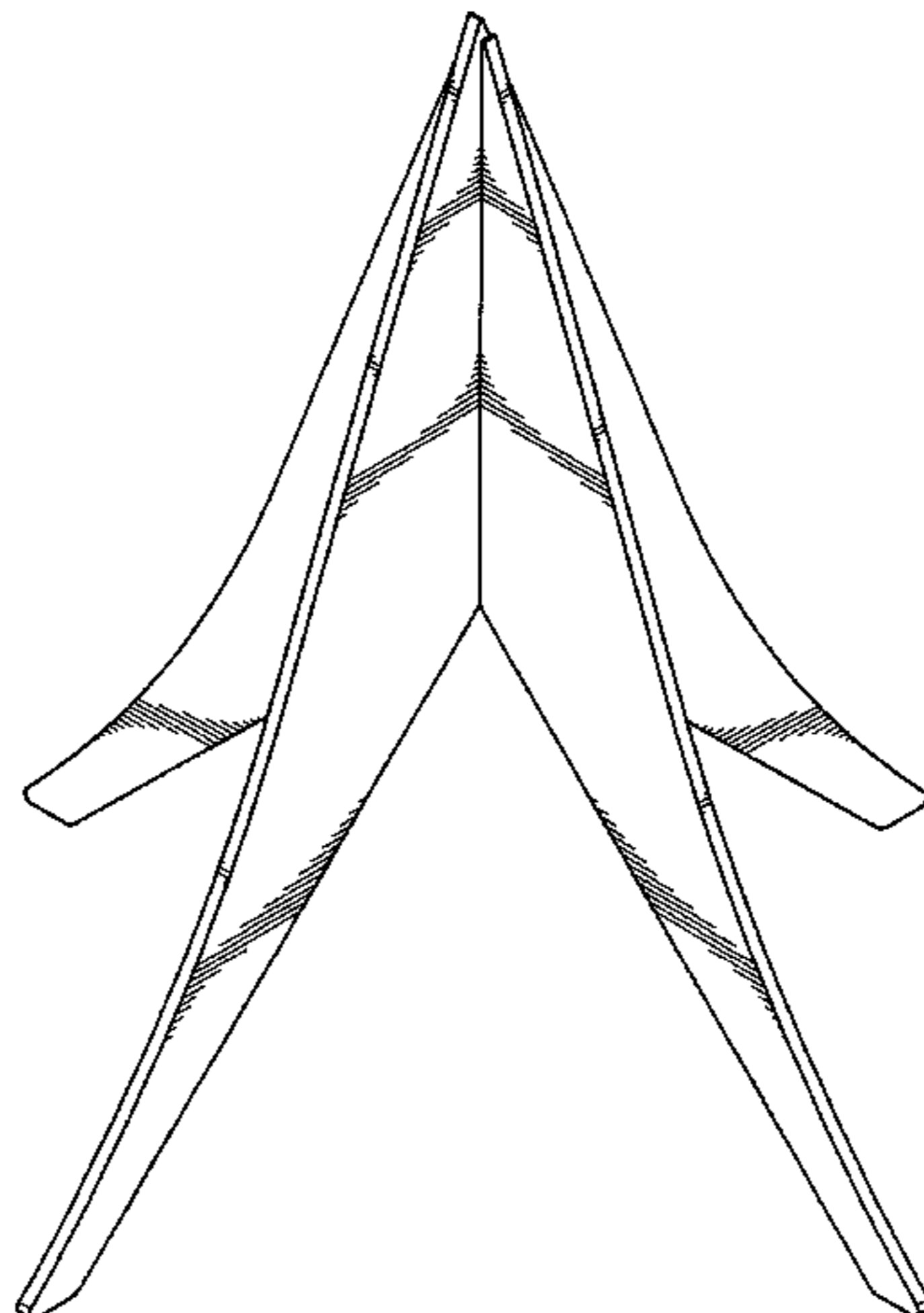
(57) **CLAIM**

I claim the ornamental design for a pyramid for harmonizing energy, as shown and described herein.

**DESCRIPTION**

- FIG. 1. Is a perspective view of my pyramid for harmonizing energy;
- FIG. 2. Is a front elevational view thereof, the rear being identical;
- FIG. 3. Is a top plan view thereof;
- FIG. 4. Is a bottom plan view thereof;
- FIG. 5 is a front elevational view of the lower piece forming the design shown in FIGS. 1-4, shown separate from the assembly for clarity of disclosure;
- FIG. 6. is a top plan view thereof
- FIG. 7. Is a left side elevational view thereof, the right side being identical;
- FIG. 8. Is a bottom plan view thereof;
- FIG. 9 is a front elevational view of the upper piece forming the design shown in FIGS. 1-4, shown separate from the assembly for clarity of disclosure;
- FIG. 10. Is a top plan view thereof;
- FIG. 11. Is a right side elevational view thereof, the left side being identical; and,
- FIG. 12. Is a bottom plan view thereof.

**1 Claim, 5 Drawing Sheets**



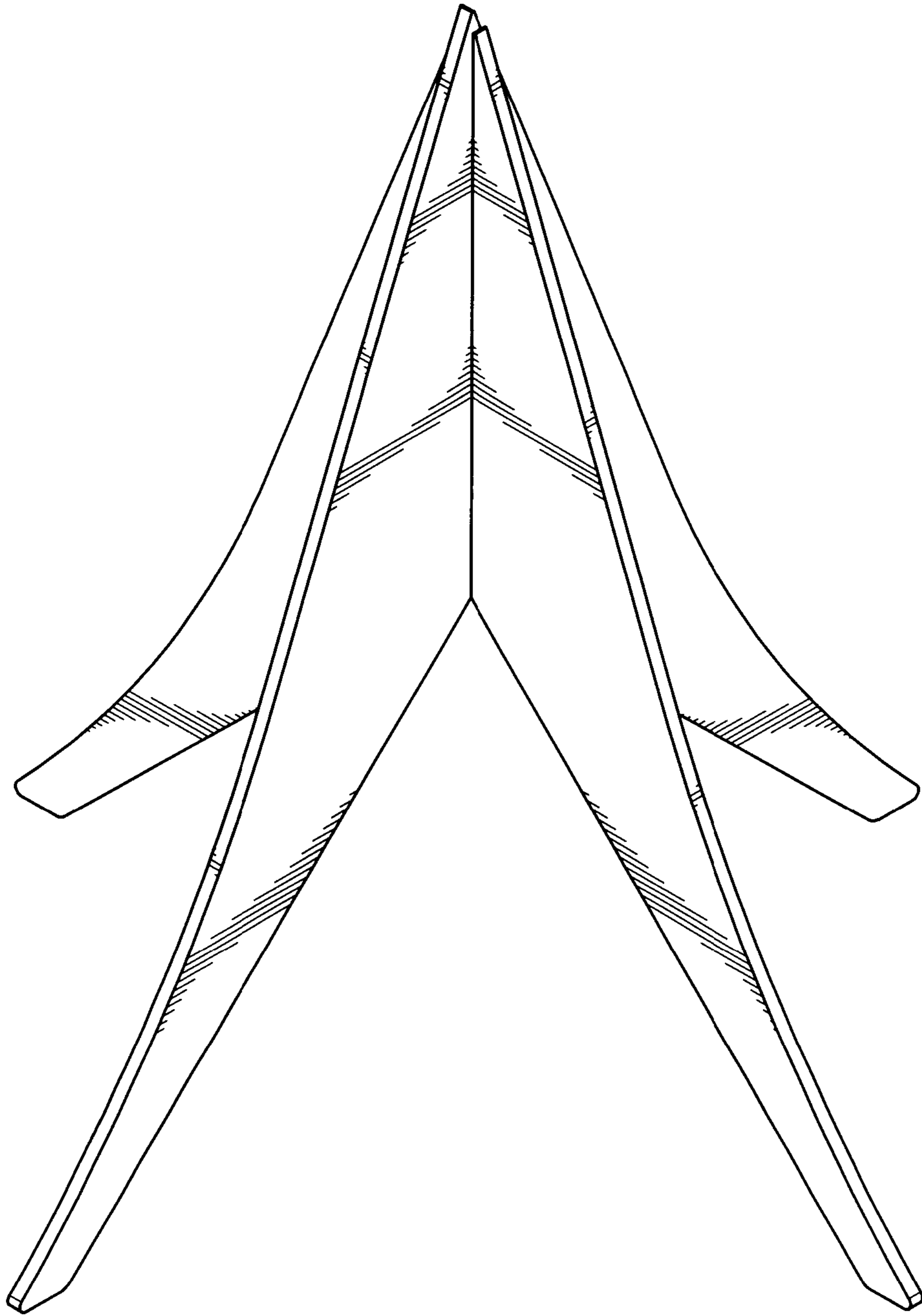


FIG. 1

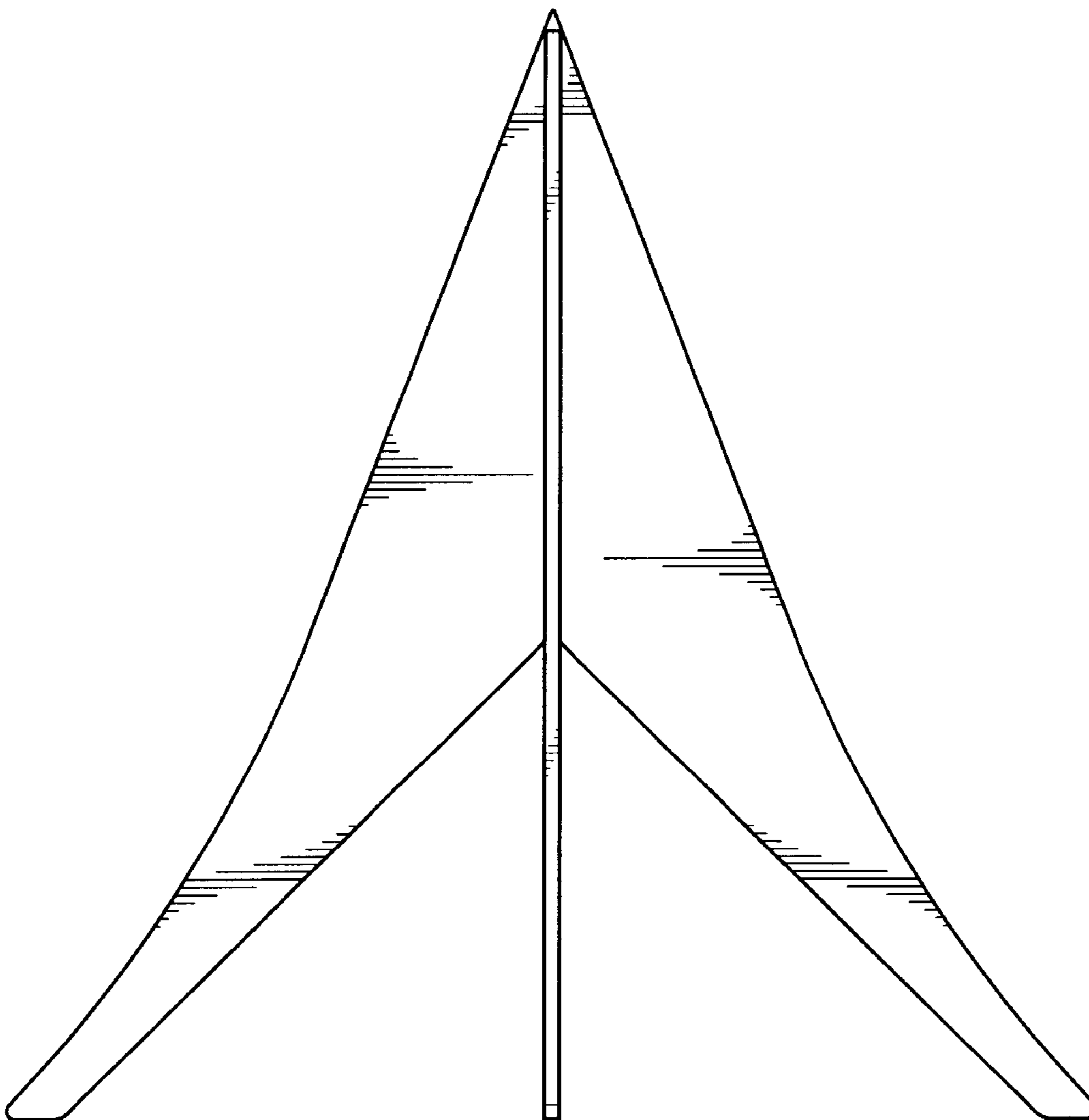


FIG. 2

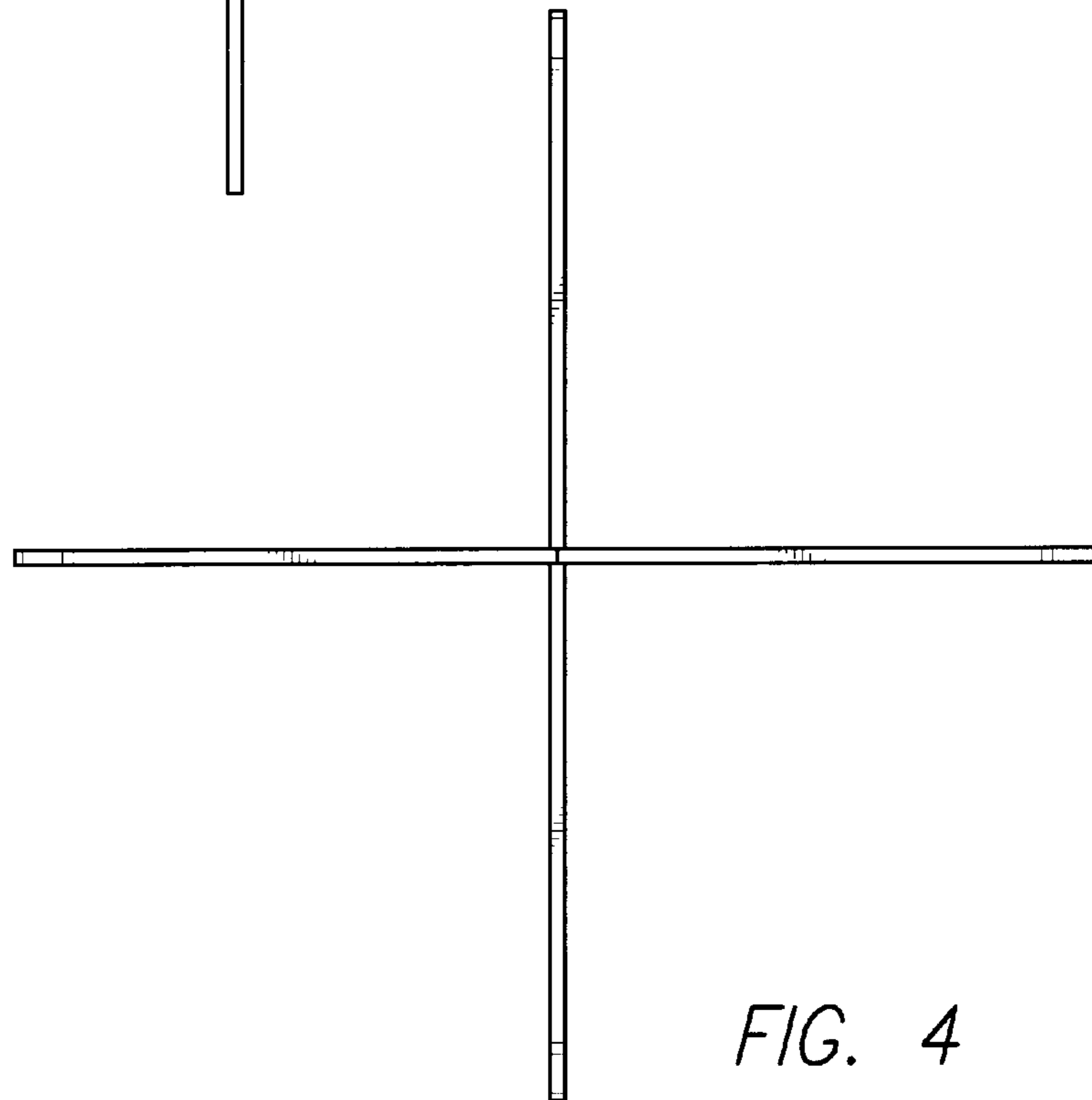
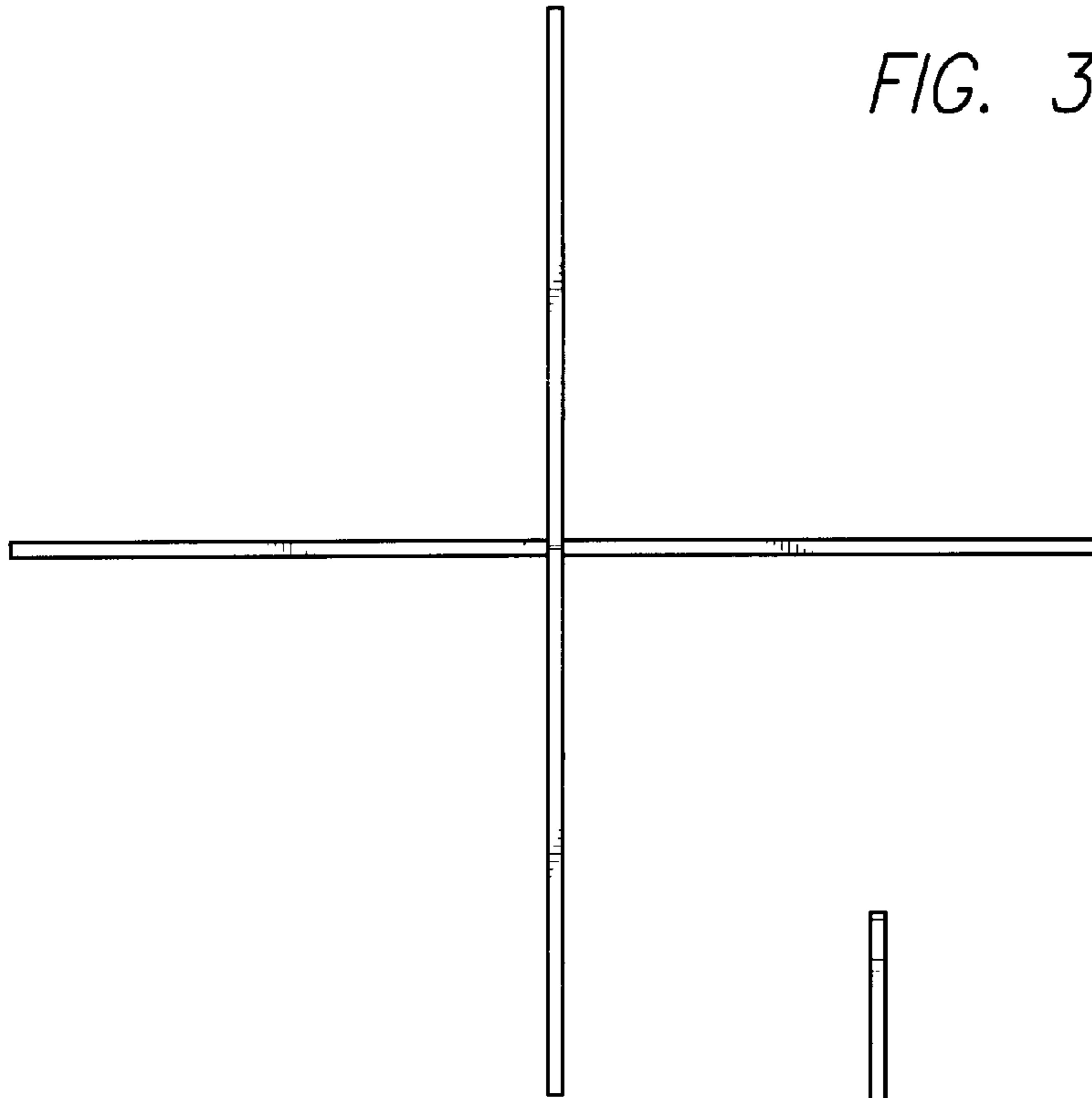




FIG. 6



FIG. 7

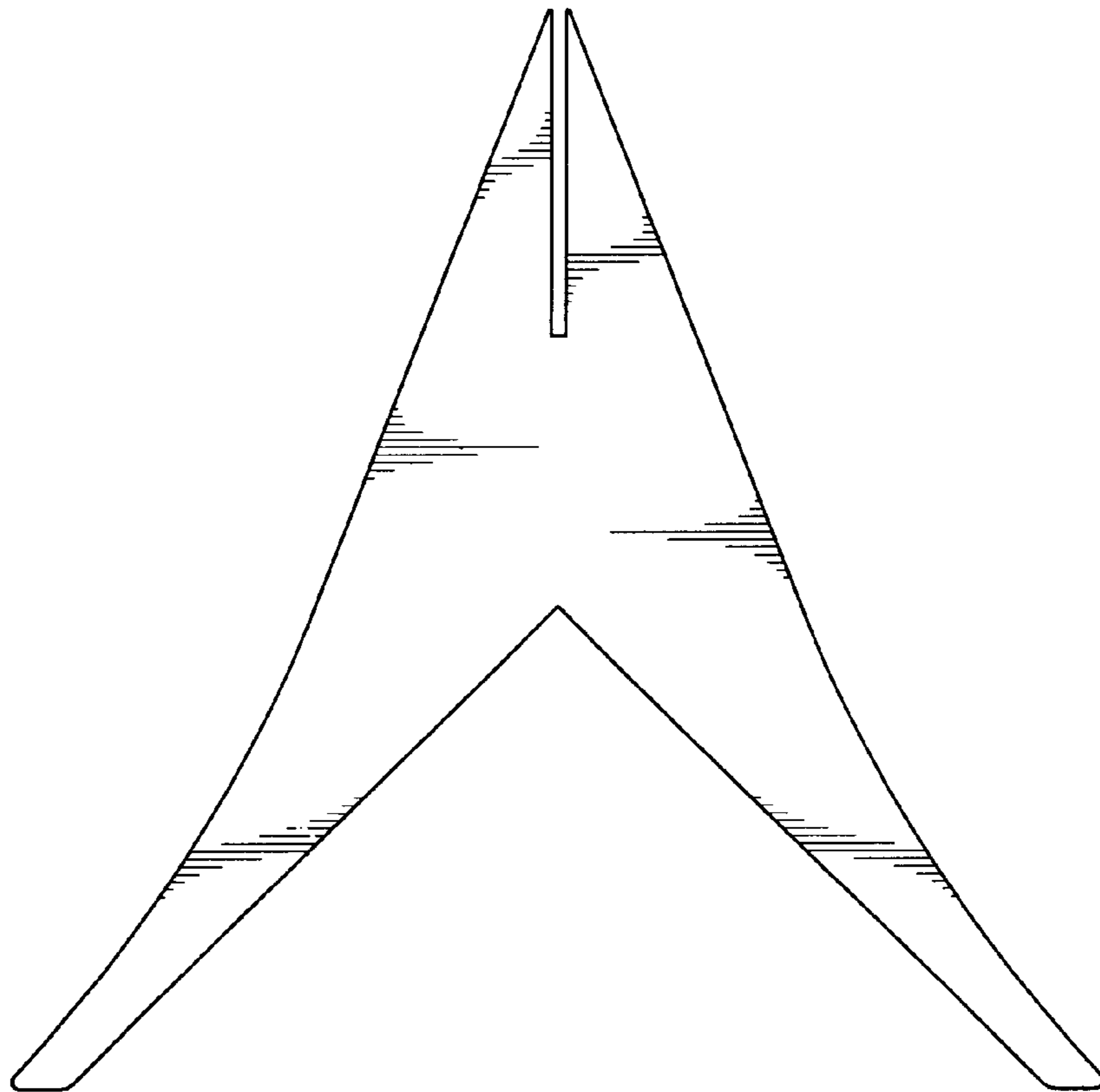


FIG. 5

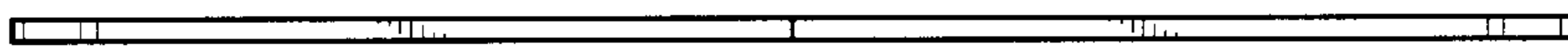


FIG. 8

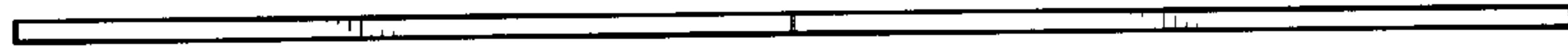


FIG. 10

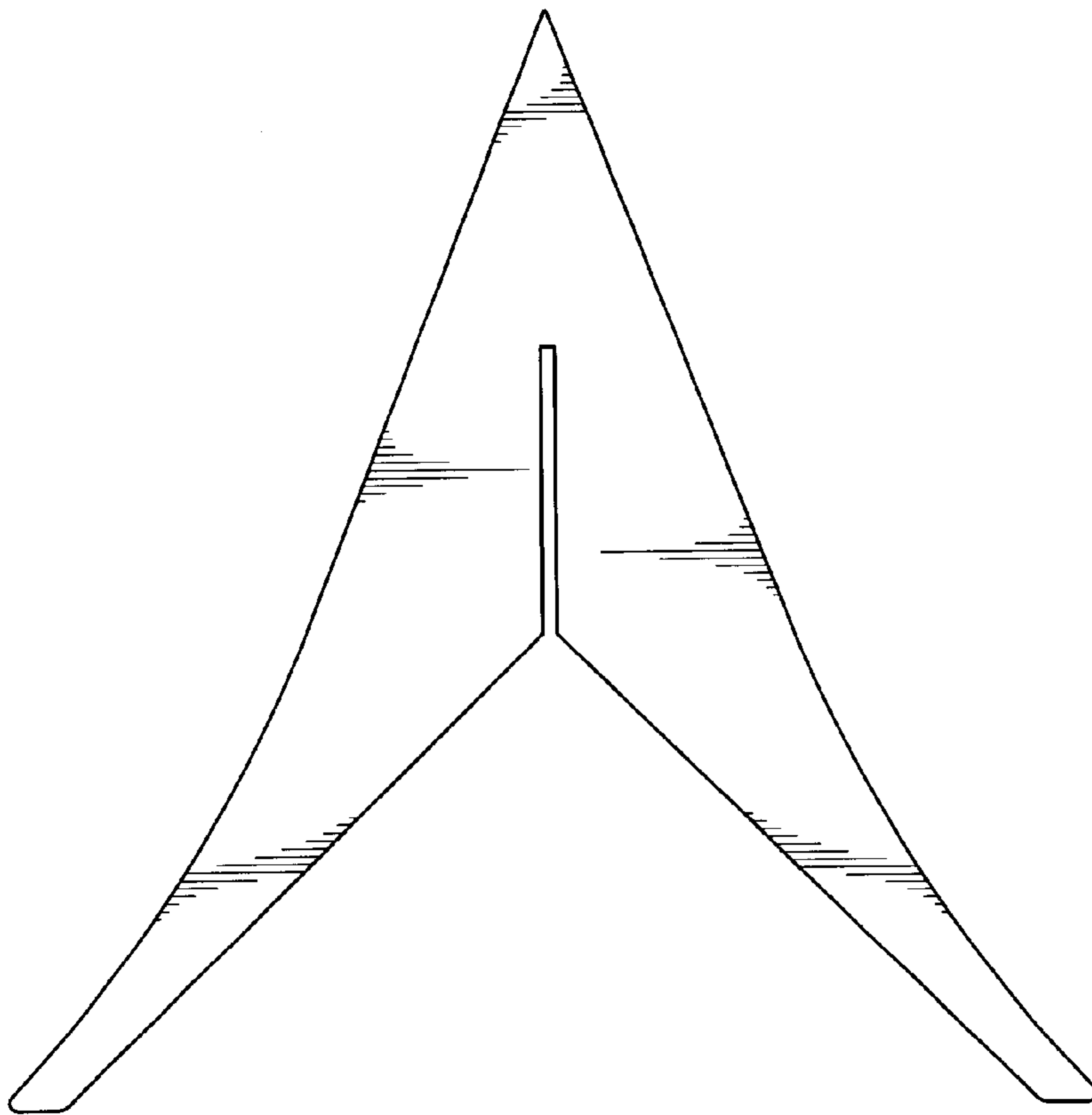


FIG. 9



FIG. 11



FIG. 12