

US00D527301S

(12) **United States Design Patent**
Shah

(10) **Patent No.:** **US D527,301 S**

(45) **Date of Patent:** **** Aug. 29, 2006**

(54) **RECTANGULAR-SHAPED GEMSTONE
ARRANGEMENT**

(76) Inventor: **Sanjay Shah**, 7/714 Prasad Chambers,
Opera House, Mumabai (IN), 400004

(**) Term: **14 Years**

(21) Appl. No.: **29/198,999**

(22) Filed: **Feb. 6, 2004**

(51) **LOC (8) Cl.** **11-01**

(52) **U.S. Cl.** **D11/90**

(58) **Field of Classification Search** D11/1-2,
D11/26-29, 89-92; 63/26-28, 32
See application file for complete search history.

(56) **References Cited**

U.S. PATENT DOCUMENTS

D459,675 S * 7/2002 Wolf D11/90
D463,316 S * 9/2002 Wolf D11/90

* cited by examiner

Primary Examiner—Ralf Seifert

(74) *Attorney, Agent, or Firm*—Levisohn, Berger &
Langsam, LLP

(57) **CLAIM**

The ornamental design for a rectangular-shaped gemstone arrangement, as shown and described.

DESCRIPTION

FIG. 1 is a front perspective view of a rectangular-shaped gemstone arrangement embodying my new design;

FIG. 2 is a top view thereof;

FIG. 3 is a bottom view thereof;

FIG. 4 is an end view thereof; the other end view being a mirror image thereof;

FIG. 5 is a side view thereof; the other side being a mirror image thereof;

FIG. 6 is a top view of one of the end gemstones of FIG. 1, and is shown separated for the ease of illustration;

FIG. 7 is a bottom view of FIG. 6;

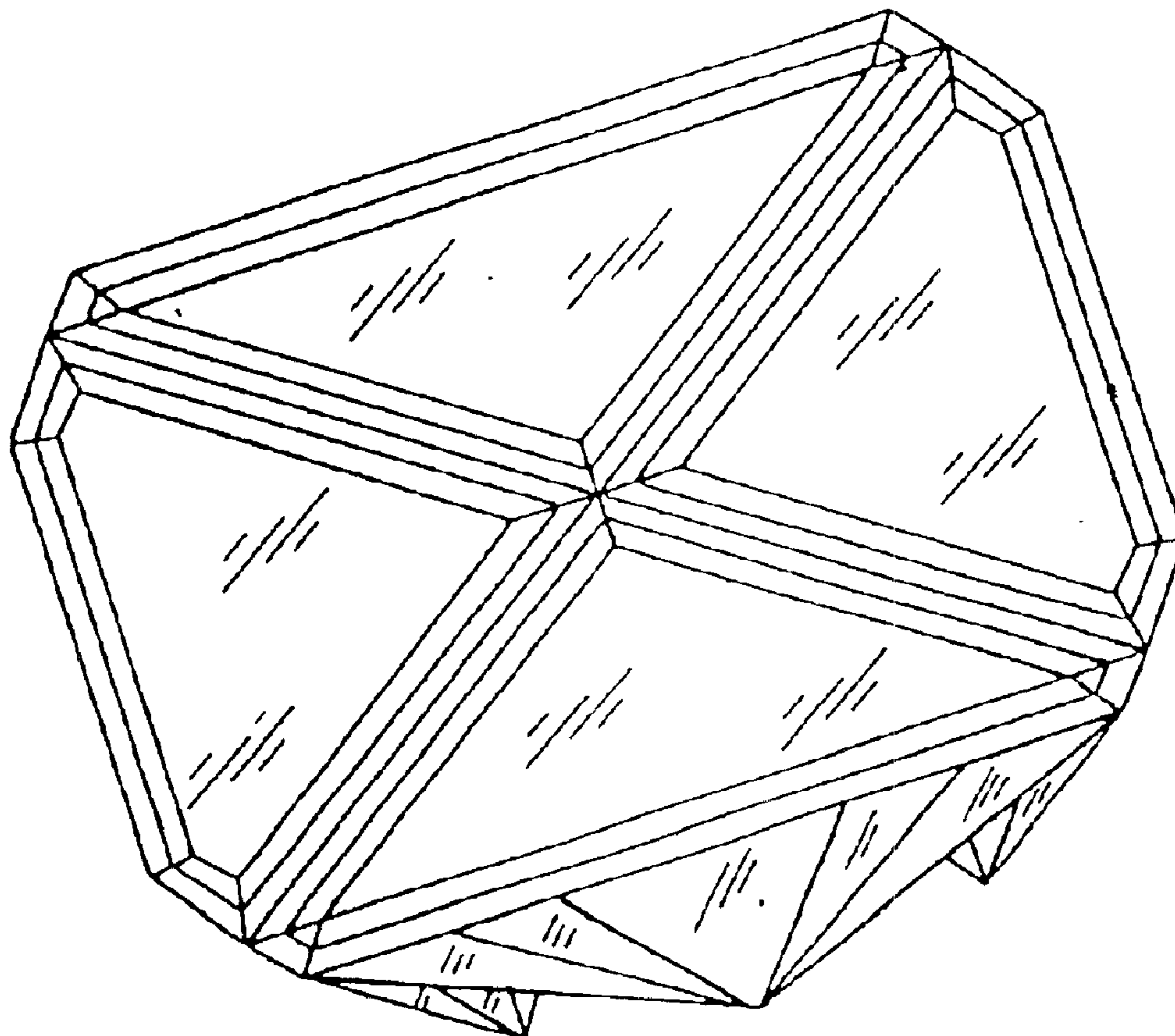
FIG. 8 is an end view of FIG. 6;

FIG. 9 is a top view of one of the side gemstones of FIG. 1, and is shown separated for the ease of illustration;

FIG. 10 is a bottom view of FIG. 9; and,

FIG. 11 is a side view of FIG. 9.

1 Claim, 5 Drawing Sheets



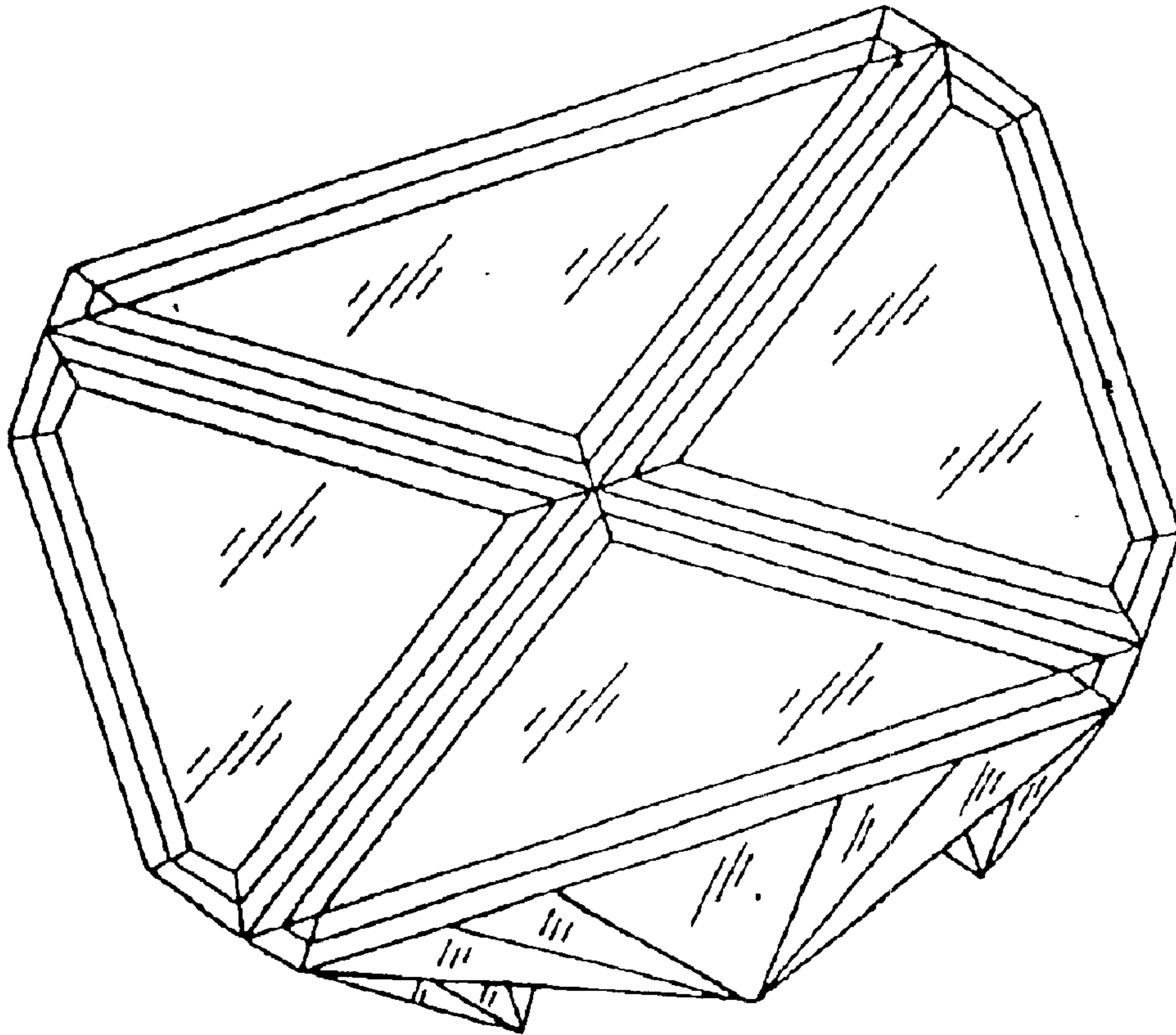


FIG. 1

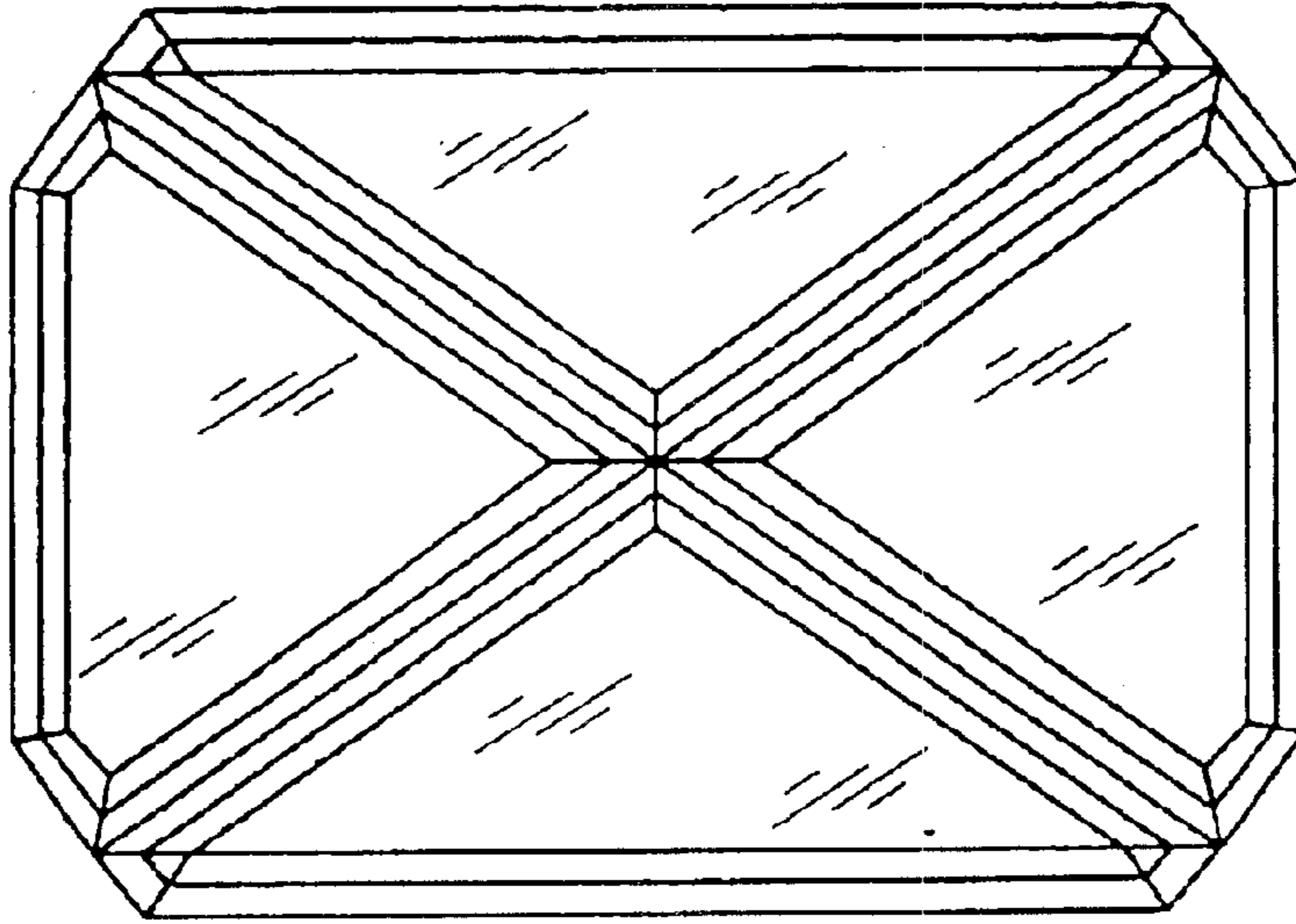


FIG. 2

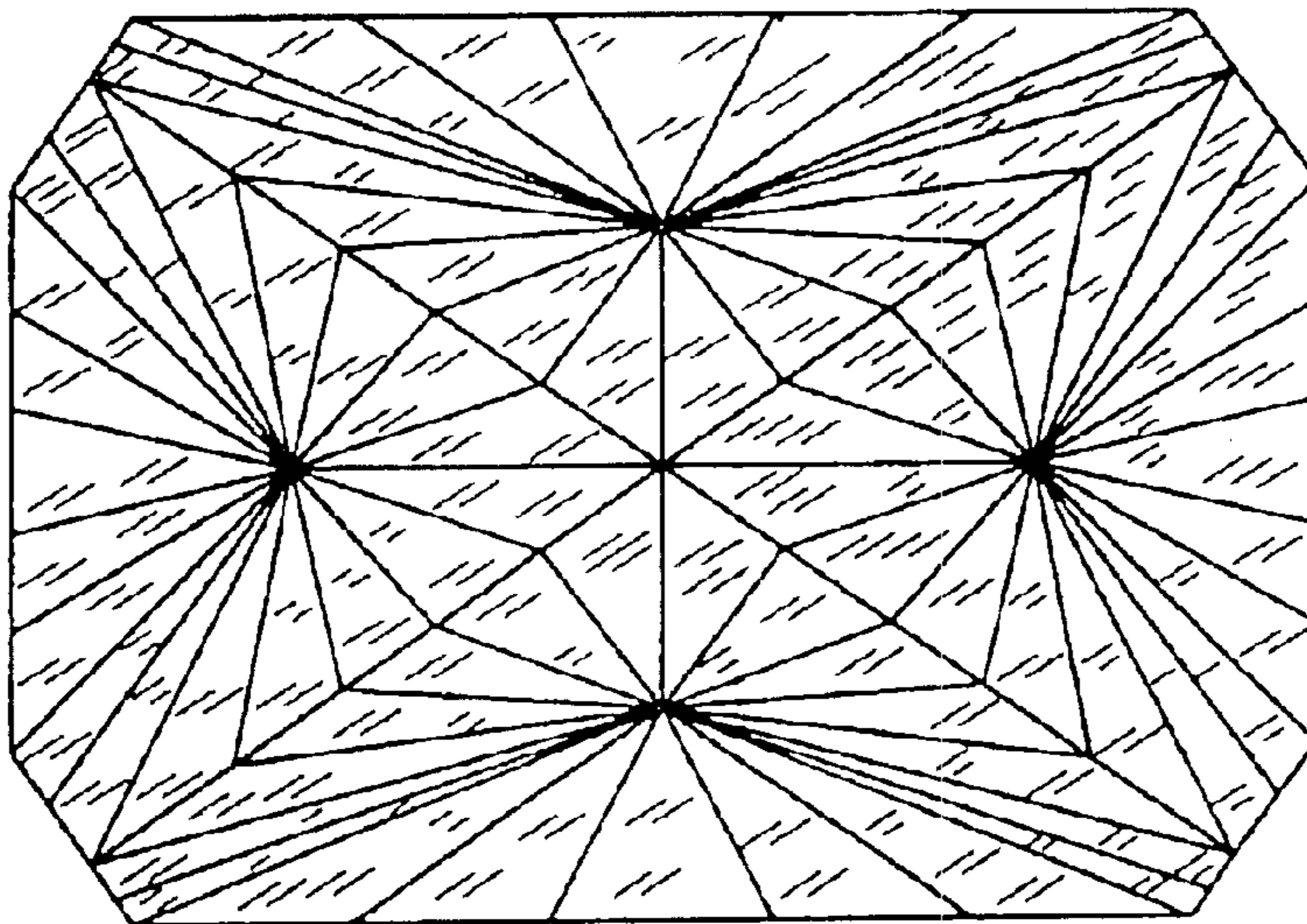


FIG. 3

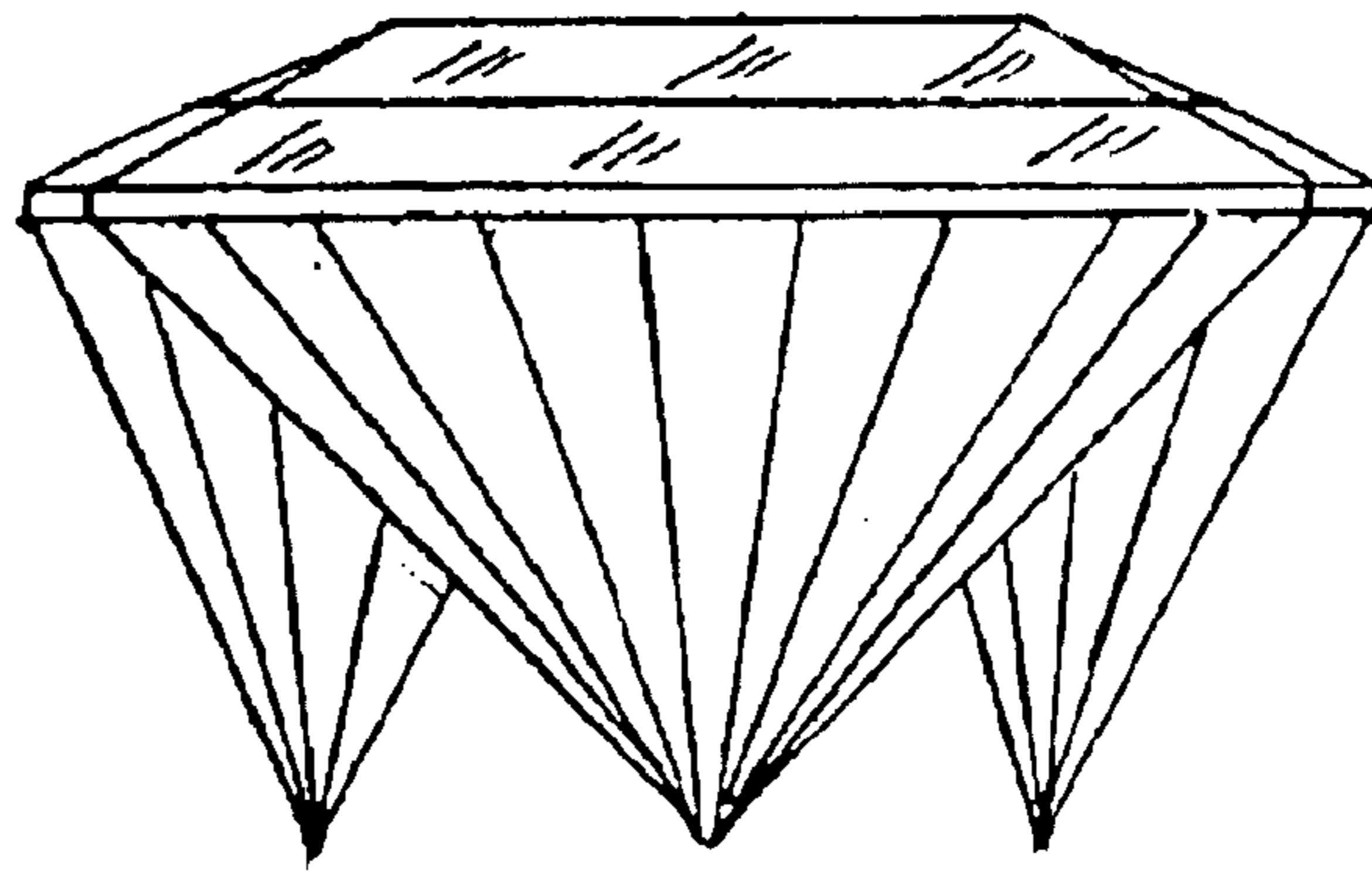


FIG. 4

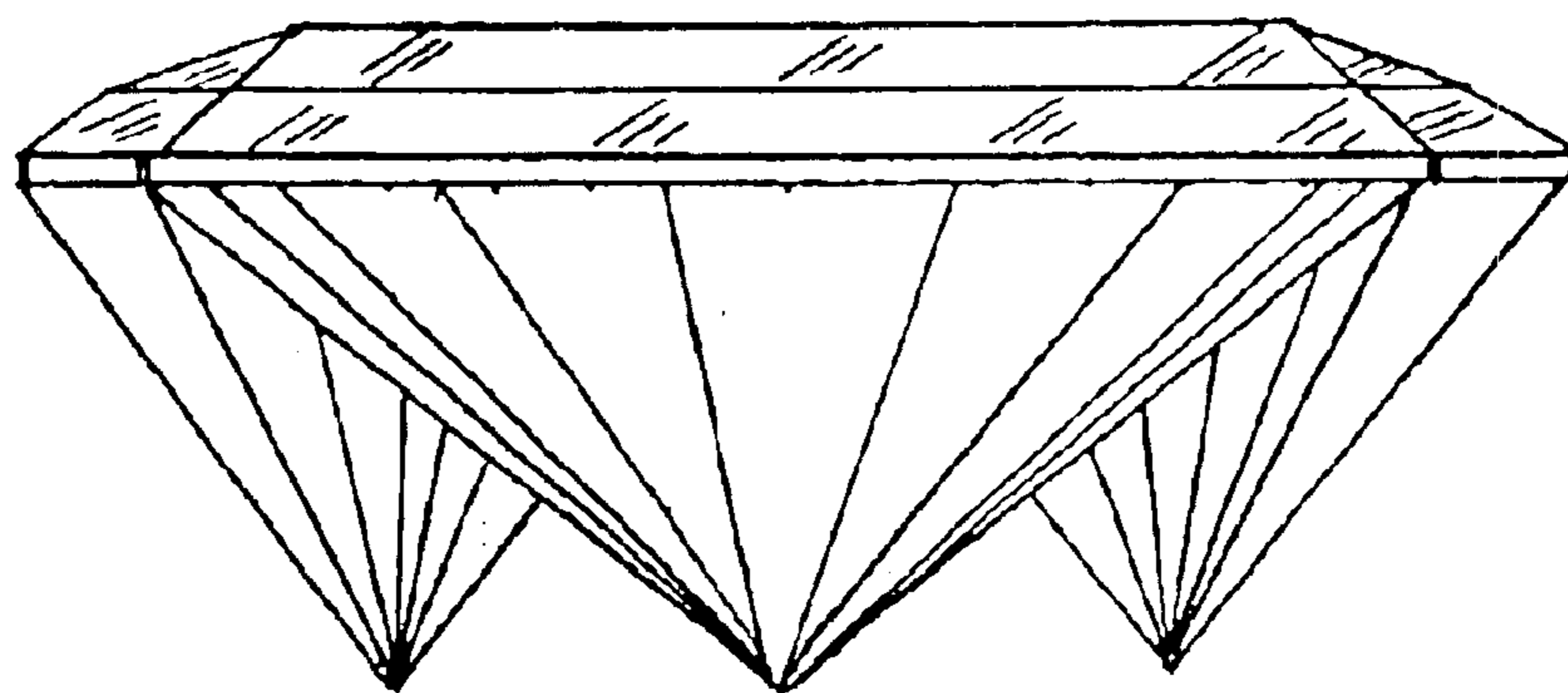


FIG. 5

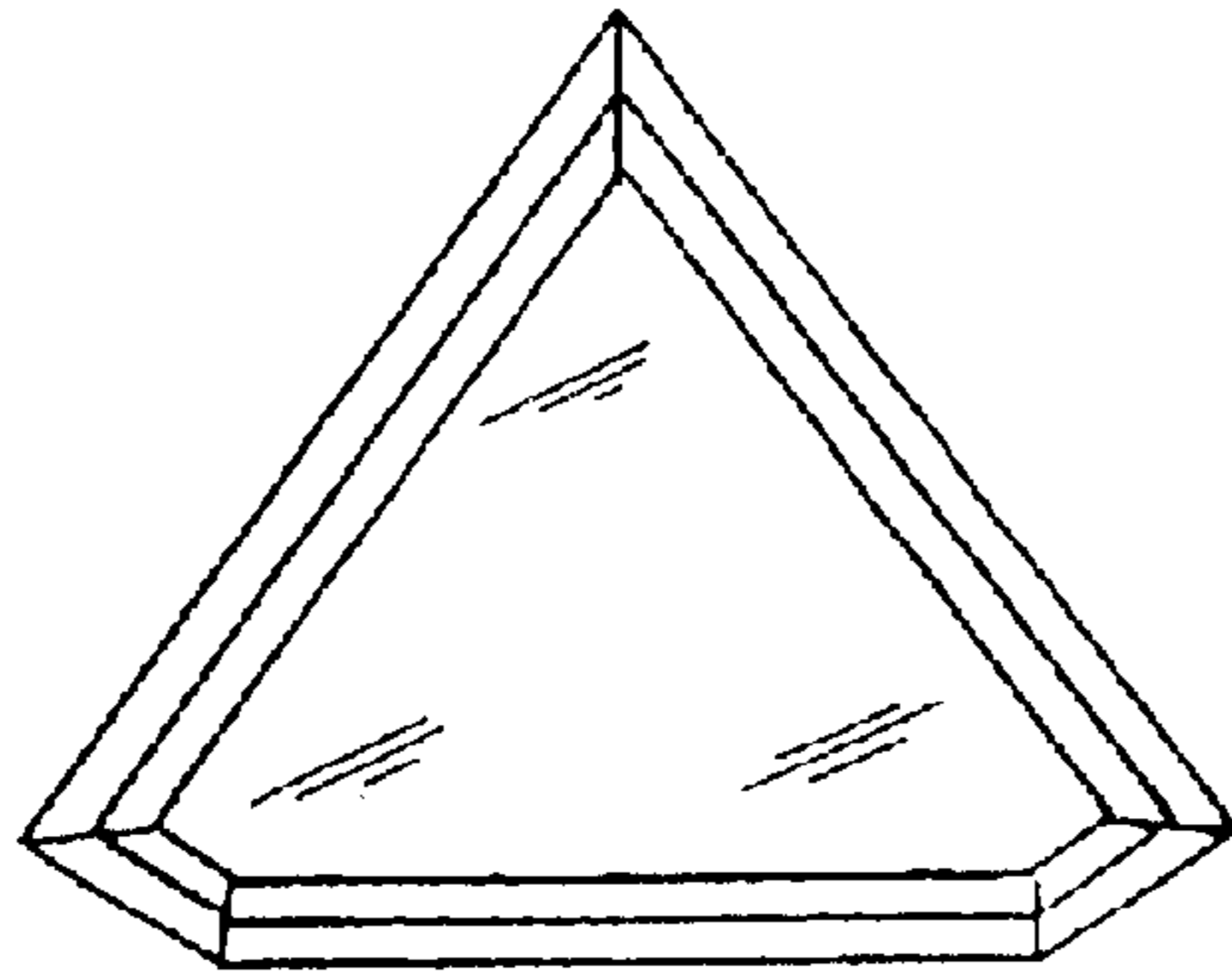


FIG. 6

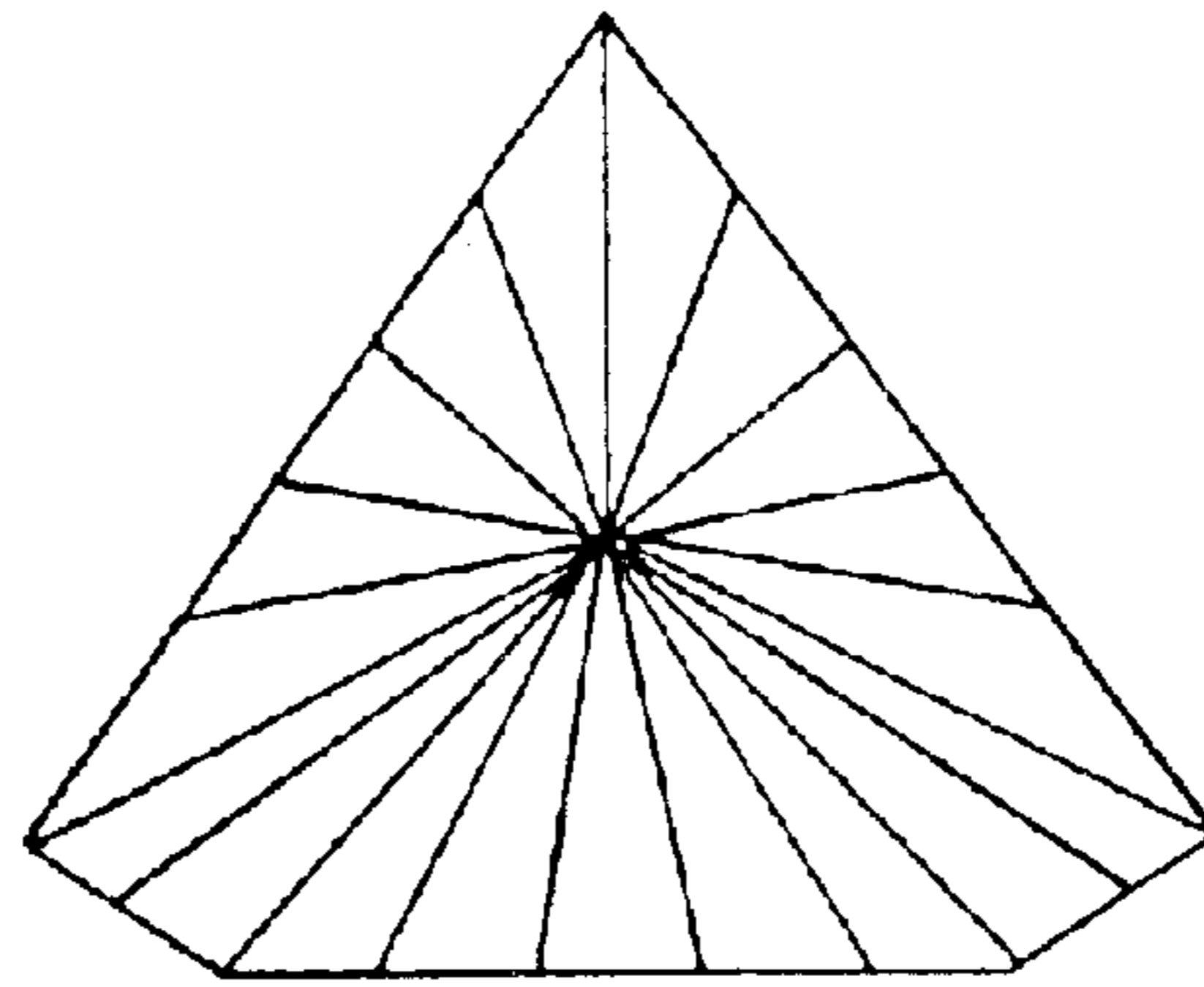


FIG. 7

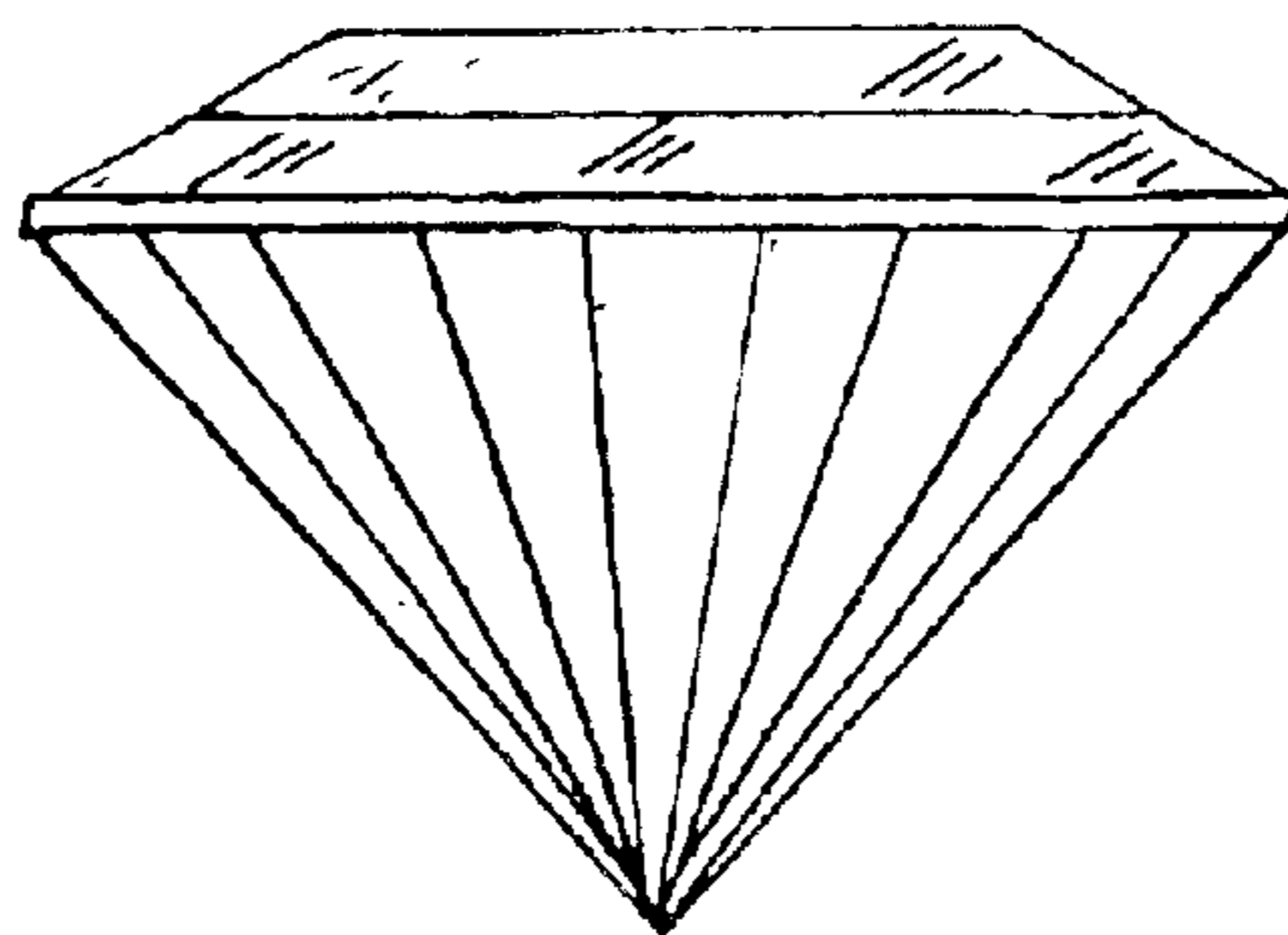


FIG. 8

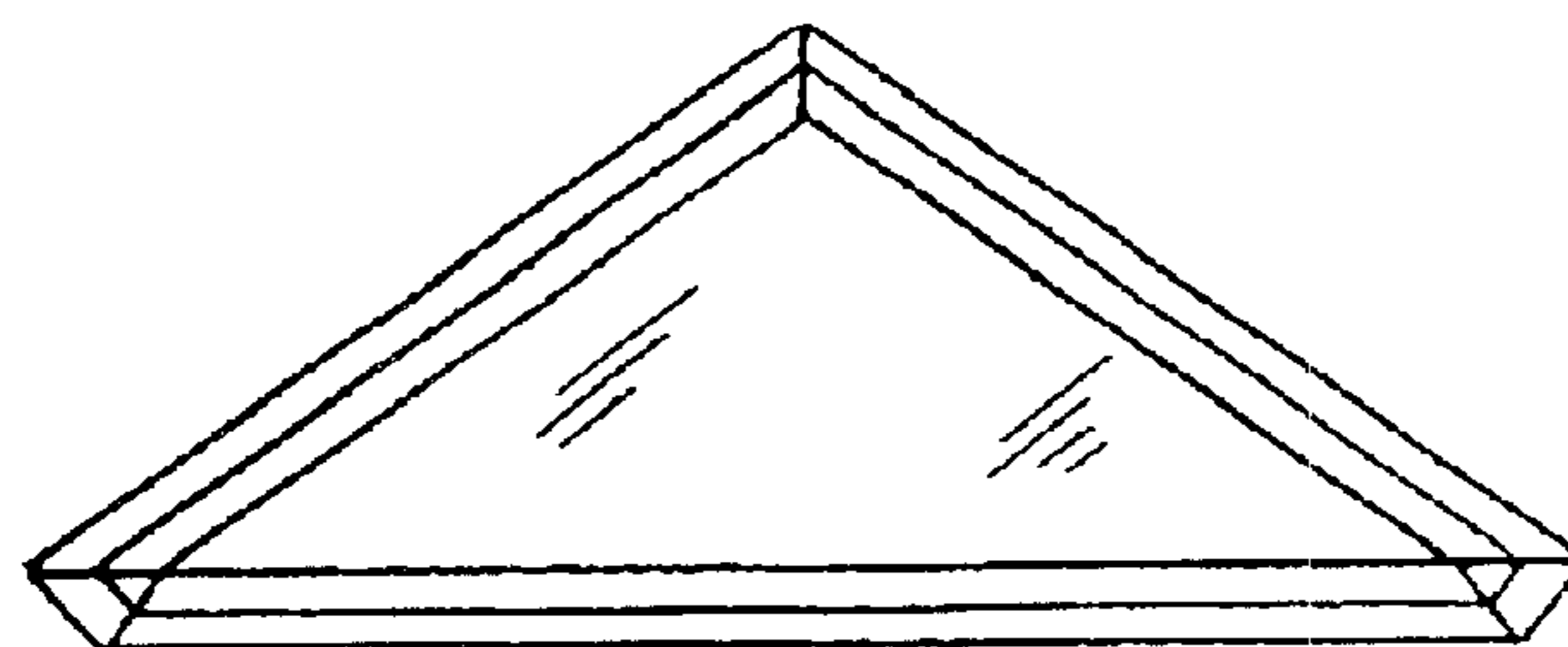


FIG. 9

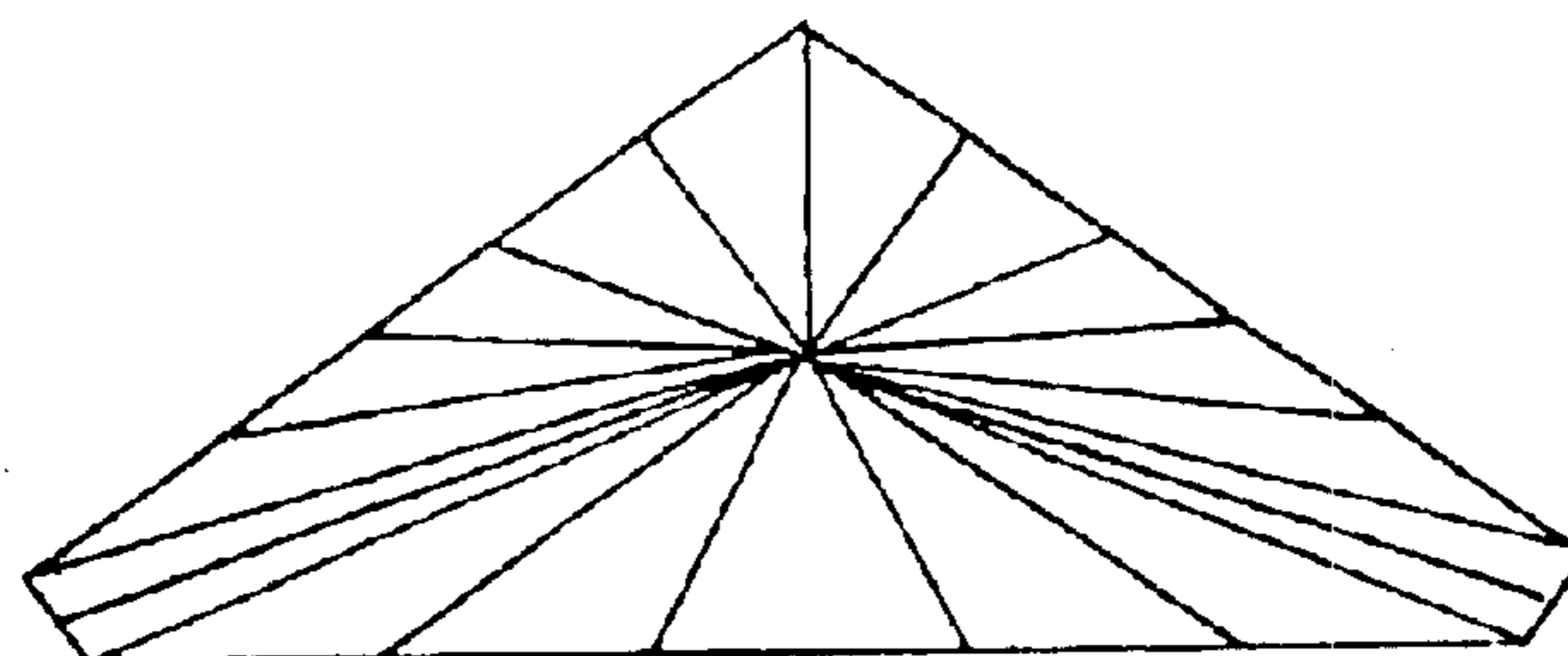


FIG. 10

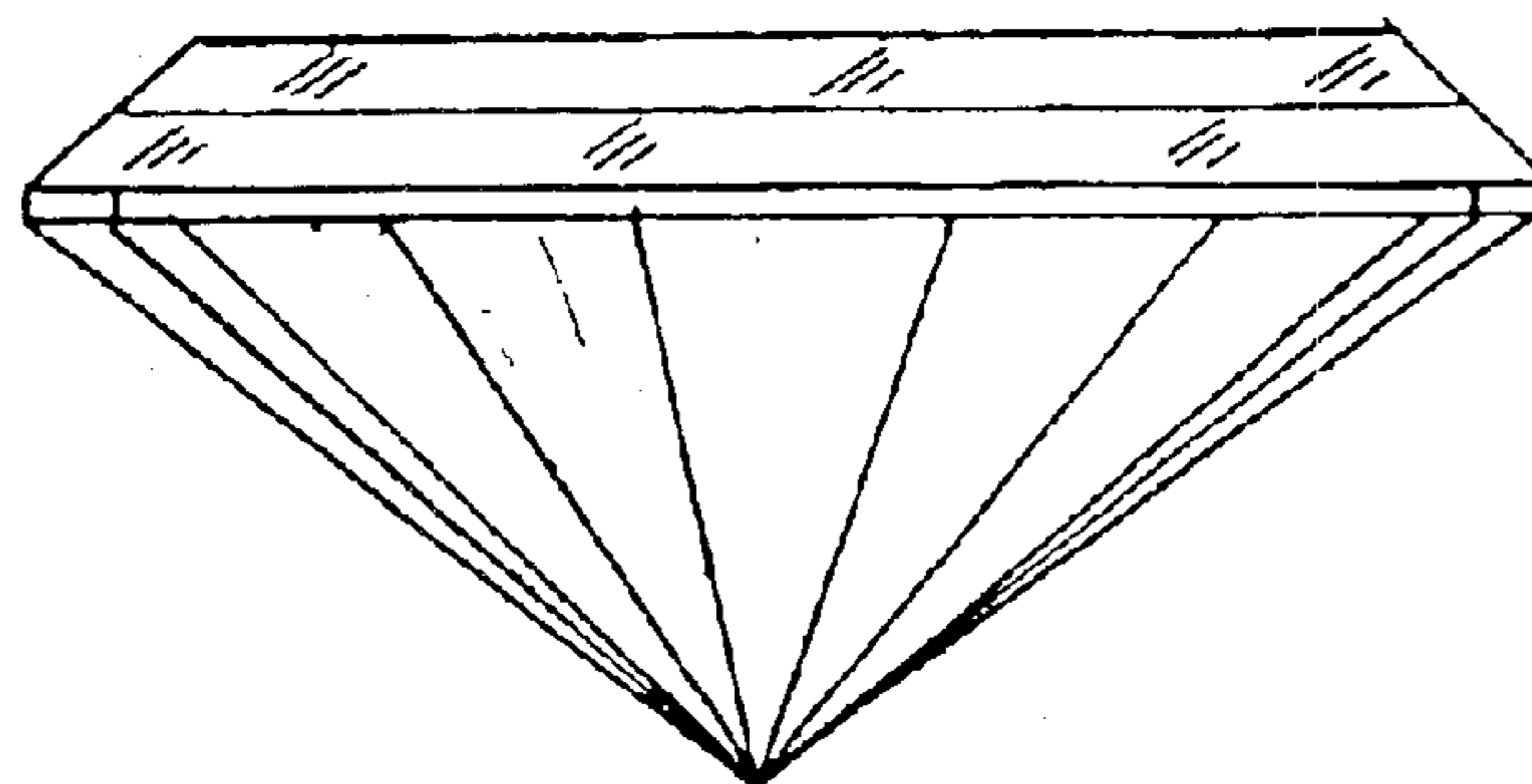


FIG. 11