



US00D527298S

(12) **United States Design Patent**  
**Chong**

(10) **Patent No.:** **US D527,298 S**

(45) **Date of Patent:** **\*\* Aug. 29, 2006**

(54) **TOOTHPICK JEWELRY**

(75) Inventor: **Gerald T. Chong**, Baton Rouge, LA  
(US)

(73) Assignee: **Ceptor Style, LLC**, Baton Rouge, LA  
(US)

(\*\*) Term: **14 Years**

(21) Appl. No.: **29/218,980**

(22) Filed: **Dec. 9, 2004**

(51) **LOC (8) Cl.** ..... **11-01**

(52) **U.S. Cl.** ..... **D11/2; 28/65**

(58) **Field of Classification Search** ..... D11/1,  
D11/2, 40-50, 53-79, 81, 86, 99; D28/65;  
132/321, 329; 63/1.12-1.13, 14.1-14.9, 20,  
63/22, 23

See application file for complete search history.

(56) **References Cited**

**U.S. PATENT DOCUMENTS**

272,985 A *	2/1883	Stone	.....	63/1.12
450,618 A *	4/1891	Hogg	.....	29/10
634,567 A *	10/1899	Hogg	.....	63/26
837,615 A *	12/1906	Dover	.....	63/26
D58,875 S *	9/1921	Bross	.....	D11/36
1,596,726 A *	8/1926	Ford	.....	63/20
1,670,385 A *	5/1928	Shawcross	.....	63/20
D145,603 S *	9/1946	Millard	.....	D28/65

2,626,855 A *	1/1953	Hand	.....	436/20
D189,332 S *	11/1960	Silver et al.	.....	D7/684
D358,682 S *	5/1995	Johnson	.....	D28/65
D369,312 S *	4/1996	Saladino	.....	D11/47
D370,743 S *	6/1996	Huie	.....	D28/65
D392,420 S *	3/1998	Ram	.....	D28/65
5,927,299 A *	7/1999	Rappoport	.....	132/321
D453,587 S *	2/2002	Banuelos	.....	D28/65
D486,415 S	2/2004	Curtis		
D507,380 S *	7/2005	Le	.....	D28/65

\* cited by examiner

*Primary Examiner*—Doris Clark

*Assistant Examiner*—Michael Pratt

(74) *Attorney, Agent, or Firm*—Roy, Kiessel, Keegan &  
DeNicola; Neil J. Coig

(57) **CLAIM**

The ornamental design for toothpick jewelry, as shown and described.

**DESCRIPTION**

FIG. 1 is a perspective view of toothpick jewelry showing my new design;

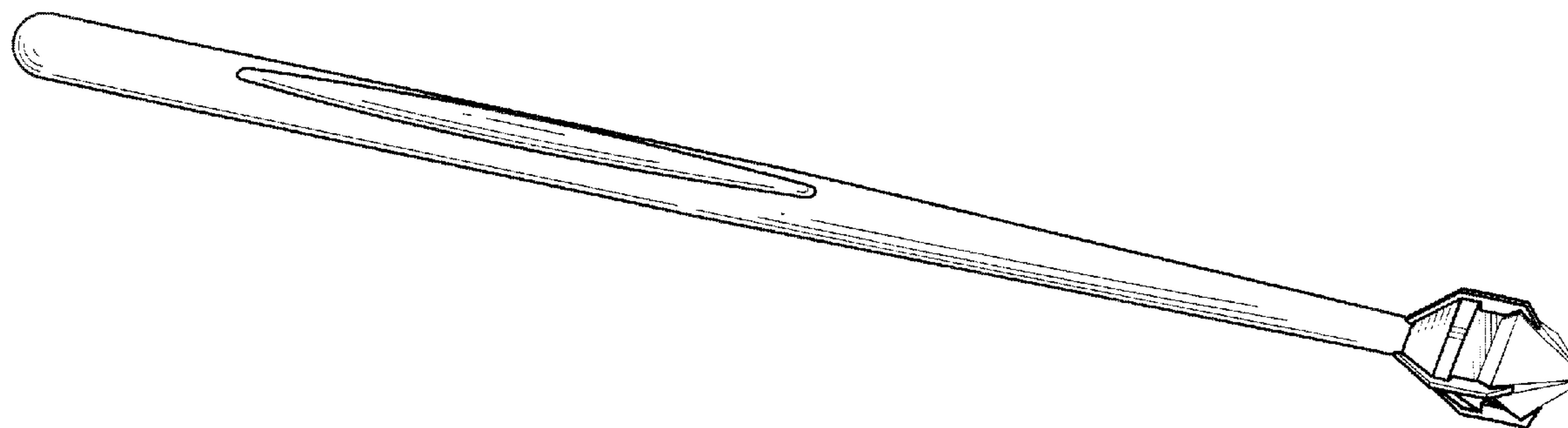
FIG. 2 is a front elevation view thereof; the opposite side a mirror image,

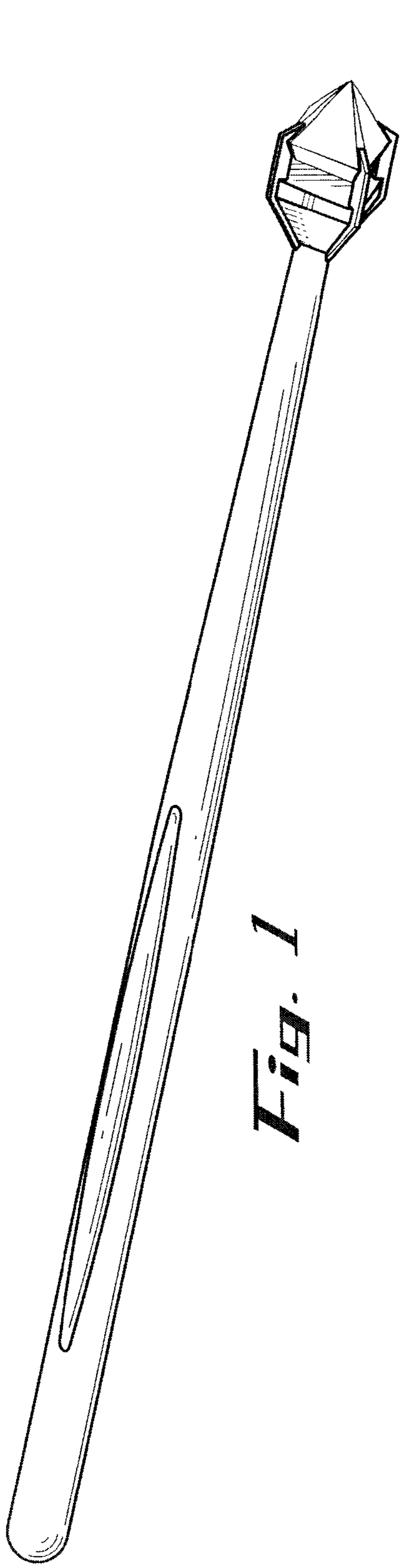
FIG. 3 is a left side elevation view thereof; the opposite side a mirror image,

FIG. 4 is a bottom plan view thereof; and,

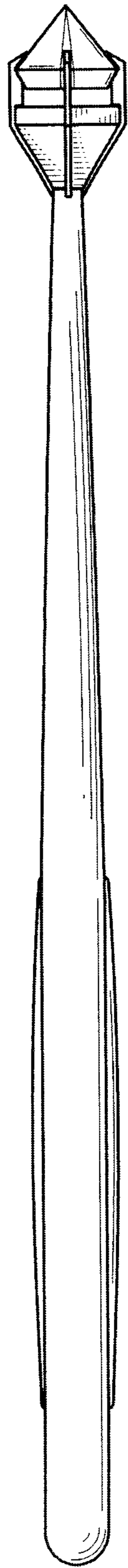
FIG. 5 is a top plan view thereof.

**1 Claim, 1 Drawing Sheet**

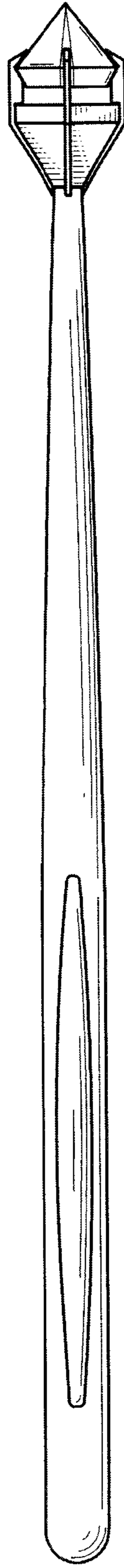




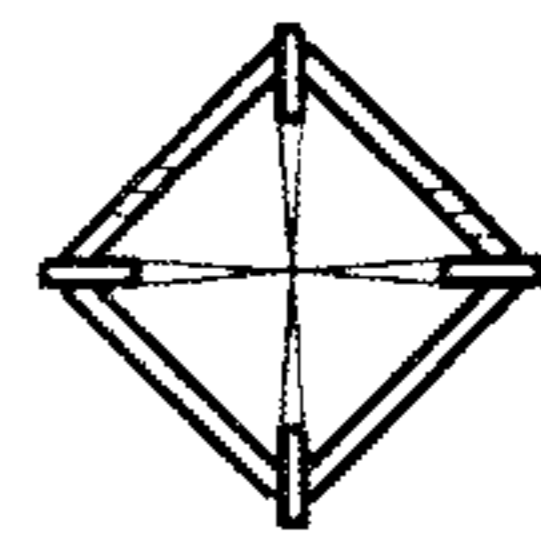
*Fig. 1*



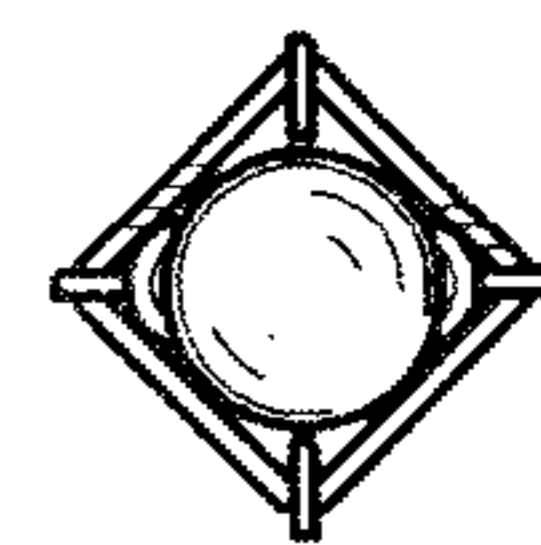
*Fig. 2*



*Fig. 3*



*Fig. 4*



*Fig. 5*