



US00D527295S

(12) **United States Design Patent**
Houpe

(10) **Patent No.:** **US D527,295 S**

(45) **Date of Patent:** **** Aug. 29, 2006**

(54) **METER SAFETY SHIELD**

(75) Inventor: **G. Brent Houpe**, Salisbury, NC (US)

(73) Assignee: **Gordon Brent Houpe**, Salisbury, NC (US)

(**) Term: **14 Years**

(21) Appl. No.: **29/225,474**

(22) Filed: **Mar. 17, 2005**

(51) **LOC (8) Cl.** **10-04**

(52) **U.S. Cl.** **D10/103; D10/100**

(58) **Field of Classification Search** D10/99,
D10/100, 103; 73/861.78, 861.79, 861.94;
235/94 R; 340/870.02; 361/1, 659; 377/55;
439/146, 148, 490, 517, 638

See application file for complete search history.

(56) **References Cited**

U.S. PATENT DOCUMENTS

4,505,530 A * 3/1985 Fennel 439/148

D287,703 S * 1/1987 Kobos D10/103

D378,806 S * 4/1997 Phelps, III D10/103

D397,306 S * 8/1998 Ross, Jr. D10/103

D402,907 S * 12/1998 Ruff D10/103

D447,964 S * 9/2001 Kompa D10/103

D458,172 S * 6/2002 Salbashian, Sr. D10/99

* cited by examiner

Primary Examiner—Antoine D. Davis

(57) **CLAIM**

The ornamental design for a meter safety shield, as shown.

DESCRIPTION

FIG. 1 is a front elevational view thereof;

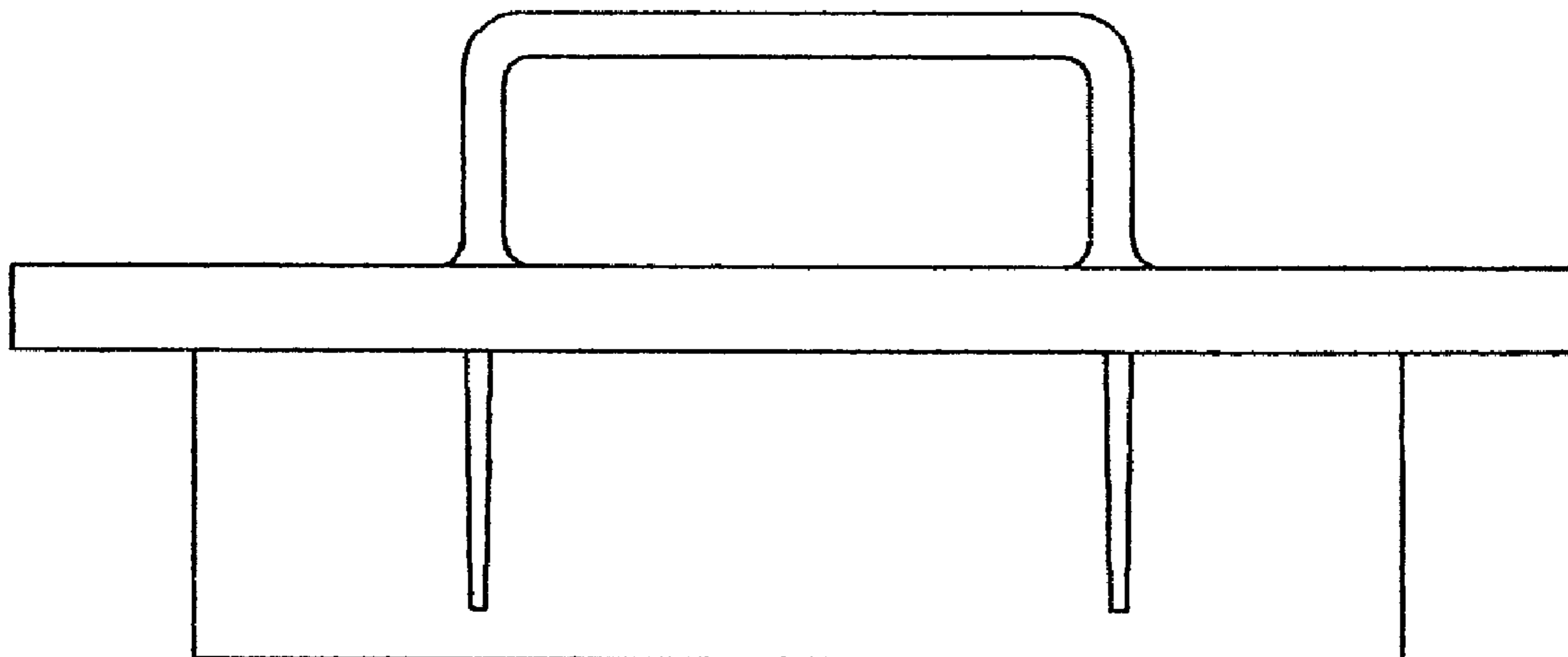
FIG. 2 is a top plane view thereof;

FIG. 3. is a bottom view thereof;

FIG. 4 is a right side elevational view thereof; and,

FIG. 5 is a left side elevational view thereof.

1 Claim, 2 Drawing Sheets



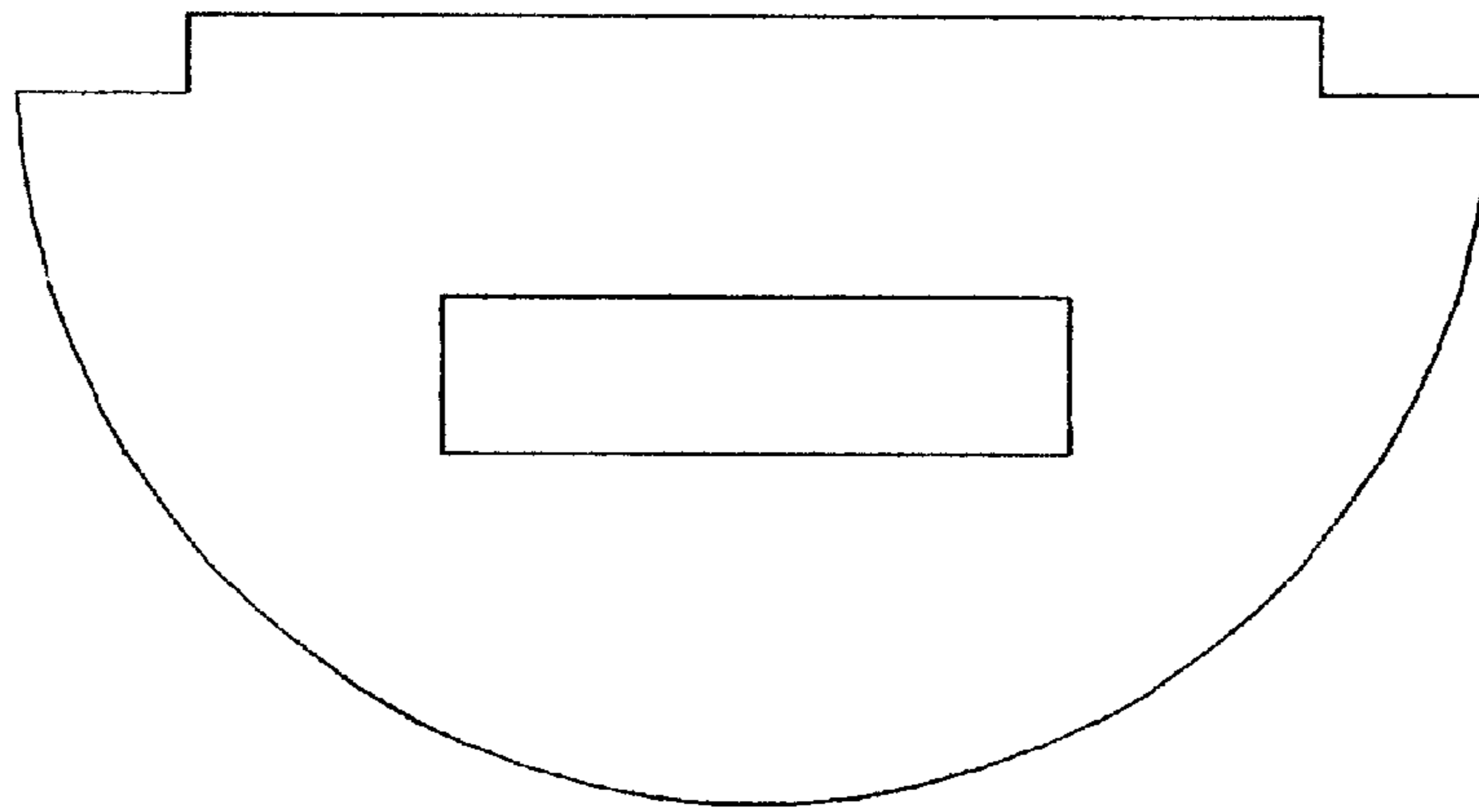


FIG. 2

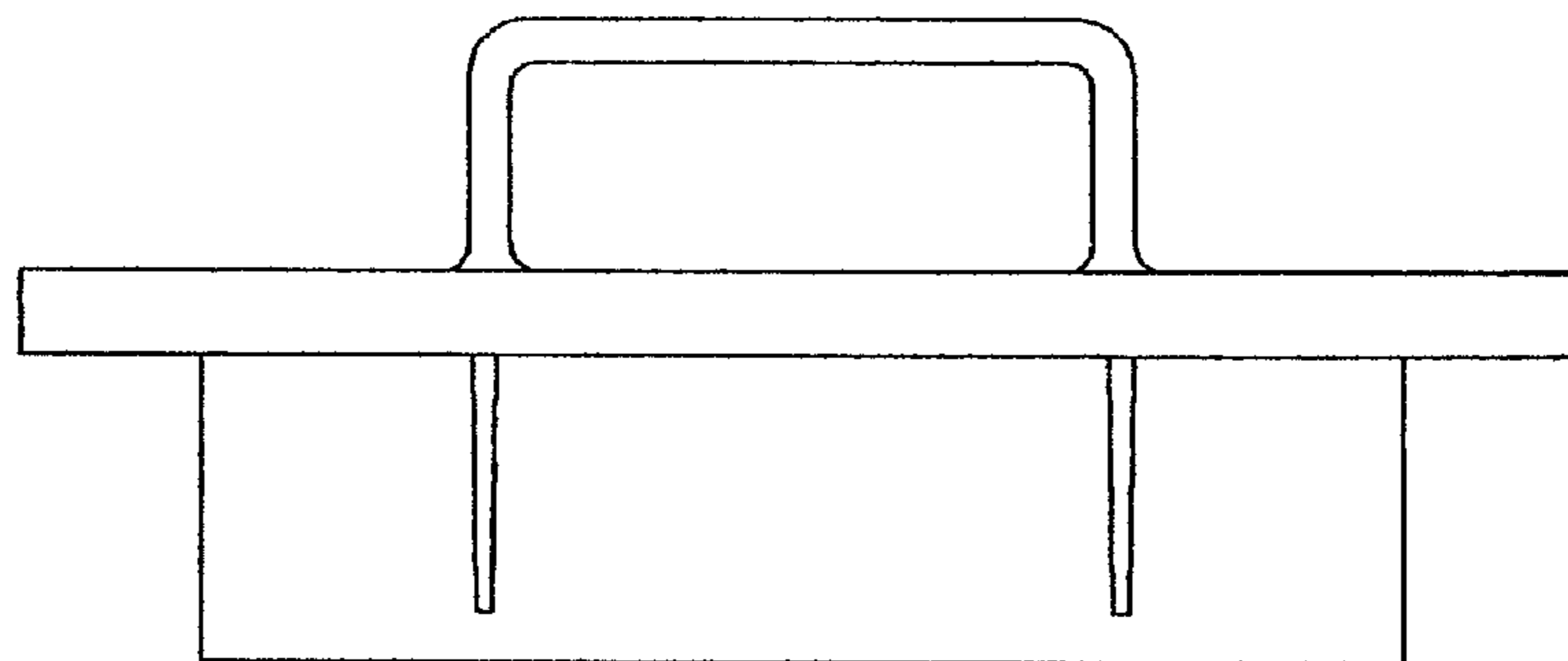


FIG. 1

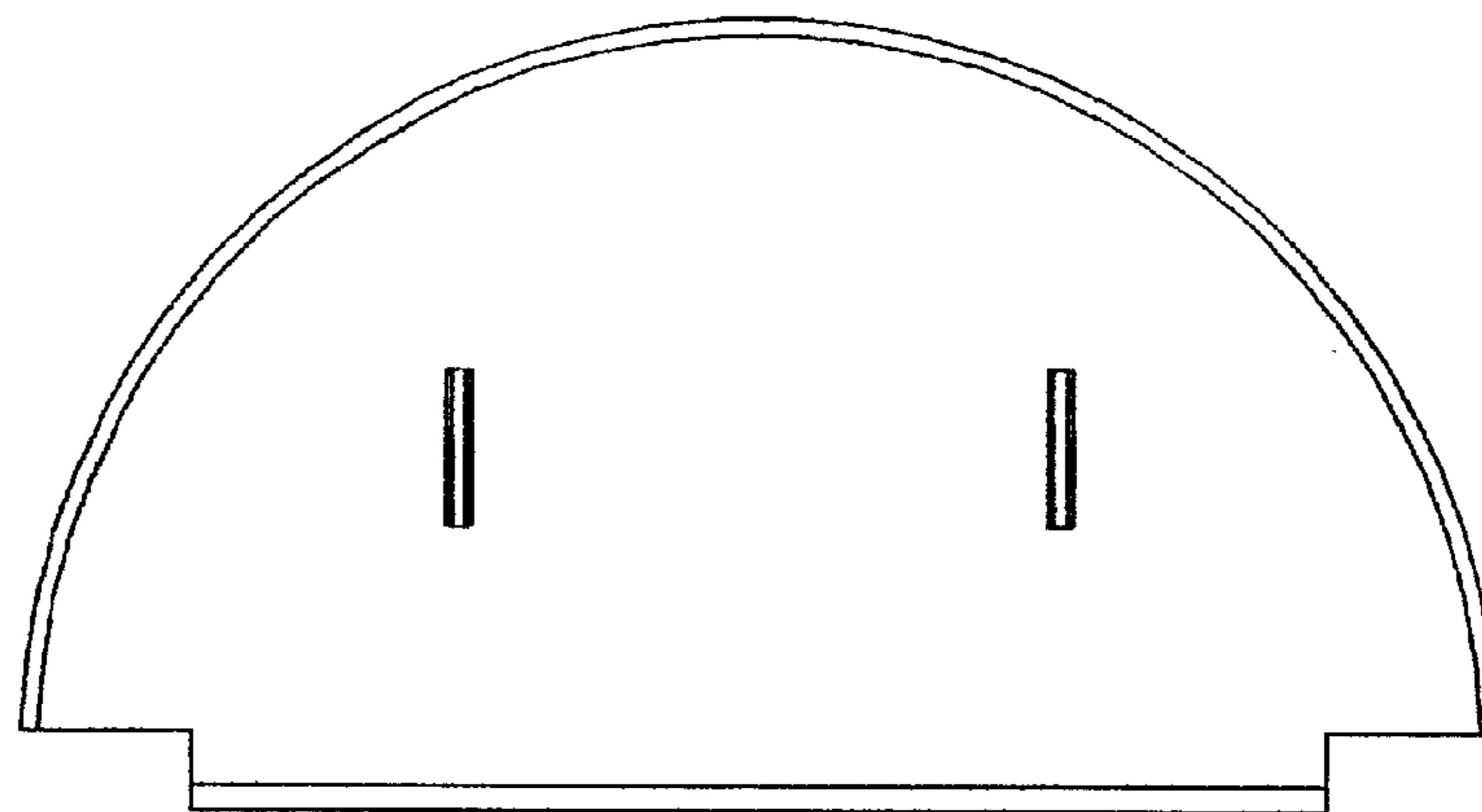


FIG. 3

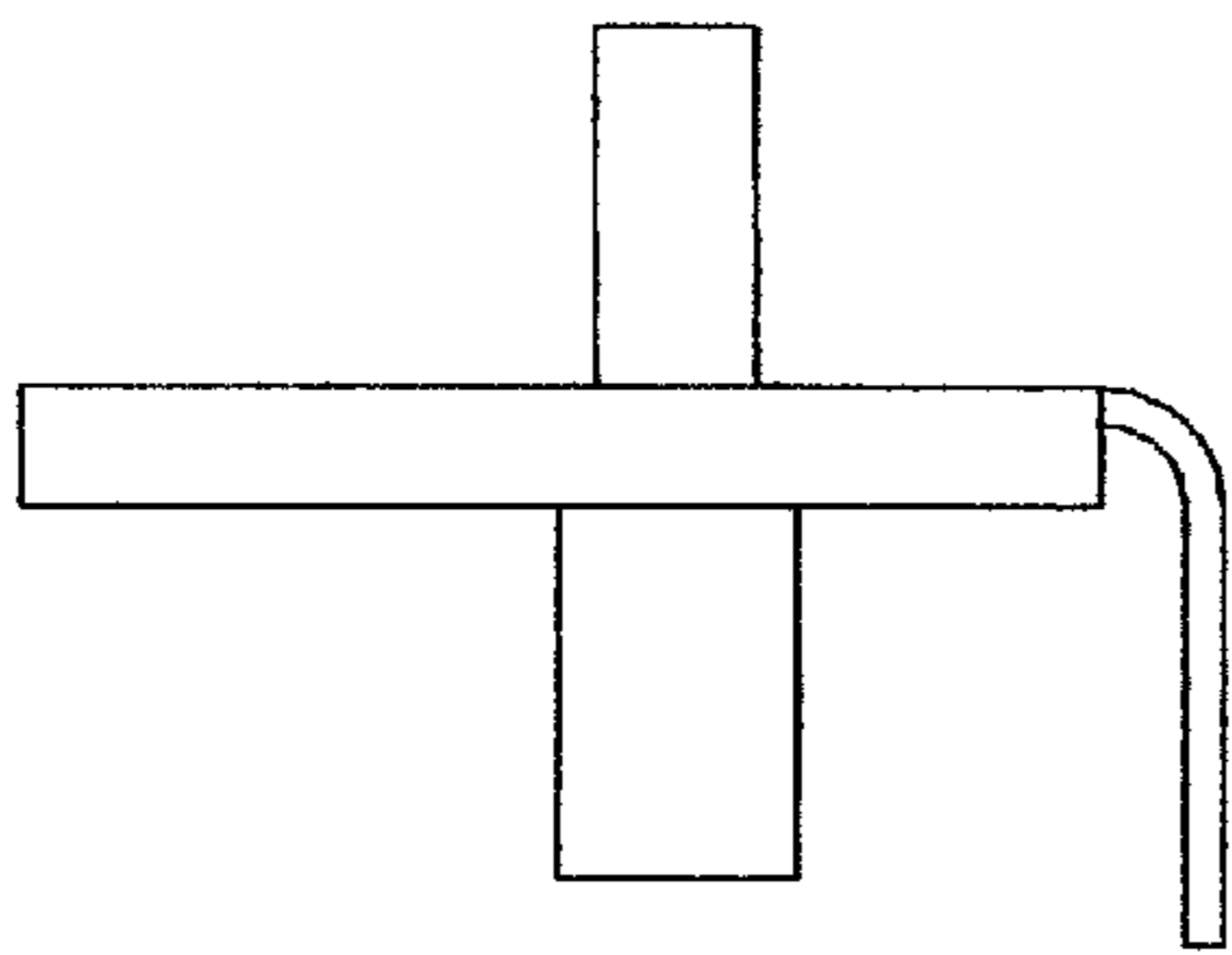


FIG. 4

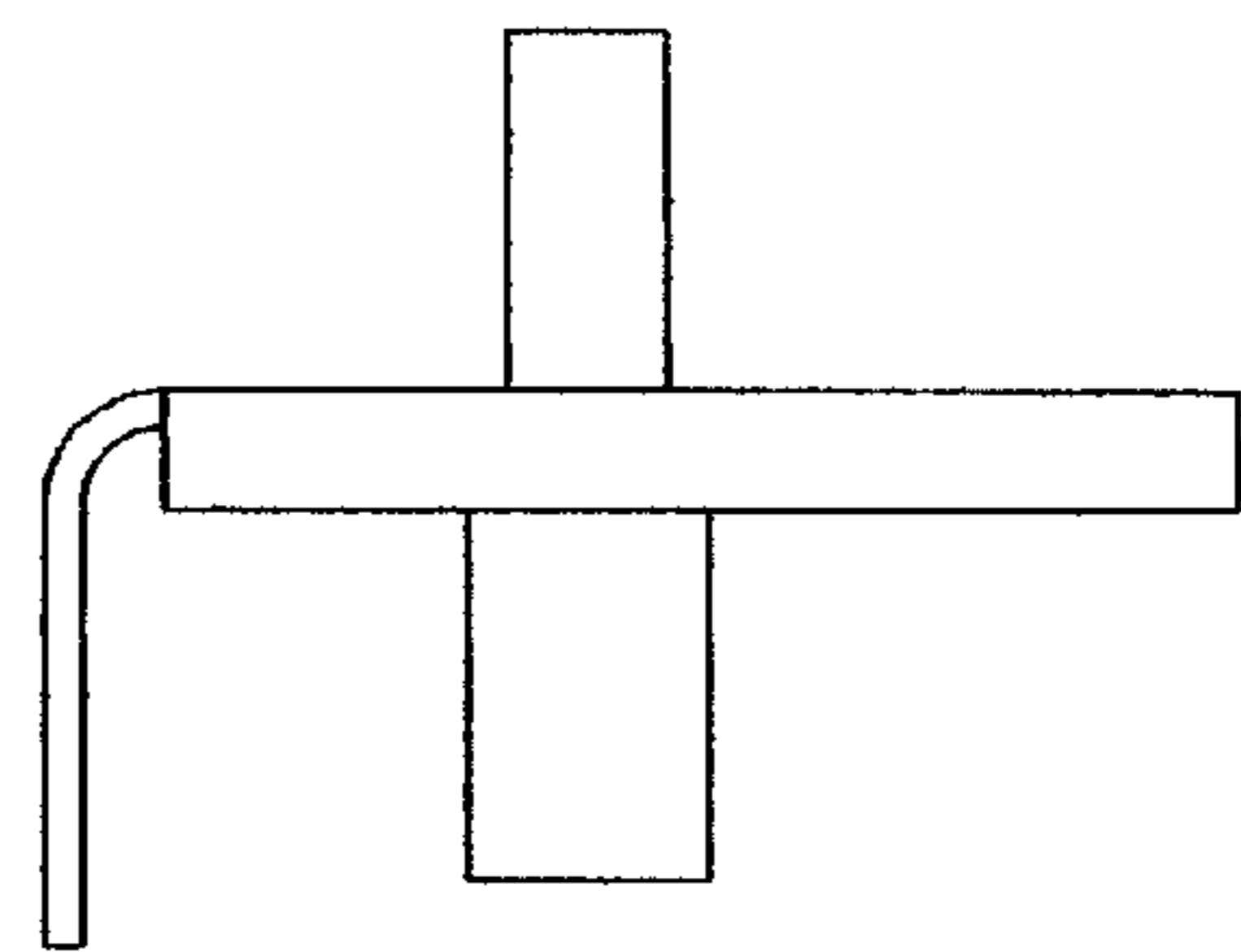


FIG. 5