



US00D527294S

(12) **United States Design Patent** (10) **Patent No.:** **US D527,294 S**  
**Lu** (45) **Date of Patent:** **\*\* Aug. 29, 2006**

(54) **LASER LEVELING DEVICE**

(75) Inventor: **Jianhong Lu**, Chanzhou (CN)

(73) Assignee: **Johnson Level & Tool Mfg. Co., Inc.**,  
Mequon, WI (US)

(\*\*) Term: **14 Years**

(21) Appl. No.: **29/224,967**

(22) Filed: **Mar. 9, 2005**

(51) **LOC (8) Cl.** ..... **10-04**

(52) **U.S. Cl.** ..... **D10/69**

(58) **Field of Classification Search** ..... D10/69;  
33/365, 366.11-366.27, 367-391

See application file for complete search history.

(56) **References Cited**

**U.S. PATENT DOCUMENTS**

D412,857 S	8/1999	Howard et al.	
D415,436 S	10/1999	Martone	
D498,151 S	11/2004	Cook	
D508,214 S *	8/2005	Budrow et al.	D10/69
D508,424 S *	8/2005	Liu	D10/69
D510,039 S *	9/2005	Budrow et al.	D10/69
6,941,665 B1 *	9/2005	Budrow et al.	33/286

\* cited by examiner

*Primary Examiner*—Antoine D. Davis

(74) *Attorney, Agent, or Firm*—Boyle, Fredrickson,  
Newholm, Stein & Gratz, S.C.

(57) **CLAIM**

The ornamental design of a laser leveling device, as shown  
and described.

**DESCRIPTION**

FIG. 1 is an isometric view of a laser leveling device  
incorporating my new design;

FIG. 2 is an opposite isometric view of the laser leveling  
device of FIG. 1;

FIG. 3 is a top plan view thereof;

FIG. 4 is an end elevation view thereof;

FIG. 5 is an opposite end elevation view thereof;

FIG. 6 is a bottom plan view thereof;

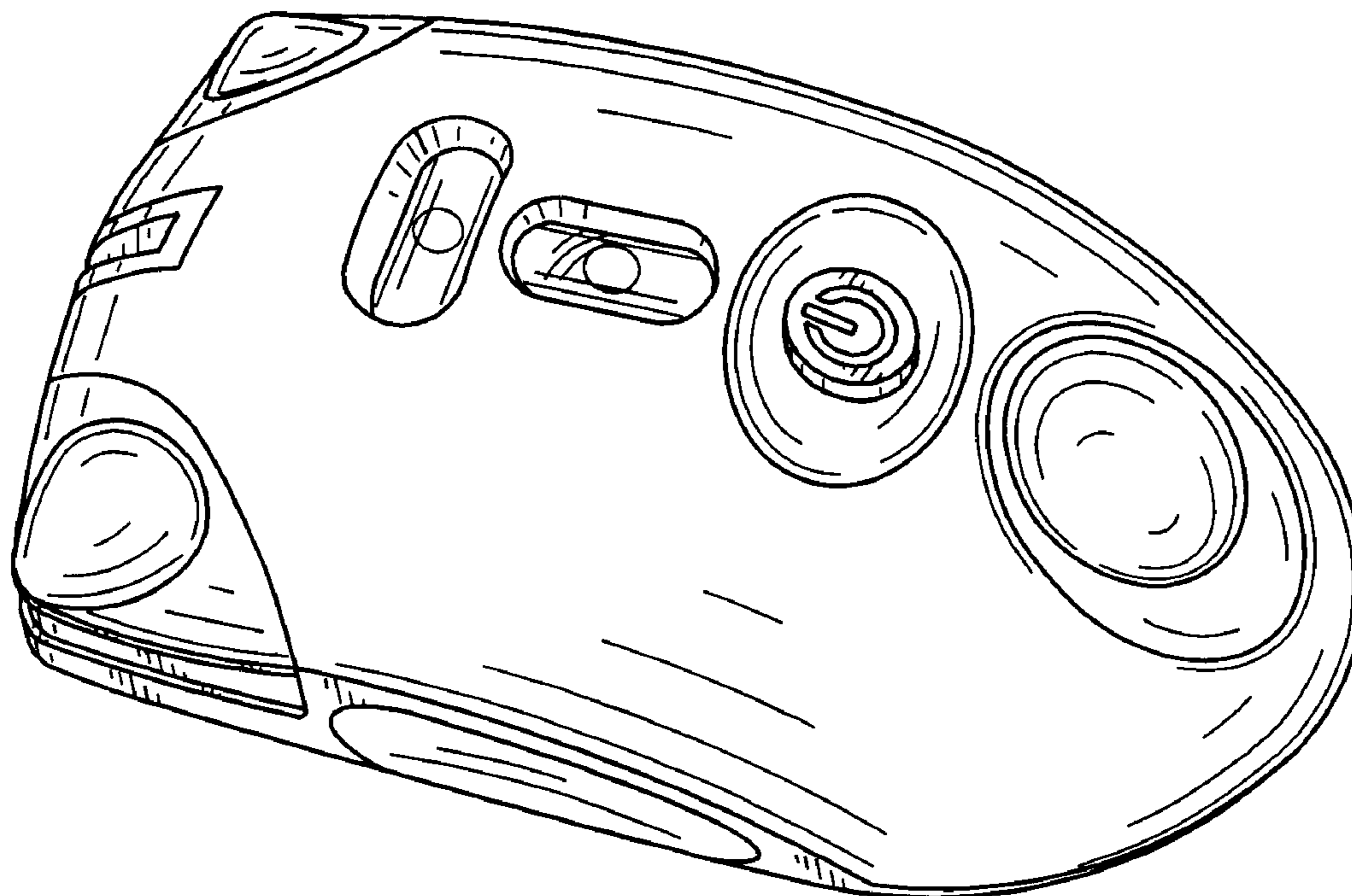
FIG. 7 is a top plan view thereof, wherein portions are  
illustrated in phantom and form no part of the claimed  
design;

FIG. 8 is an end elevation view thereof, wherein the portions  
illustrated in phantom form no part of the claimed design;

FIG. 9 is an opposite end elevation view thereof, wherein the  
portions illustrated in phantom form no part of the claimed  
designs; and,

FIG. 10 is a bottom plan view thereof, wherein the portions  
illustrated in phantom form no part of the claimed design.

**1 Claim, 5 Drawing Sheets**



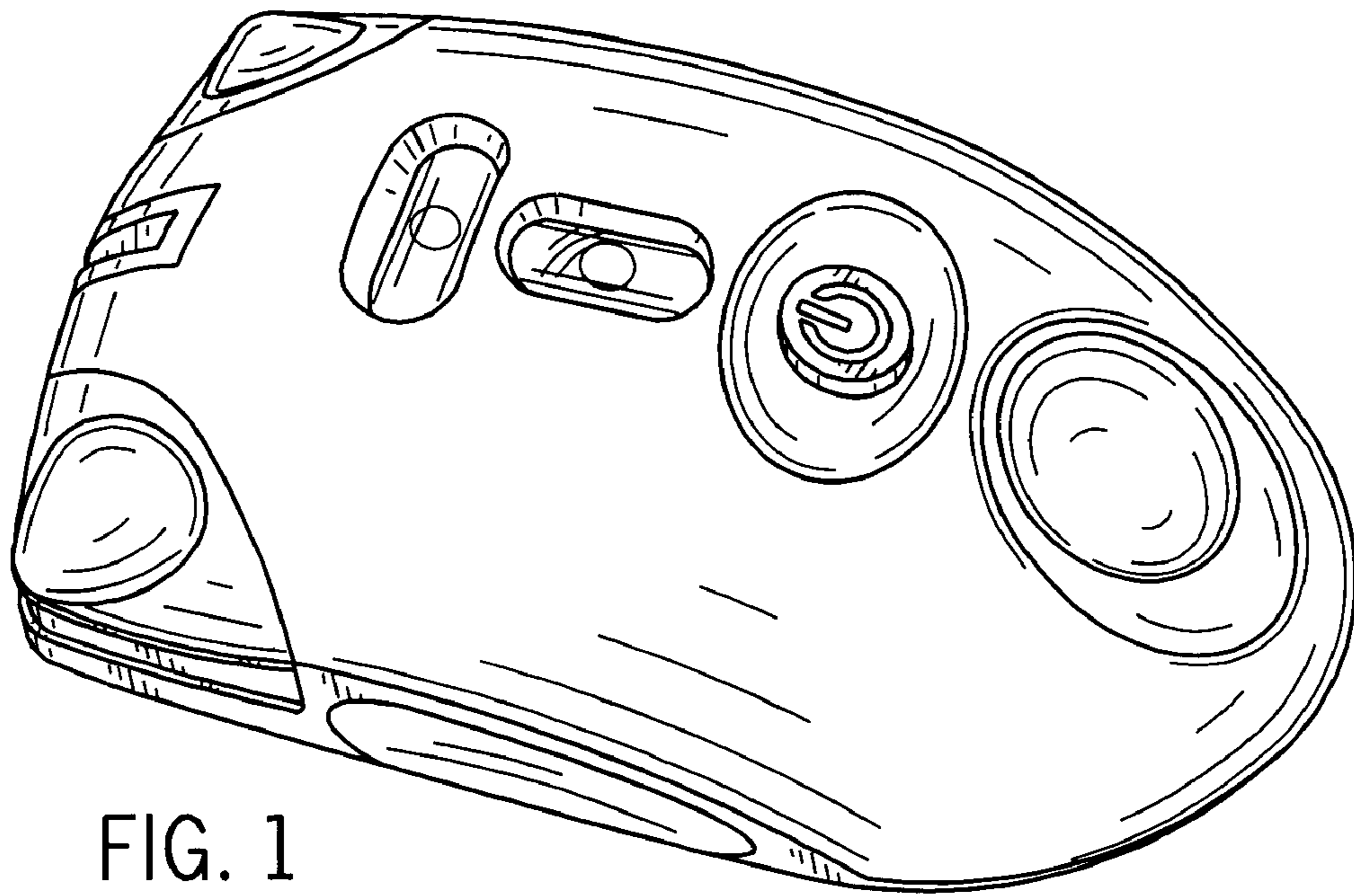


FIG. 1

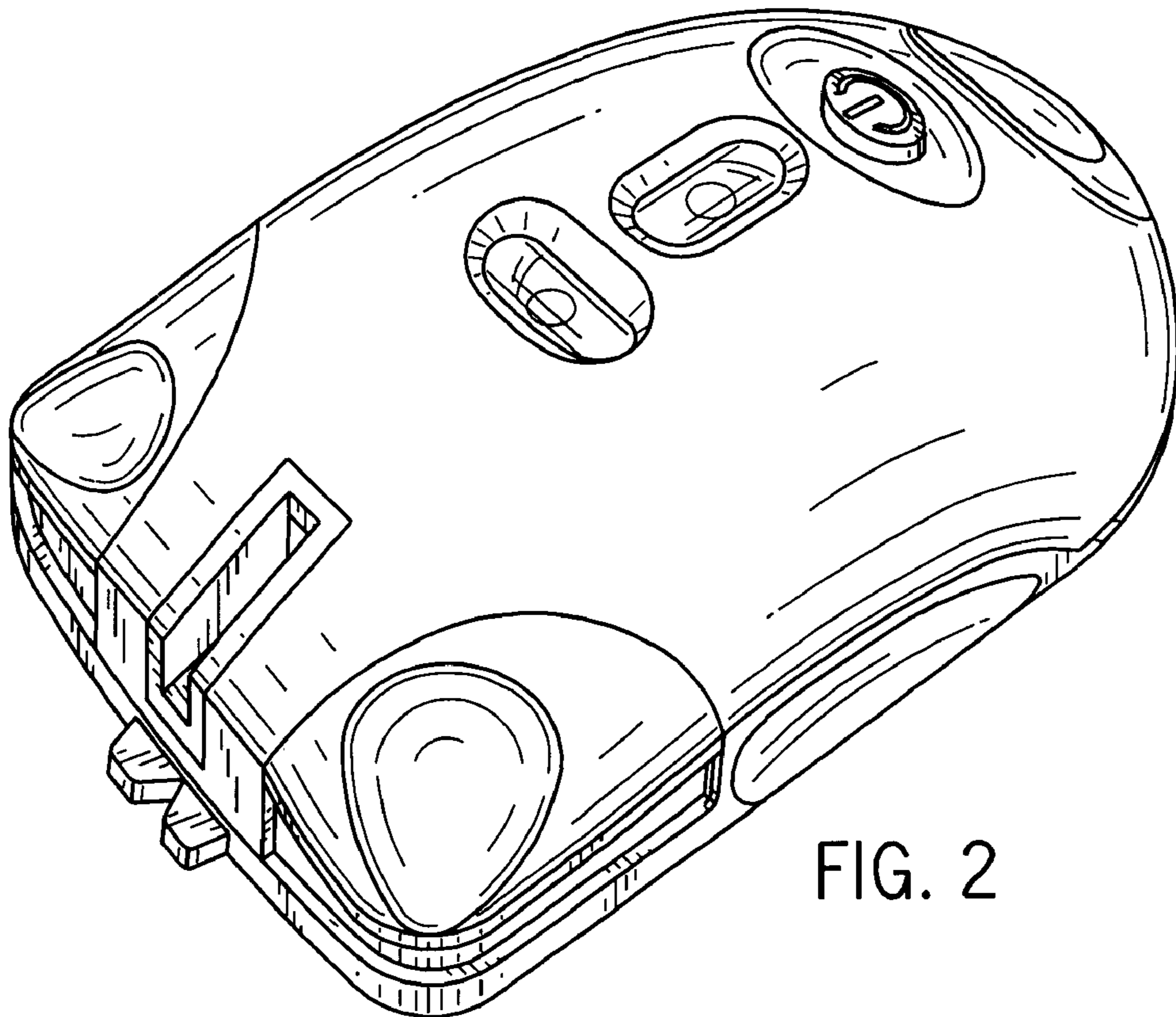


FIG. 2

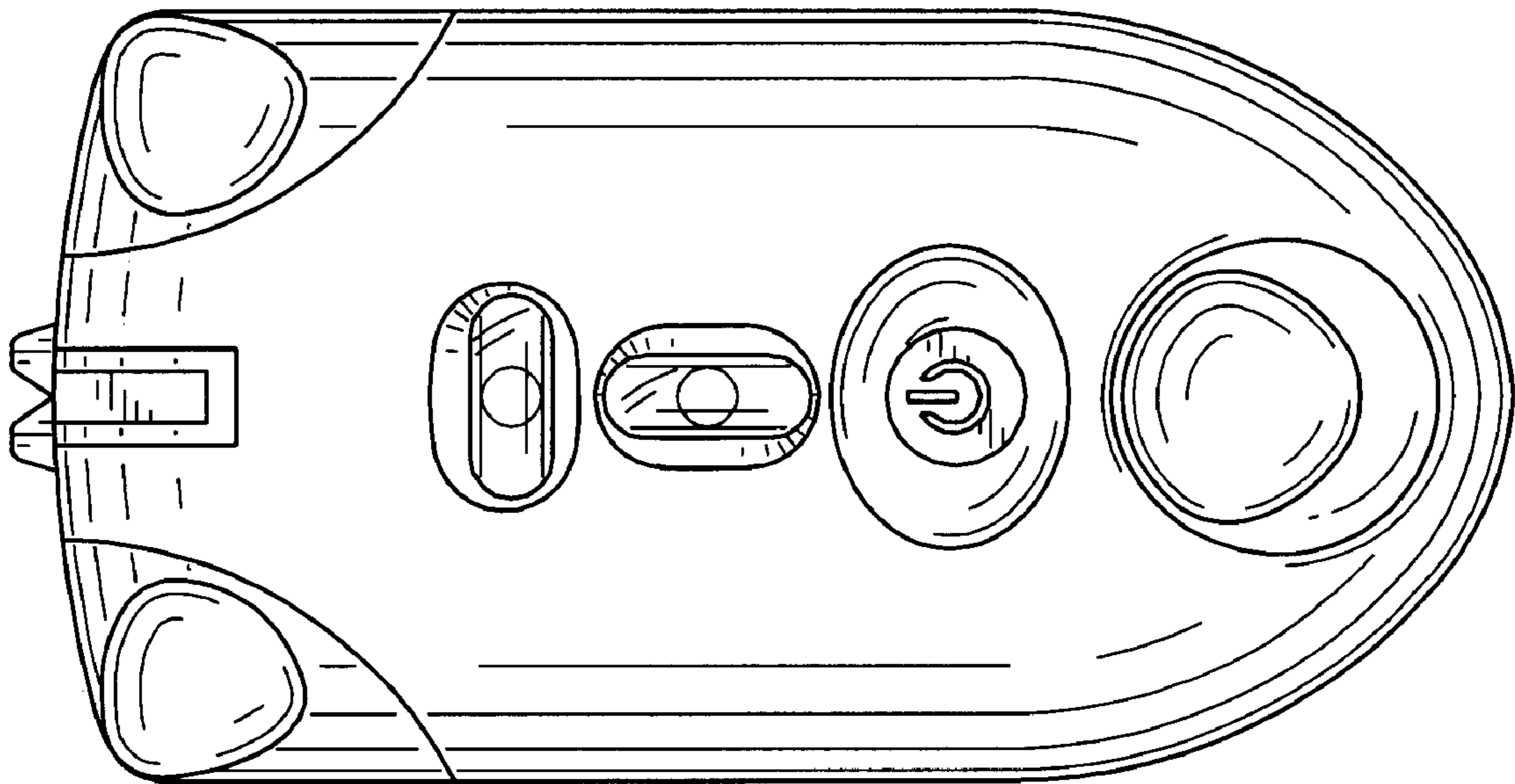


FIG. 3

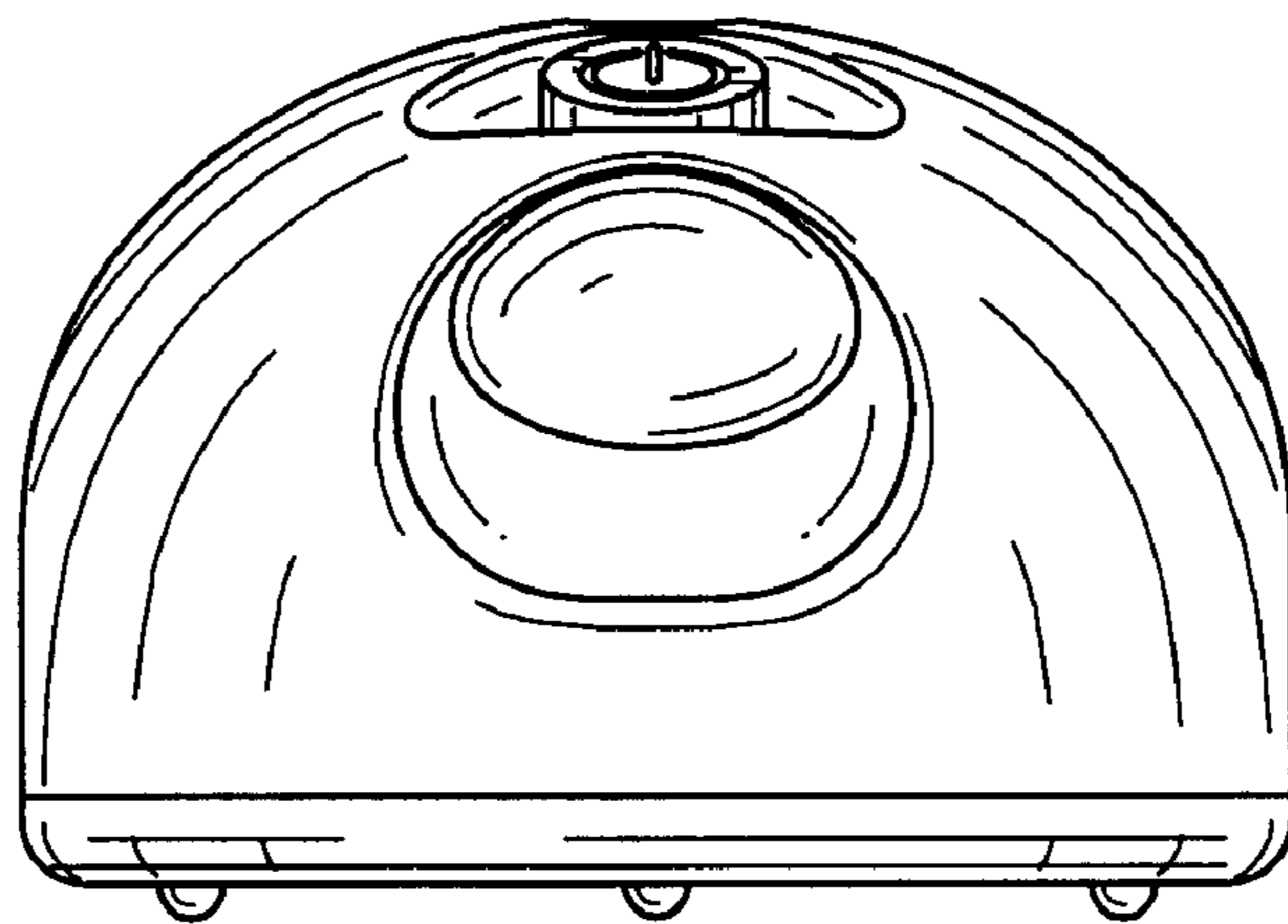


FIG. 4

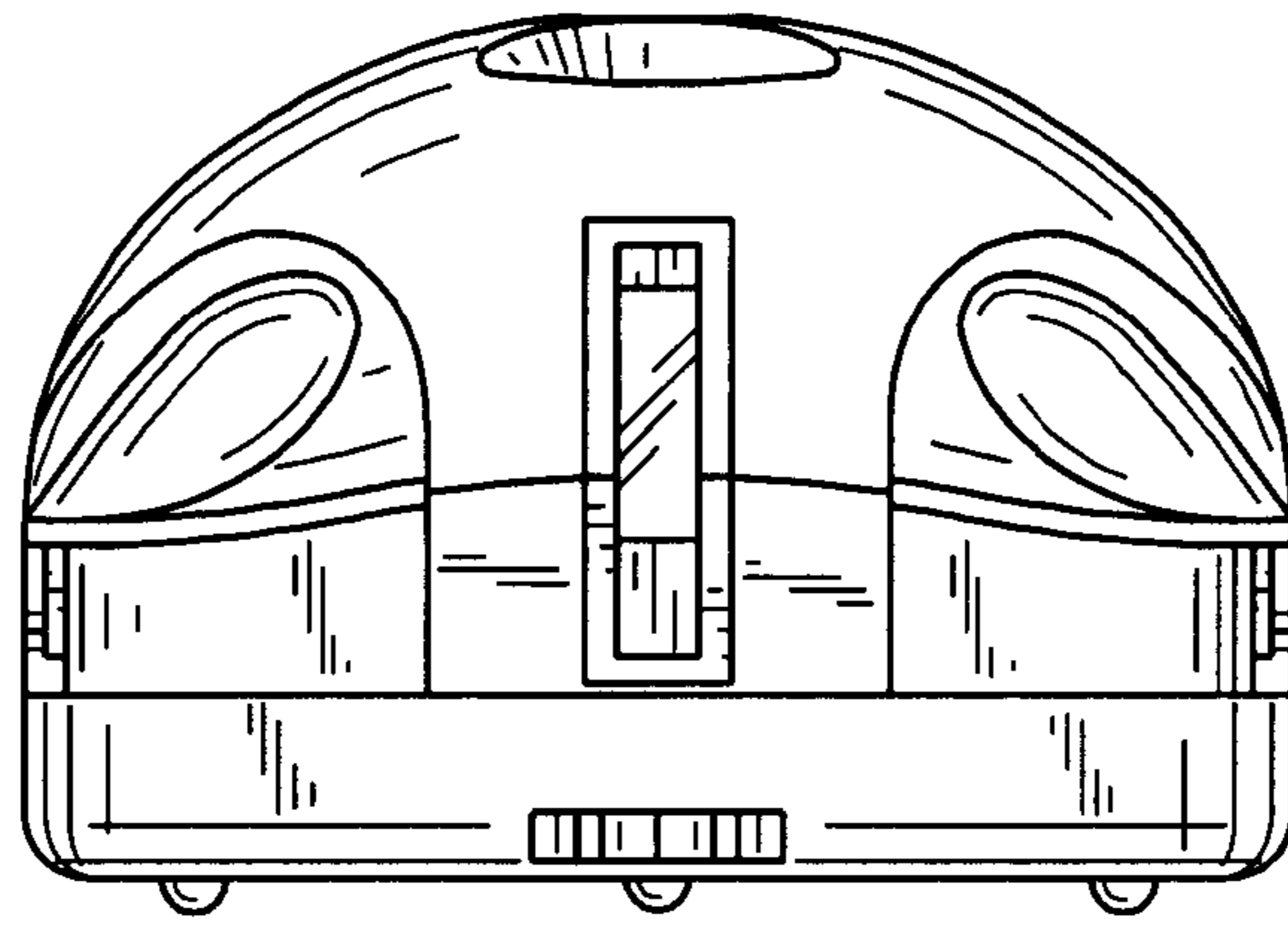


FIG. 5

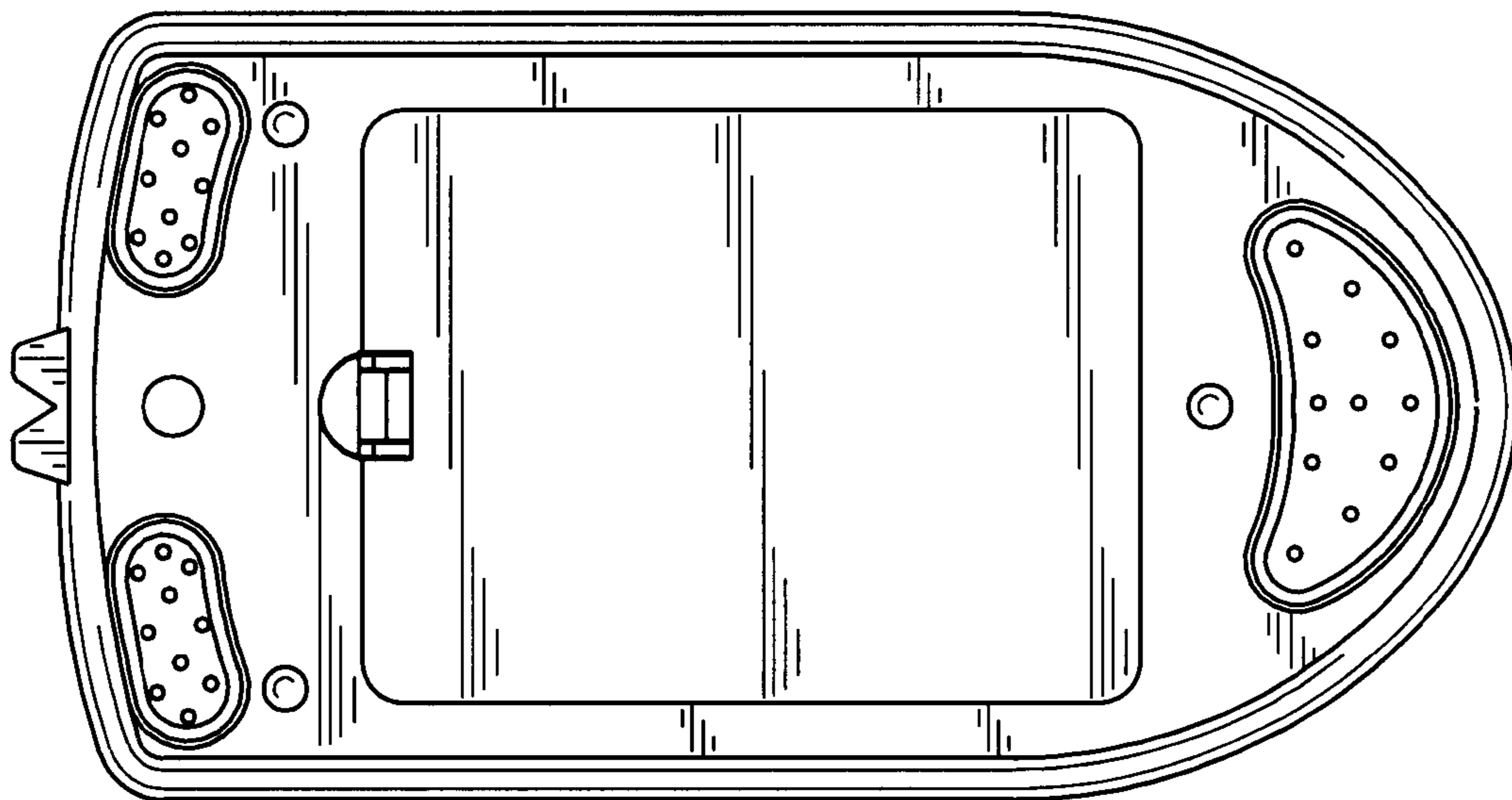


FIG. 6

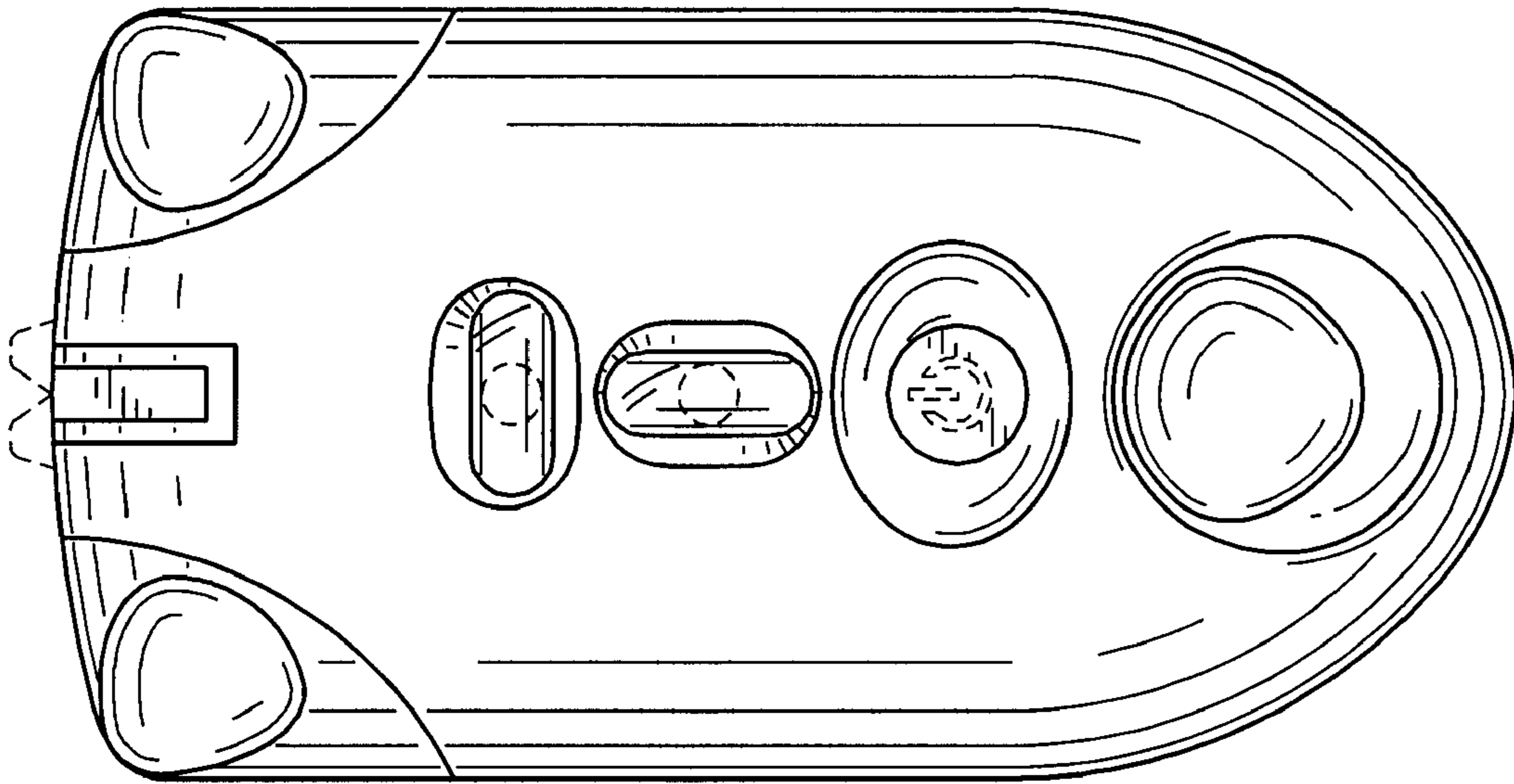


FIG. 7

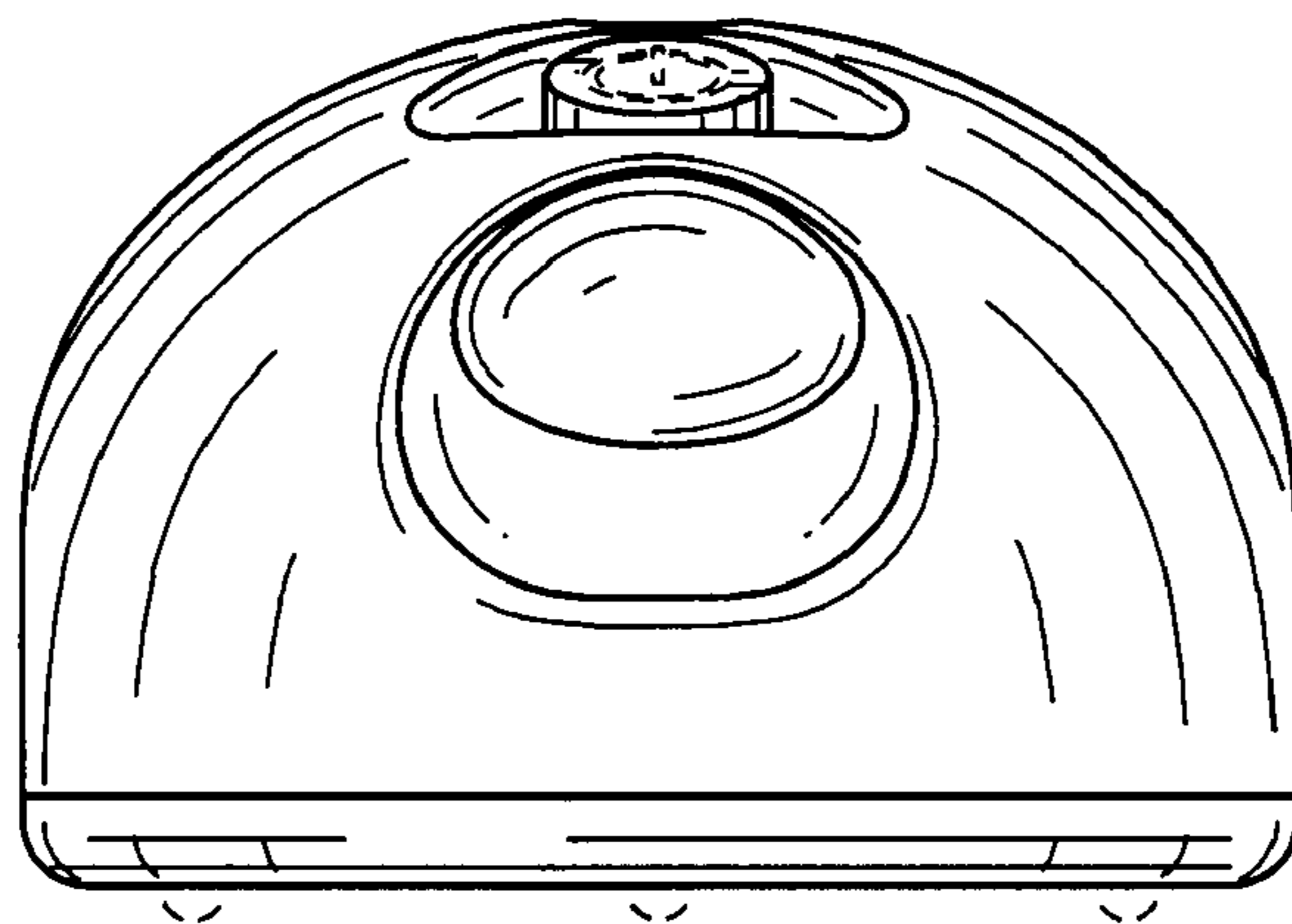


FIG. 8

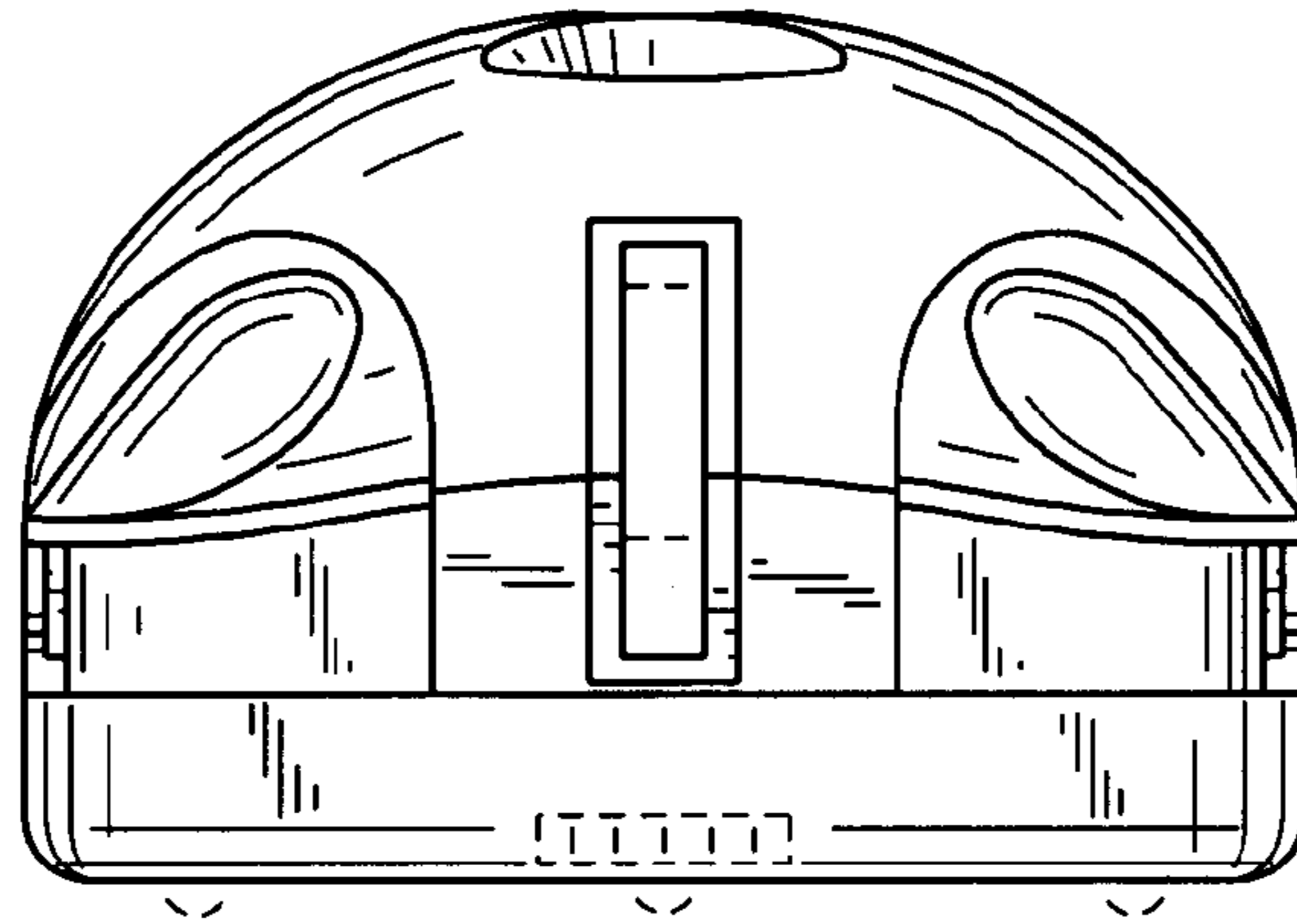


FIG. 9

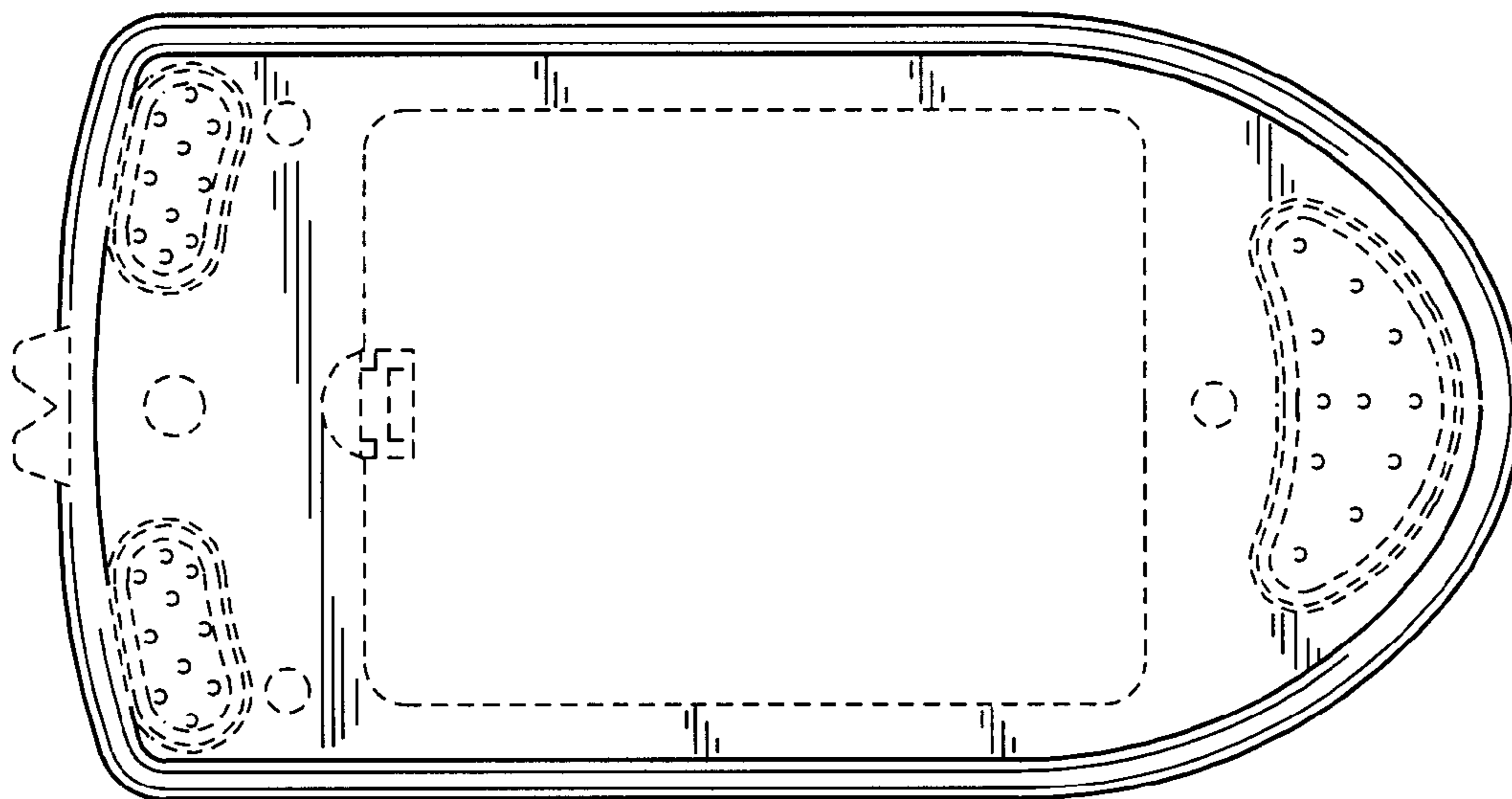


FIG. 10