



US00D527293S

(12) **United States Design Patent**
Ishii

(10) **Patent No.:** **US D527,293 S**

(45) **Date of Patent:** **** Aug. 29, 2006**

(54) **LASER PROJECTING APPARATUS**

(75) Inventor: **Mitsuo Ishii**, Tokyo (JP)

(73) Assignee: **Kabushiki Kaisha TOPCON**, Tokyo (JP)

(**) Term: **14 Years**

(21) Appl. No.: **29/219,051**

(22) Filed: **Dec. 13, 2004**

(30) **Foreign Application Priority Data**

Jun. 15, 2004 (JP) 2004-017820

(51) **LOC (8) Cl.** **10-04**

(52) **U.S. Cl.** **D10/66**

(58) **Field of Classification Search** D10/50,
D10/65, 66, 101; D16/130; 33/276, 277,
33/281, 285-286, 290-299, DIG. 21; 250/206.2,
250/208.2, 214 B; 356/3.01, 5.06, 28, 138-155,
356/399, 400; 368/120

See application file for complete search history.

(56) **References Cited**

U.S. PATENT DOCUMENTS

- 5,898,490 A * 4/1999 Ohtomo et al. 356/141.3
- D411,809 S * 7/1999 Wakabayashi D10/66
- D469,738 S * 2/2003 Ishii D10/66
- D509,180 S * 9/2005 Murray et al. D10/69

* cited by examiner

Primary Examiner—Antoine D. Davis

Assistant Examiner—Patricia Palasik

(74) *Attorney, Agent, or Firm*—Jacobson Holman PLLC

(57) **CLAIM**

The ornamental design for a laser projecting apparatus, as shown and described.

DESCRIPTION

FIG. 1 is a front view of the laser projecting apparatus according to our novel design;

FIG. 2 is a rear view of the laser projecting apparatus of FIG. 1;

FIG. 3 is a left side view of the laser projecting apparatus of FIG. 1;

FIG. 4 is a right side view of the laser projecting apparatus of FIG. 1;

FIG. 5 is a plan view of the laser projecting apparatus of FIG. 1;

FIG. 6 is a bottom view of the laser projecting apparatus of FIG. 1; and

FIG. 7 is a perspective view from above right of the laser projecting apparatus of FIG. 1,

FIG. 8 is an enlarged view; and,

FIG. 9 is a cross-section taken along a line 9—9 in FIG. 1 which does not indicate an inside mechanism.

1 Claim, 4 Drawing Sheets

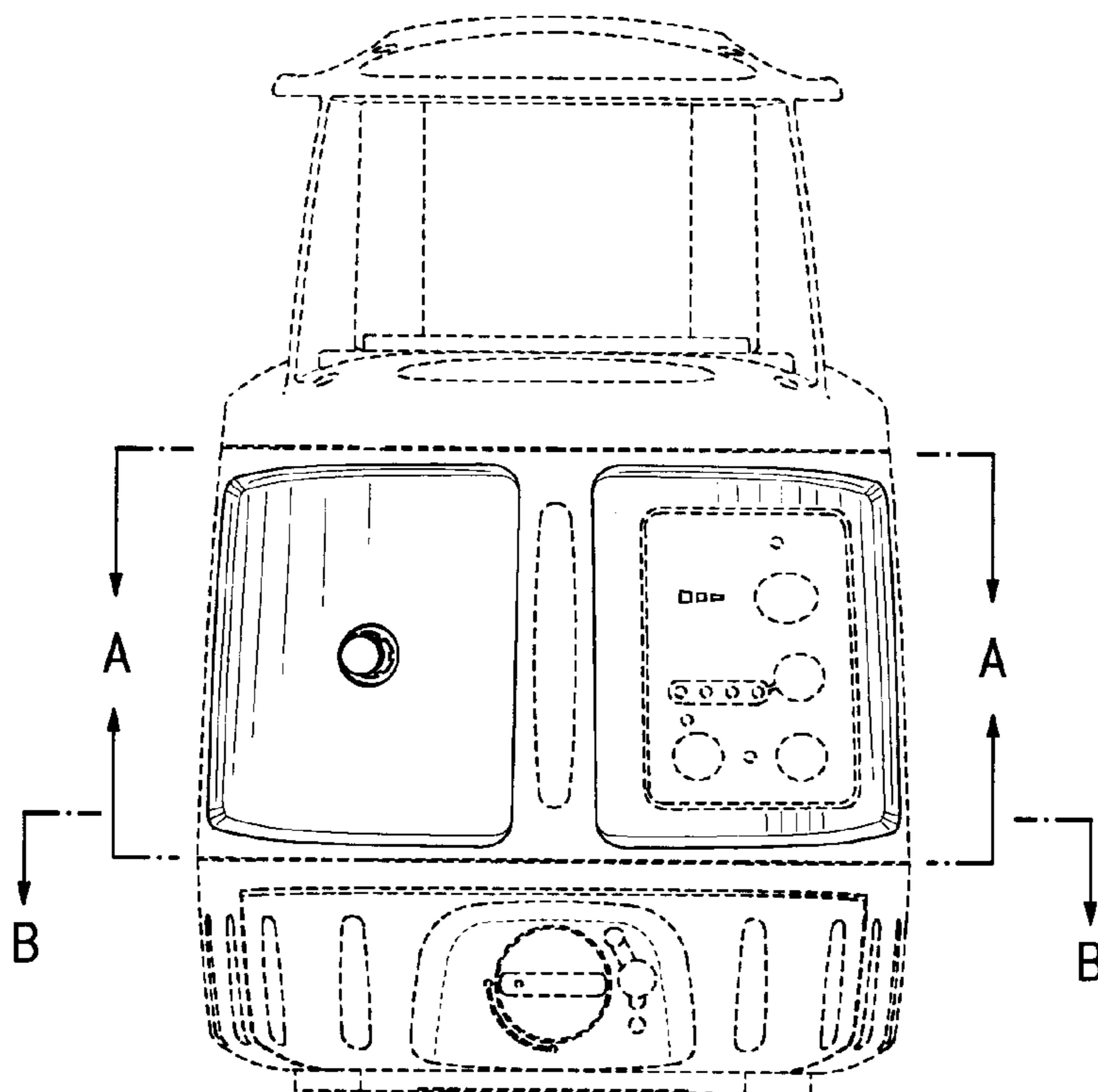


FIG. 1

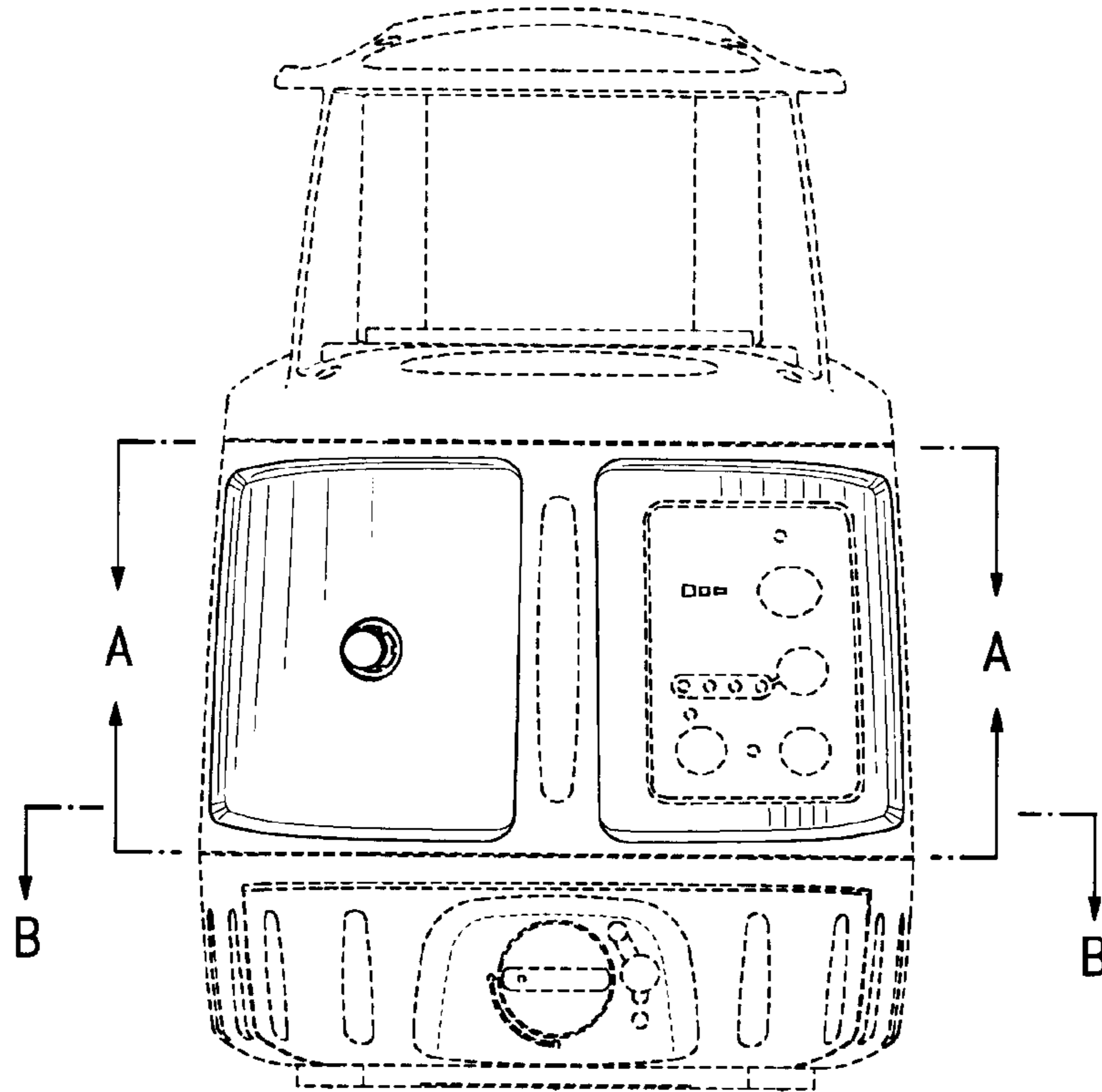


FIG. 2

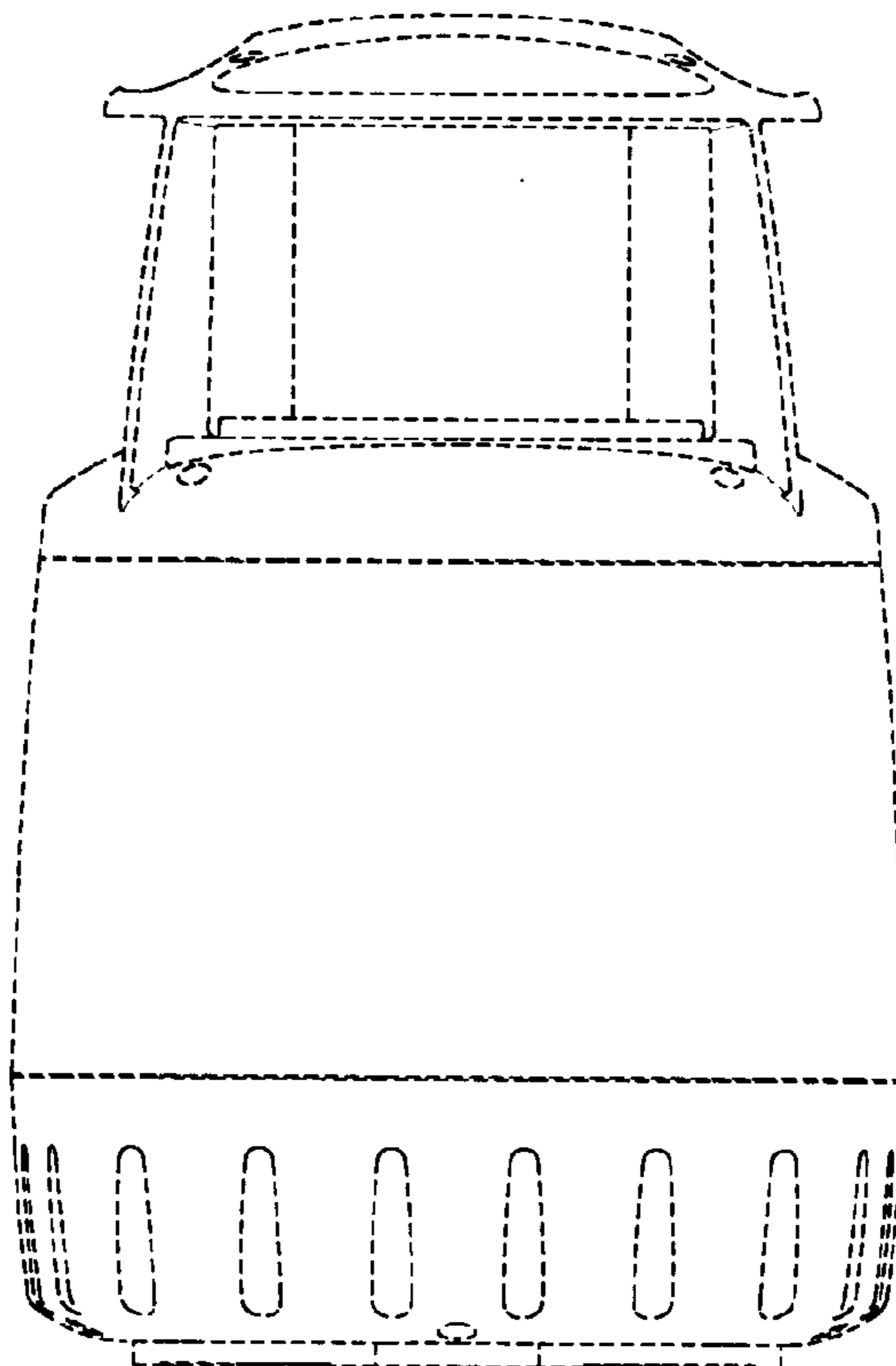


FIG. 3

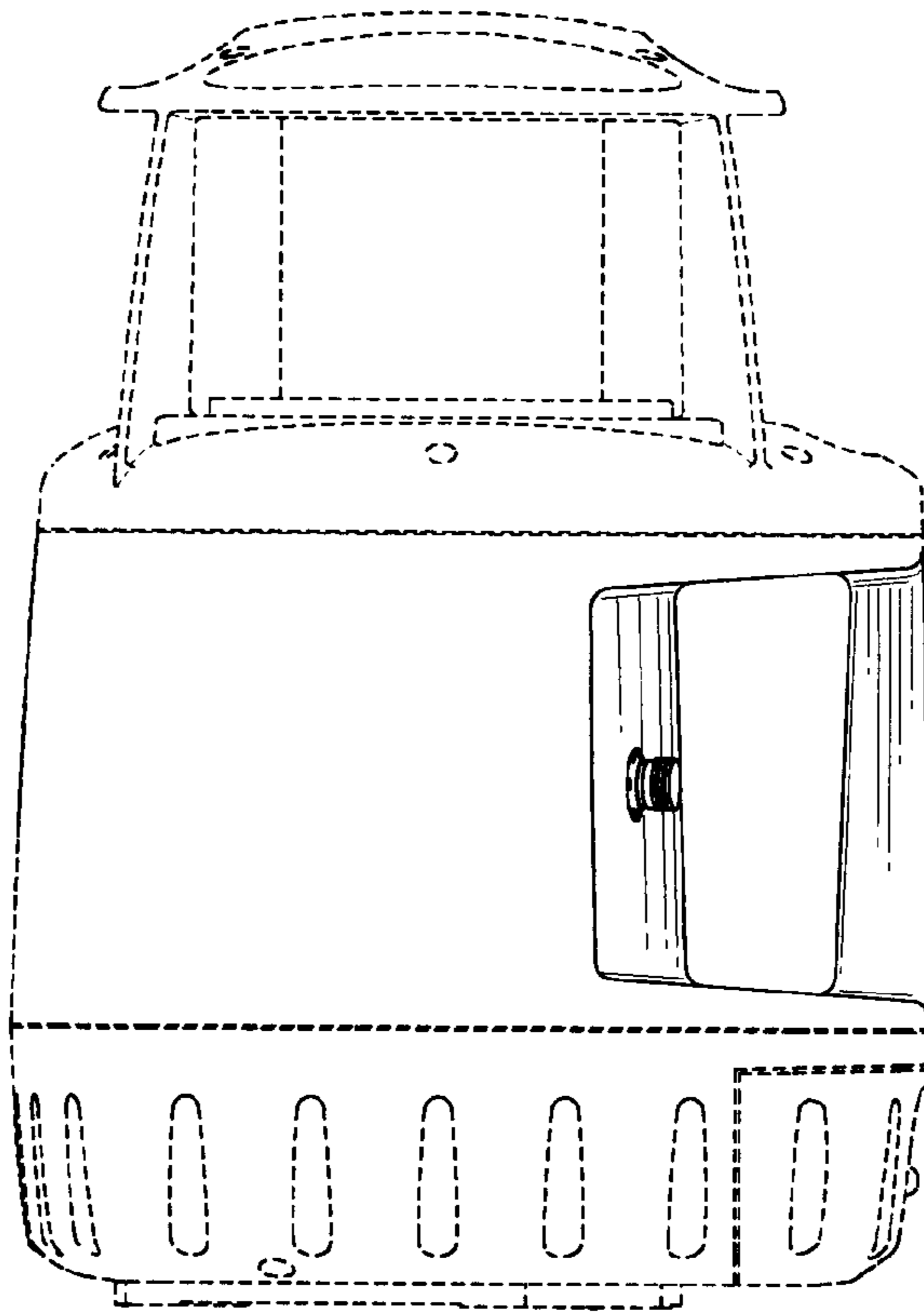


FIG. 4

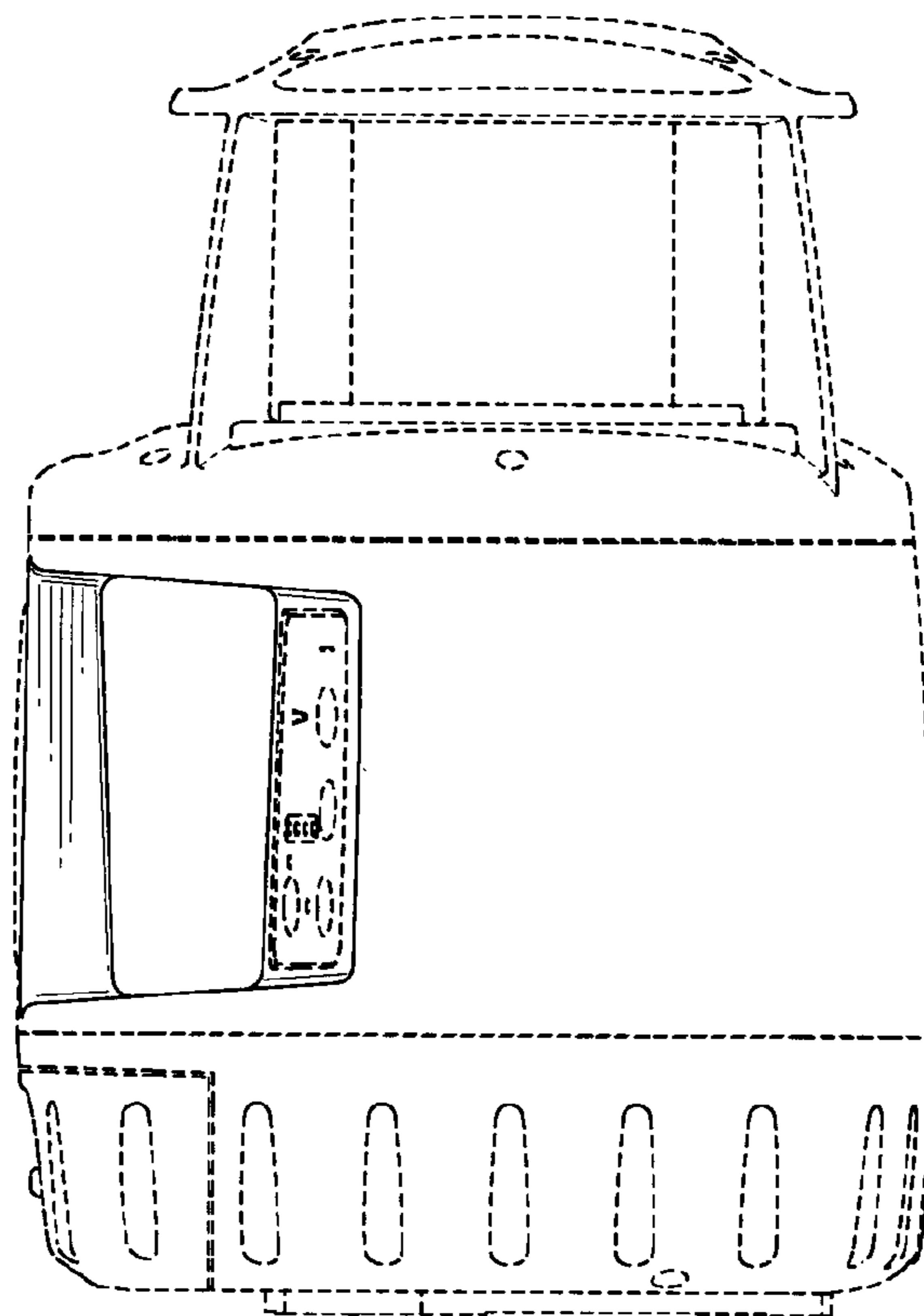


FIG. 5

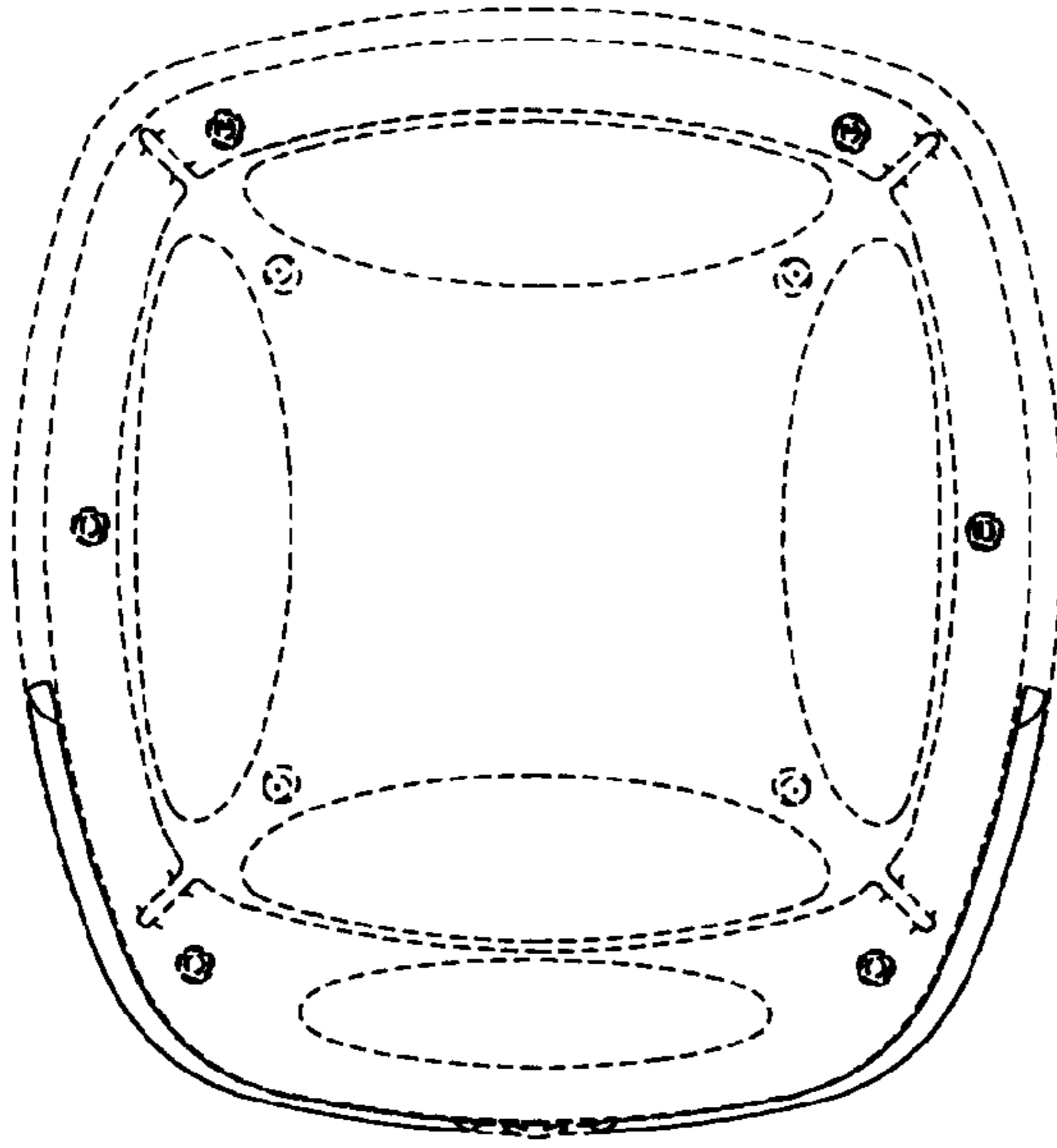


FIG. 6

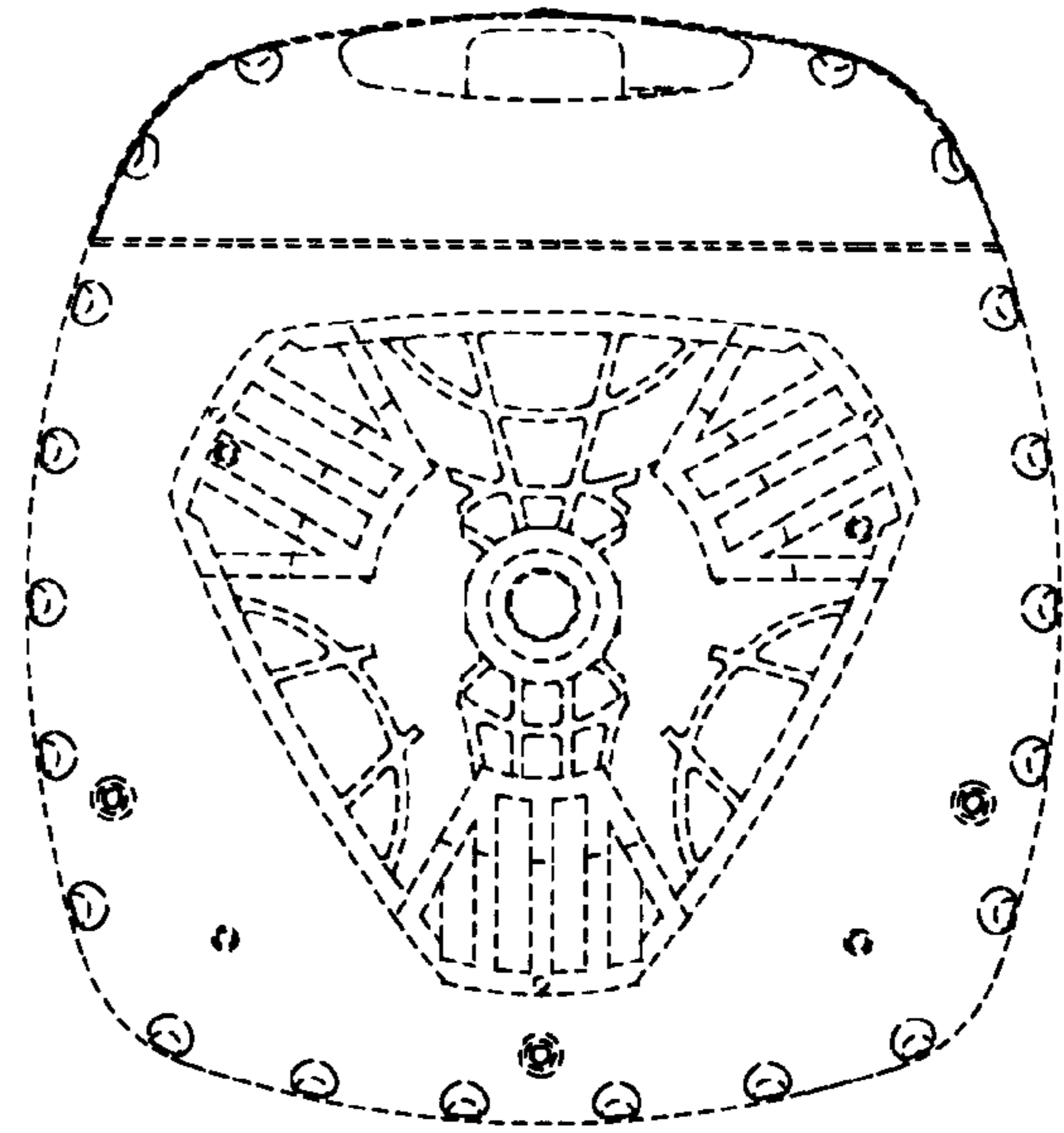


FIG. 7

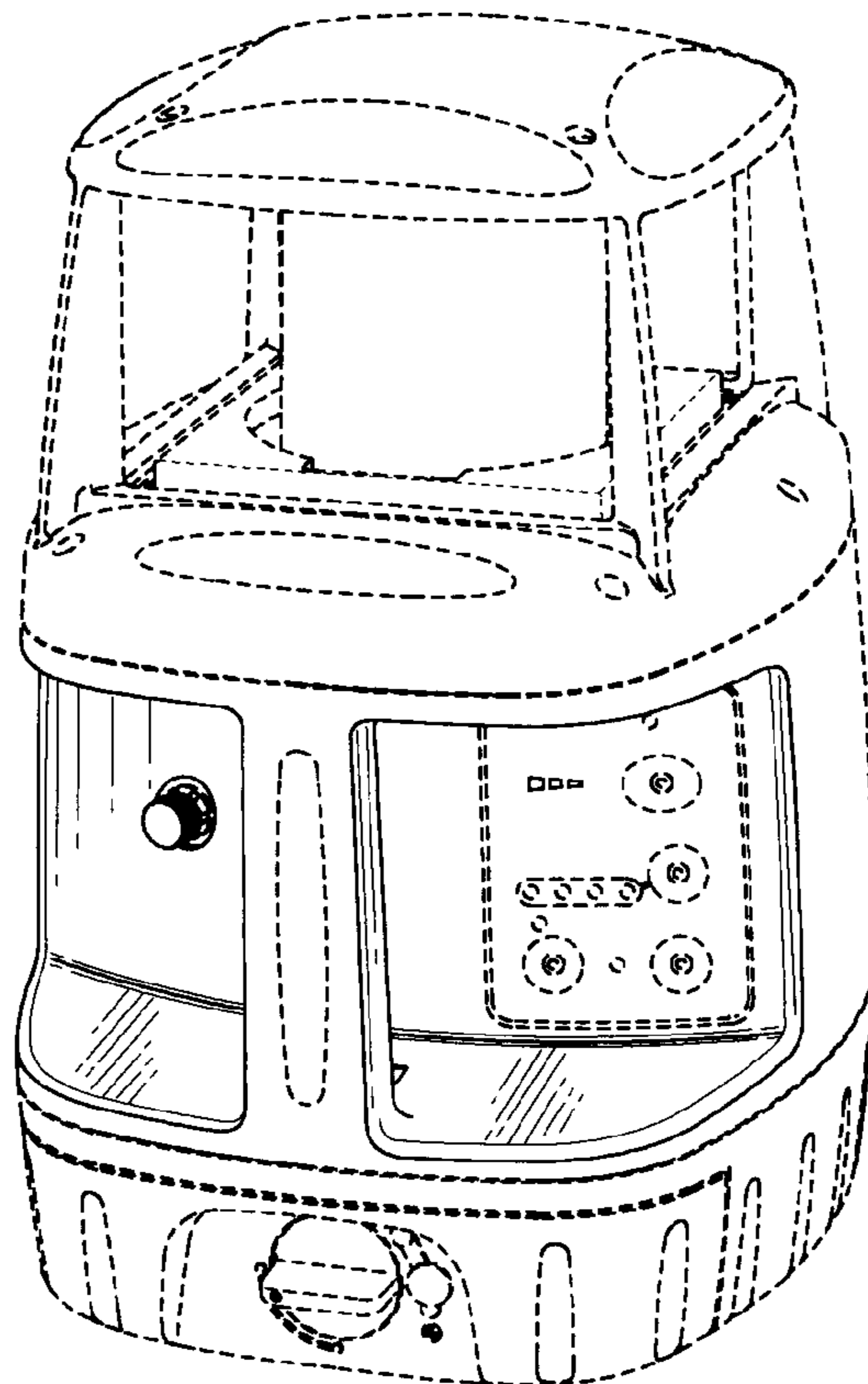


FIG. 8

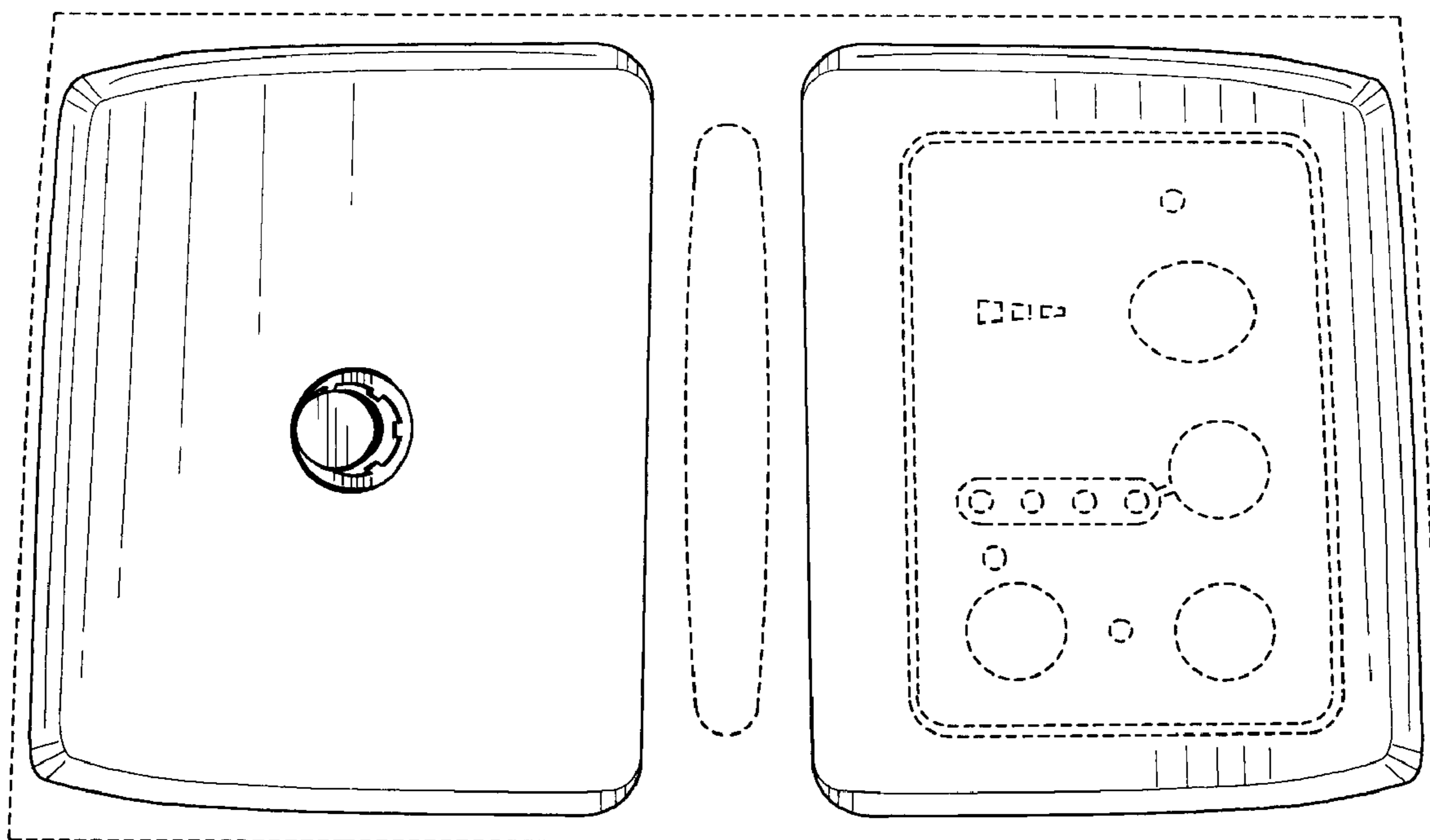
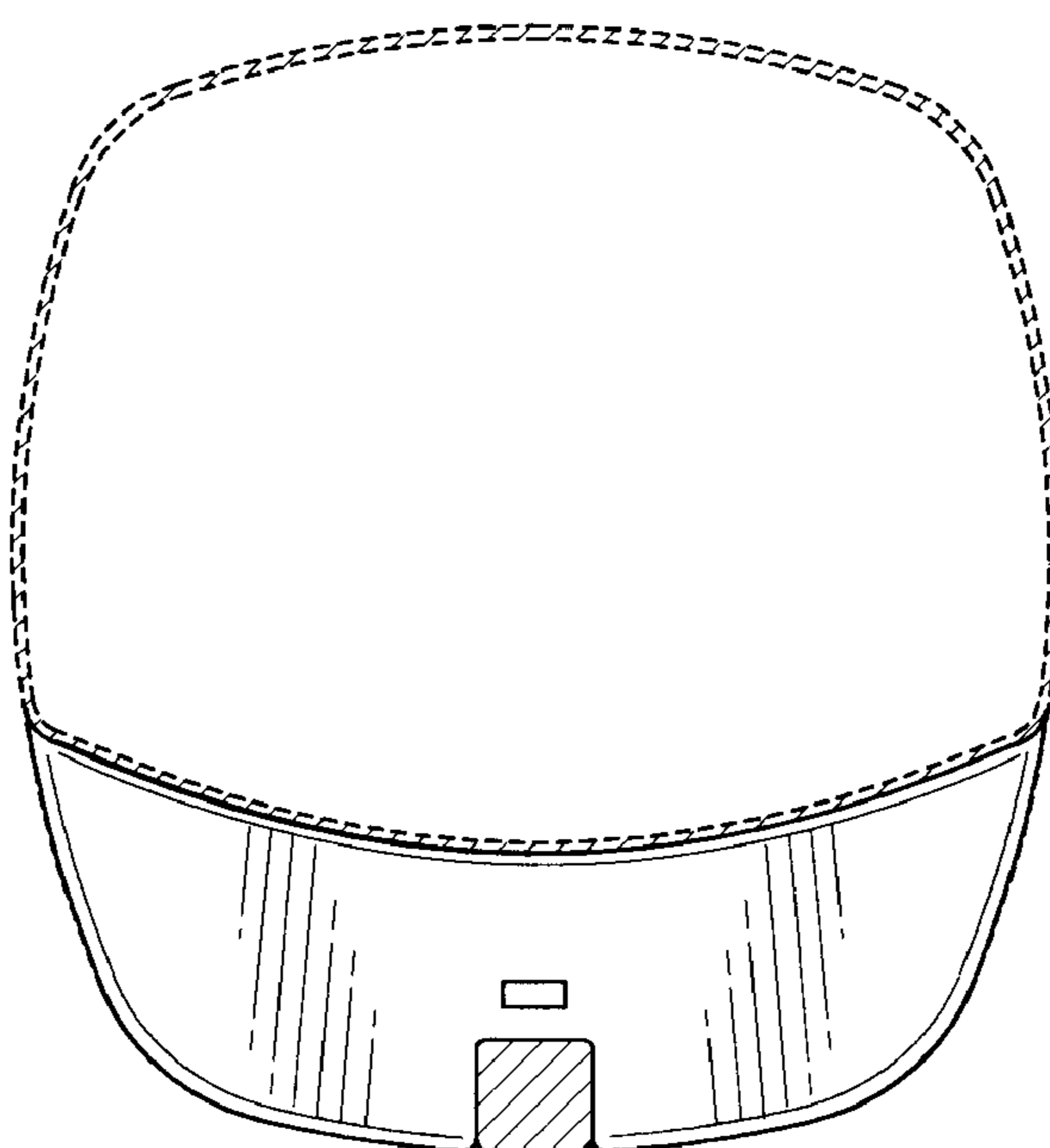


FIG. 9



UNITED STATES PATENT AND TRADEMARK OFFICE
CERTIFICATE OF CORRECTION

PATENT NO. : Des. 527,293 S
APPLICATION NO. : 29/219051
DATED : August 29, 2006
INVENTOR(S) : Mitsuo Ishi

Page 1 of 3

It is certified that error appears in the above-identified patent and that said Letters Patent is hereby corrected as shown below:

The title page showing the illustrative figure should be deleted and replaced with the attached title page.

Drawing sheet 1, depicting Figs. 1-2, should be deleted and replaced with the attached drawing sheet depicting Figs. 1-2.

Signed and Sealed this

Sixth Day of March, 2007

A handwritten signature in black ink on a light gray dotted background. The signature reads "Jon W. Dudas" in a cursive style.

JON W. DUDAS

Director of the United States Patent and Trademark Office

(12) **United States Design Patent** (10) Patent No.: **US D527,293 S**
 Ishii (45) Date of Patent: **Aug. 29, 2006**

(54) **LASER PROJECTING APPARATUS**

(75) Inventor: Mitsuo Ishii, Tokyo (JP)
 (73) Assignee: Kabushiki Kaisha TOPCON, Tokyo (JP)
 (**) Term: 14 Years

(21) Appl. No.: 29/219,051
 (22) Filed: Dec. 13, 2004

(30) Foreign Application Priority Data
 Jun. 15, 2004 (JP) 2004-017820

(51) LOC (8) Cl. 10-04
 (52) U.S. Cl. D10/66
 (58) Field of Classification Search D10/50,
 D10/55, 66, 101; D16/130; 33/276, 277,
 33/281, 285-286, 290-299, DIG. 21; 250/206.2,
 250/208.2, 214 B; 356/3.01, 5.06, 28, 138-155,
 356/399, 400; 368/120
 See application file for complete search history.

(56) References Cited
 U.S. PATENT DOCUMENTS
 5,898,490 A * 4/1999 Ohno et al. 356/141.3
 D411,809 S * 7/1999 Wakabayashi D10/66
 D469,738 S * 2/2003 Ishii D10/66
 D509,169 S * 9/2005 Murray et al. D10/69

* cited by examiner

Primary Examiner—Antoine D. Davis
 Assistant Examiner—Patricia Palasik
 (14) Attorney, Agent, or Firm—Jacobson Holman PLLC

(57) **CLAIM**

The ornamental design for a laser projecting apparatus, as shown and described.

DESCRIPTION

FIG. 1 is a front view of the laser projecting apparatus according to our novel design;
 FIG. 2 is a rear view of the laser projecting apparatus of FIG. 1;
 FIG. 3 is a left side view of the laser projecting apparatus of FIG. 1;
 FIG. 4 is a right side view of the laser projecting apparatus of FIG. 1;
 FIG. 5 is a plan view of the laser projecting apparatus of FIG. 1;
 FIG. 6 is a bottom view of the laser projecting apparatus of FIG. 1; and
 FIG. 7 is a perspective view from above right of the laser projecting apparatus of FIG. 1,
 FIG. 8 is an enlarged view; and,
 FIG. 9 is a cross-section taken along a line 9—9 in FIG. 1 which does not indicate an inside mechanism.

1 Claim, 4 Drawing Sheets

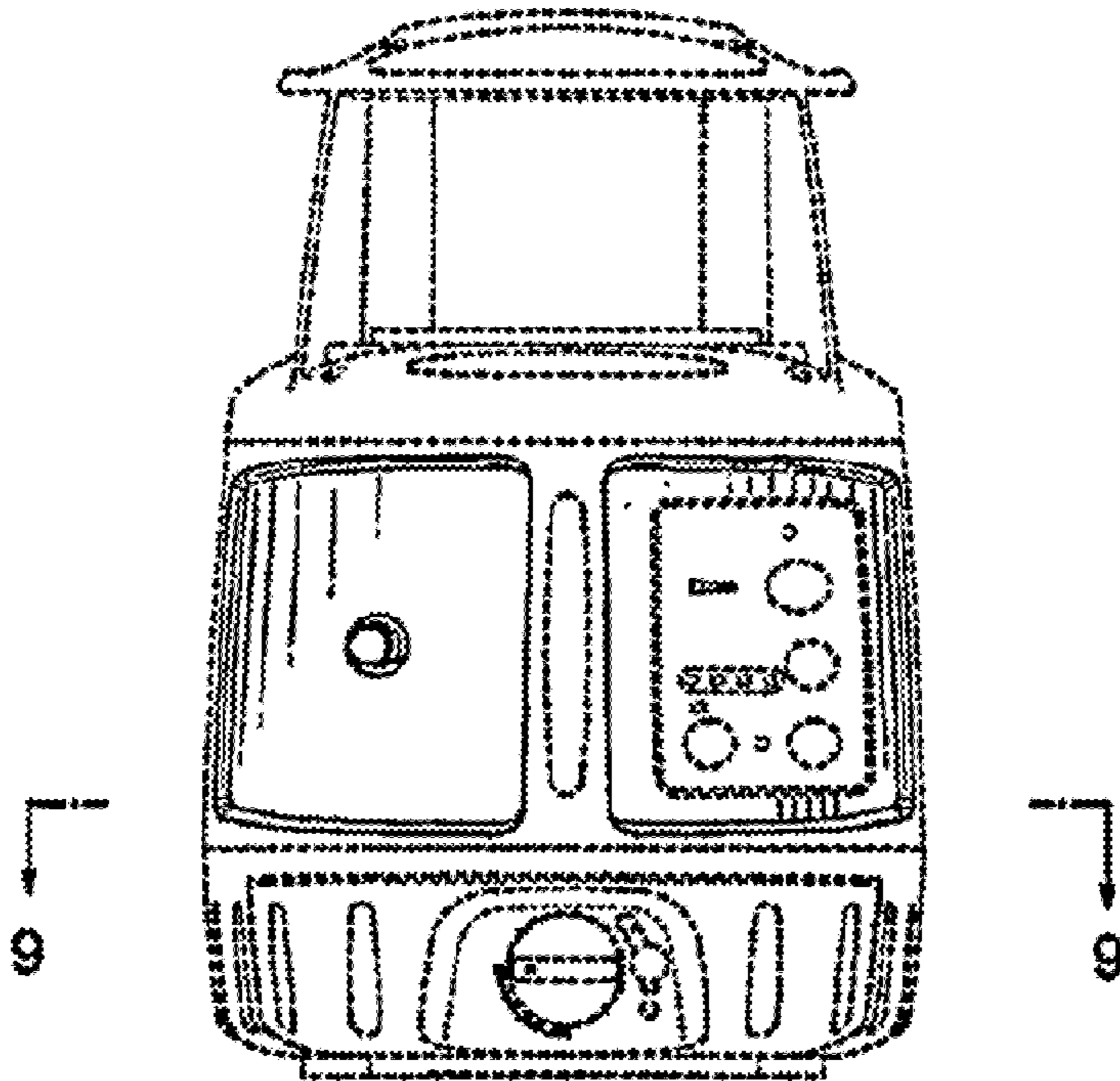


FIG. 1

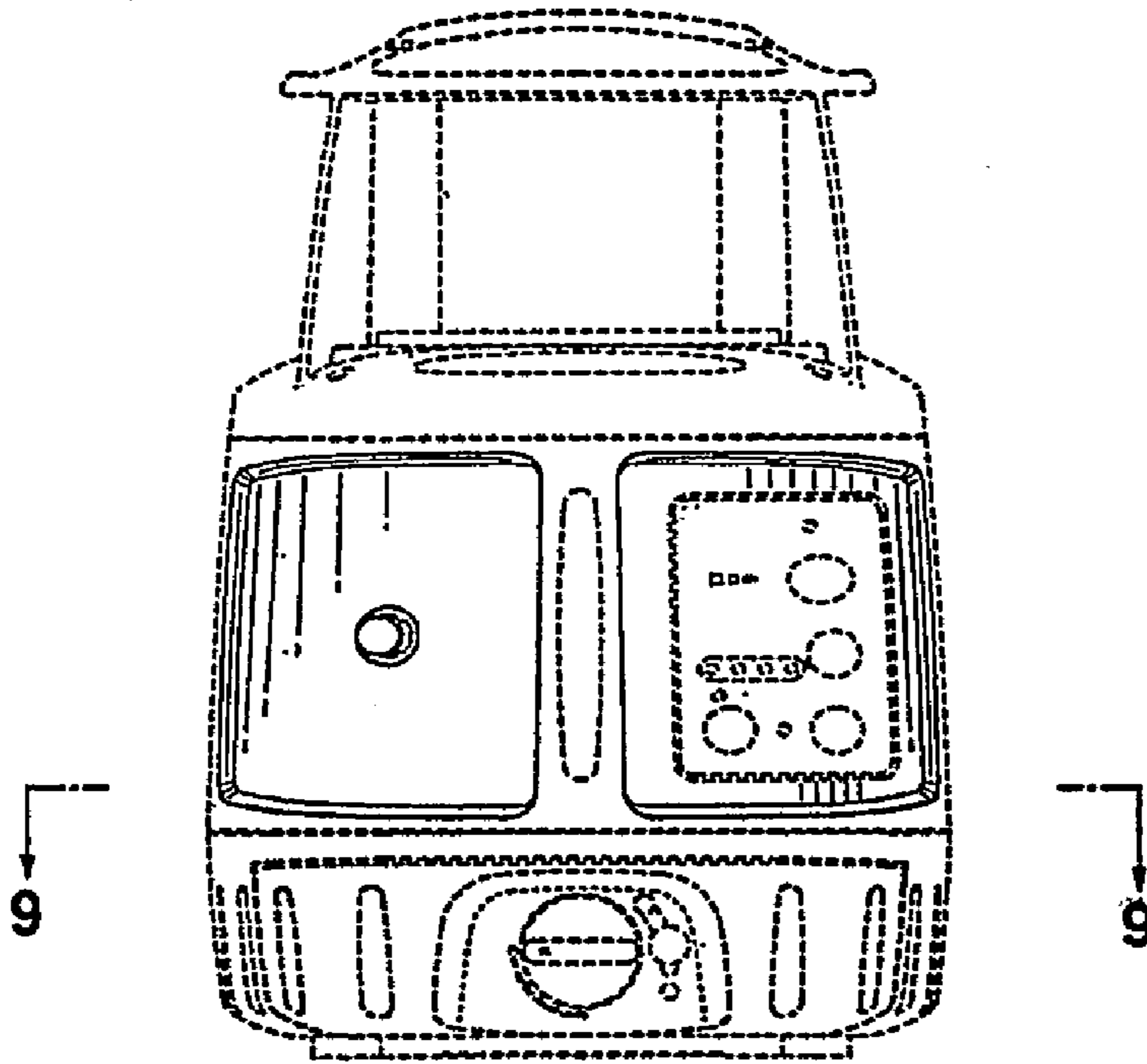


FIG. 2

