



US00D527291S

(12) **United States Design Patent**  
**Bixler**

(10) **Patent No.:** **US D527,291 S**

(45) **Date of Patent:** **\*\* Aug. 29, 2006**

(54) **ROUND DIGITAL HYGROMETER**

(76) Inventor: **Jon Bixler**, 28351 Sherwood Rd.,  
Willits, CA (US) 95490

(\*\*) Term: **14 Years**

(21) Appl. No.: **29/237,981**

(22) Filed: **Sep. 8, 2005**

(51) **LOC (8) Cl.** ..... **10-04**

(52) **U.S. Cl.** ..... **D10/56**

(58) **Field of Classification Search** ..... D10/56;  
73/73; 324/694, 724; 340/604; 702/50  
See application file for complete search history.

(56) **References Cited**

**U.S. PATENT DOCUMENTS**

D336,861 S \* 6/1993 Nicholas ..... D10/56  
D493,732 S \* 8/2004 Youdelman ..... D10/56

\* cited by examiner

*Primary Examiner*—Antoine D. Davis

(74) *Attorney, Agent, or Firm*—Larson & Larson, PA;  
Herbert W. Larson

(57) **CLAIM**

The ornamental design for a round digital hygrometer, as shown and described.

**DESCRIPTION**

FIG. 1 is a front elevation view of the round digital hygrometer, showing my novel design;  
FIG. 2 is a rear elevation view thereof;  
FIG. 3 is a left side view thereof;  
FIG. 4 is a right side view thereof;  
FIG. 5 is a top plan view thereof;  
FIG. 6 is a bottom plan view thereof; and,  
FIG. 7 is a perspective view of the round digital hygrometer of the present invention as shown mounted in a cigar humidor.

The broken lines shown in FIGS. 1 and 7 are for illustrative purposes only and form no part of the claimed design.

**1 Claim, 4 Drawing Sheets**

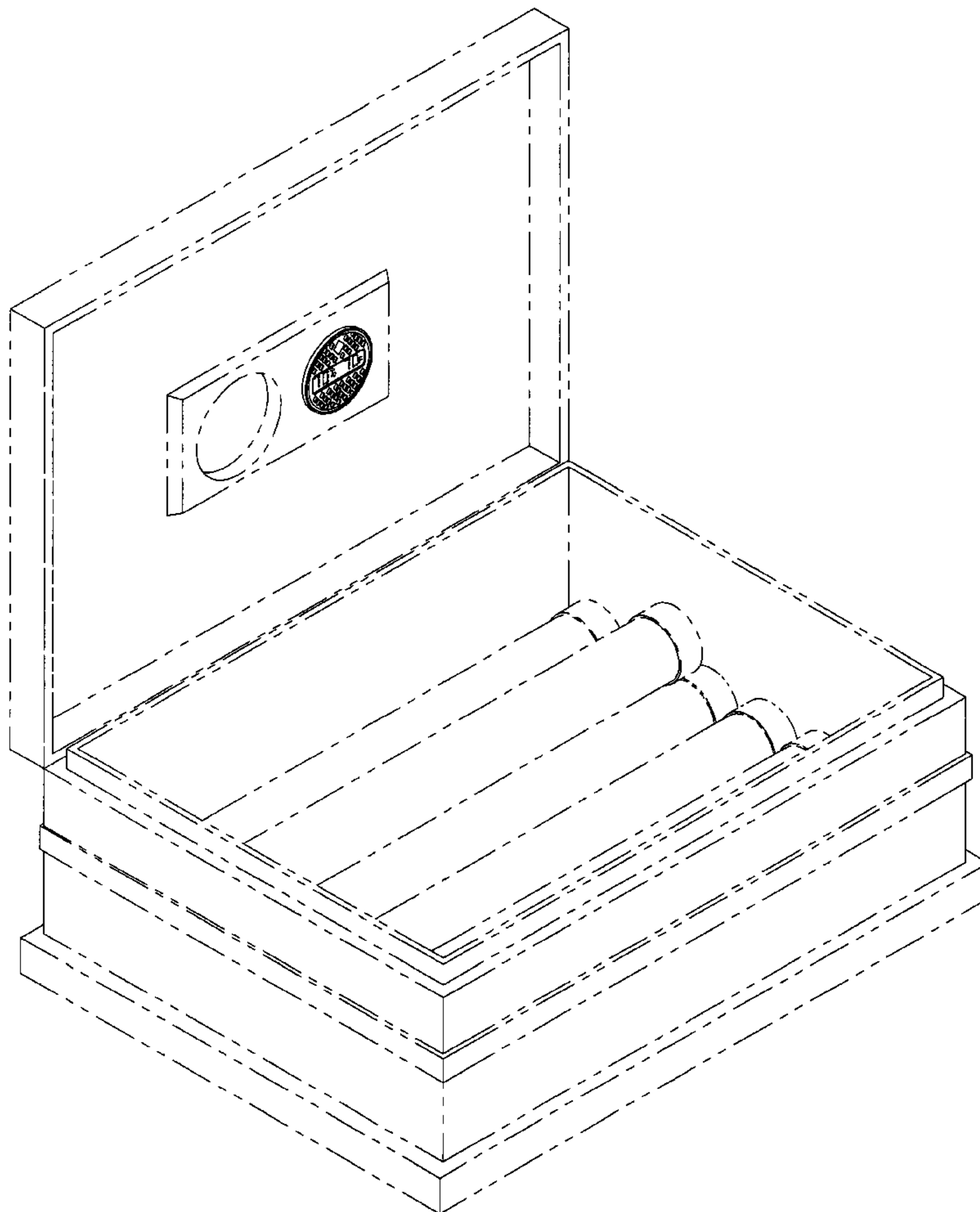


FIG. 1

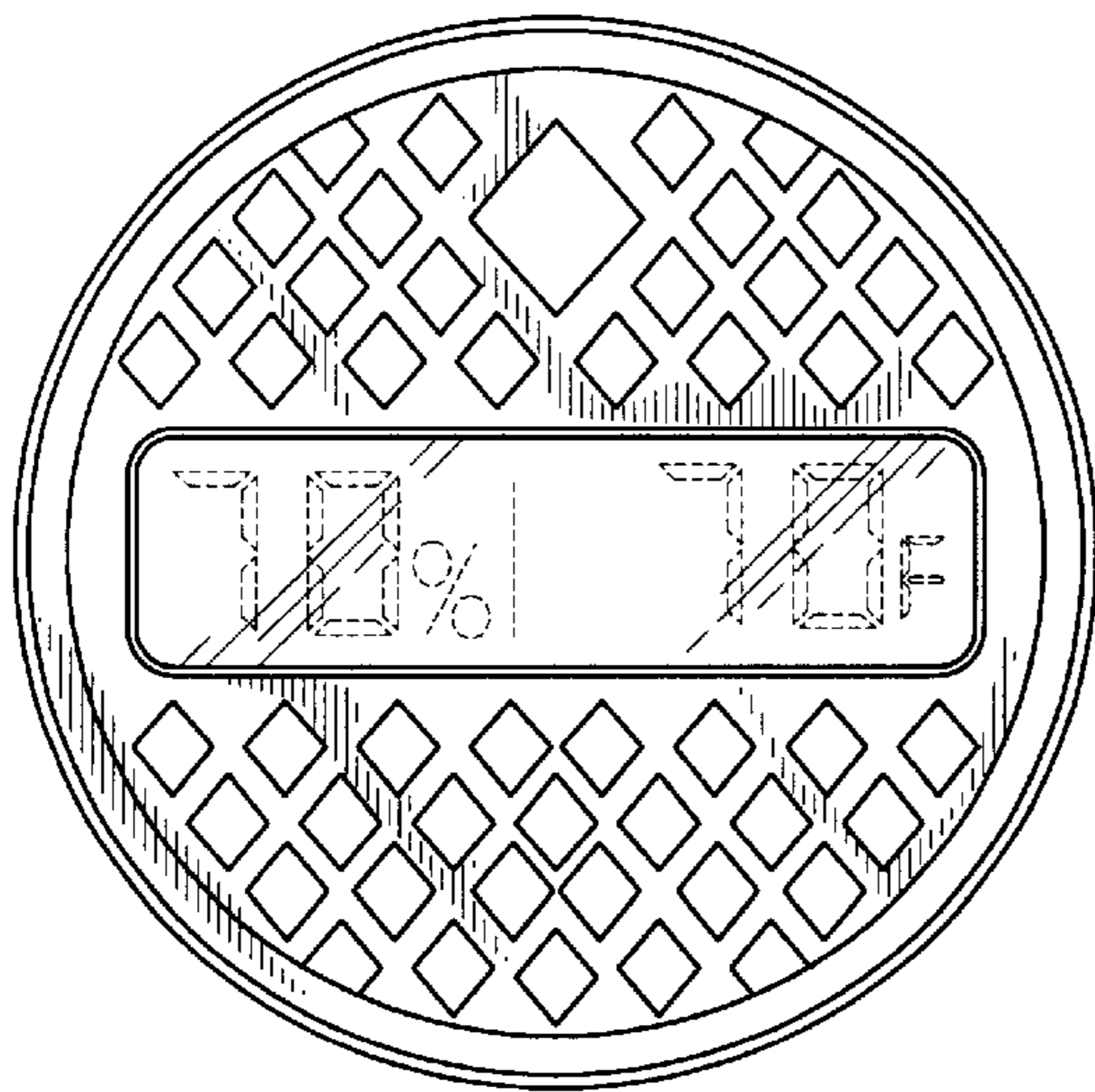


FIG. 2

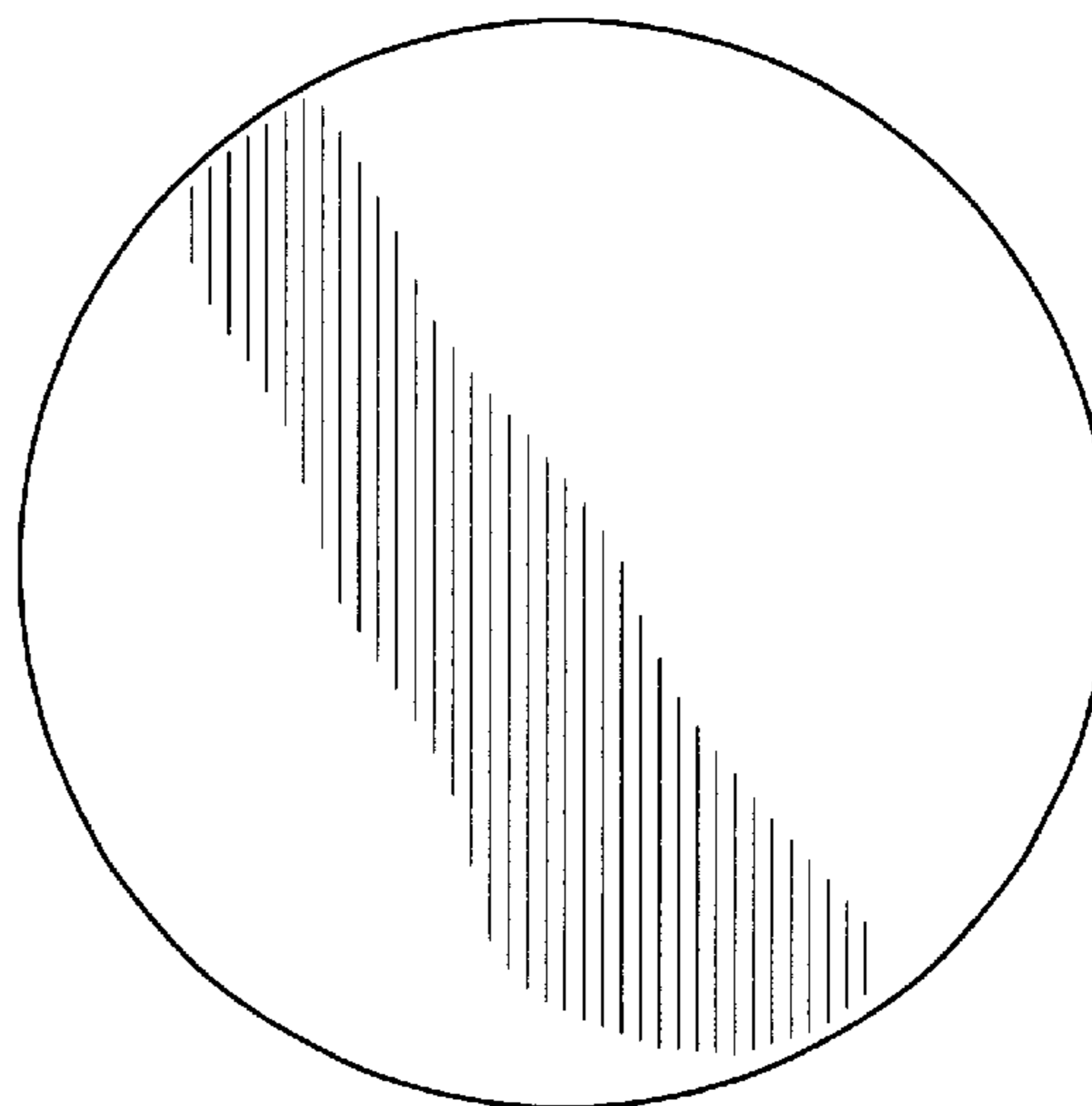


FIG. 3

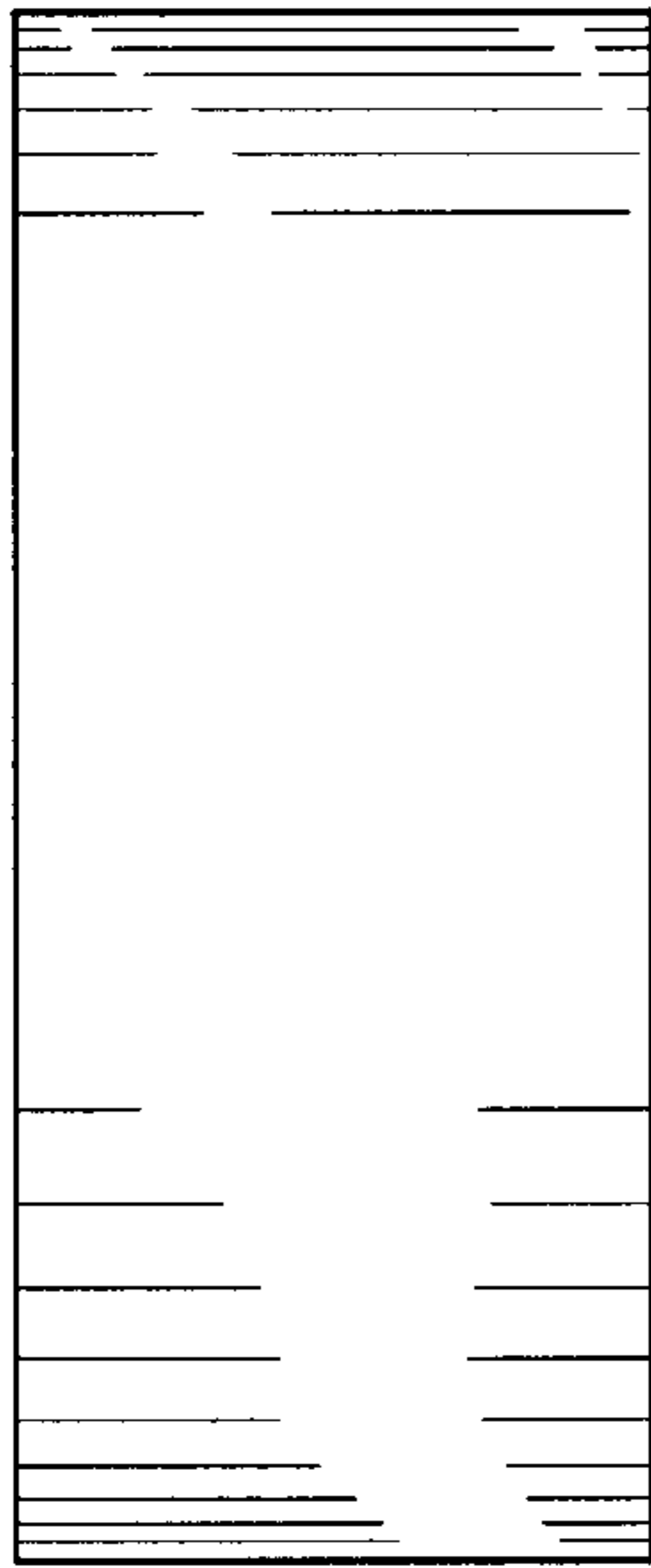


FIG. 4



FIG. 5

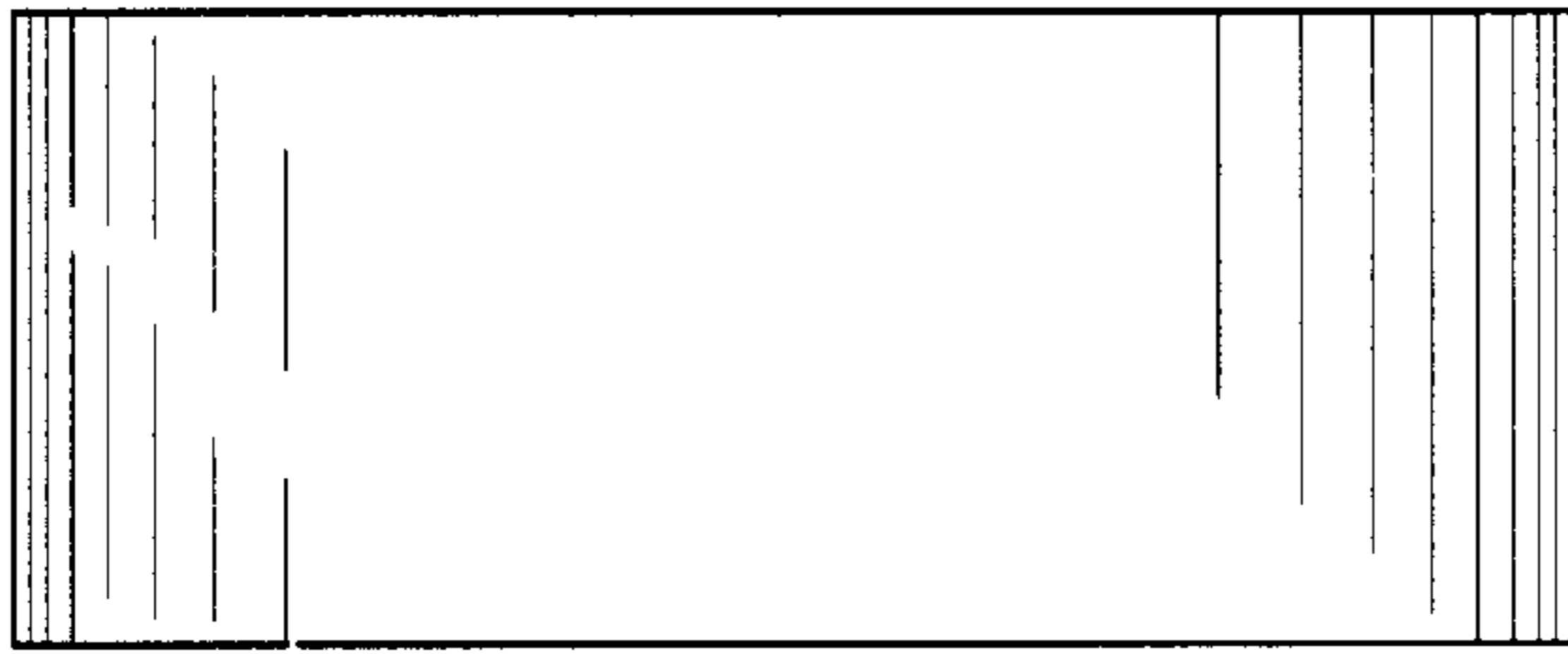
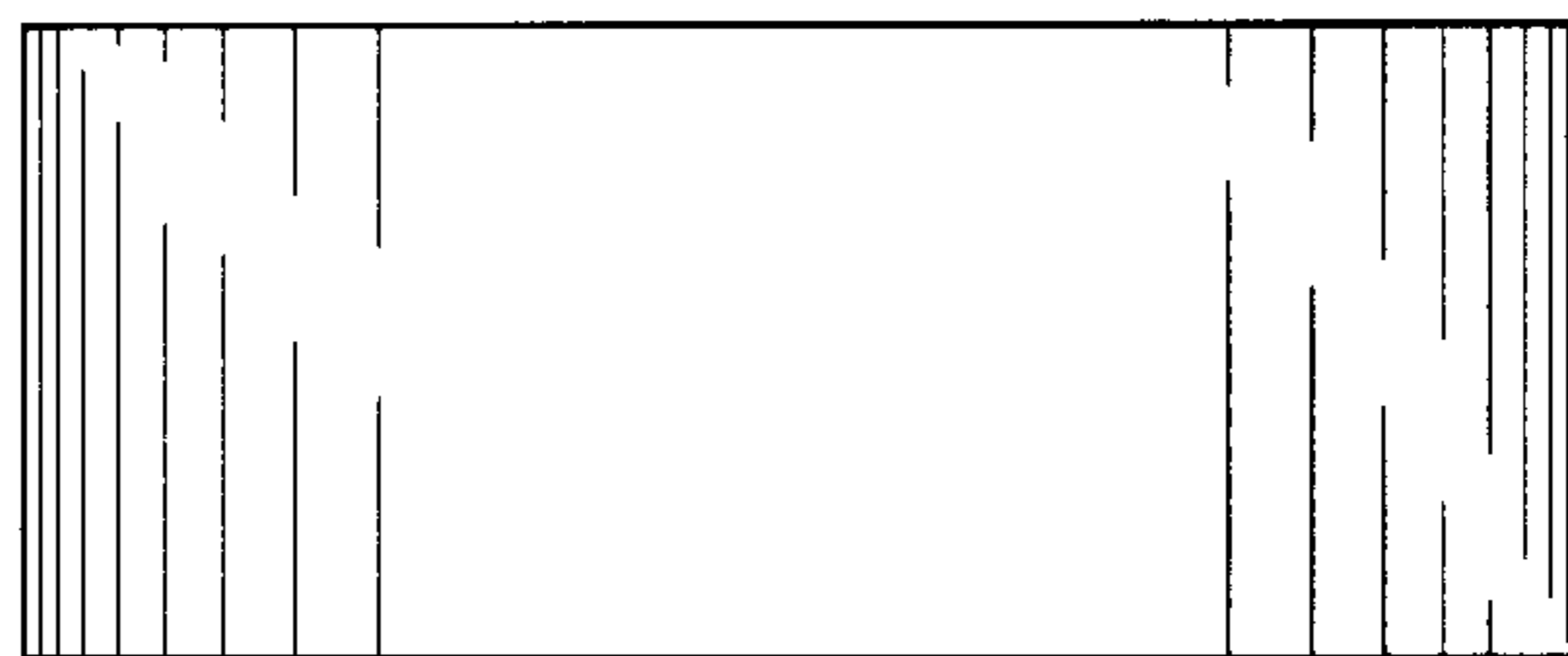


FIG. 6



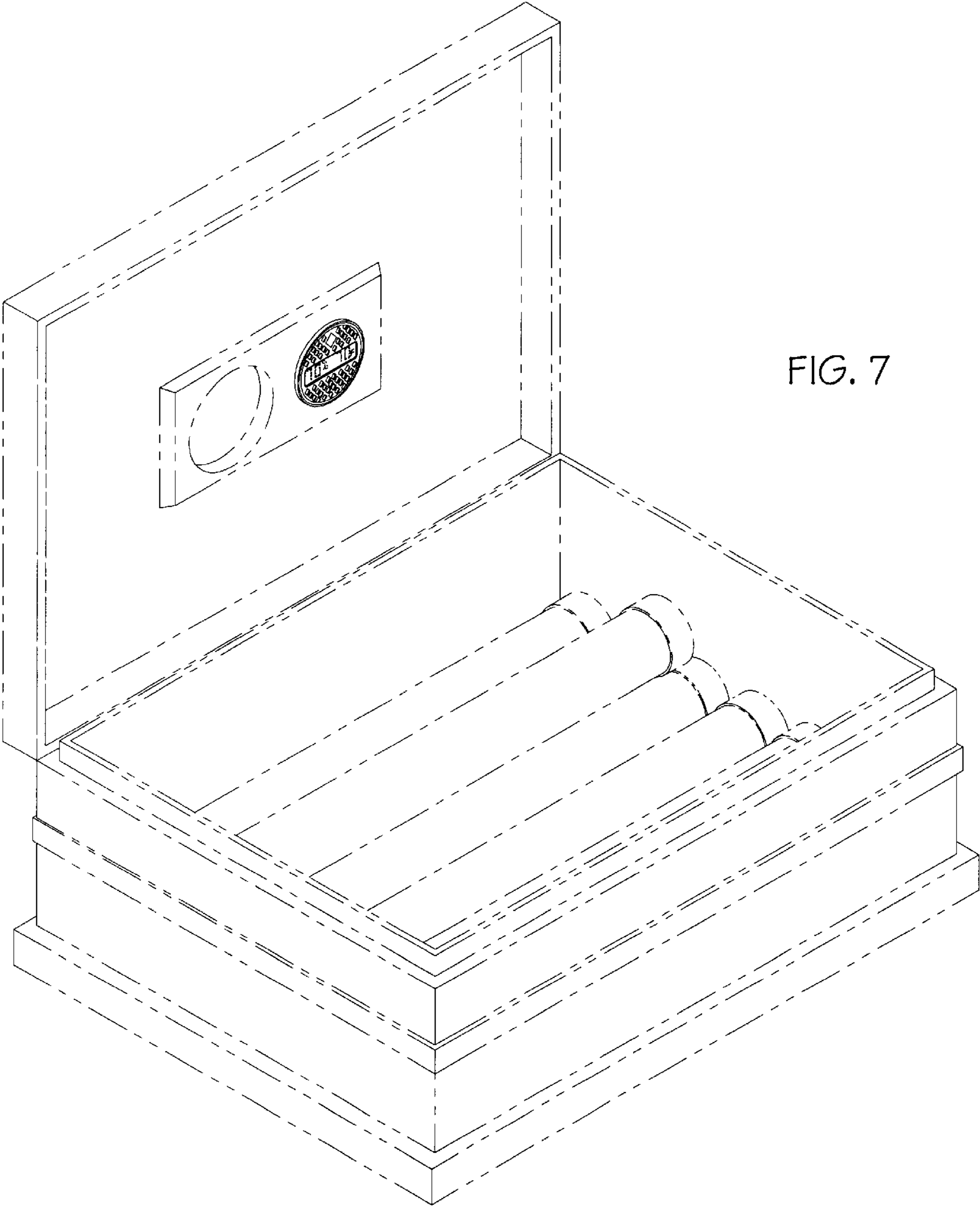


FIG. 7