



US00D527289S

(12) **United States Design Patent**
Pinson

(10) **Patent No.:** **US D527,289 S**

(45) **Date of Patent:** **** Aug. 29, 2006**

(54) **BAROMETER**

D396,812 S * 8/1998 Kuipers D10/55
RE38,584 E * 9/2004 Robinson 340/601

(75) Inventor: **Clement Pinson**, Villeurbanne (FR)

* cited by examiner

(73) Assignee: **OTIO France**, Villeurbanne (FR)

Primary Examiner—Antoine D. Davis

(**) Term: **14 Years**

(74) *Attorney, Agent, or Firm*—Douglas E. Jackson; Stites & Harbison PLLC

(21) Appl. No.: **29/233,398**

(57) **CLAIM**

(22) Filed: **Jul. 5, 2005**

The ornamental design for a barometer, as shown and described.

(30) **Foreign Application Priority Data**

DESCRIPTION

Jan. 5, 2005 (EM) 000273396

(51) **LOC (8) Cl.** **10-04**

FIG. 1 is front view of a barometer according to the present invention.

(52) **U.S. Cl.** **D10/55**

FIG. 2 is a top view of the barometer depicted in FIG. 1.

(58) **Field of Classification Search** D10/55;
73/384-387

FIG. 3 is a right side view of the barometer depicted in FIG. 1, the left side being a mirror image thereof.

See application file for complete search history.

FIG. 4 is a back view of the barometer depicted in FIG. 1 ; and,

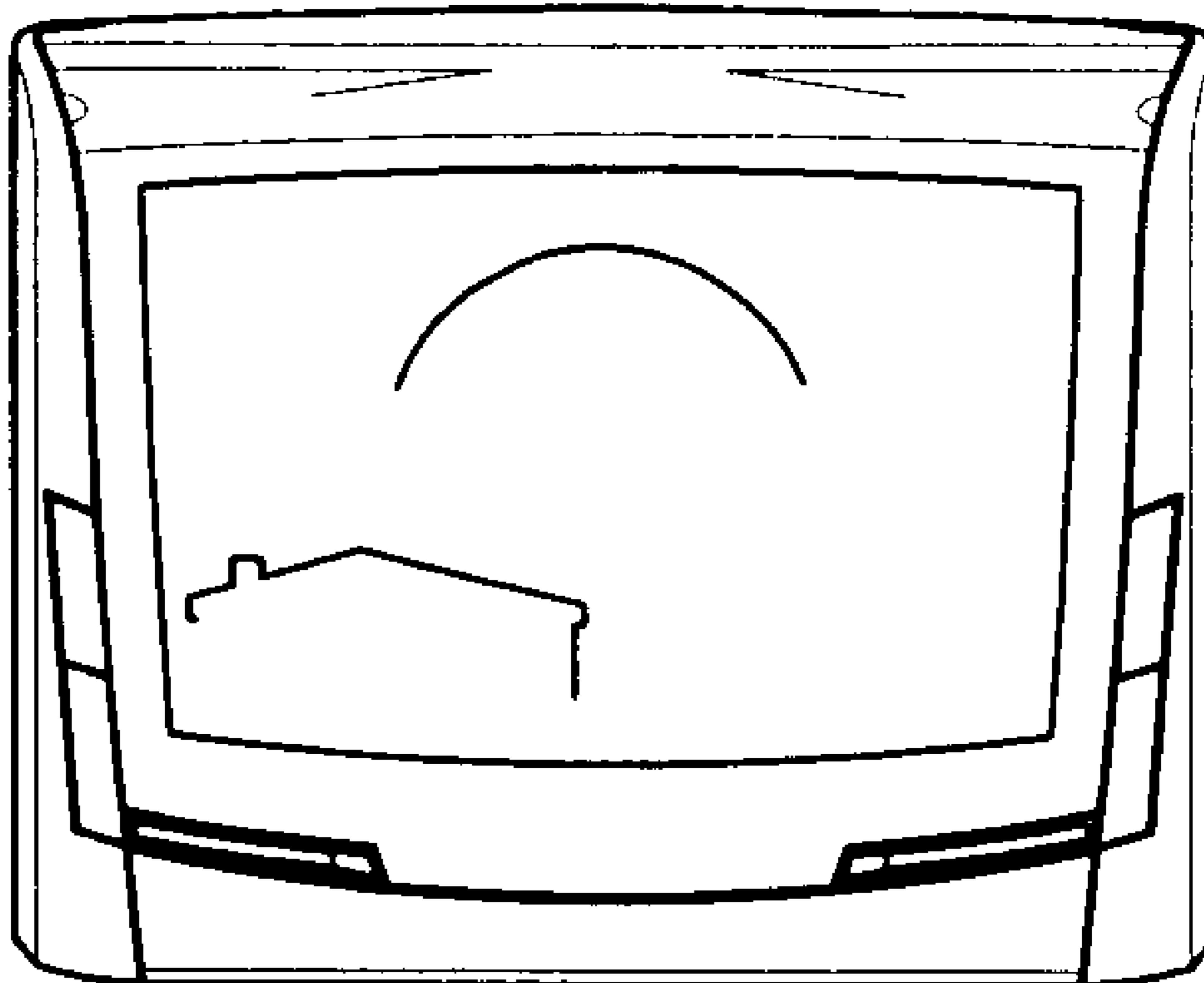
(56) **References Cited**

FIG. 5 is a perspective front, top and right side view of the barometer depicted in FIG. 1.

U.S. PATENT DOCUMENTS

D389,074 S * 1/1998 Chan D10/55

1 Claim, 1 Drawing Sheet



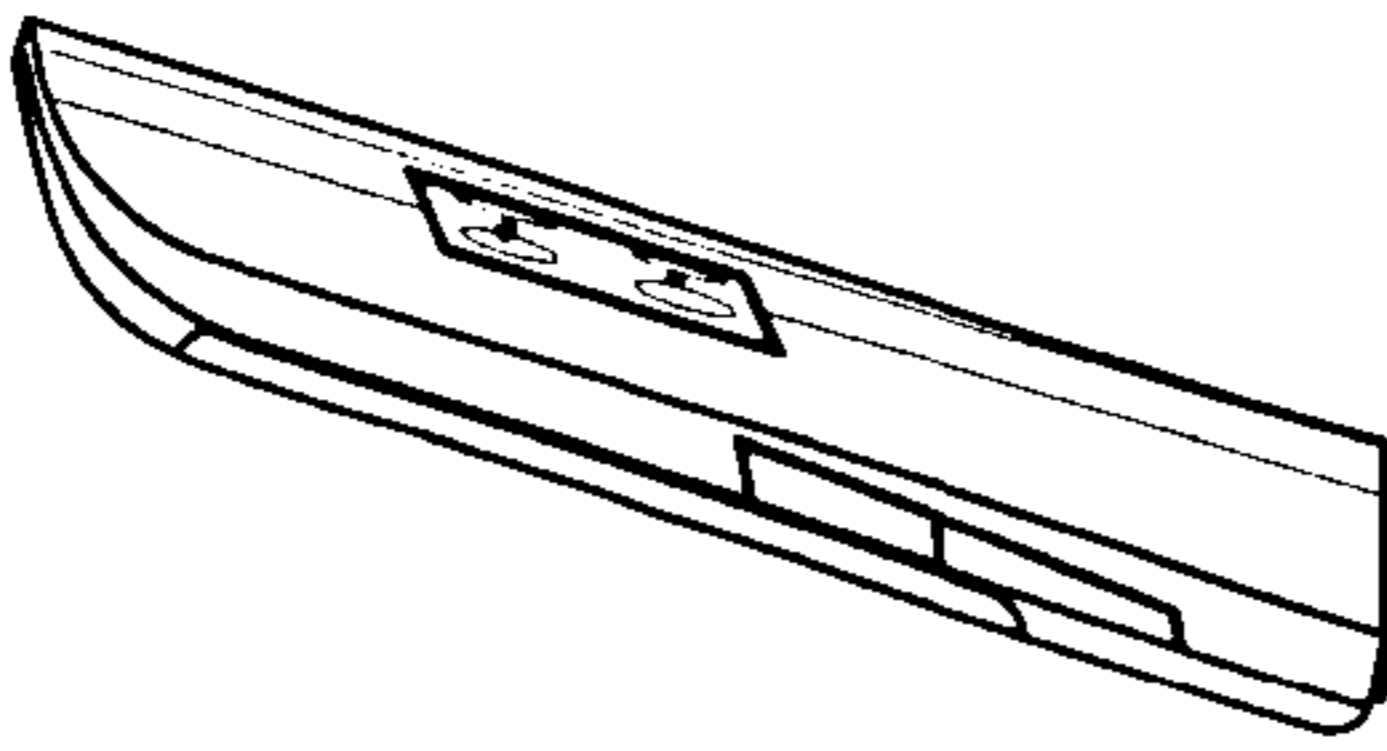


FIG. 3

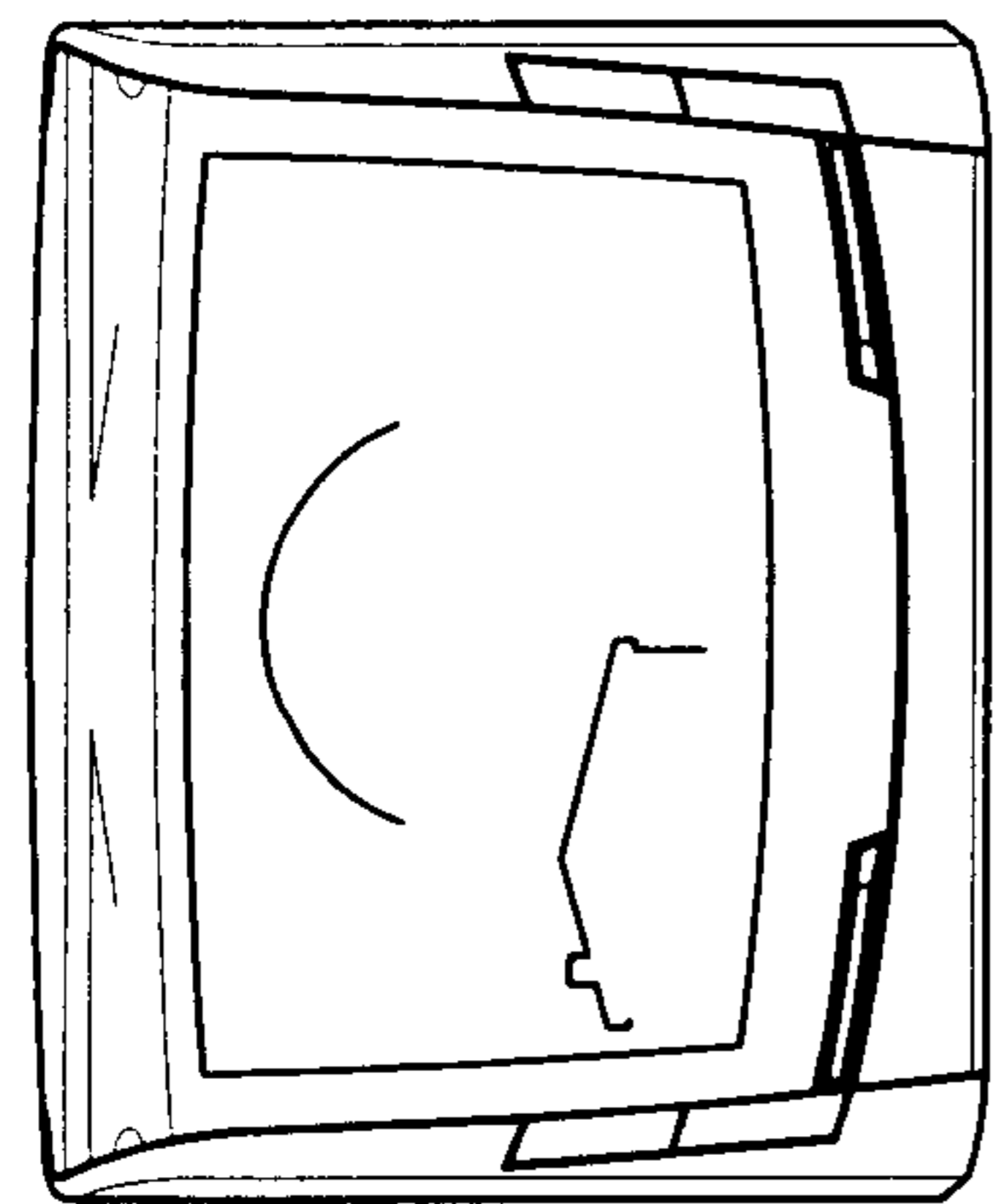


FIG. 1

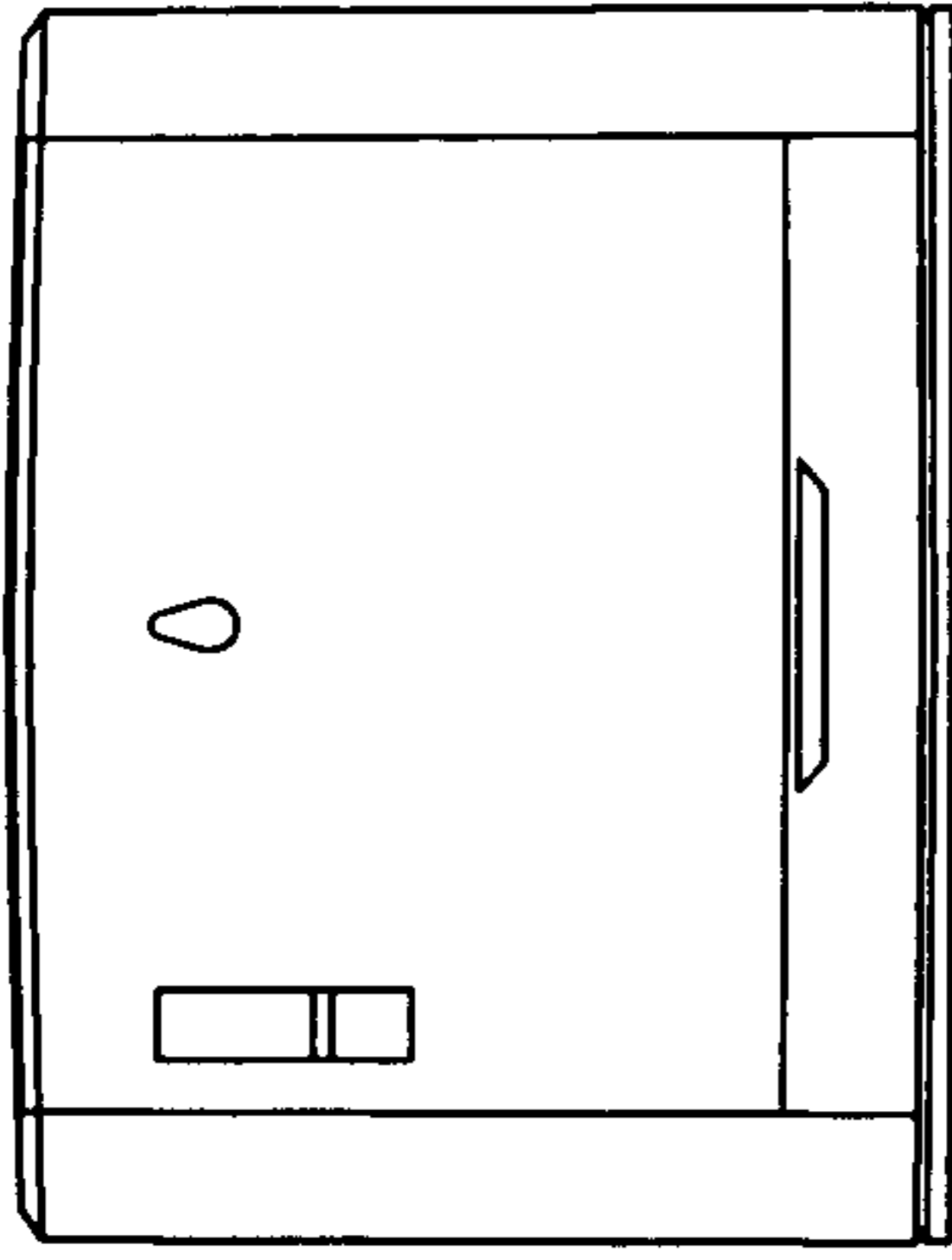


FIG. 4

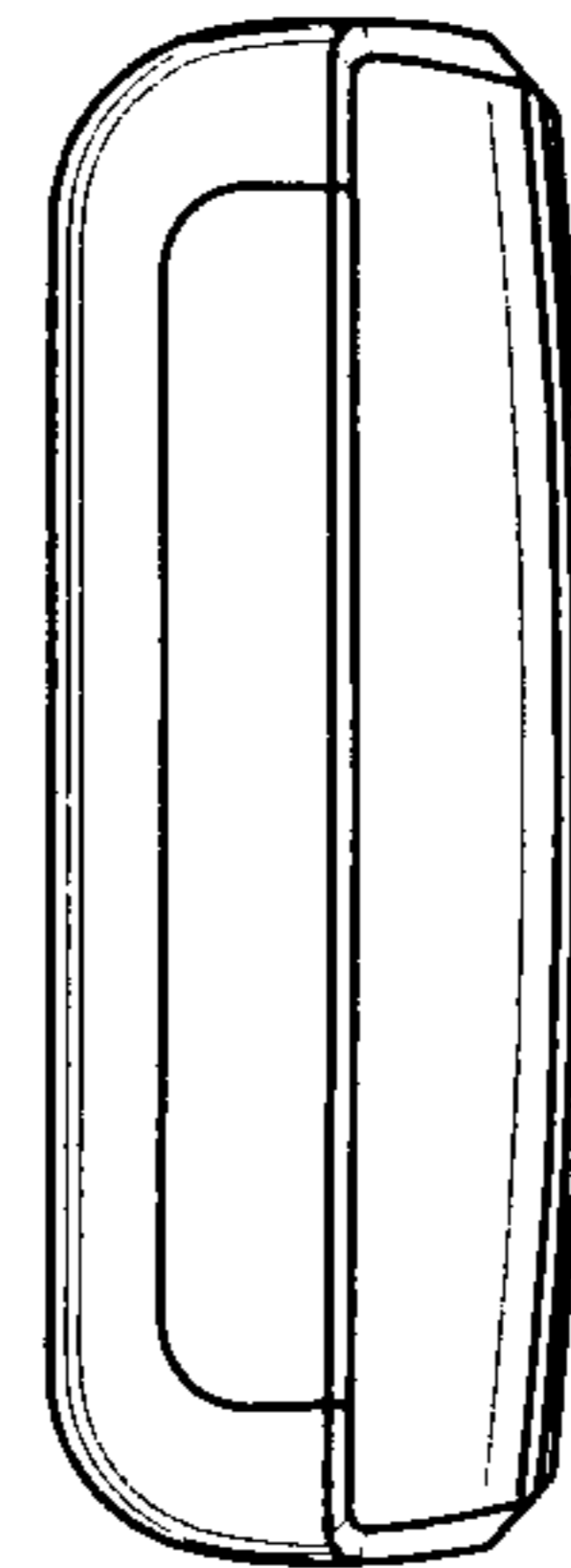


FIG. 2

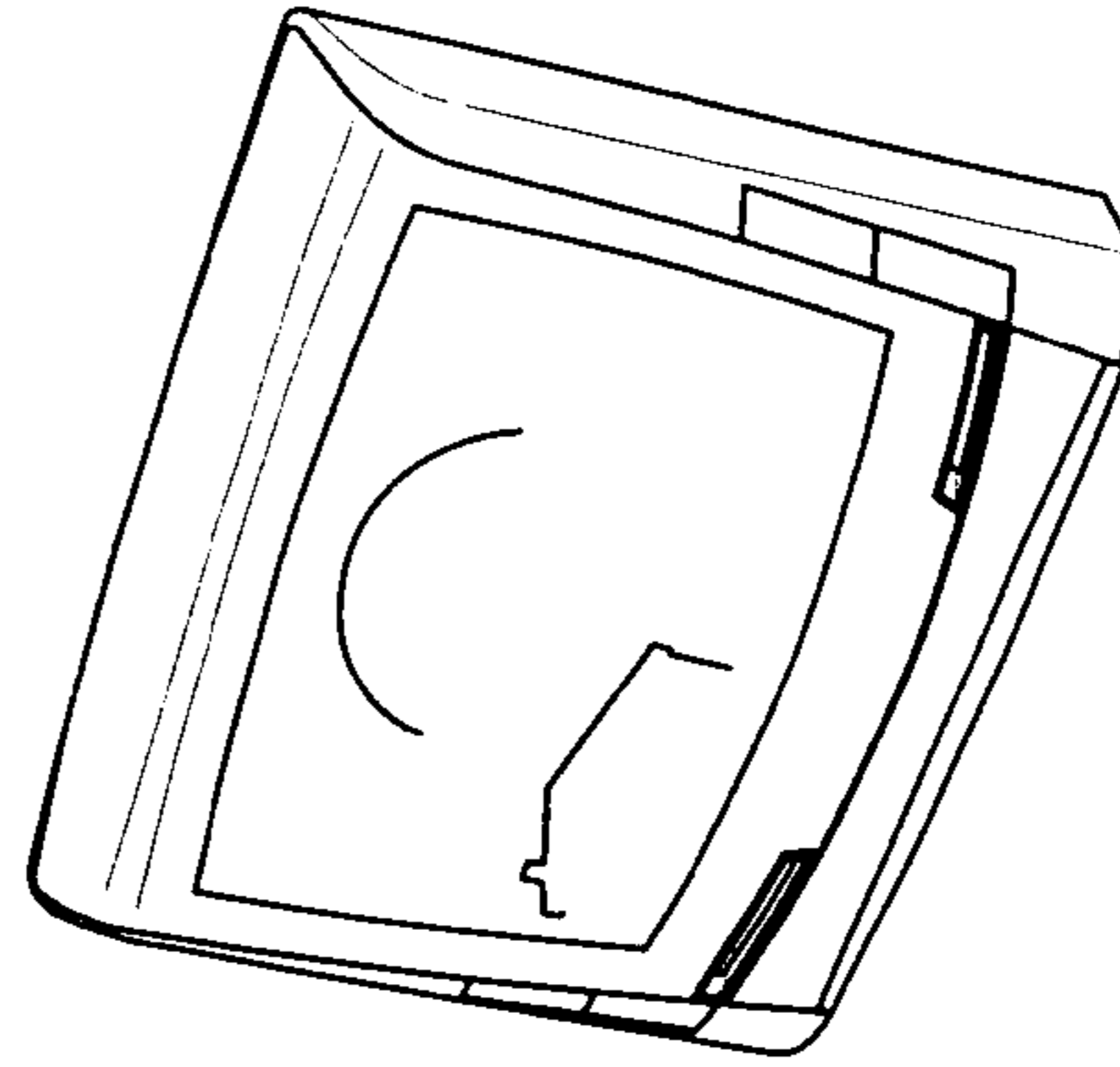


FIG. 5