



US00D527285S

(12) **United States Design Patent**
Burton

(10) **Patent No.:** **US D527,285 S**

(45) **Date of Patent:** **** Aug. 29, 2006**

(54) **PORTION OF A WATCH**

(75) **Inventor:** **Maximillian Philip Burton**, Portland,
OR (US)

(73) **Assignee:** **Nike, Inc.**, Beaverton, OR (US)

(**) **Term:** **14 Years**

(21) **Appl. No.:** **29/253,745**

(22) **Filed:** **Feb. 13, 2006**

(51) **LOC (8) Cl.** **10-02**

(52) **U.S. Cl.** **D10/38**

(58) **Field of Classification Search** D10/30-39,
D10/122-132; 368/276, 285, 281-283, 294,
368/295, 10, 21, 28-30, 82-84, 223, 226,
368/228, 232, 239-242, 250; D11/3-5; 224/164,
224/175; 63/1.13, 3, 3.1, 3.2, 7, 8, 9
See application file for complete search history.

(56) **References Cited**

U.S. PATENT DOCUMENTS

D44,047 S	5/1913	Worms	
D44,048 S	5/1913	Worms	
D53,025 S	2/1919	Weiner et al.	
3,866,406 A *	2/1975	Roberts	368/29
D237,784 S *	11/1975	Cruse	D10/38
D245,766 S	9/1977	Cruse	
4,060,971 A *	12/1977	O'Connor et al.	368/29
D251,829 S	5/1979	Sulek	
D252,858 S	9/1979	Perrin	
D264,946 S *	6/1982	Hirabayashi	D10/38
D271,472 S	11/1983	Malamoud	
5,416,953 A	5/1995	Hui	
D380,970 S	7/1997	Philips et al.	
D383,396 S *	9/1997	Houlihan	D10/30
D386,978 S *	12/1997	Wunderman	D10/32
D404,655 S	1/1999	Azegami	
D416,811 S	11/1999	Krauss et al.	
D434,333 S	11/2000	Riley et al.	
6,188,648 B1	2/2001	Olsen	
D454,505 S *	3/2002	Sato	D10/32
D455,969 S *	4/2002	Wilson	D10/32
D474,982 S *	5/2003	Wilson	D10/32
D474,984 S *	5/2003	Wilson	D10/37

D488,074 S	4/2004	Rousseau	
D490,716 S	6/2004	Peraldi	
D494,873 S	8/2004	Junod	
6,796,708 B1 *	9/2004	Kawamata et al.	368/282
D502,407 S	3/2005	Chodat	
D503,894 S *	4/2005	Tu	D10/30
D512,654 S	12/2005	Scheufele	
2005/0162984 A1 *	7/2005	Wilson	368/281
2005/0276164 A1	12/2005	Amron	

FOREIGN PATENT DOCUMENTS

JP 53069078 A * 6/1978 368/281

OTHER PUBLICATIONS

Jeweler's Circular Keystone, Sep. 1978, p. 131, watch labeled as "A".*

Jeweler's Circular Keystone, Jan., 1077, p. 117, item "A" watch.*

Swiss Watch and Jewelry Journal, Jan., 1977, p. 36, "Wylar" watch, second from right.*

* cited by examiner

Primary Examiner—Lucy Lieberman

(74) *Attorney, Agent, or Firm*—Banner & Witcoff, Ltd.

(57) **CLAIM**

The ornamental design for a portion of a watch, as shown and described.

DESCRIPTION

FIG. 1 is a perspective view of a portion of a watch showing my new design;

FIG. 2 is a front view thereof;

FIG. 3 is a rear view thereof with a portion of the disclaimed band removed for clarity;

FIG. 4 is a right side view thereof;

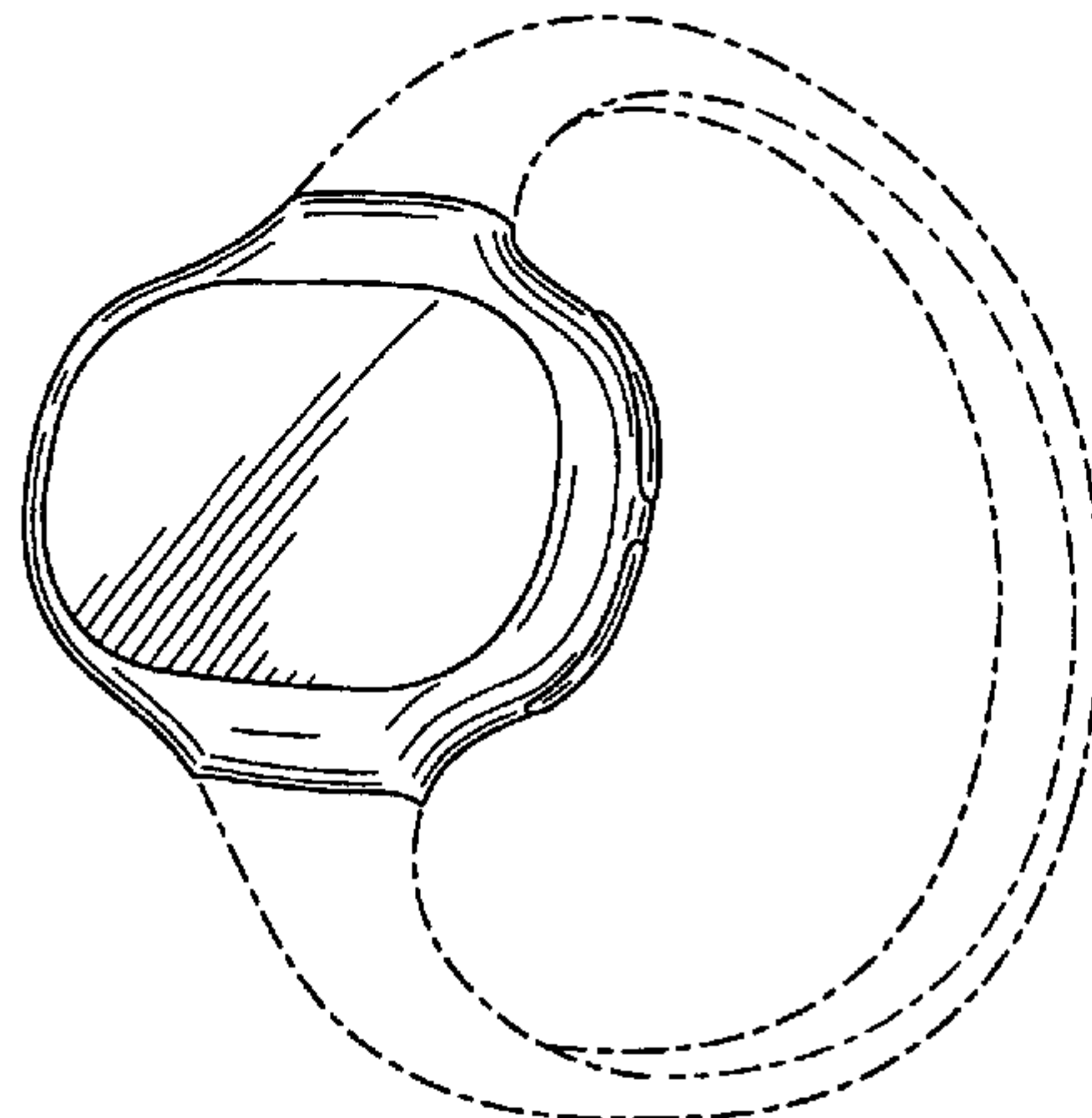
FIG. 5 is a left side view thereof;

FIG. 6 is a top view thereof; and,

FIG. 7 is a bottom view thereof.

The broken line showing of the remainder of the watch and band is for illustrative purposes only and forms no part of the claimed design.

1 Claim, 4 Drawing Sheets



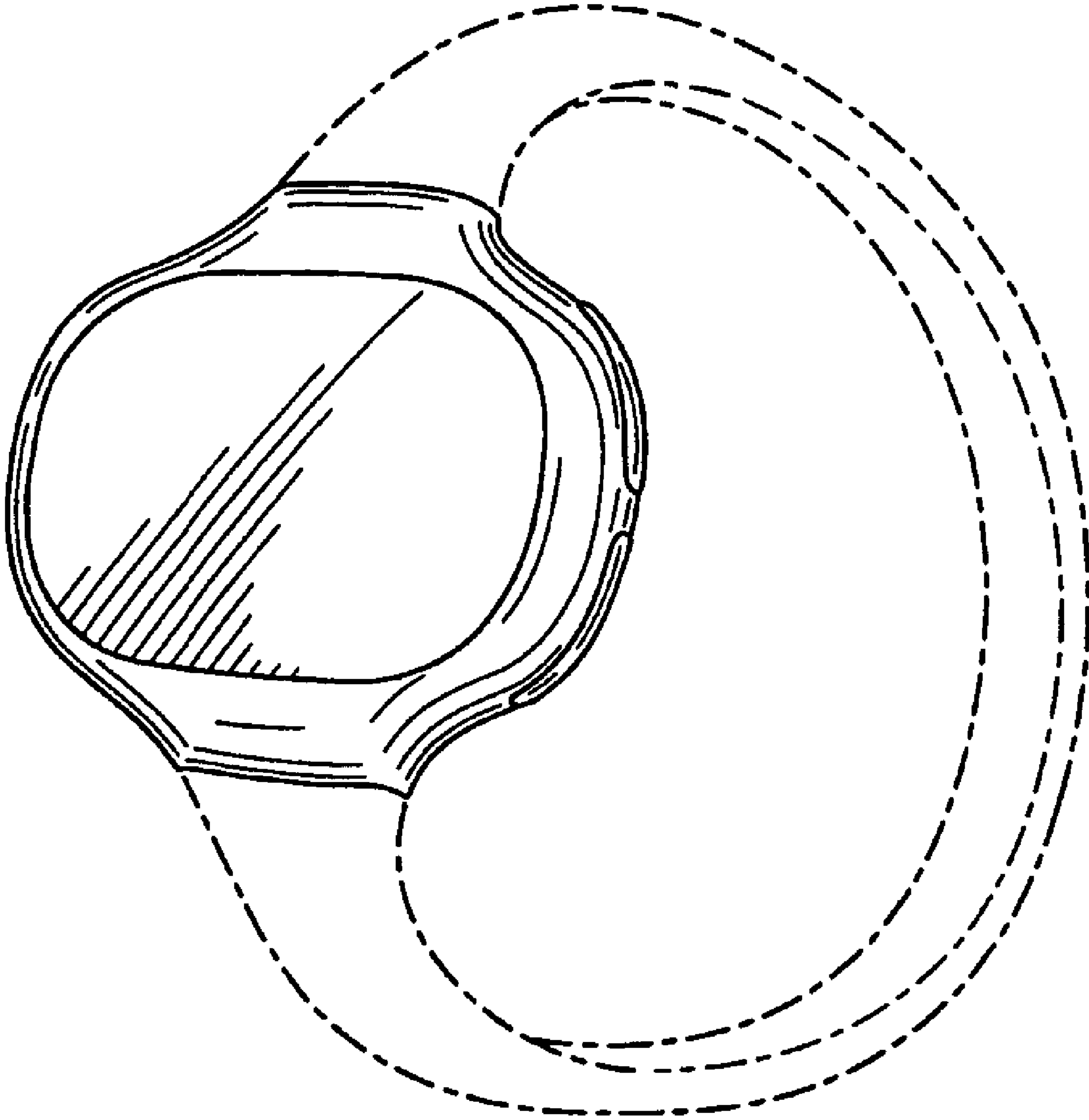


FIG. 1

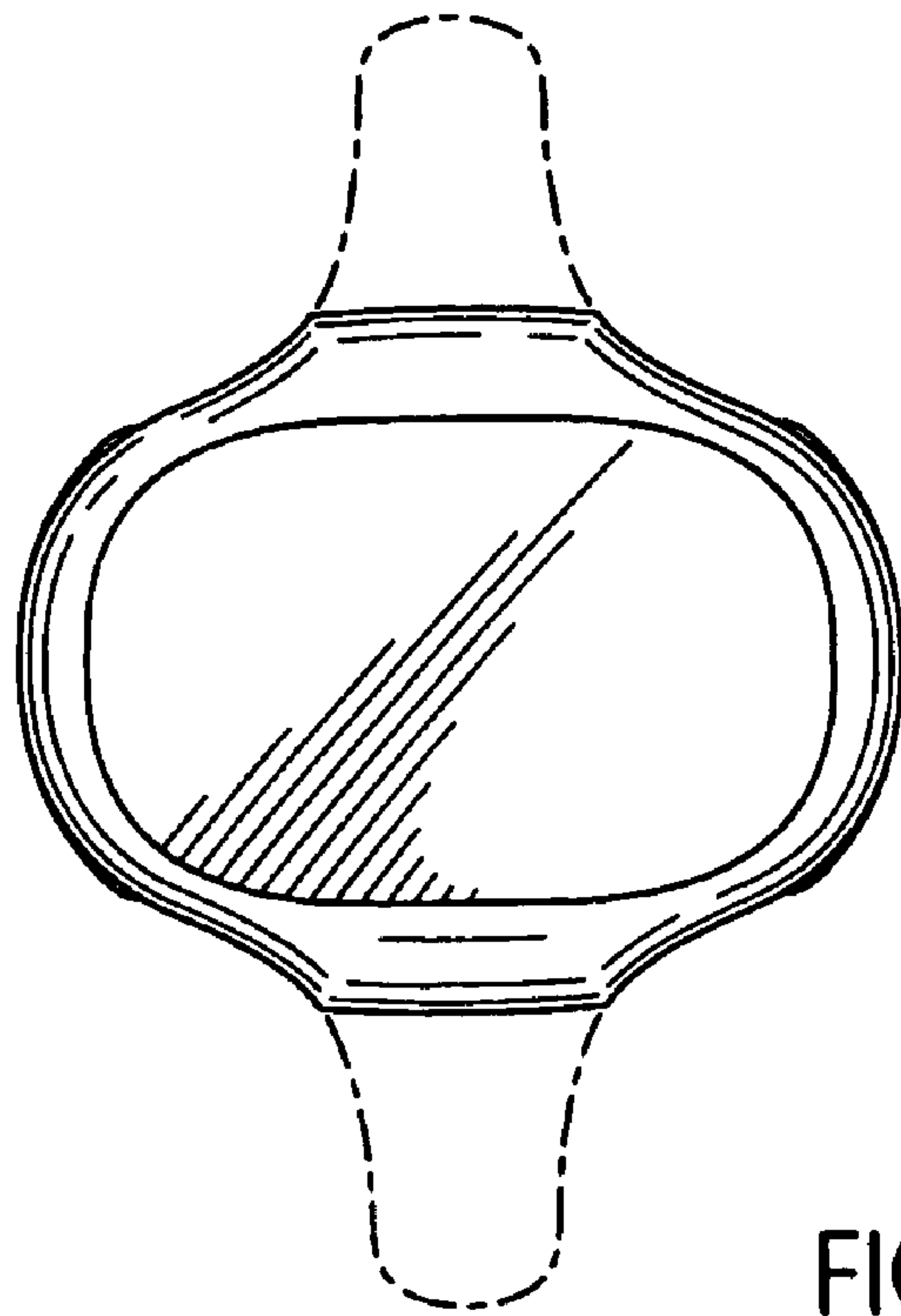


FIG. 2

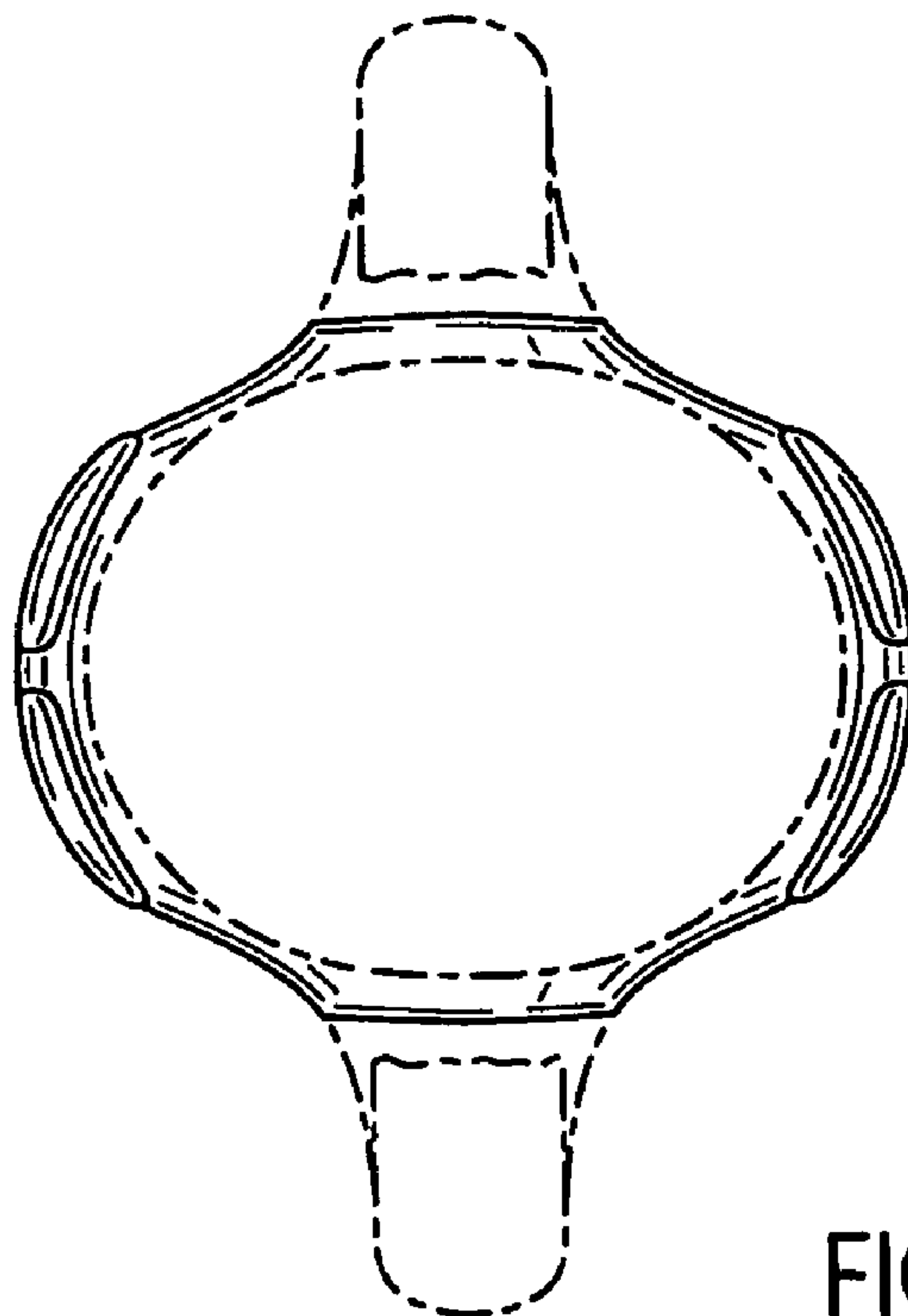


FIG. 3

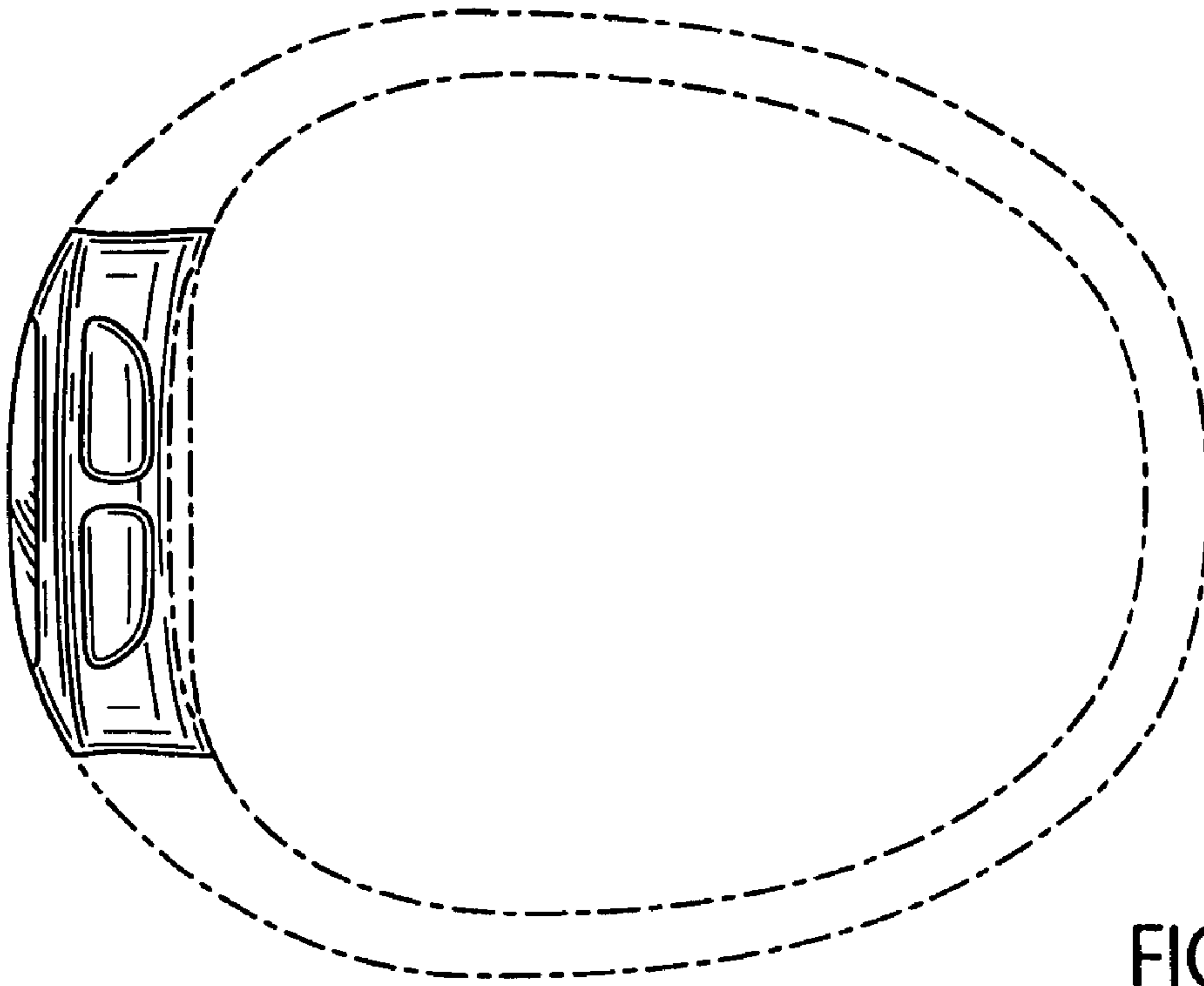


FIG. 4

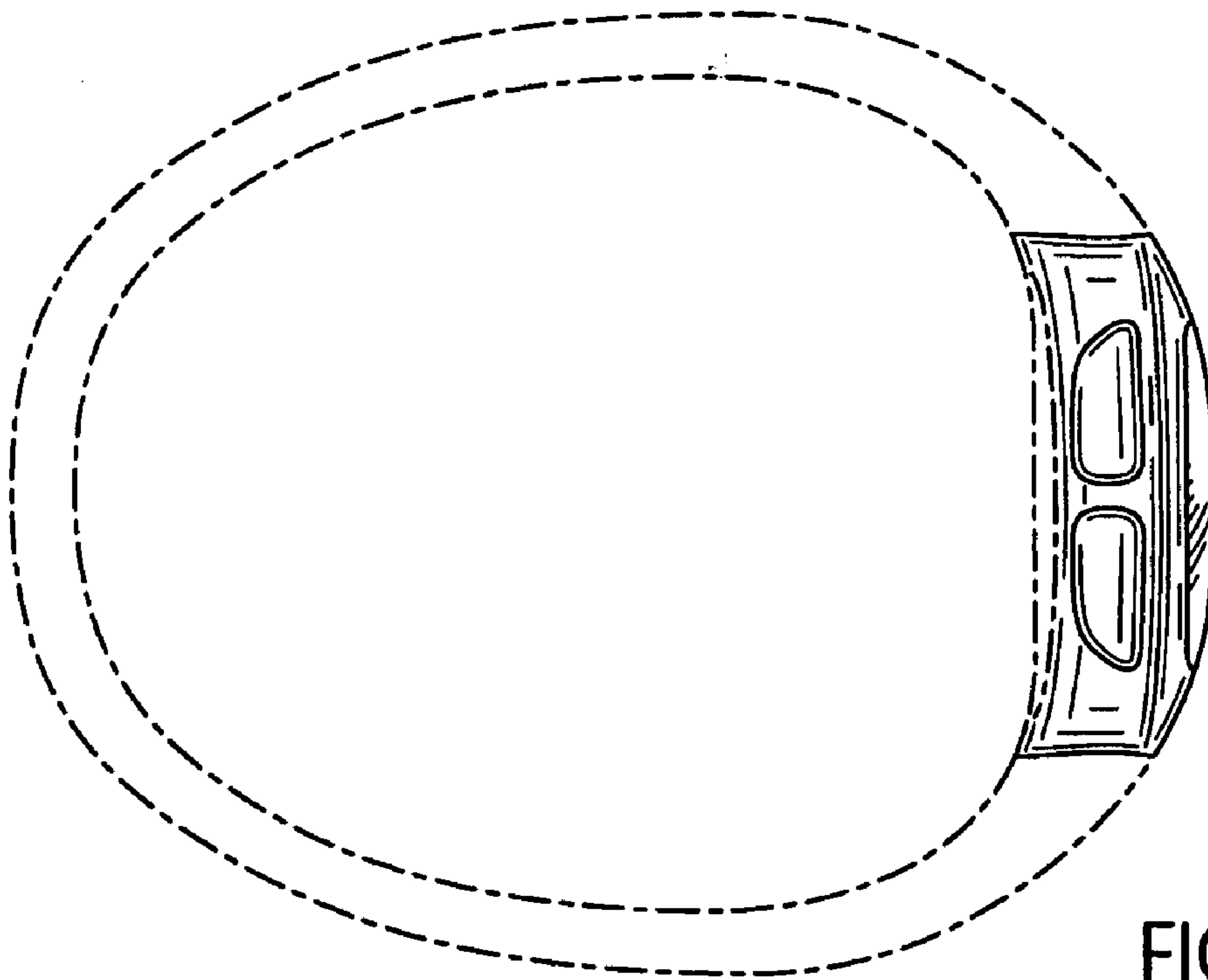


FIG. 5

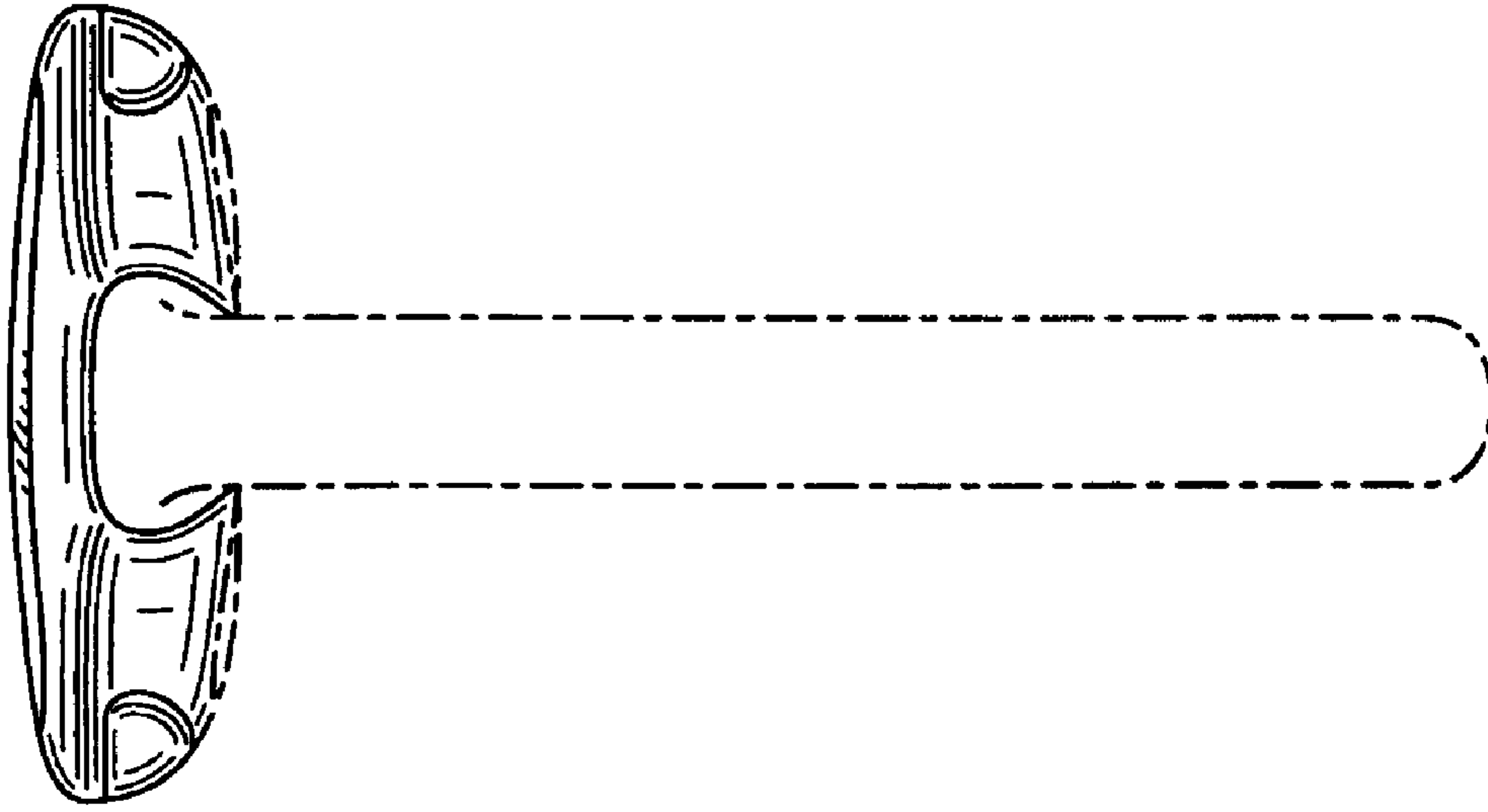


FIG. 7

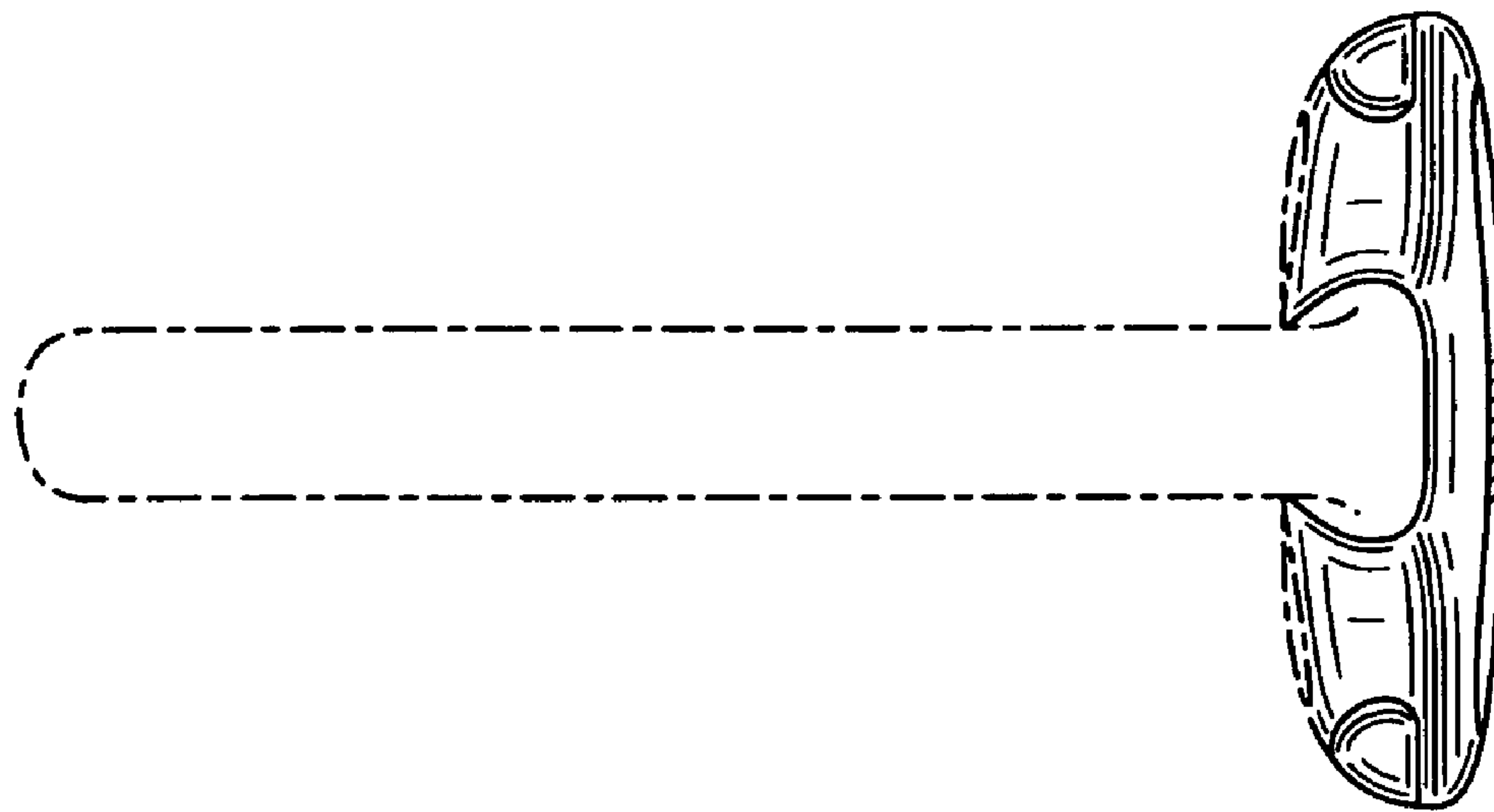


FIG. 6