



US00D527282S

(12) **United States Design Patent**
Nakai et al.

(10) **Patent No.:** **US D527,282 S**

(45) **Date of Patent:** **** Aug. 29, 2006**

(54) **WATCH CASE**

(75) Inventors: **Toshio Nakai**, Oume (JP); **Shunya Shiraishi**, Tachikawa (JP)

(73) Assignee: **Casio Keisanki Kabushiki Kaisha**, Tokyo (JP)

(**) Term: **14 Years**

(21) Appl. No.: **29/224,137**

(22) Filed: **Feb. 25, 2005**

(51) **LOC (8) Cl.** **10-02**

(52) **U.S. Cl.** **D10/38**

(58) **Field of Classification Search** D10/30-39,
D10/122-132; 368/276, 281, 282, 285, 294,
368/295, 316, 317, 21-27, 28-30, 82-84,
368/226, 228, 232, 250, 239-242, 10, 223
See application file for complete search history.

(56) **References Cited**

U.S. PATENT DOCUMENTS

- D361,529 S * 8/1995 Sakai et al. D10/39
- D418,430 S * 1/2000 Moriai D10/30
- D426,780 S * 6/2000 Goto et al. D10/30

- D434,988 S * 12/2000 Kojima D10/30
- D442,500 S * 5/2001 Moriai D10/30
- D456,276 S * 4/2002 Shiraishi D10/30
- D489,999 S * 5/2004 Yamamoto D10/30
- D504,829 S * 5/2005 Moriai D10/30
- D509,216 S * 9/2005 Yamamoto et al. D14/344
- D514,454 S * 2/2006 Sekiguchi D10/30

* cited by examiner

Primary Examiner—Lucy Lieberman

(74) *Attorney, Agent, or Firm*—Frishauf, Holtz Goodman & Chick P.C.

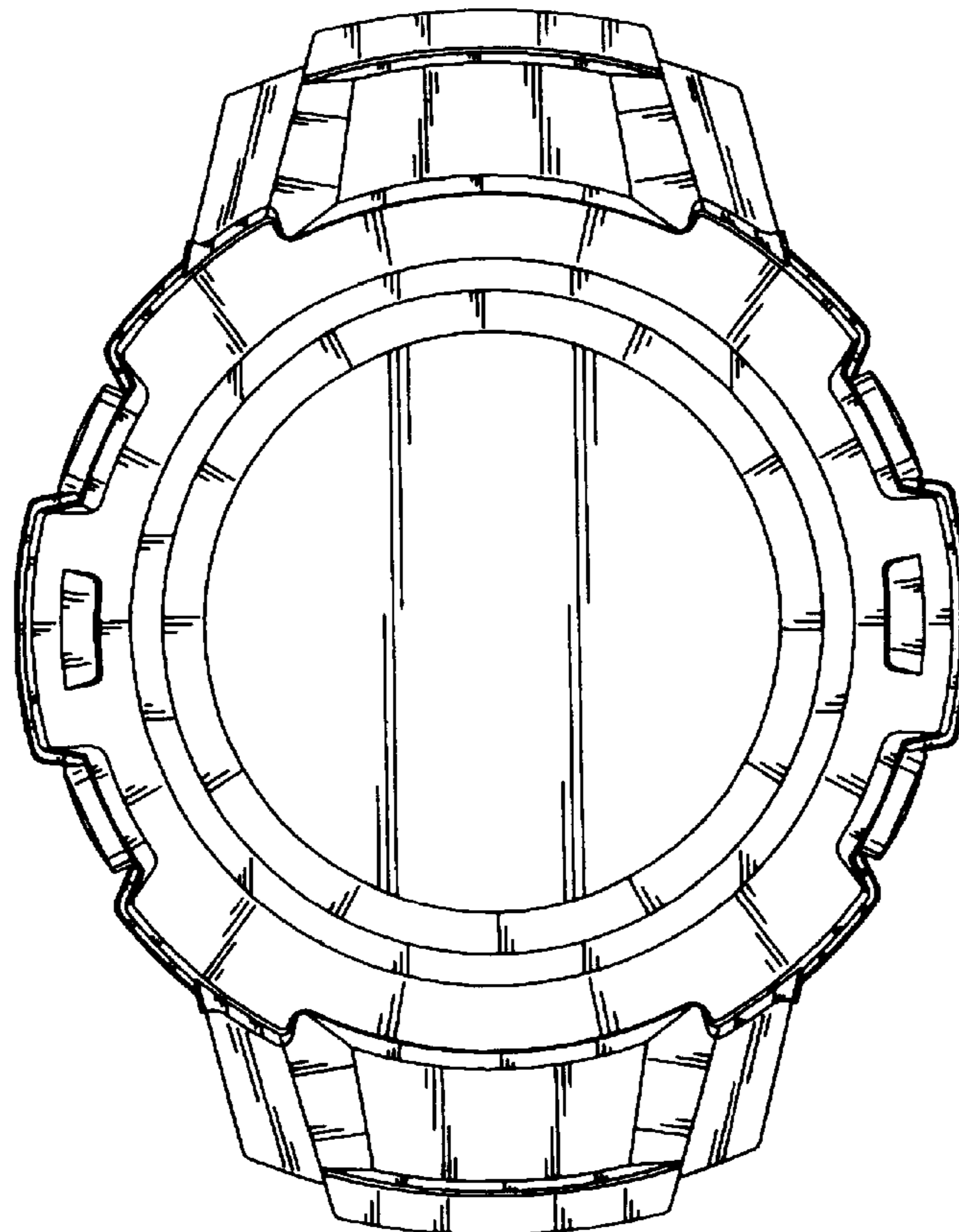
(57) **CLAIM**

The ornamental design for a watch case, as shown.

DESCRIPTION

FIG. 1 is a reduced scale front, right side, bottom perspective view of a watch case showing our new design; FIG. 2 is a front elevational view thereof; FIG. 3 is a rear elevational view thereof; FIG. 4 is a left side view thereof; FIG. 5 is a right side view thereof; FIG. 6 is a top plan view thereof; and, FIG. 7 is a bottom plan view thereof.

1 Claim, 6 Drawing Sheets



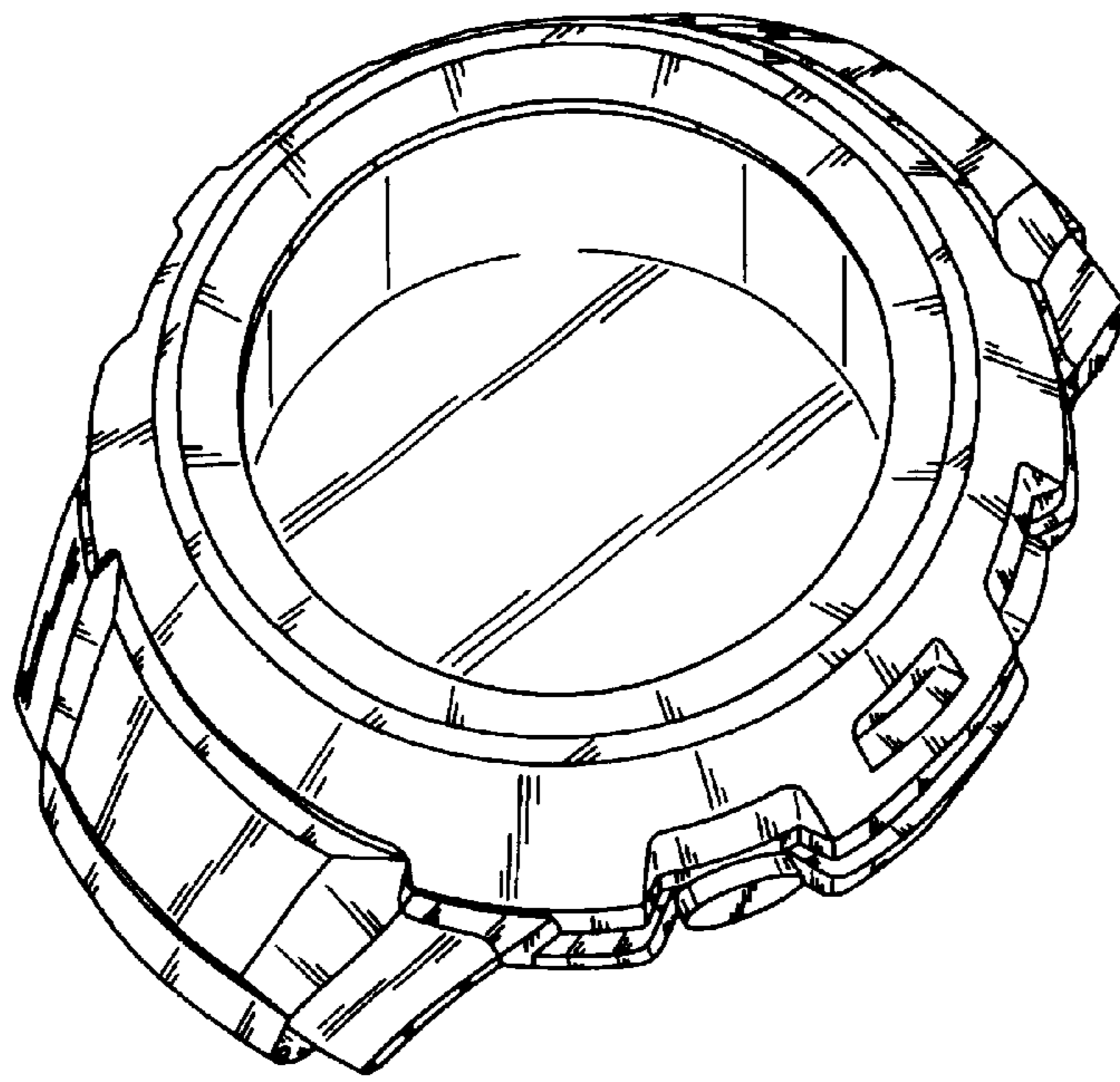


FIG. 1

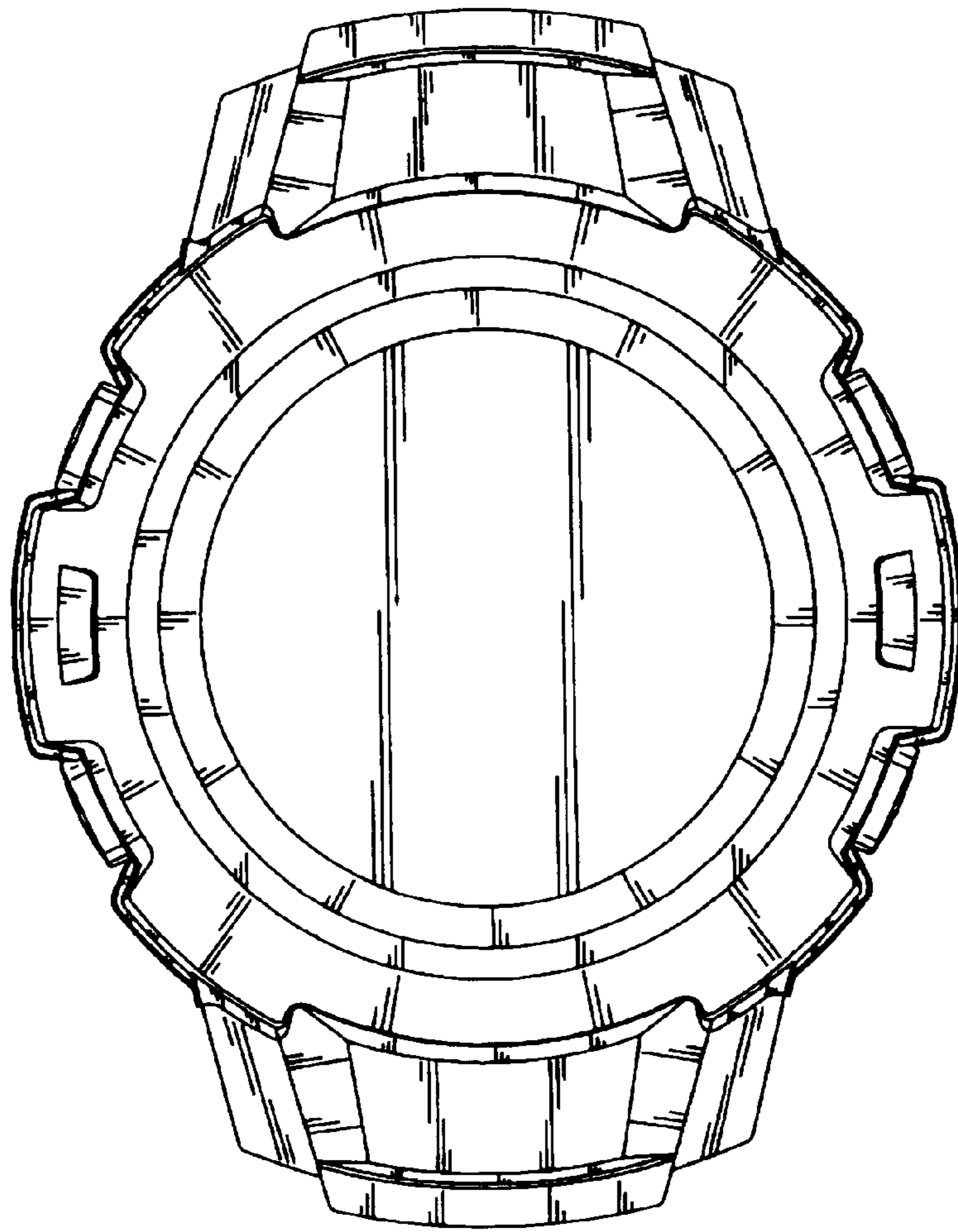


FIG. 2

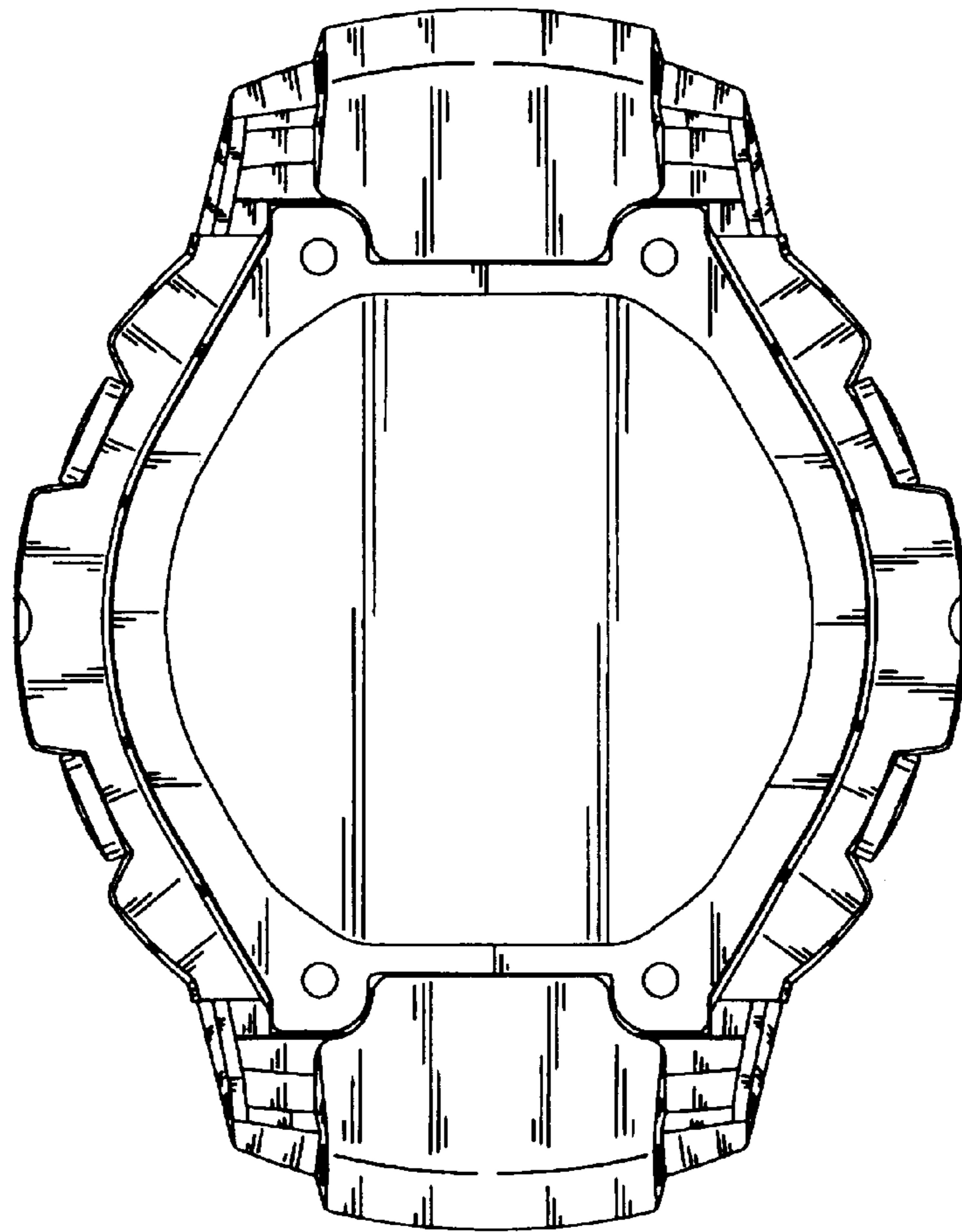


FIG. 3

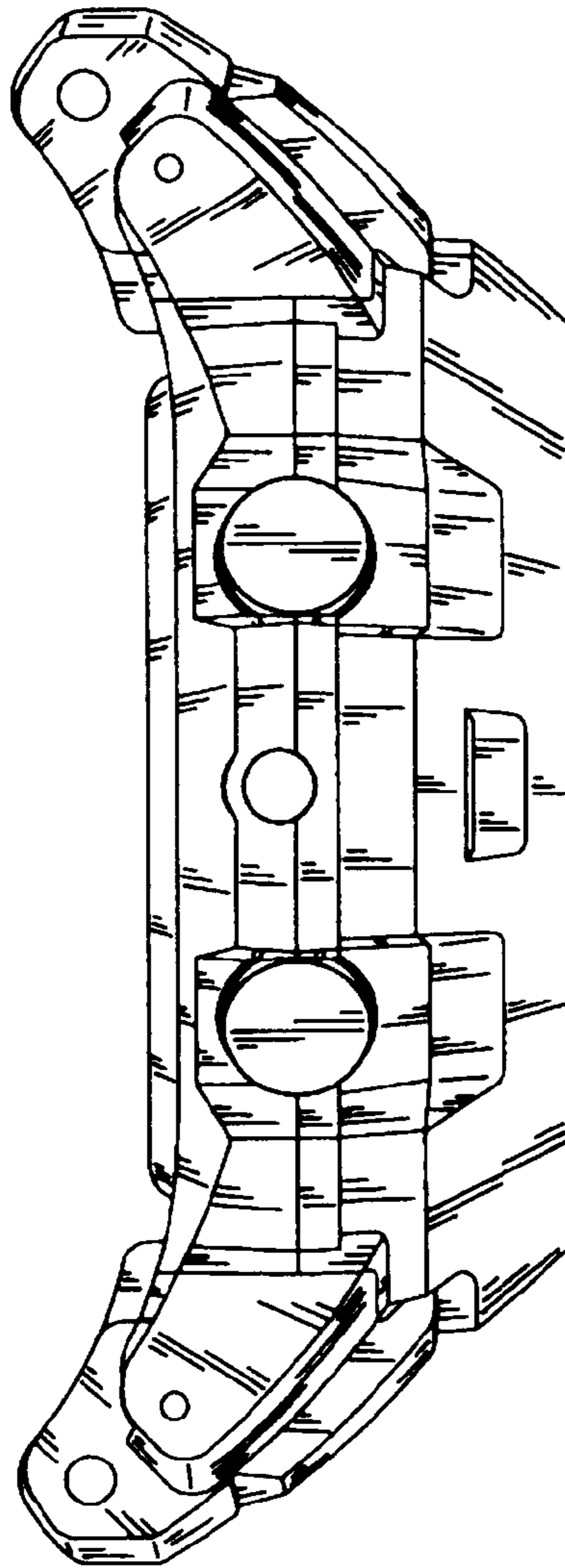


FIG. 4

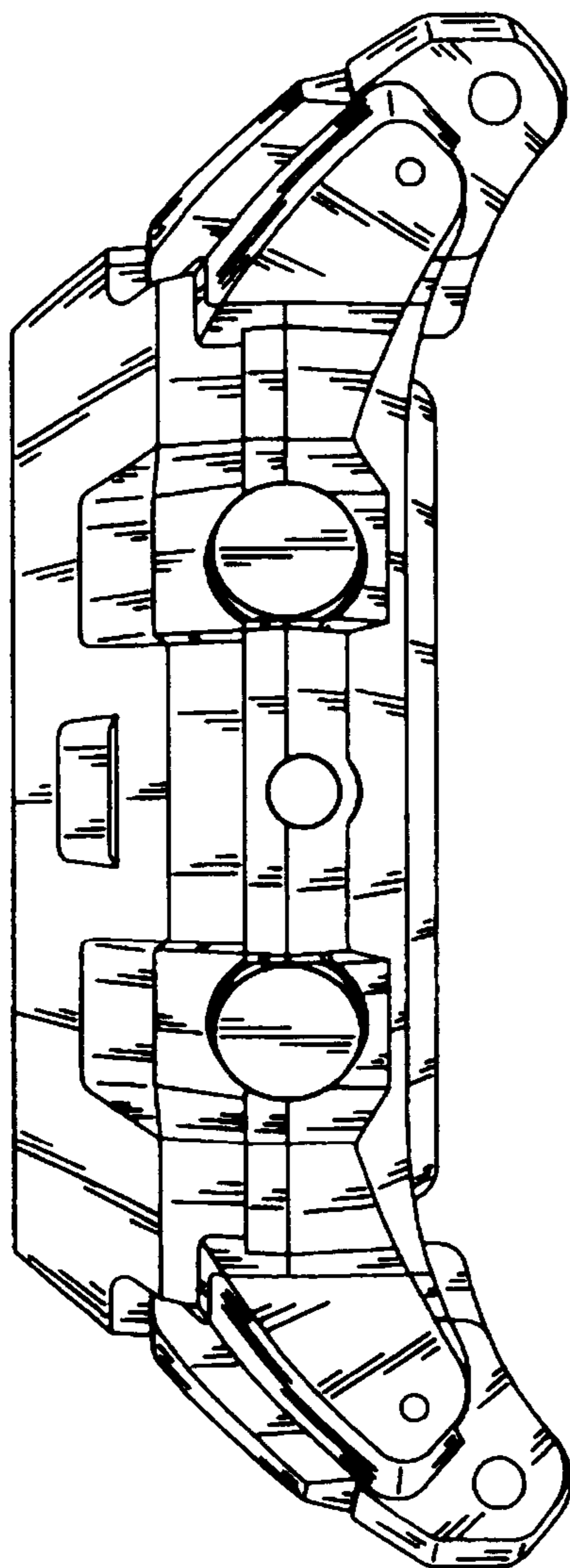


FIG. 5

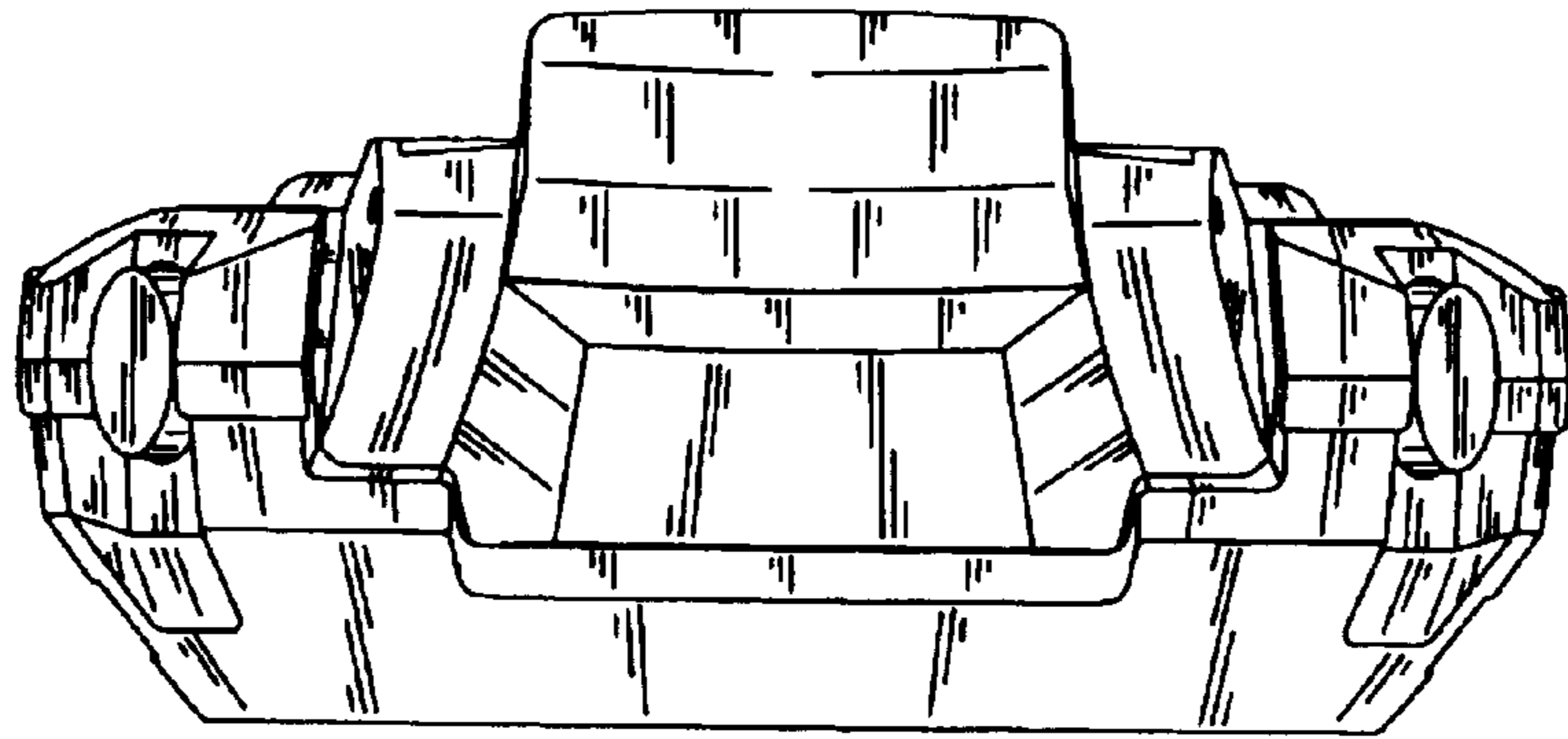


FIG. 6

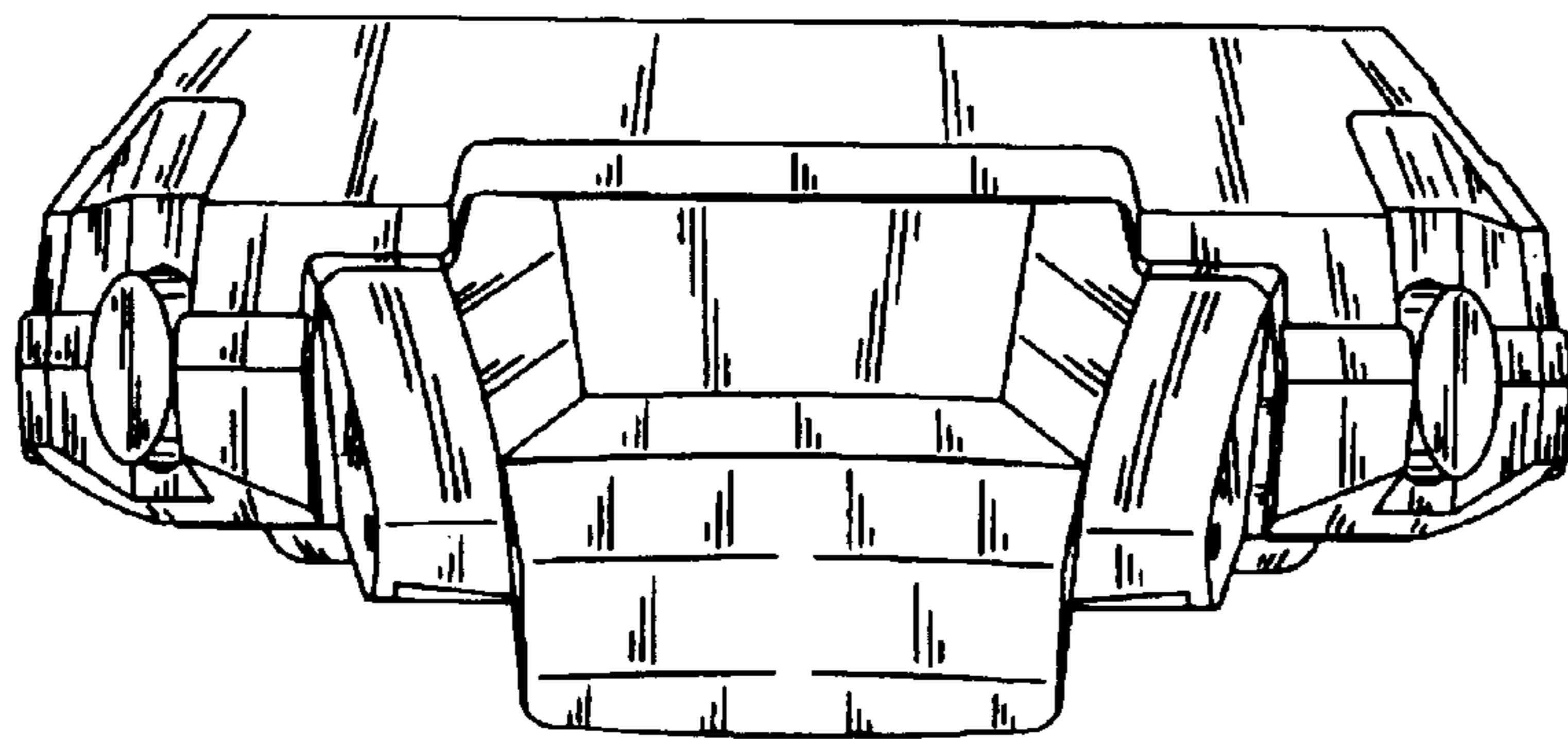


FIG. 7