



US00D527278S

(12) **United States Design Patent**  
**Ueda**

(10) **Patent No.:** **US D527,278 S**

(45) **Date of Patent:** **\*\* Aug. 29, 2006**

(54) **FLEXIBLE POUCH**

(75) Inventor: **Osao Ueda**, Osaka (JP)

(73) Assignee: **Fuji Seal International, Inc.** (JP)

(\*\*) Term: **14 Years**

(21) Appl. No.: **29/227,551**

(22) Filed: **Apr. 13, 2005**

**Related U.S. Application Data**

(62) Division of application No. 29/197,599, filed on Jan. 16, 2004.

(30) **Foreign Application Priority Data**

Jul. 18, 2003 (JP) ..... 2003-020889  
Jul. 18, 2003 (JP) ..... 2003-020895  
Jul. 18, 2003 (JP) ..... 2003-020896

(51) **LOC (8) Cl.** ..... **09-01**

(52) **U.S. Cl.** ..... **D9/702; D9/708; D9/710**

(58) **Field of Classification Search** ..... D7/317,  
D7/319, 321; D9/434, 522, 526-529, 531,  
D9/696, 697, 702, 703, 708, 714; 215/385,  
215/398; 222/452, 454, 456, 476, 771  
See application file for complete search history.

(56) **References Cited**

**U.S. PATENT DOCUMENTS**

D291,491 S \* 8/1987 Larkin ..... D24/118  
D307,385 S \* 4/1990 Kimura ..... D9/697  
5,100,030 A \* 3/1992 Roggenburg et al. .... 222/181.2  
D409,481 S \* 5/1999 Smith et al. .... D9/697  
D412,665 S \* 8/1999 Smith et al. .... D9/434  
D435,440 S \* 12/2000 Croft et al. .... D9/696  
D436,030 S \* 1/2001 Tedeschi et al. .... D9/703  
6,220,702 B1 \* 4/2001 Nakamura et al. .... 347/86  
D446,445 S \* 8/2001 Croft et al. .... D9/696  
D453,295 S \* 2/2002 Bell et al. .... D9/710  
D455,645 S \* 4/2002 Bell et al. .... D9/697

D457,318 S \* 5/2002 Borland et al. .... D3/303  
D474,682 S \* 5/2003 Berman ..... D9/708  
D474,683 S \* 5/2003 Berman ..... D9/708  
D489,603 S \* 5/2004 Berman ..... D9/700  
D490,303 S \* 5/2004 Berman ..... D9/708  
D497,544 S \* 10/2004 Berman ..... D9/707

**FOREIGN PATENT DOCUMENTS**

JP 2003-020889 \* 7/2003  
JP 2003-020895 \* 7/2003  
JP 2003-020896 \* 7/2003

\* cited by examiner

*Primary Examiner*—Stella Reid

*Assistant Examiner*—Jean E. McCormick

(74) *Attorney, Agent, or Firm*—Osha Liang LLP

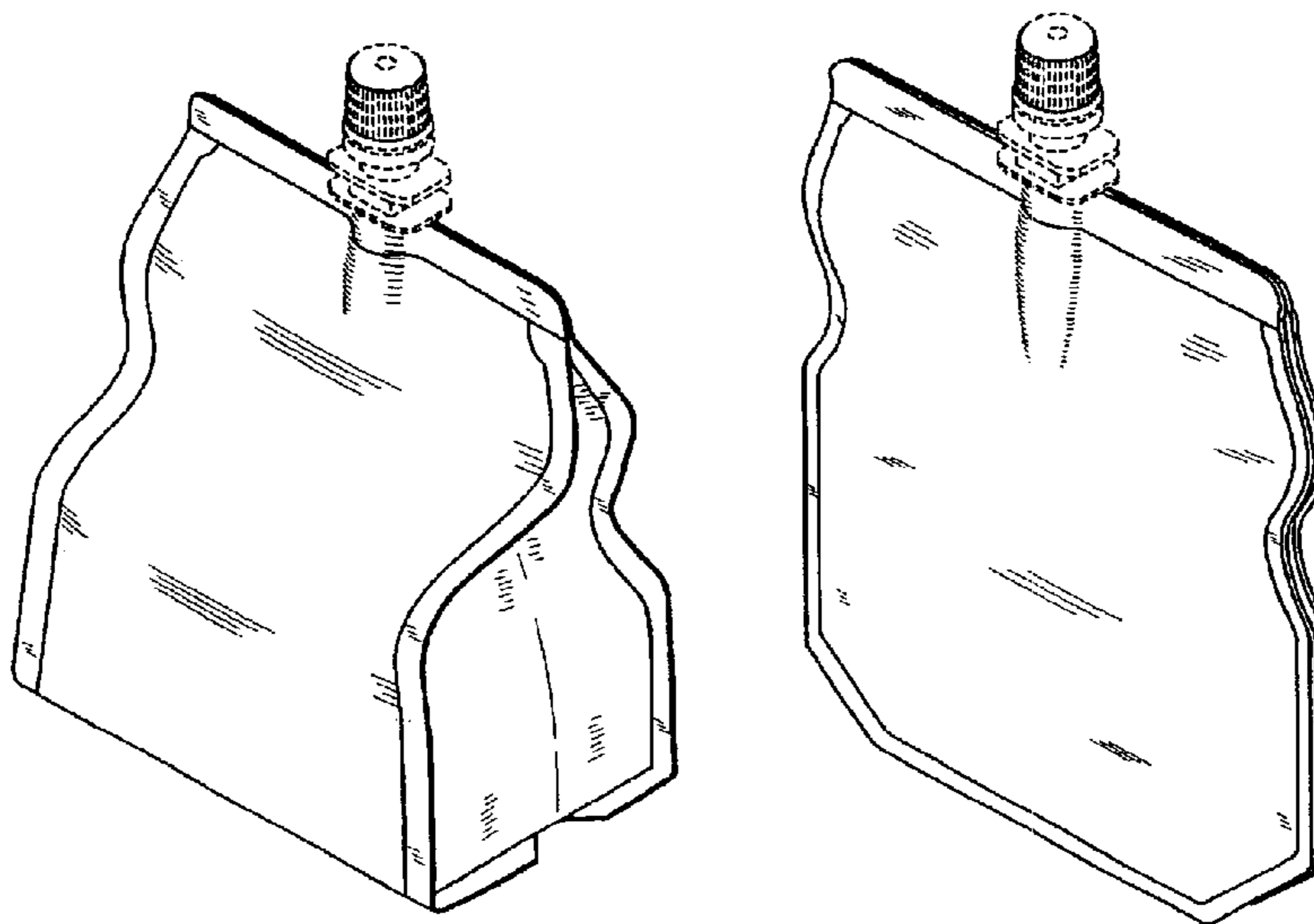
(57) **CLAIM**

The ornamental design for a flexible pouch, as shown and described.

**DESCRIPTION**

FIG. 1 is a perspective view of a flexible pouch in expanded condition according to my new design;  
FIG. 2 is a front view thereof;  
FIG. 3 is a rear view thereof;  
FIG. 4 is a bottom view thereof;  
FIG. 5 is a top view thereof;  
FIG. 6 is a left side view thereof;  
FIG. 7 is a right side view thereof;  
FIG. 8 is a perspective view of a flexible pouch in a collapsed condition;  
FIG. 9 is a front view thereof, the rear view is a mirror image thereof;  
FIG. 10 is a bottom view thereof;  
FIG. 11 is a top view thereof;  
FIG. 12 is a left side view thereof; and,  
FIG. 13 is a right side view thereof.  
The elements shown in broken lines are for illustrative purposes only and form no part of the claimed design.

**1 Claim, 3 Drawing Sheets**



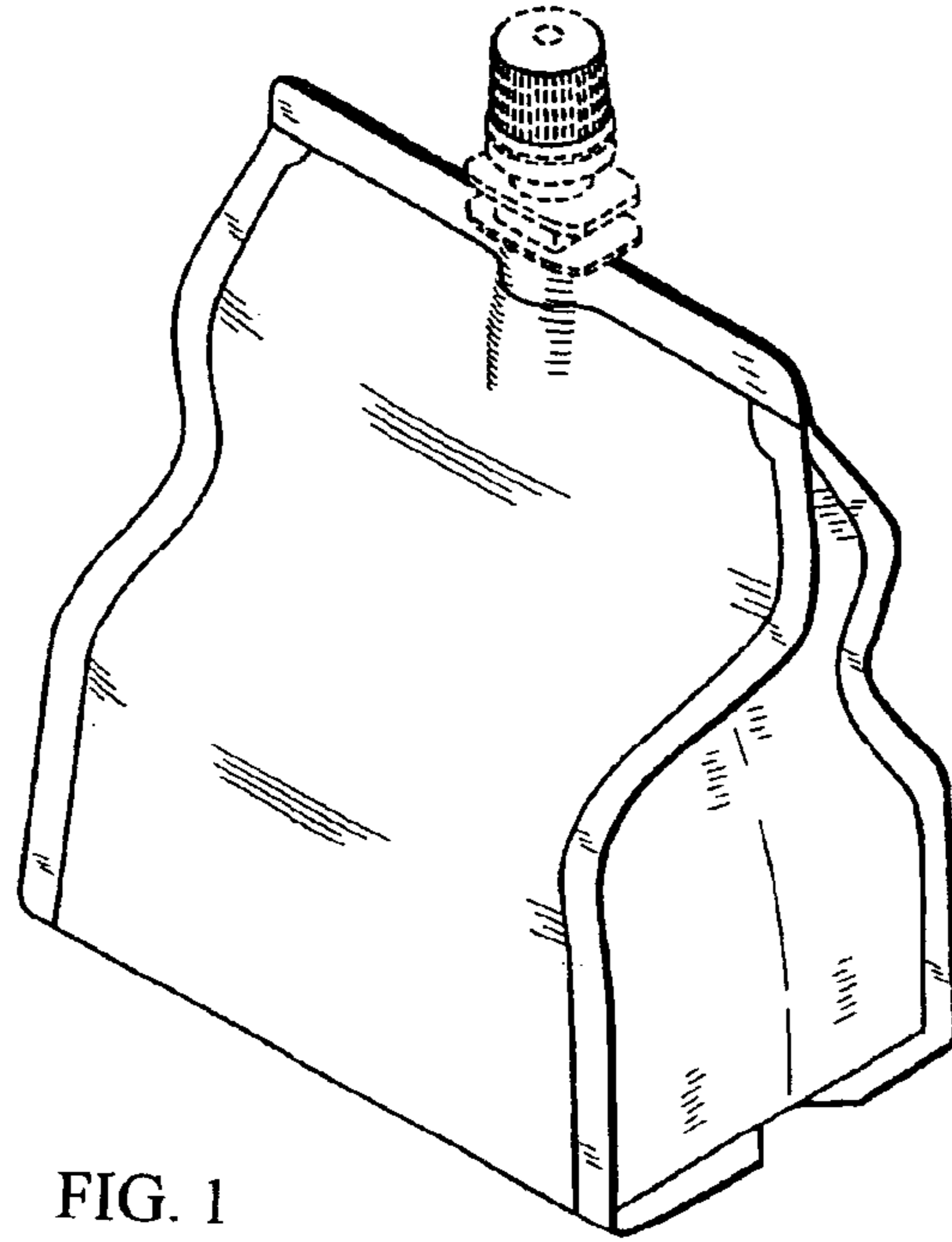


FIG. 1

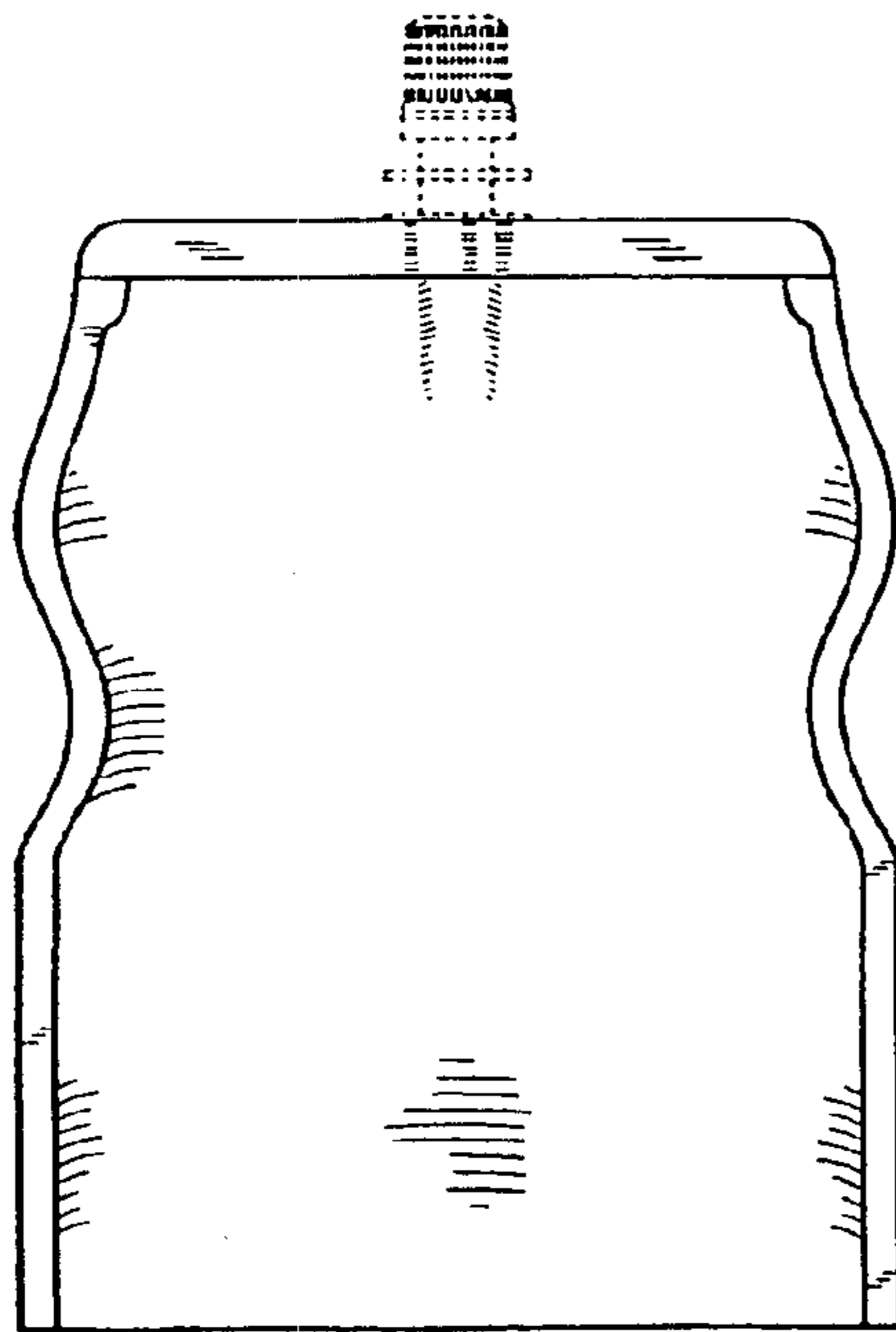


FIG. 2

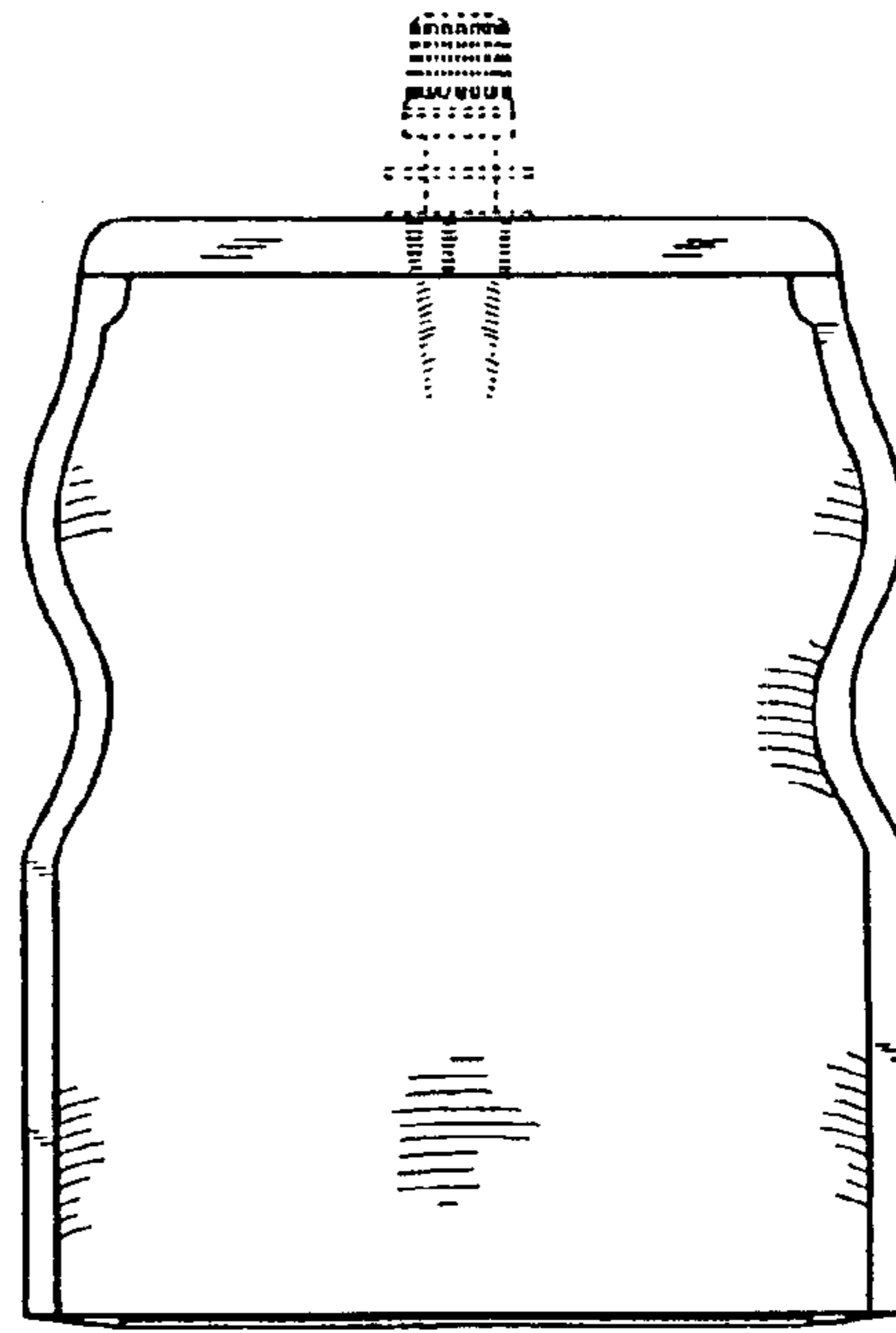


FIG. 3



FIG. 4

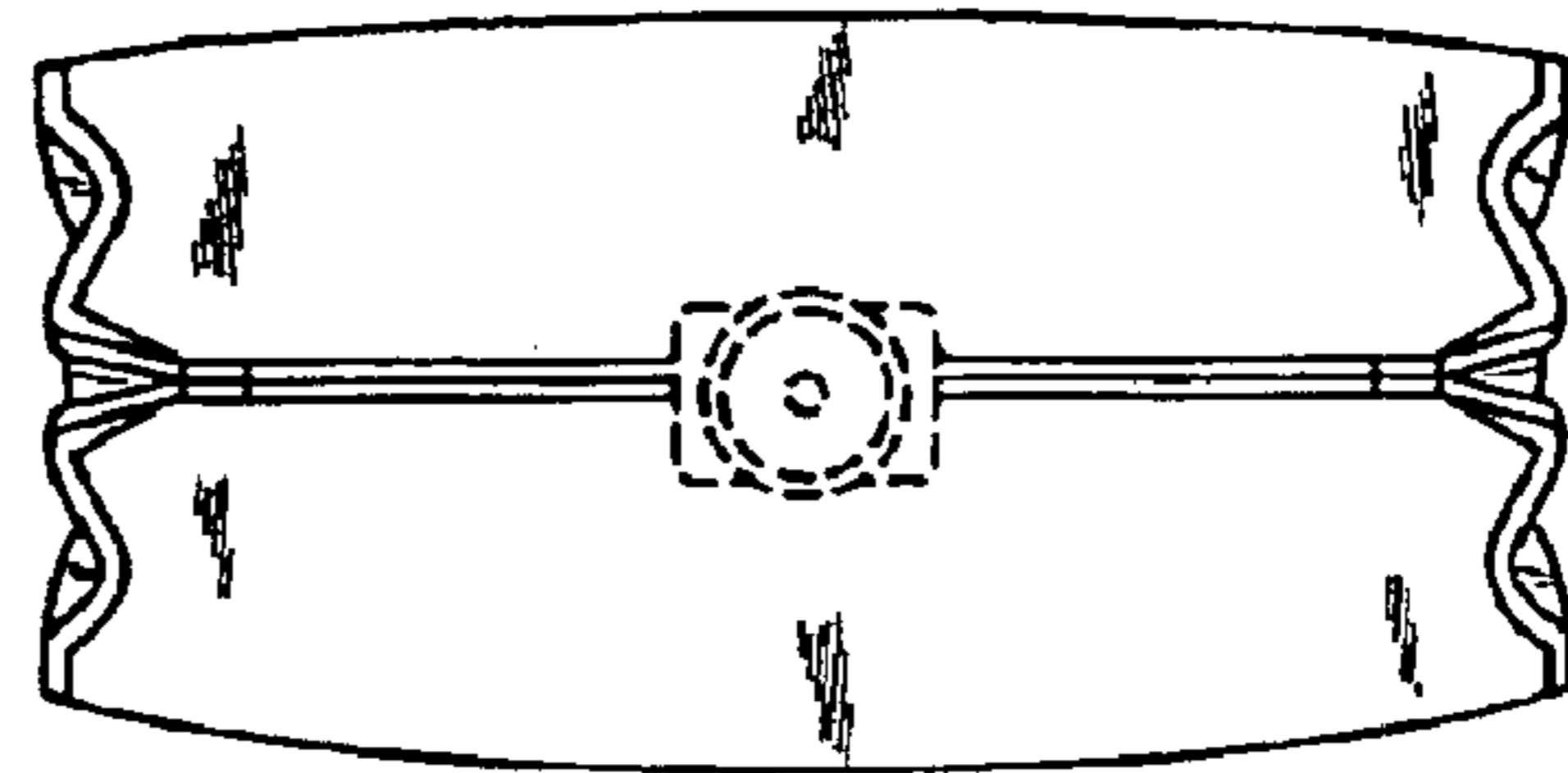


FIG. 5

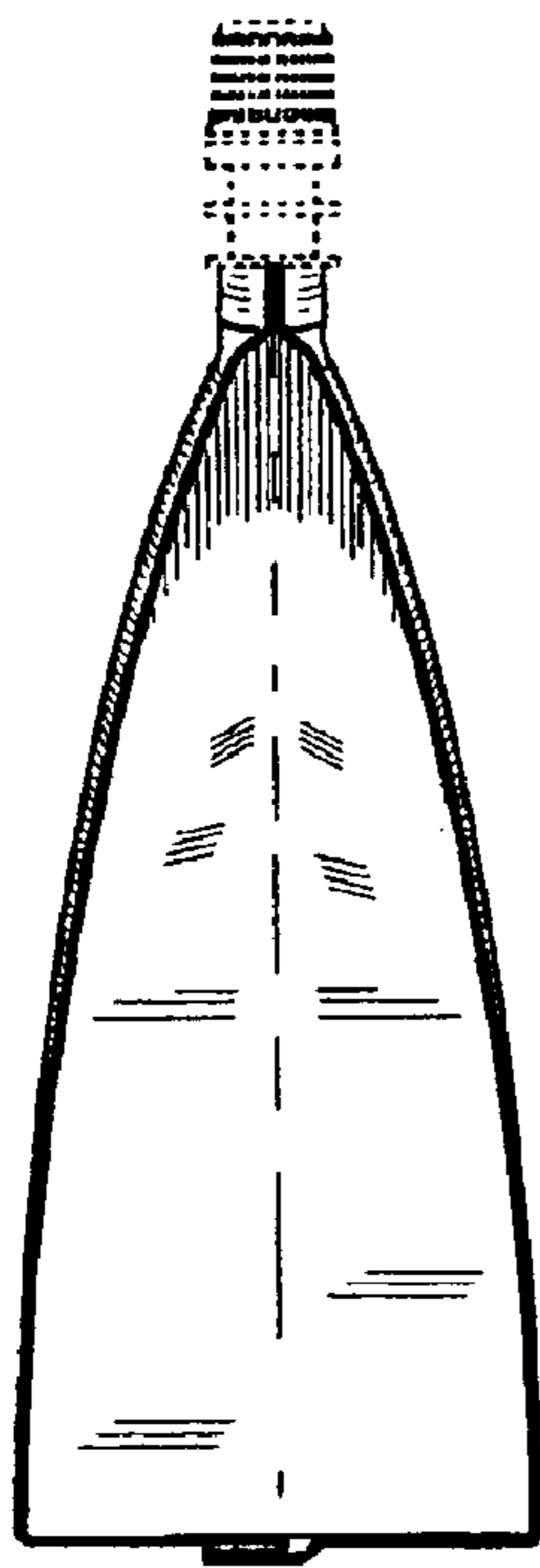


FIG. 6

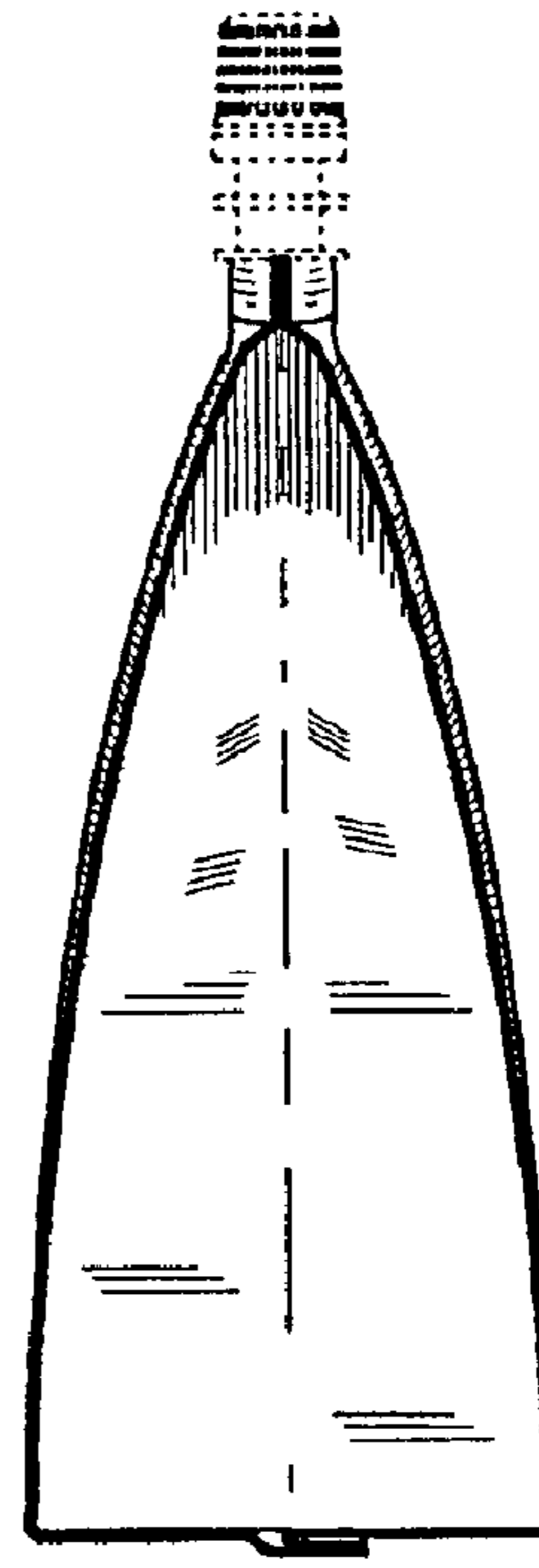


FIG. 7

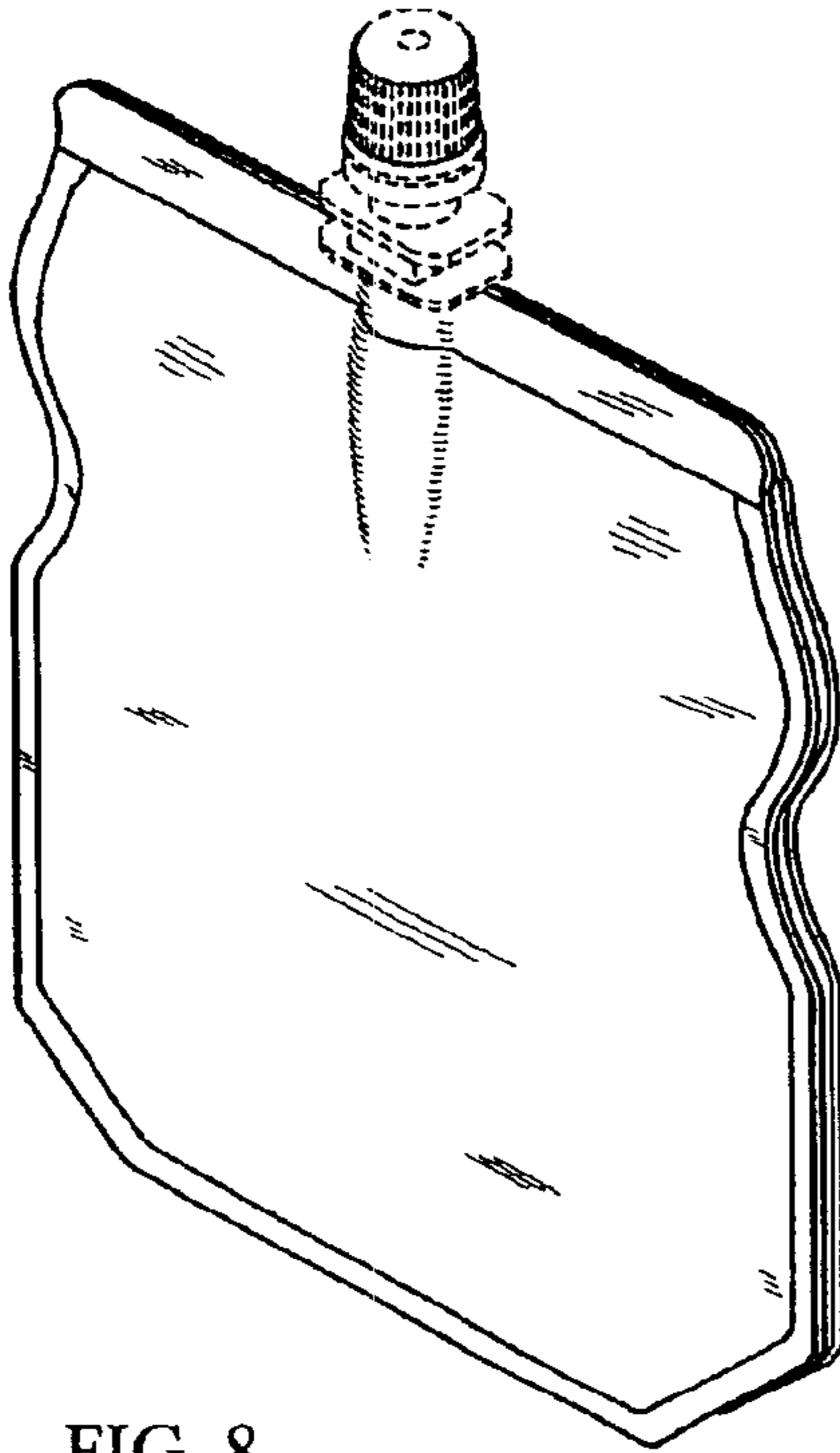


FIG. 8

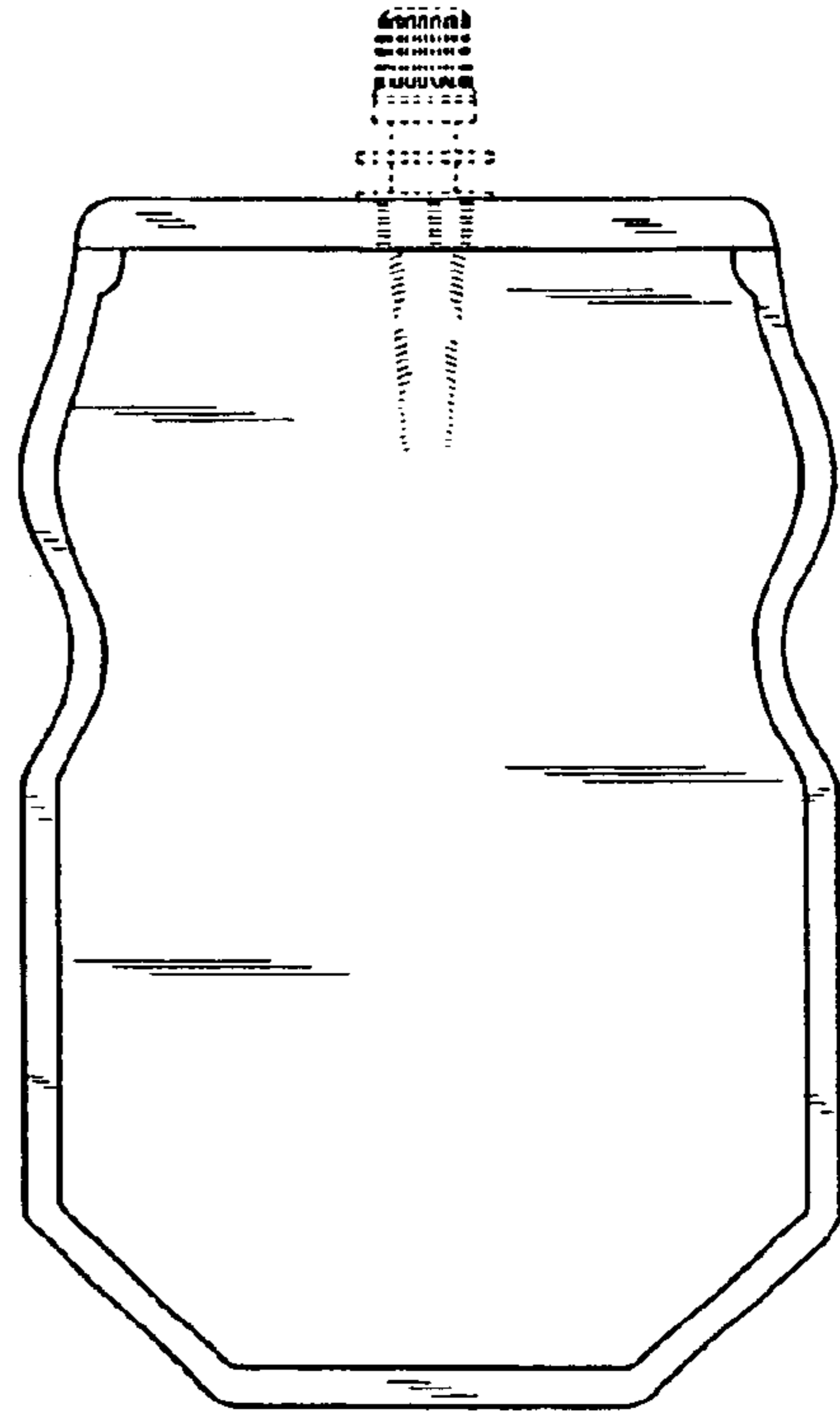


FIG. 9



FIG. 10



FIG. 11



FIG. 12



FIG. 13