



US00D527276S

(12) **United States Design Patent**  
**Harris**

(10) **Patent No.:** **US D527,276 S**

(45) **Date of Patent:** **\*\* Aug. 29, 2006**

(54) **SYRUP BOTTLE**

(75) Inventor: **Thomas Harris**, Pasadena, MD (US)

(73) Assignee: **GRAFCO PET Technologies**, Hanover, MD (US)

(\*\*) Term: **14 Years**

(21) Appl. No.: **29/216,060**

(22) Filed: **Oct. 29, 2004**

(51) **LOC (8) Cl.** ..... **09-01**

(52) **U.S. Cl.** ..... **D9/637**

(58) **Field of Classification Search** ..... D9/600,  
D9/636-637; D21/506, 511; 220/890; 206/457,  
206/822

See application file for complete search history.

(56) **References Cited**

**U.S. PATENT DOCUMENTS**

- D37,906 S \* 3/1906 Andresen ..... D9/637
- D50,453 S \* 3/1917 Towle ..... D9/636
- 1,664,464 A \* 4/1928 Purchas ..... D21/511
- D171,294 S \* 1/1954 Braun ..... D9/637

- D195,001 S \* 4/1963 Ravreby ..... D9/637
- D376,757 S \* 12/1996 Kress et al. .... D9/637
- D385,182 S \* 10/1997 Haas et al. .... D6/637

\* cited by examiner

*Primary Examiner*—Sandra L. Morris

(74) *Attorney, Agent, or Firm*—Royslance, Abrams, Berdo & Goodman, L.L.P.

(57) **CLAIM**

The ornamental design for a syrup bottle, as shown.

**DESCRIPTION**

FIG. 1 is an isometric view of a syrup bottle showing my new design;

FIG. 2 is a front view thereof;

FIG. 3 is a rear view thereof;

FIG. 4 is a left side view thereof;

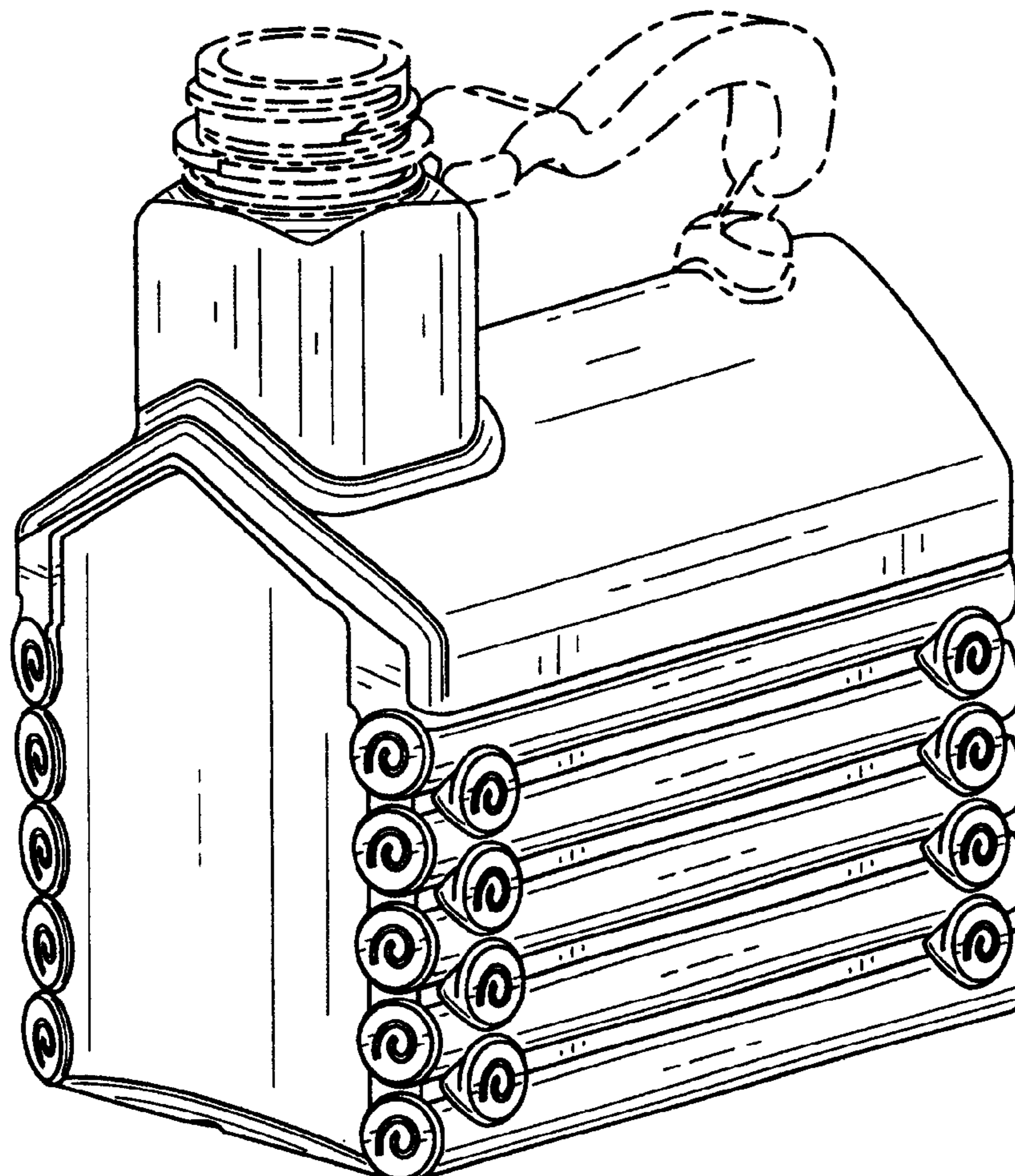
FIG. 5 is a right side view thereof;

FIG. 6 is a top view thereof; and,

FIG. 7 is a bottom view thereof.

The broken line showing is for illustrative purposes only, and forms no part of the claimed design.

**1 Claim, 7 Drawing Sheets**



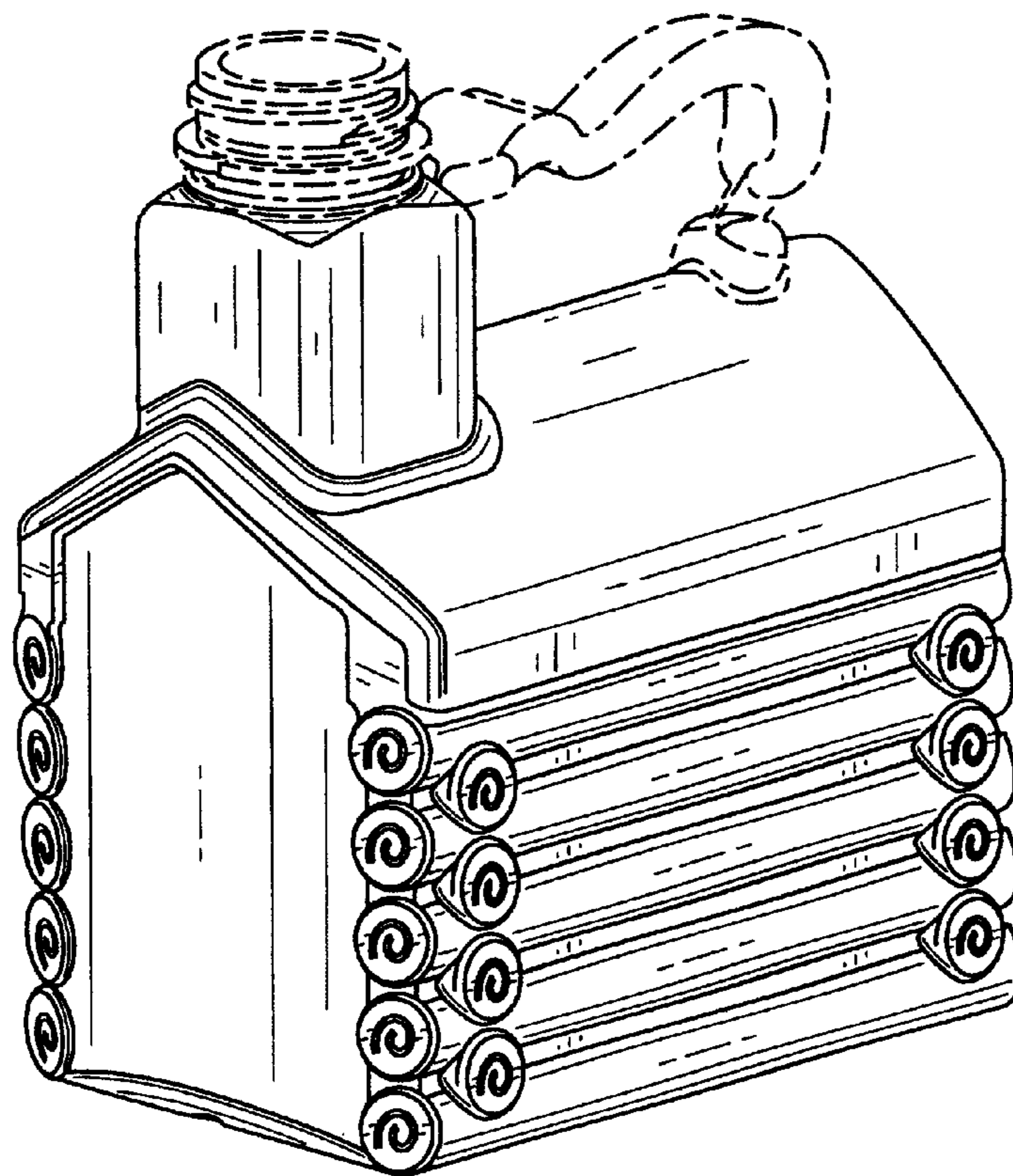


FIG. 1

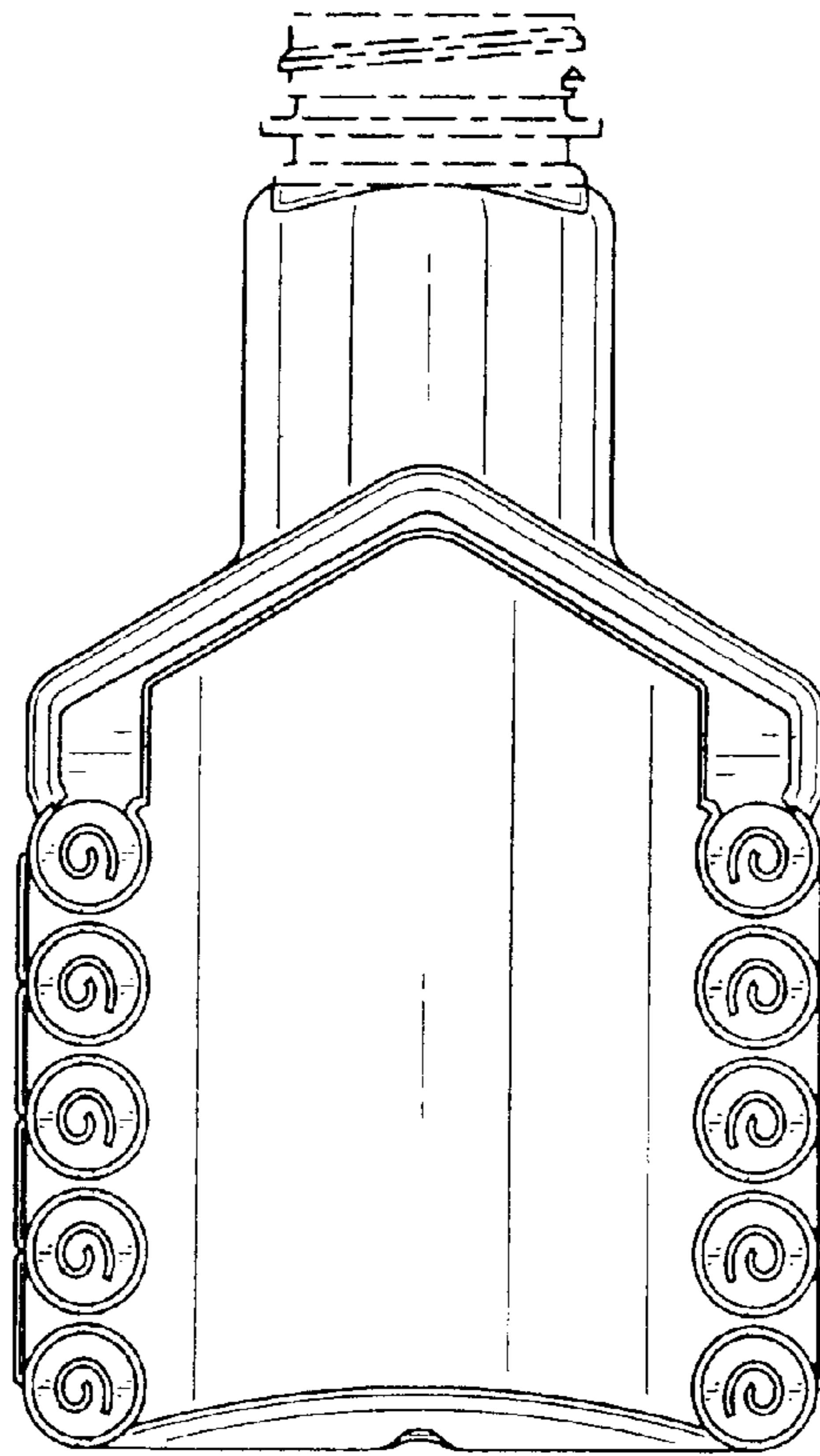


FIG. 2

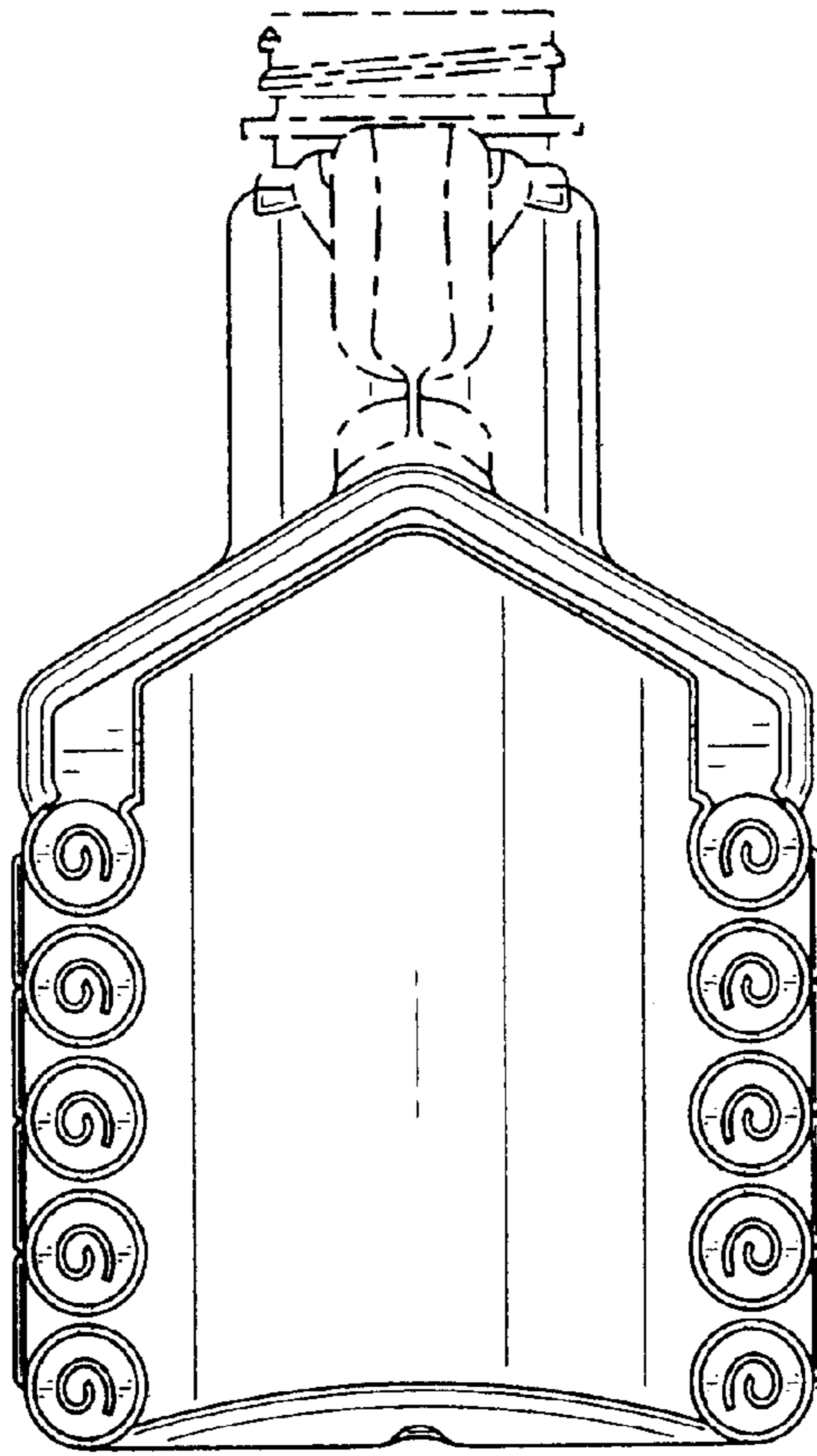


FIG. 3

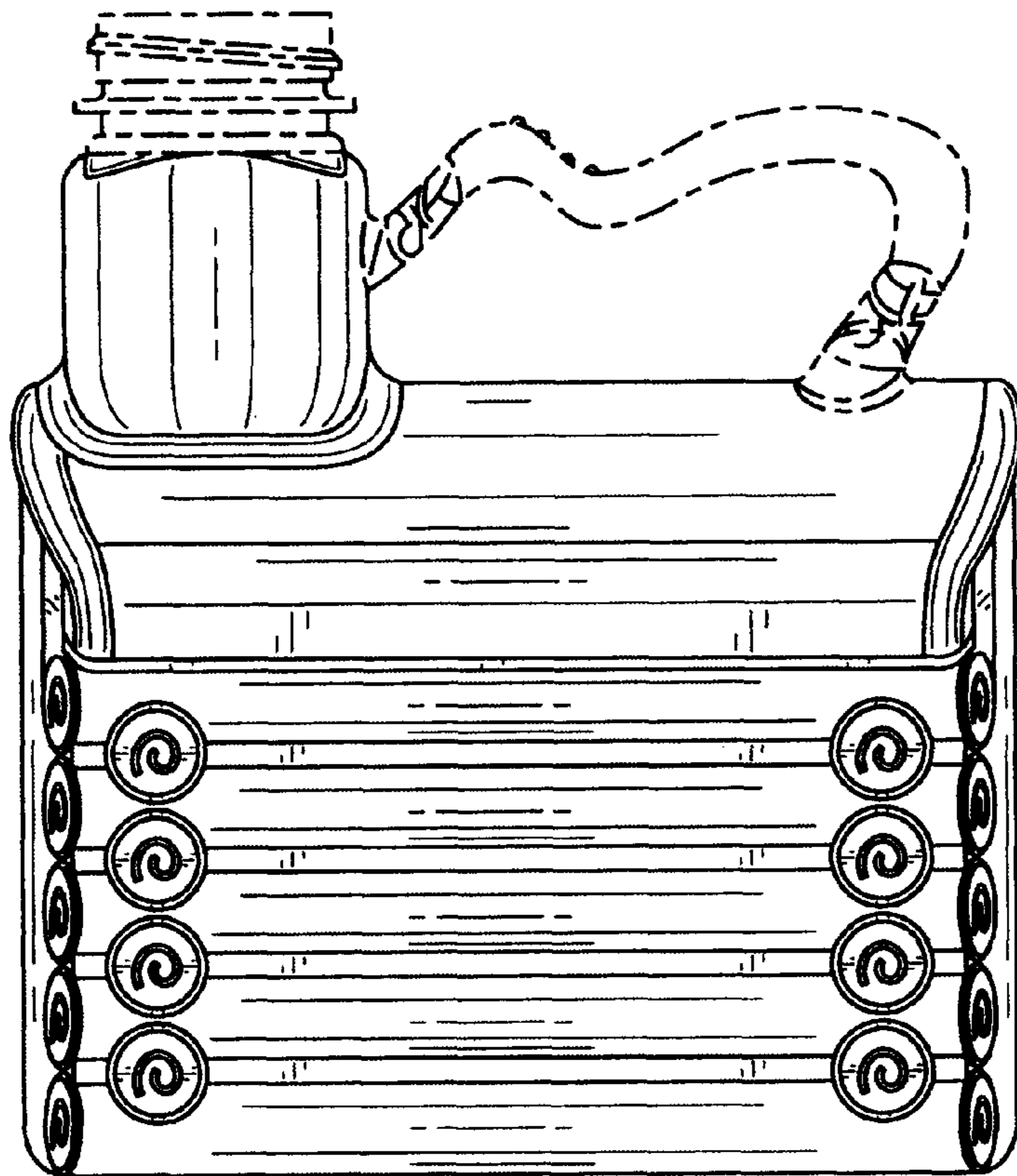


FIG. 4

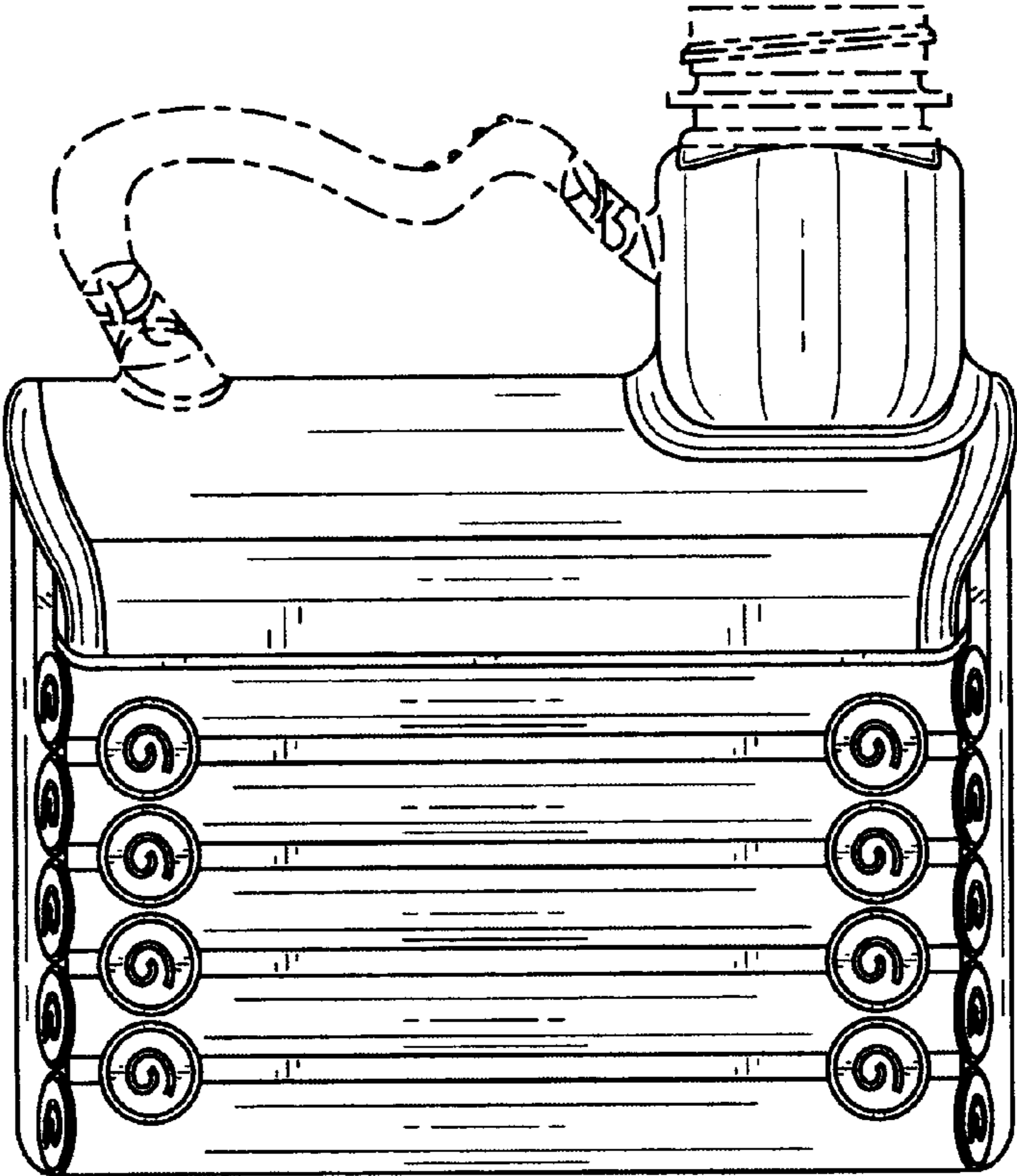


FIG. 5

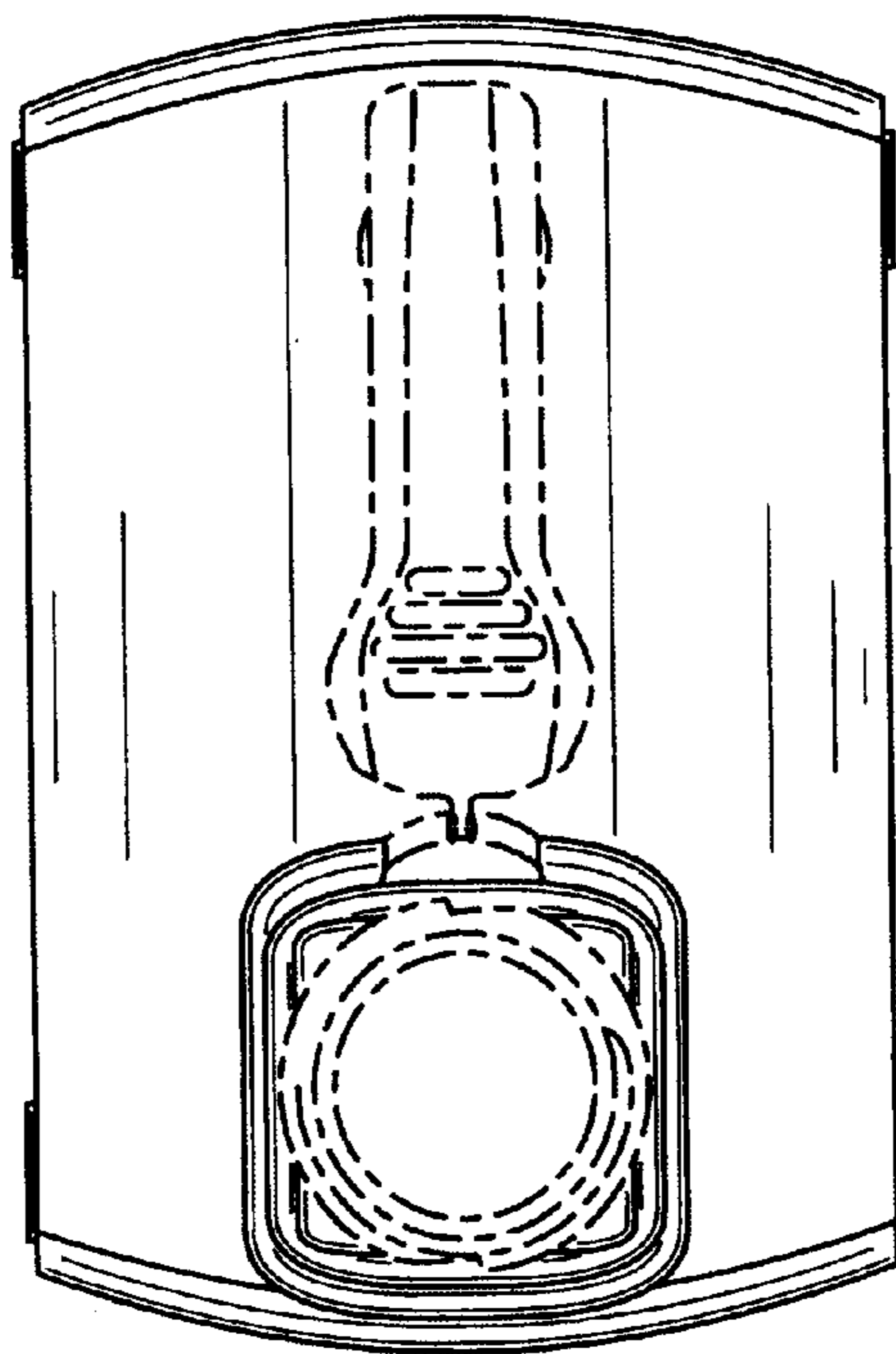


FIG. 6

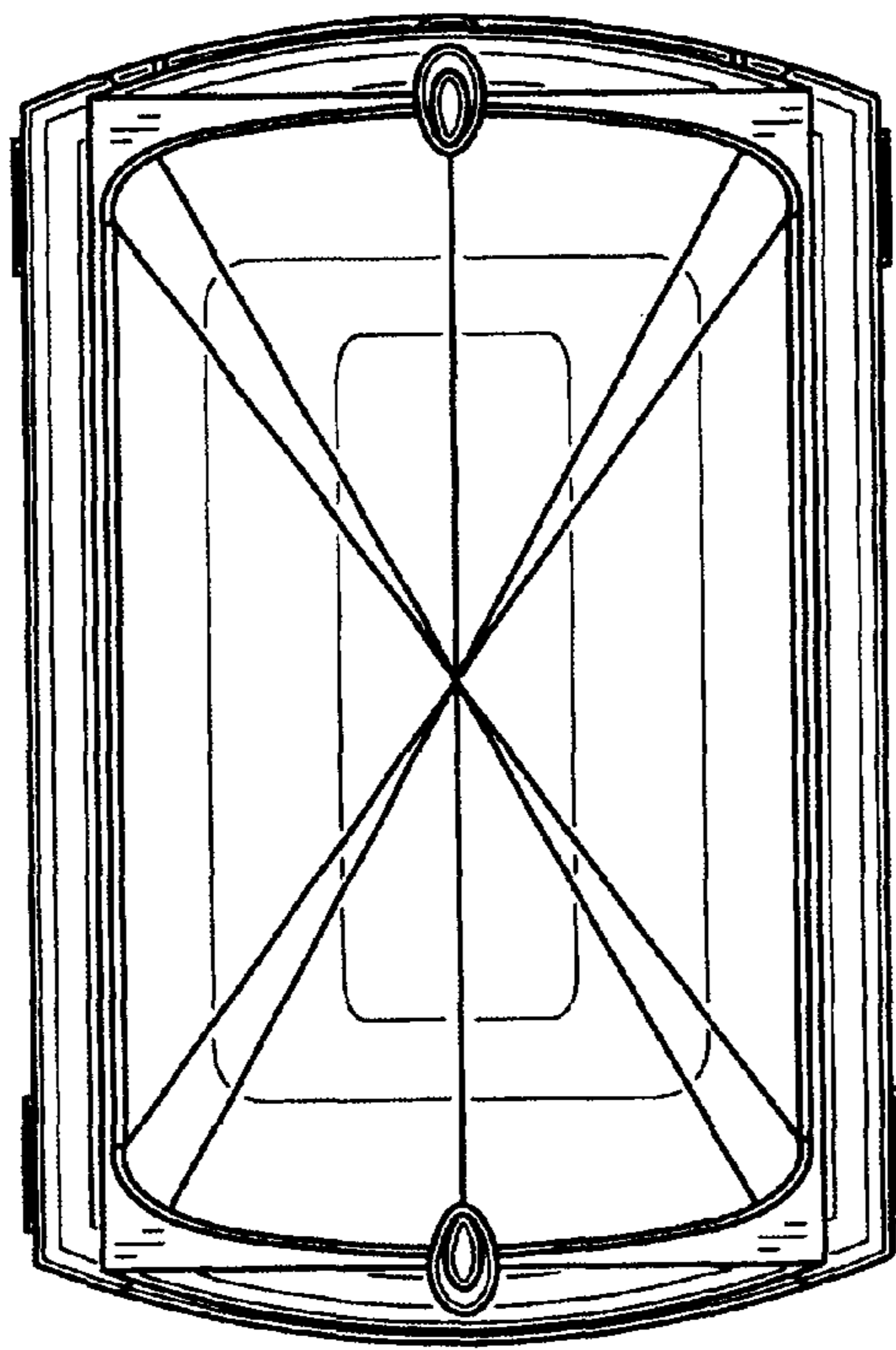


FIG. 7