



US00D527273S

(12) **United States Design Patent**
Edwards

(10) **Patent No.:** **US D527,273 S**

(45) **Date of Patent:** **** Aug. 29, 2006**

(54) **SOFT-SQUEEZABLE ANIMAL SHAMPOO DISPENSER**

D384,985 S * 10/1997 Cronic D21/440
D476,808 S * 7/2003 Carr D3/271.2
D481,867 S * 11/2003 Hotz D3/271.2

(76) Inventor: **Timothy Edwards**, 601 Hoska Dr., Del Mar, CA (US) 92014

* cited by examiner

(**) Term: **14 Years**

Primary Examiner—Sandra L. Morris

(74) *Attorney, Agent, or Firm*—Kelly Lowry & Kelley, LLP

(21) Appl. No.: **29/222,831**

(57) **CLAIM**

(22) Filed: **Feb. 3, 2005**

The ornamental design for a soft-squeezable animal shampoo dispenser, as shown and described.

(51) **LOC (8) Cl.** **09-01**

(52) **U.S. Cl.** **D9/600; D9/707**

(58) **Field of Classification Search** D9/600, D9/601, 652, 667, 695, 697–699, 702, 415, D9/624, 707–710; D3/211, 270–271.4; D30/155, D30/158, 160; 206/457, 822, 823; 222/575; 383/80, 127, 907; D20/11, 29–30
See application file for complete search history.

DESCRIPTION

FIG. 1 is a front, top and right-side perspective of an soft-squeezable animal shampoo dispenser embodying my new design:

FIG. 2 is a top plan view thereof;

FIG. 3 is a bottom plan view thereof;

FIG. 4 is a left-side elevational view, the right-side elevational view being a mirror image; and,

FIG. 5 is a rear elevational view thereof, the front elevational view being a mirror image.

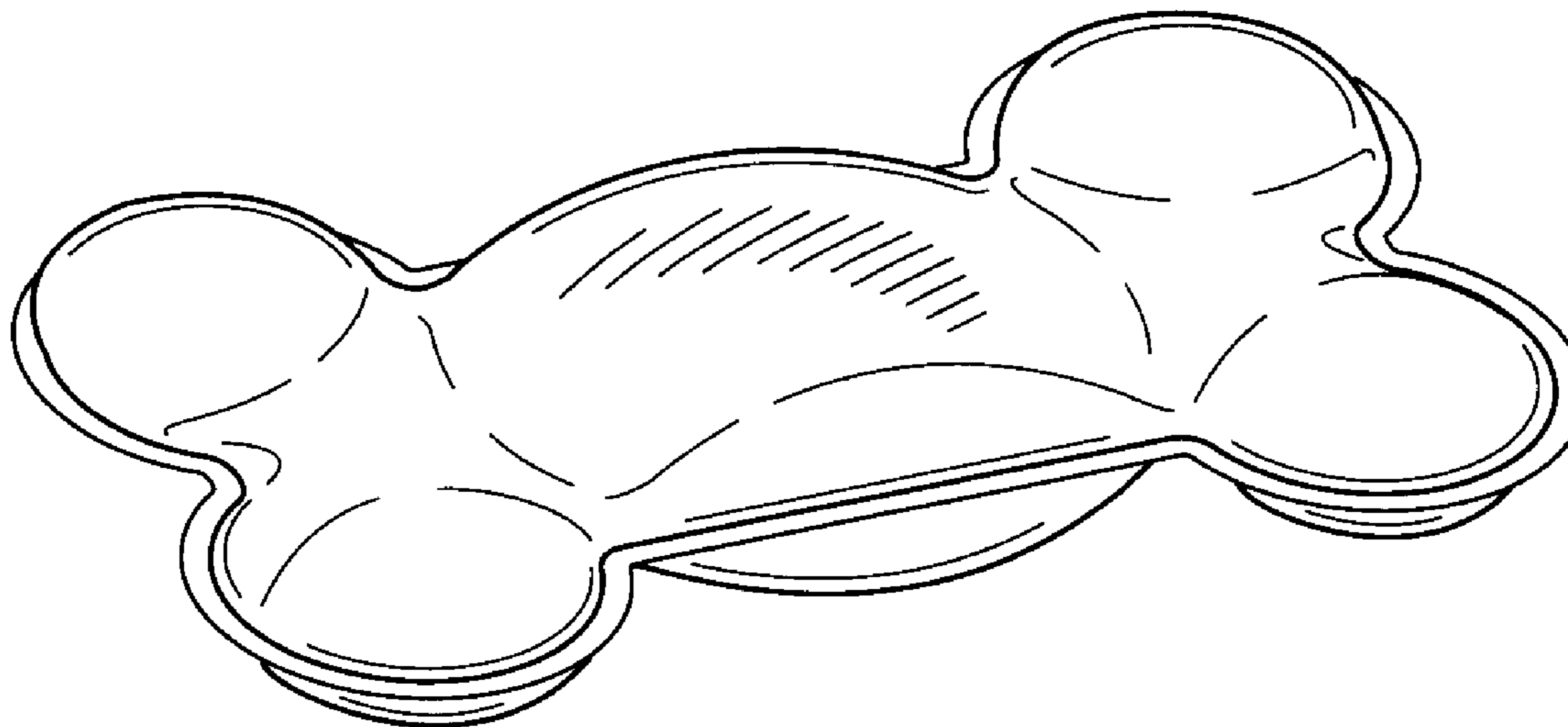
The broken line showing is for illustrative purposes only, and forms no part of the claimed design.

(56) **References Cited**

U.S. PATENT DOCUMENTS

D22,835 S * 10/1893 Cone D9/624
D250,249 S * 11/1978 Flecken D9/609
D277,918 S * 3/1985 Berns et al. D30/158
D384,978 S * 10/1997 Shimogori et al. D20/23

1 Claim, 1 Drawing Sheet



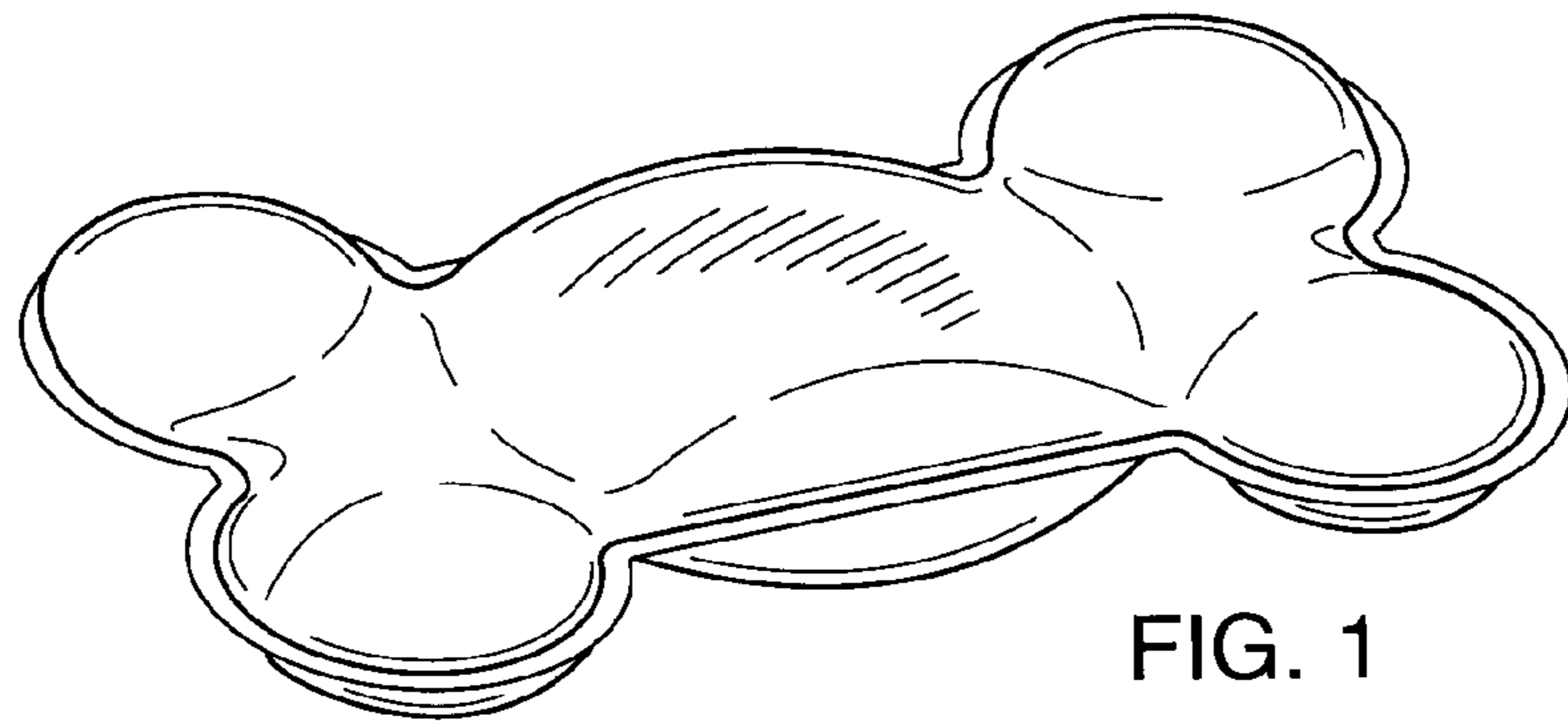


FIG. 1

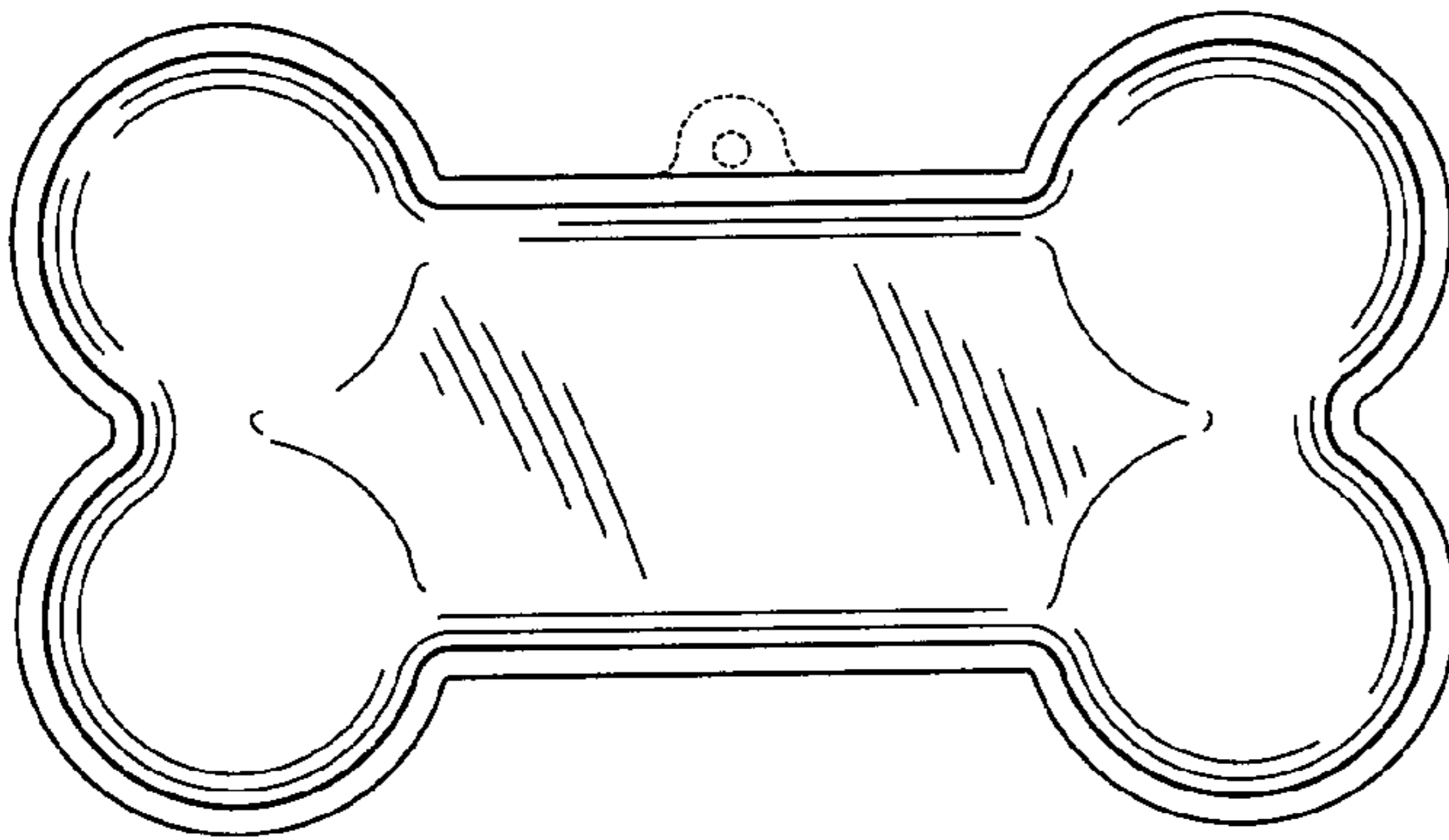


FIG. 2

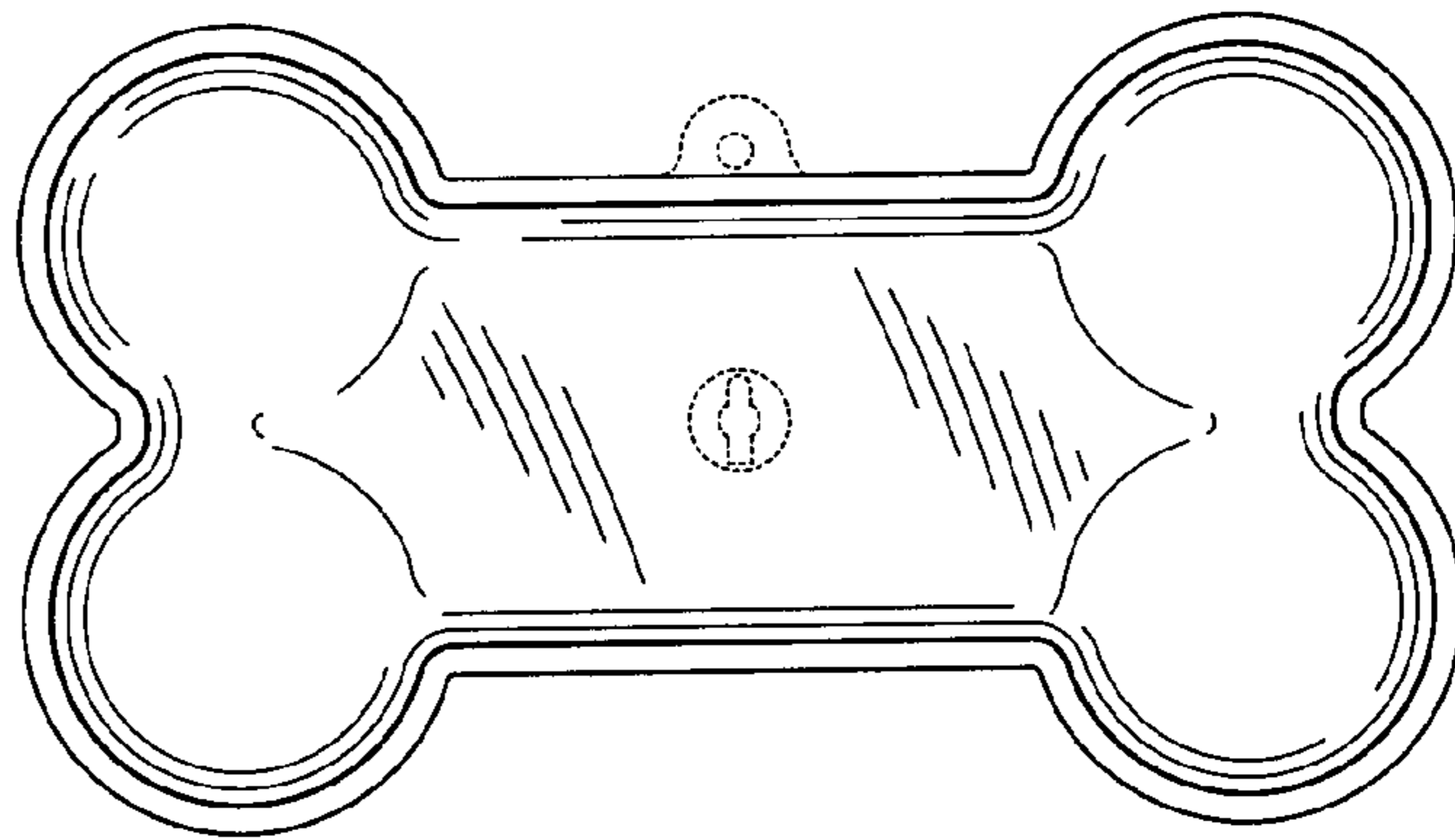


FIG. 2

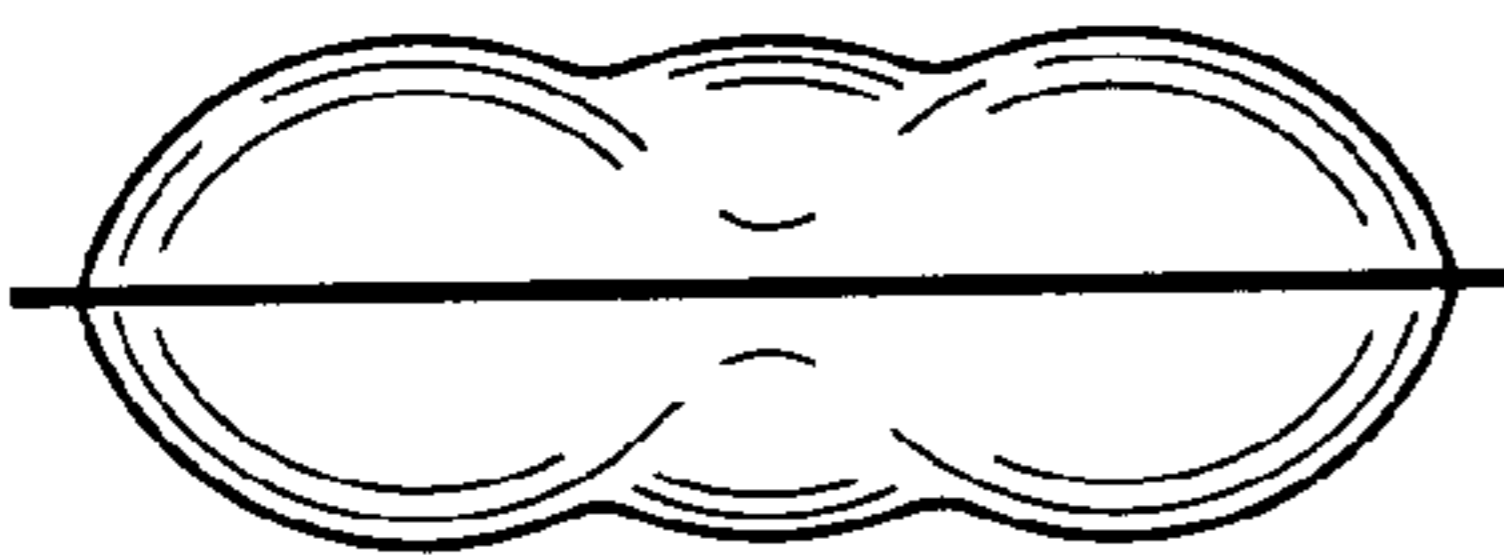


FIG. 4



FIG. 5