

US00D527271S

(12) **United States Design Patent**
Heisner et al.

(10) **Patent No.:** **US D527,271 S**

(45) **Date of Patent:** **** Aug. 29, 2006**

(54) **CONTAINER**

(75) Inventors: **David B. Heisner**, York, PA (US); **Ed Roubal**, Stewartstown, PA (US)

(73) Assignee: **Graham Packaging Company, LP**, York, PA (US)

(**) Term: **14 Years**

(21) Appl. No.: **29/211,810**

(22) Filed: **Aug. 23, 2004**

(51) **LOC (8) Cl.** **09-01**

(52) **U.S. Cl.** **D9/540**

(58) **Field of Classification Search** D9/434,
D9/516, 520, 523, 528, 530-531, 534-535,
D9/537-543, 558, 570, 574, 575; D7/510-511,
D7/533, 535, 538, 543, 300.1, 521, 619.1,
D7/622, 629; 215/381-385, 396, 398; 220/661,
220/669, 672, 703, 710.5, 729, 733, 752
See application file for complete search history.

(56) **References Cited**

U.S. PATENT DOCUMENTS

D193,446 S * 8/1962 Houghton D9/528
4,993,565 A * 2/1991 Ota et al. 215/384
D382,807 S * 8/1997 Silvers et al. D9/543
D458,119 S * 6/2002 Crawford D9/693
D462,012 S 8/2002 Manderfield, Jr.

D473,142 S 4/2003 Beaver
6,659,300 B1 * 12/2003 Wurster et al. 215/384
D496,285 S * 9/2004 Hogan et al. D9/542
2003/0116527 A1 * 6/2003 Beaver et al. 215/382

* cited by examiner

Primary Examiner—Ian Simmons

Assistant Examiner—Dana Sipos

(74) *Attorney, Agent, or Firm*—Venable LLP; James R. Burdett; Stuart I. Smith

(57) **CLAIM**

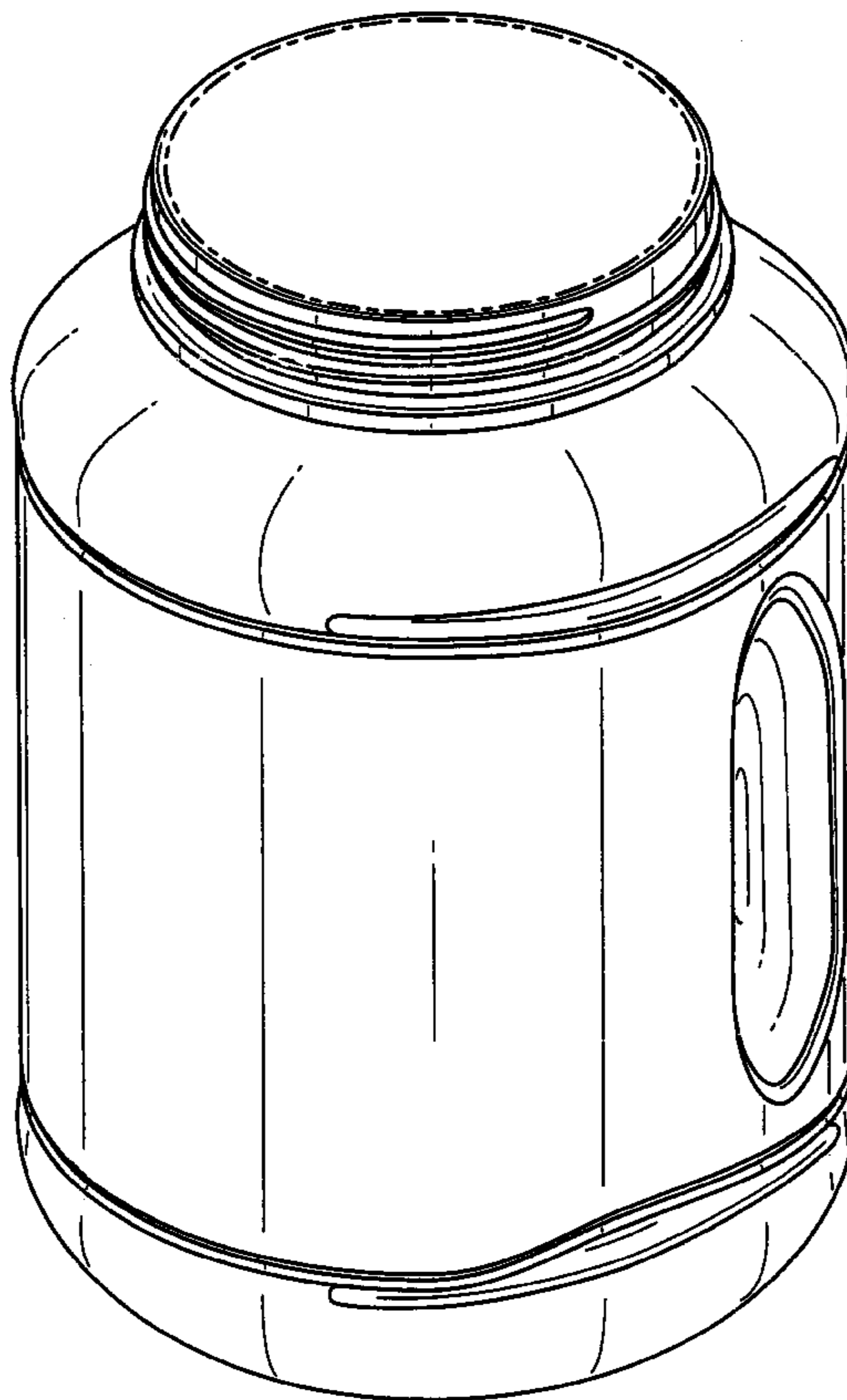
The ornamental design for a container, as shown and described.

DESCRIPTION

FIG. 1 is a perspective view of a container according to an embodiment of the present invention;
FIG. 2 is a front elevational view thereof;
FIG. 3 is rear elevational view thereof;
FIG. 4 is right side elevational view thereof;
FIG. 5 is left side elevational view thereof;
FIG. 6 is a top plan view thereof;
FIG. 7 is a cross-section view of the container through the line 7—7 as shown in FIG. 2; and,
FIG. 8 is a bottom plan view thereof.

The broken lines show the environment, which is for illustrative purposes only, and form no part of the claimed design.

1 Claim, 8 Drawing Sheets



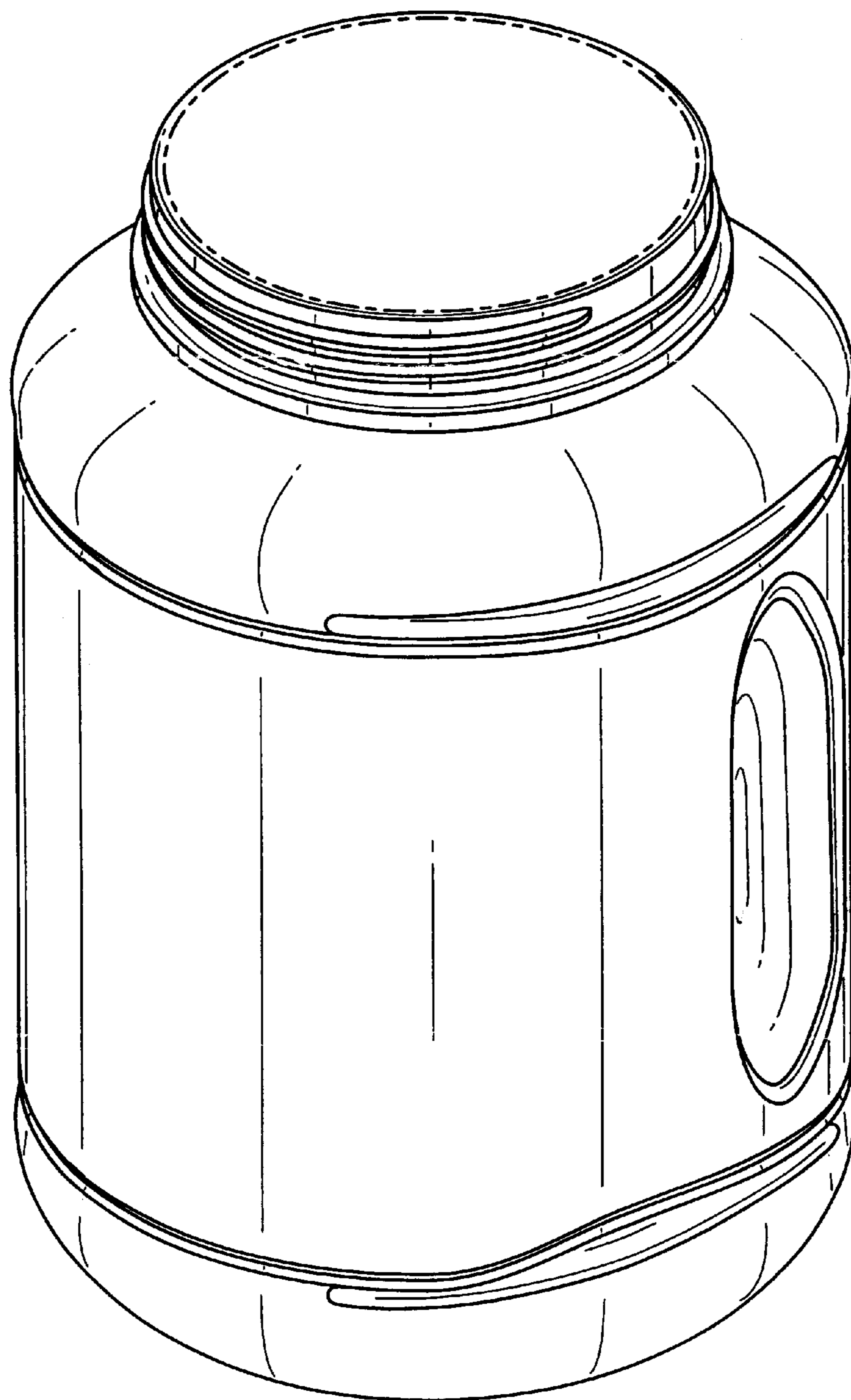


FIG. 1

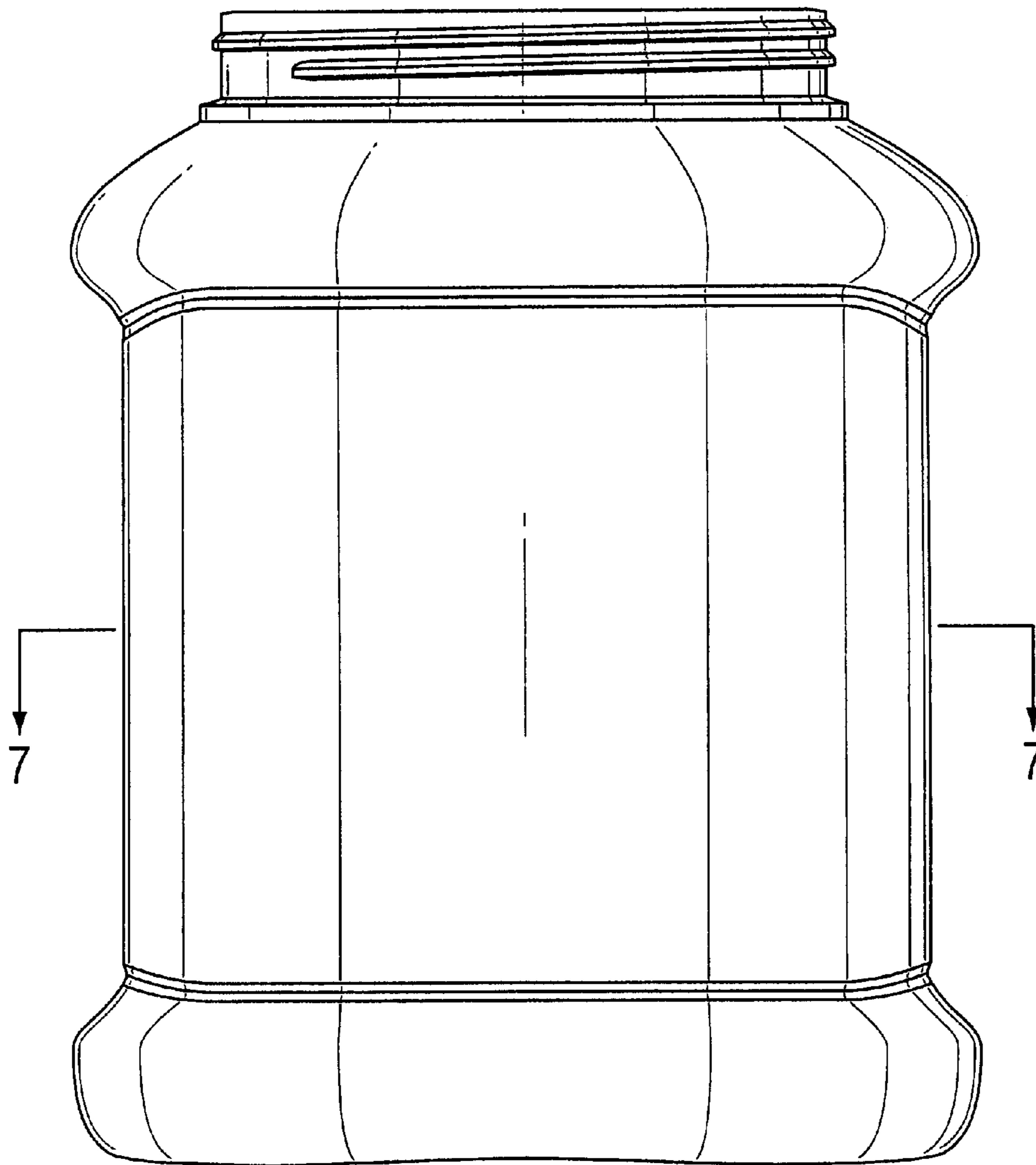


FIG. 2

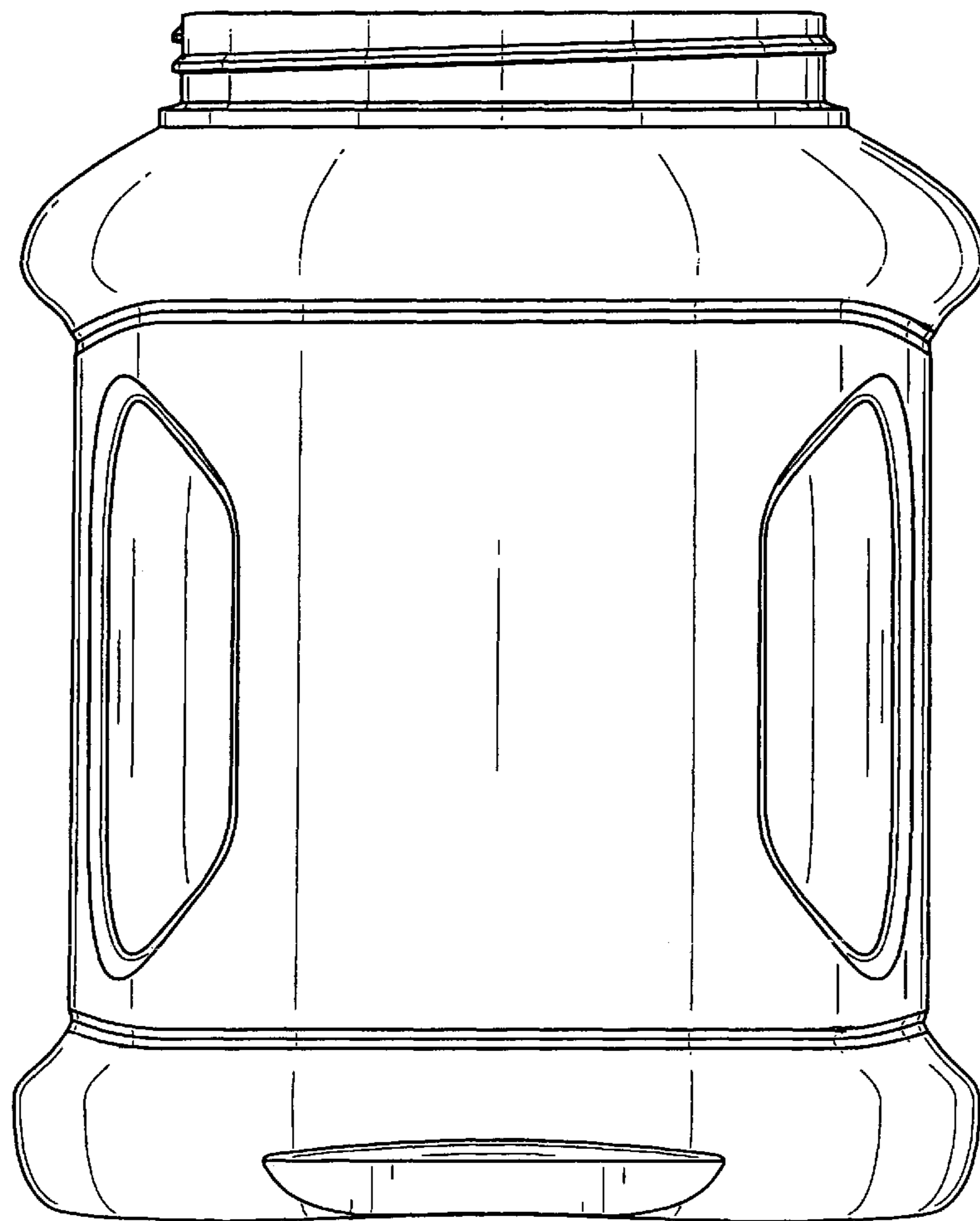


FIG. 3

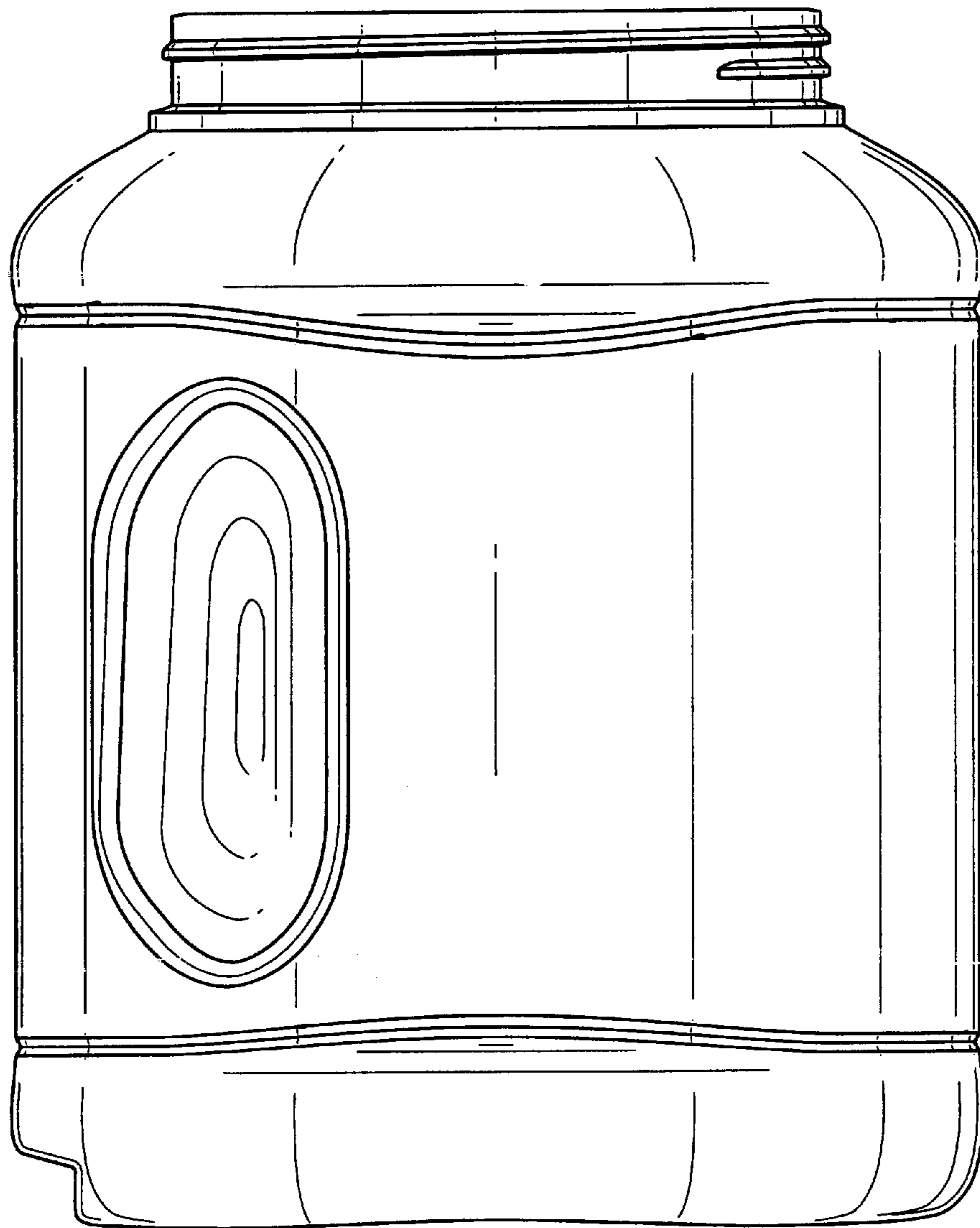


FIG. 4

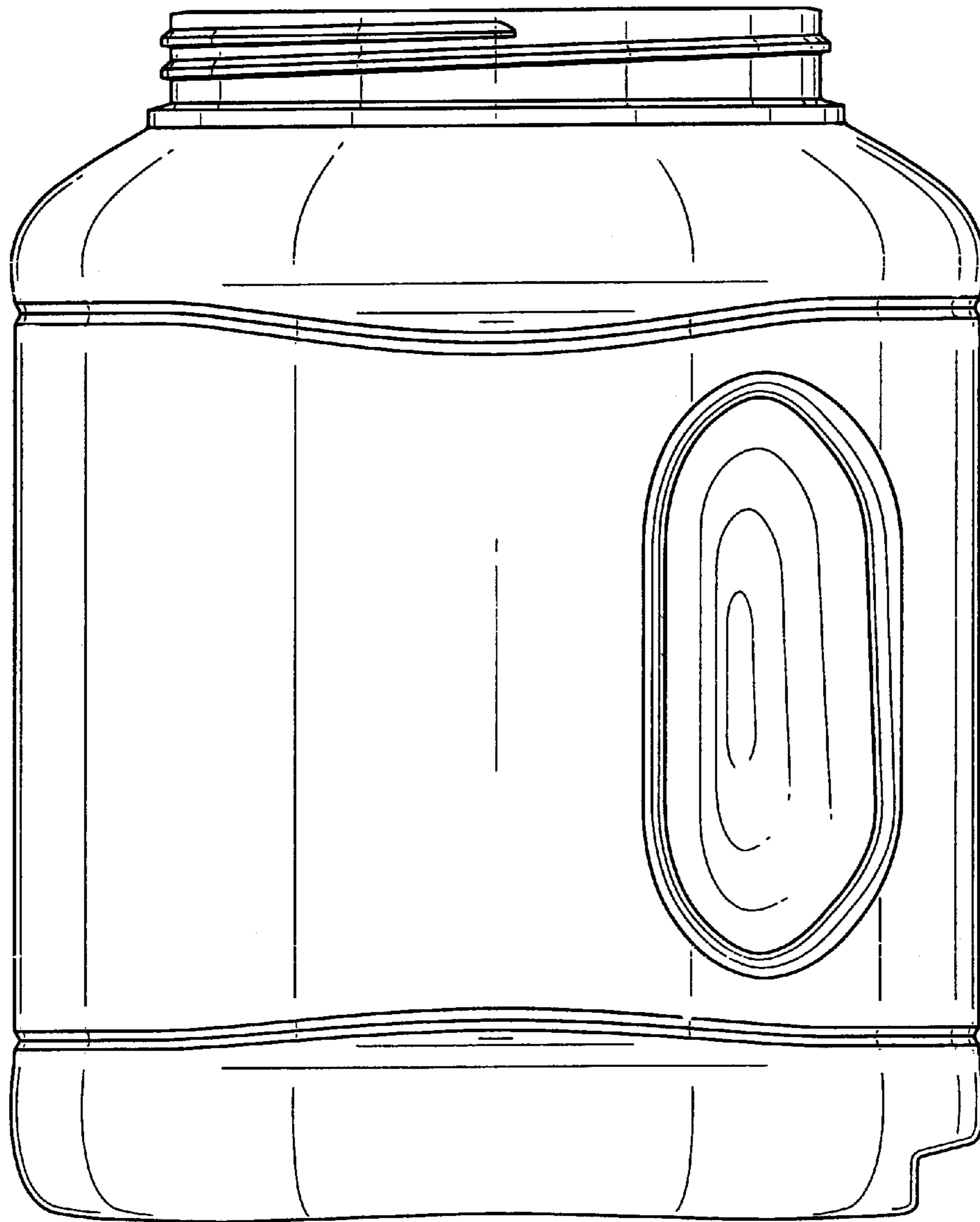


FIG. 5

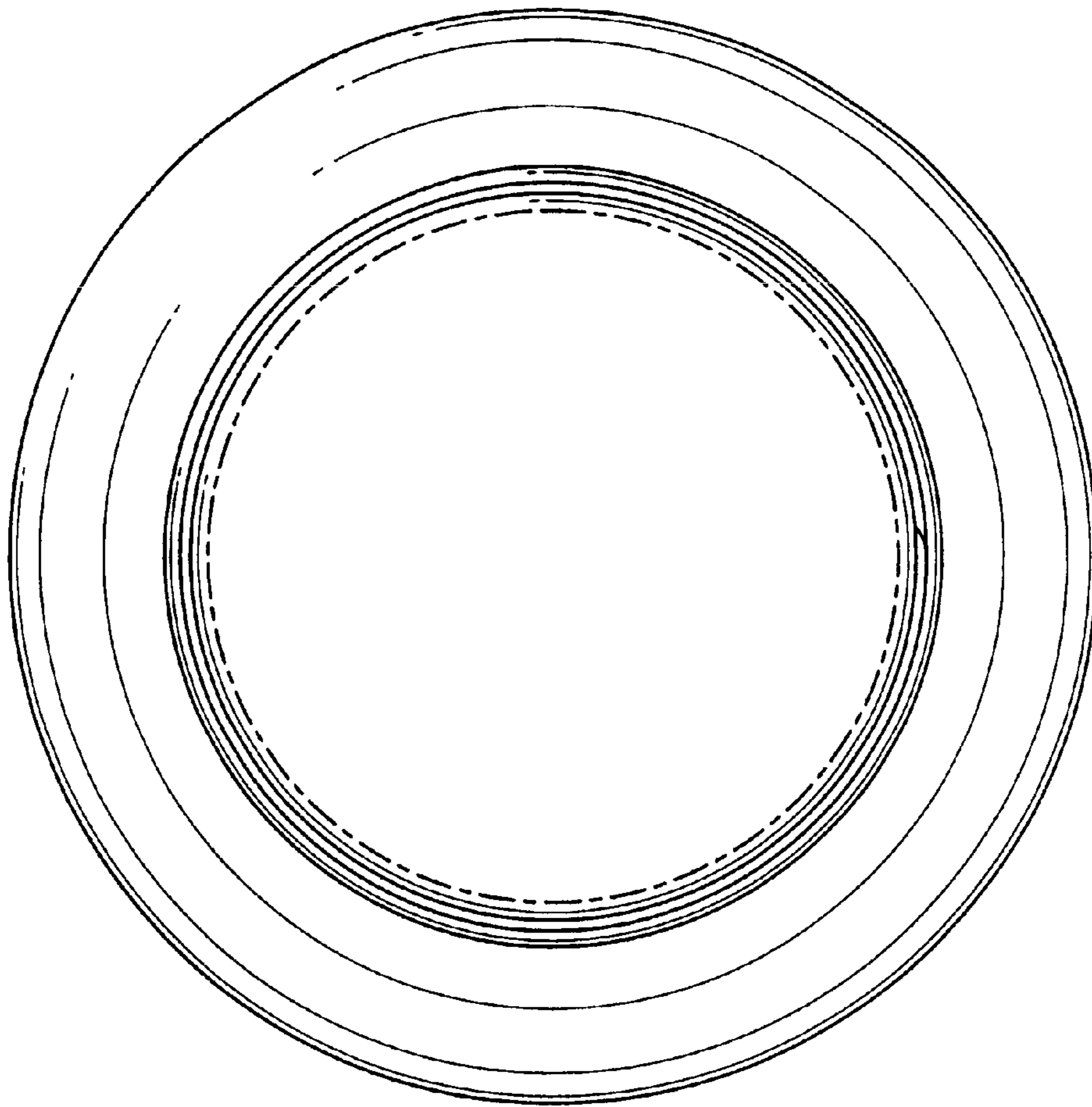


FIG. 6

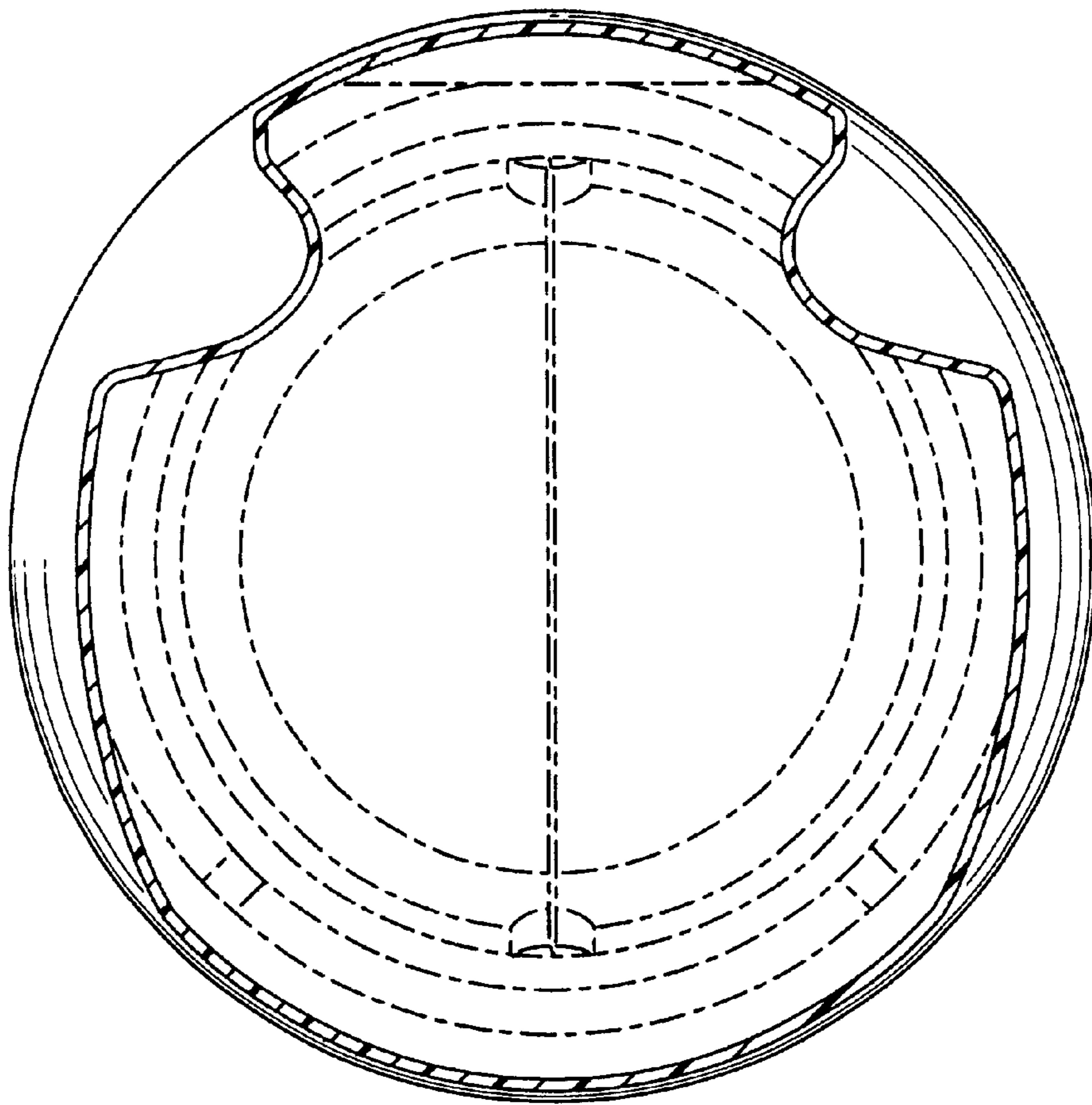


FIG. 7

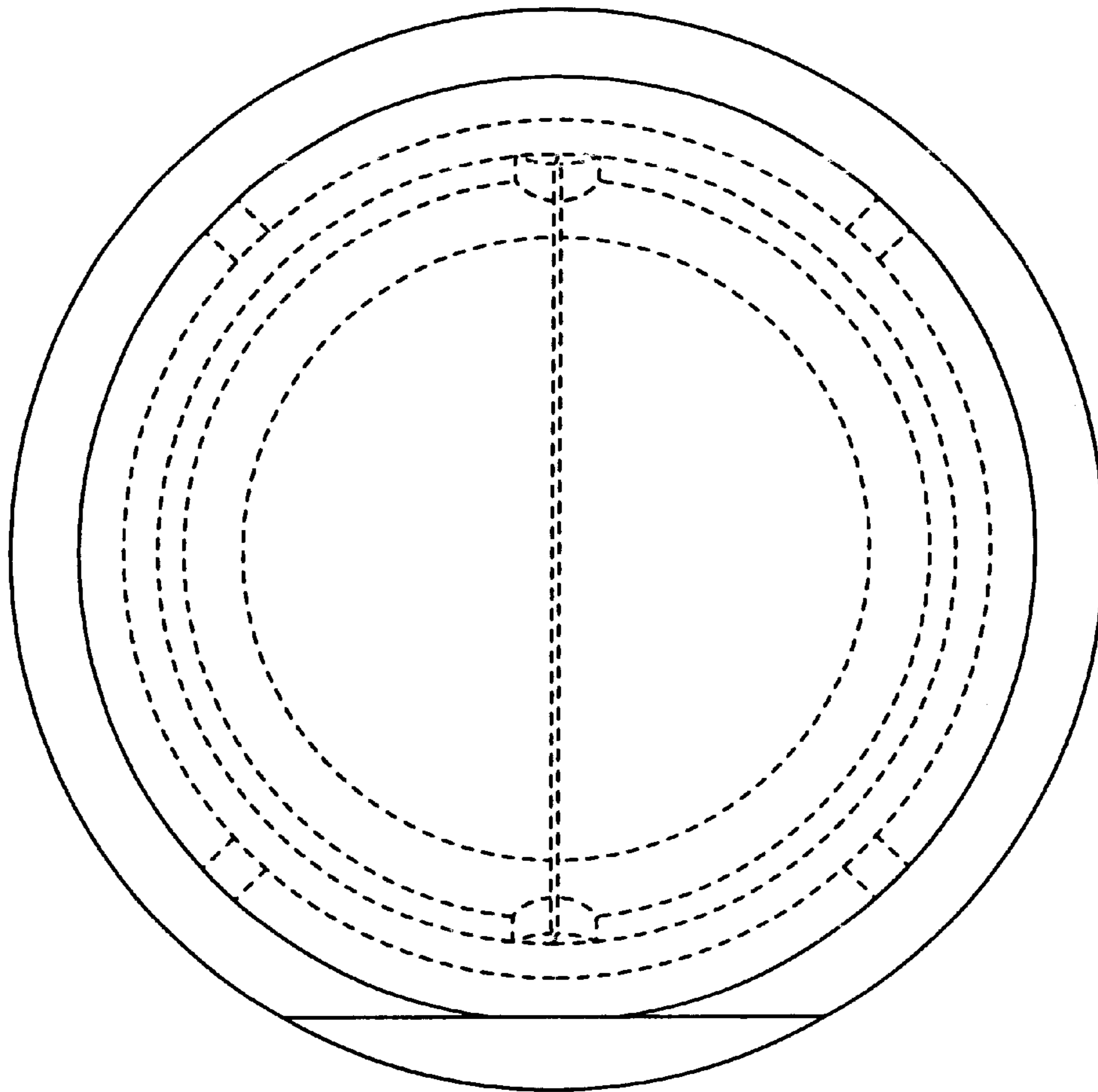


FIG. 8