

US00D527270S

(12) **United States Design Patent**
Ungrady

(10) **Patent No.:** **US D527,270 S**

(45) **Date of Patent:** **** Aug. 29, 2006**

(54) **CONTAINER**

(75) Inventor: **Eric B. Ungrady**, Maumee, OH (US)

(73) Assignee: **Graham Packaging Company, L.P.**,
York, PA (US)

(**) Term: **14 Years**

(21) Appl. No.: **29/208,003**

(22) Filed: **Jun. 22, 2004**

(51) **LOC (8) Cl.** **09-01**

(52) **U.S. Cl.** **D9/538; D9/553**

(58) **Field of Classification Search** D9/500,
D9/502, 516, 530, 537-540, 549-551, 553,
D9/556-558; 215/379, 381-385, 387; 220/660,
220/662, 665-666, 675

See application file for complete search history.

(56) **References Cited**

U.S. PATENT DOCUMENTS

D240,898 S	8/1976	Reynolds
D243,583 S	3/1977	Reynolds
D295,376 S	4/1988	Rogler
D308,482 S	6/1990	Wild
D315,869 S	4/1991	Collette
D316,967 S	5/1991	York
D321,830 S	11/1991	York et al.
5,255,889 A	10/1993	Collette et al.
D345,693 S	4/1994	Edstrom
D352,245 S	11/1994	Krishnakumar et al.
D366,416 S	1/1996	Semersky
D366,417 S	1/1996	Semersky
D366,831 S	2/1996	Semersky et al.
D393,802 S	4/1998	Collette et al.
D397,614 S	9/1998	Krishnakumar et al.
5,971,184 A *	10/1999	Krishnakumar et al. 215/384
D416,198 S	11/1999	Lindsay et al.
D419,882 S	2/2000	Bretz et al.
D420,592 S	2/2000	Bretz et al.

(Continued)

FOREIGN PATENT DOCUMENTS

GB	2025489	9/1992
GB	2064293	3/1997

GB	2080863	2/1999
GB	2090667	2/2000
GB	2091076	3/2000
GB	3008527	11/2002

Primary Examiner—Ian Simmons

Assistant Examiner—Dana Sipos

(74) *Attorney, Agent, or Firm*—Venable LLP; Stuart I. Smith

(57) **CLAIM**

I claim the ornamental design for a container, as shown and described.

DESCRIPTION

FIG. 1 is a perspective view of a container showing our new design;

FIG. 2 is a front elevational view thereof;

FIG. 3 is a right side elevational view thereof, the left side elevational view being a mirror image;

FIG. 4 is a rear elevational view thereof;

FIG. 5 is a top plan view thereof;

FIG. 6 is a perspective view of a second embodiment showing our new design;

FIG. 7 is a front elevational view thereof;

FIG. 8 is a right side elevational view thereof, the left side elevational view being a mirror image;

FIG. 9 is a rear elevational view thereof;

FIG. 10 is a perspective view of a third embodiment showing our new design;

FIG. 11 is a front elevational view thereof;

FIG. 12 is a right side elevational view thereof;

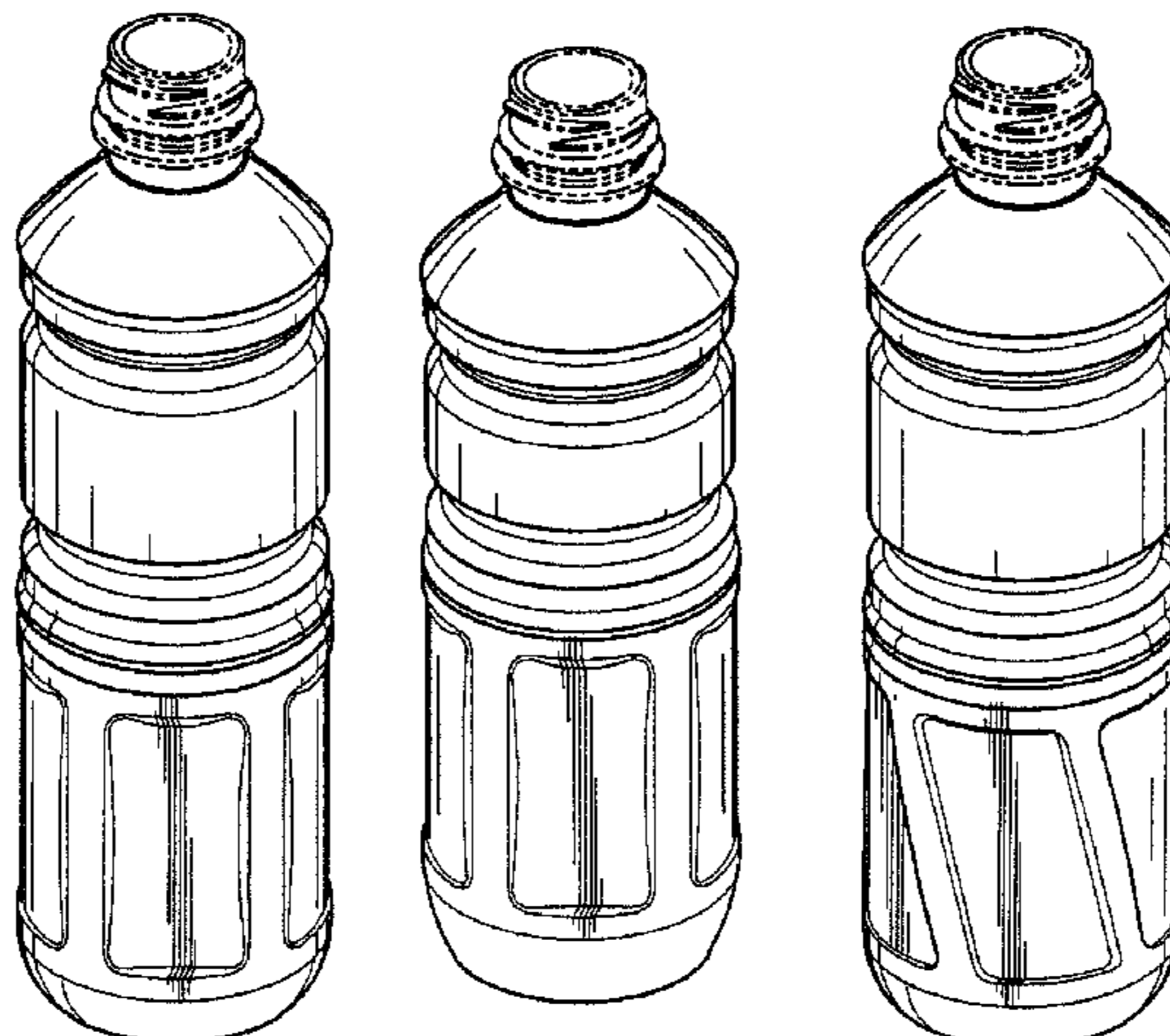
FIG. 13 is a rear elevational view thereof; and,

FIG. 14 is a left side elevational view thereof.

The top plan view of the container in embodiments 2 & 3 is identical to the top plan view shown in the FIG. 5 drawing view of embodiment 1. The bottom surface of the container is not part of the claimed design.

The broken lines shown in the drawings are for illustrative purposes only and form no part of the claimed design.

1 Claim, 7 Drawing Sheets



US D527,270 S

Page 2

U.S. PATENT DOCUMENTS

D421,720 S	3/2000	Eberle et al.	
6,036,037 A *	3/2000	Scheffer et al.	215/381
D426,460 S	6/2000	Krishnakumar et al.	
D429,647 S *	8/2000	Warner et al.	D9/538
6,095,360 A *	8/2000	Shmagin et al.	215/382
D434,330 S	11/2000	Rowe et al.	
D438,455 S	3/2001	Bretz et al.	
D438,456 S *	3/2001	Bretz et al.	D9/539
D439,167 S *	3/2001	Lichtman et al.	D9/539
D440,158 S	4/2001	Bretz et al.	
D441,294 S *	5/2001	Lichtman et al.	D9/539
D441,641 S	5/2001	Piccioli et al.	
D442,474 S	5/2001	Piccioli et al.	
D445,033 S *	7/2001	Bretz et al.	D9/520
D445,334 S	7/2001	Bretz et al.	
D445,693 S *	7/2001	Rashid	D9/538
D446,112 S	8/2001	Bretz et al.	
D446,126 S *	8/2001	Bretz et al.	D9/538
D448,673 S	10/2001	Bretz et al.	
D454,500 S *	3/2002	Bretz et al.	D9/538
D454,790 S	3/2002	Crawford	
D455,078 S	4/2002	Bretz et al.	
D457,060 S	5/2002	Bretz et al.	
D461,412 S	8/2002	Bretz et al.	
D464,569 S *	10/2002	Moore et al.	D9/502
D465,158 S	11/2002	Peek et al.	
D466,021 S	11/2002	Thierjung et al.	
D466,414 S	12/2002	Venkataraman et al.	
D469,695 S	2/2003	Bryant et al.	
D472,470 S	4/2003	Bretz et al.	
D479,690 S	9/2003	DeGroff	
D480,957 S	10/2003	Mooney et al.	
D482,287 S	11/2003	Kraft	
D489,268 S *	5/2004	Wang	D9/556
D512,325 S *	12/2005	Bretz et al.	D9/537
D514,938 S *	2/2006	Zhang	D9/516

* cited by examiner

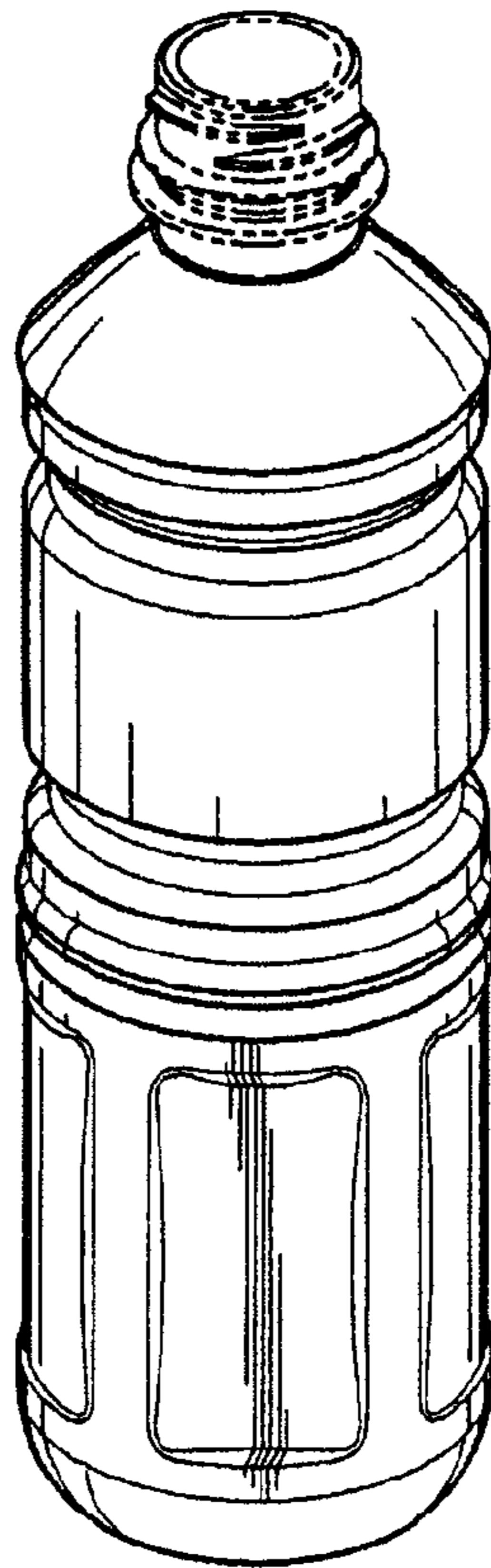


FIG. 1

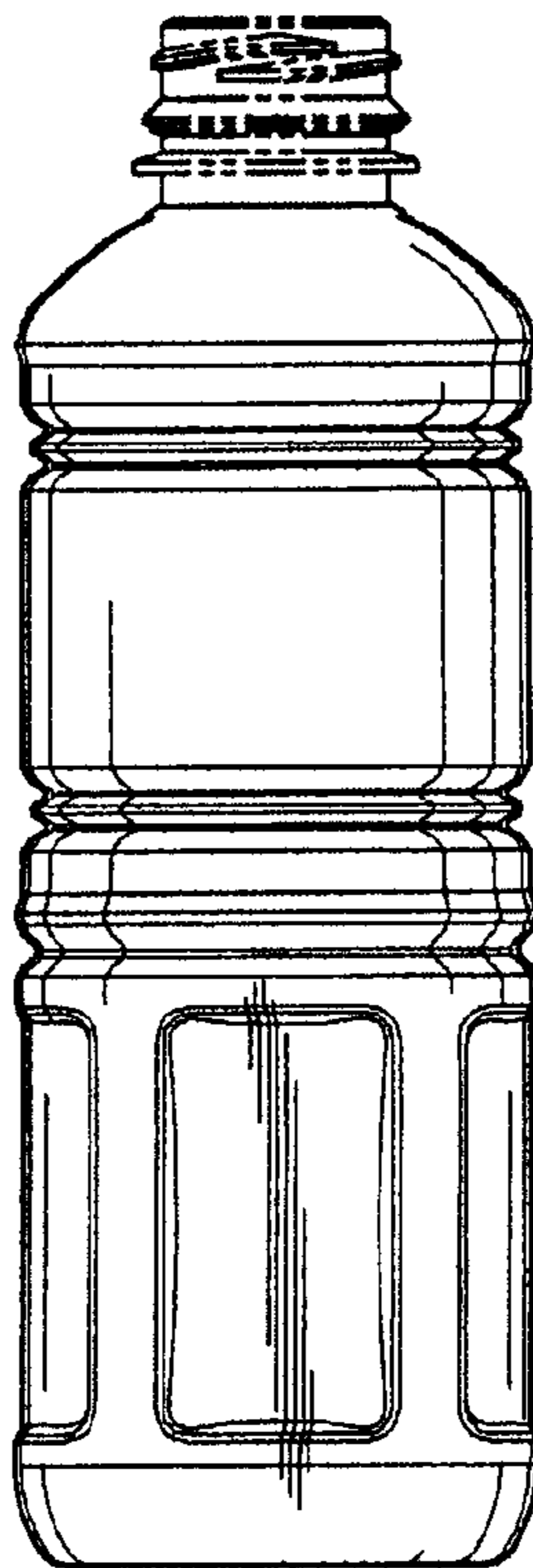


FIG. 2

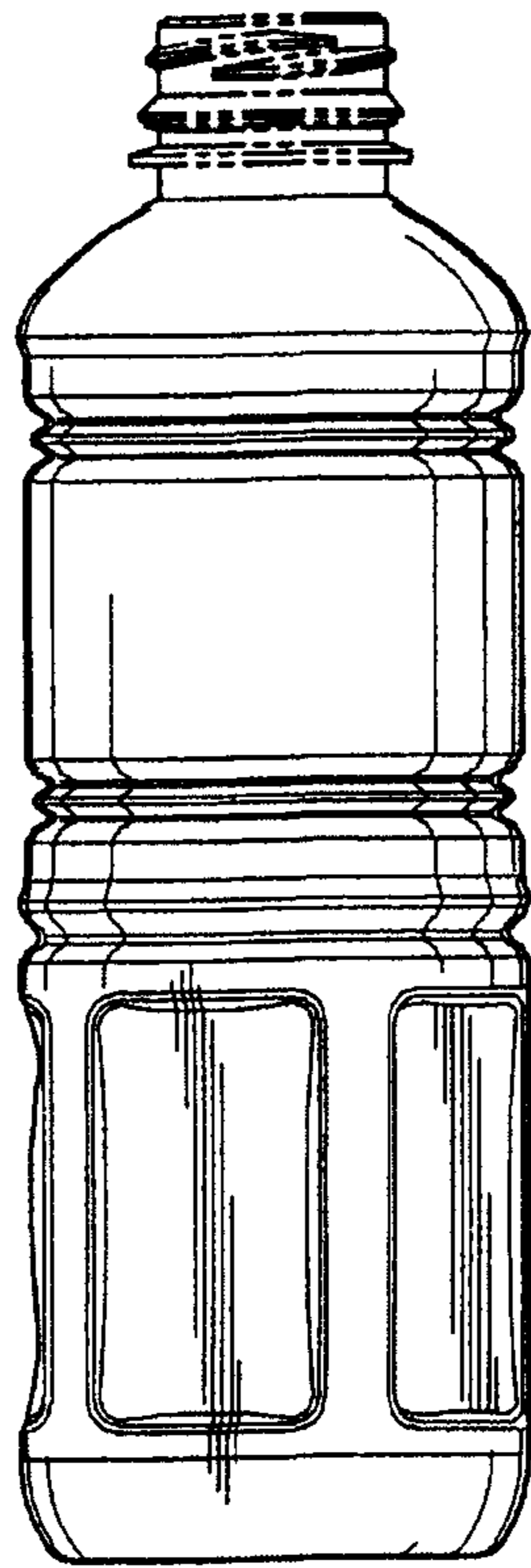


FIG. 3

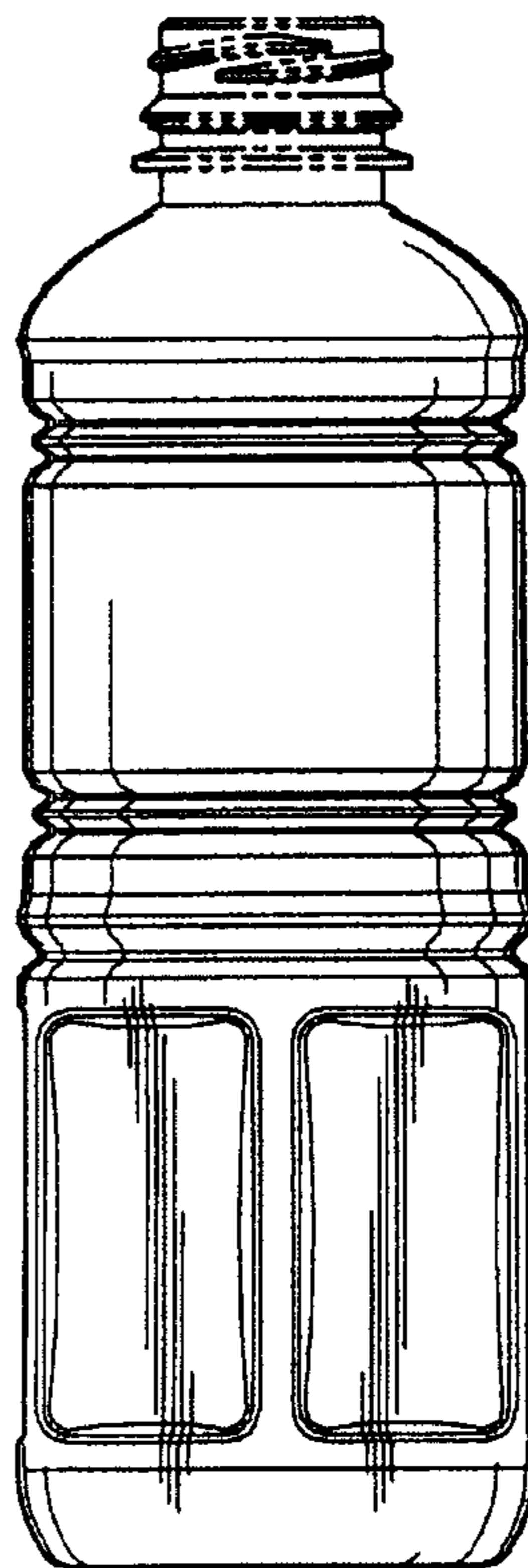


FIG. 4

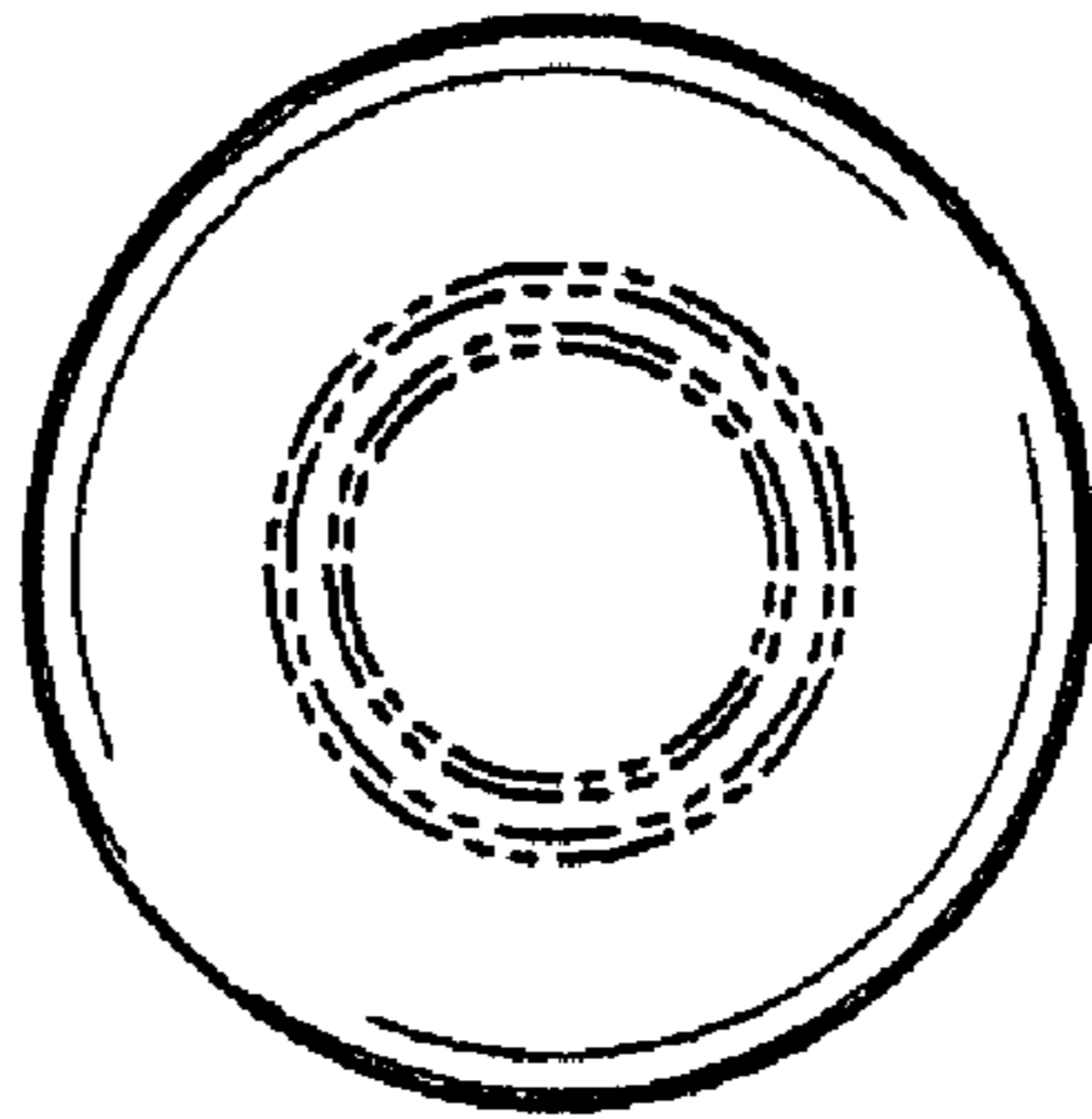


FIG. 5

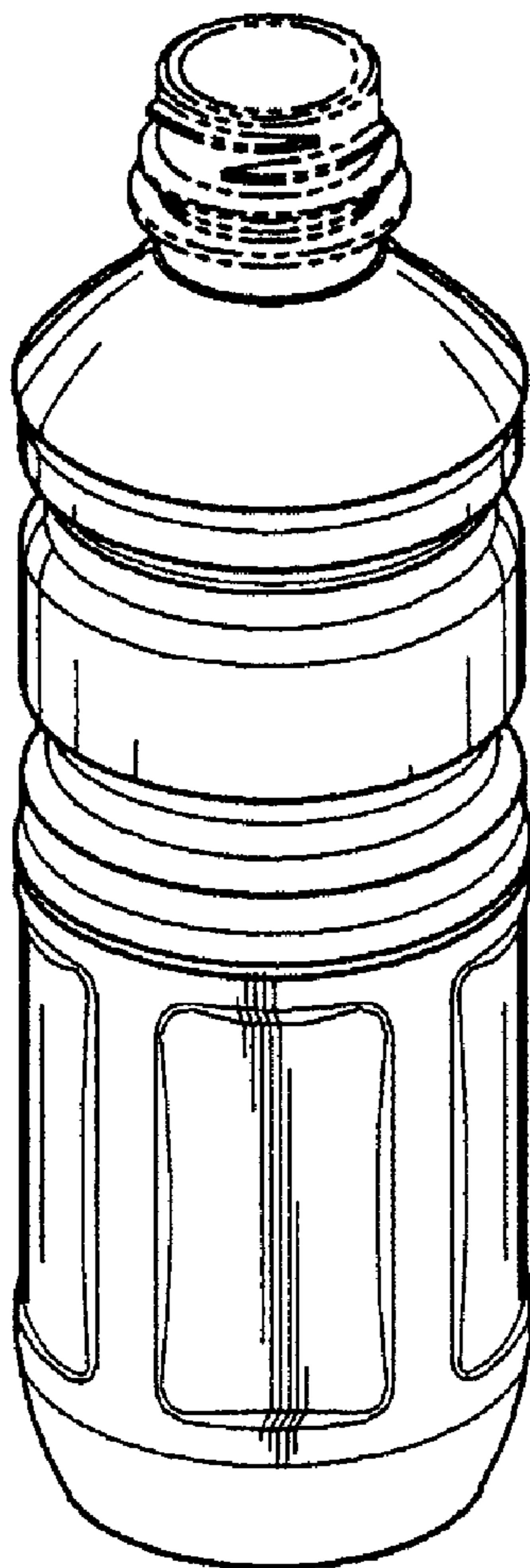


FIG. 6

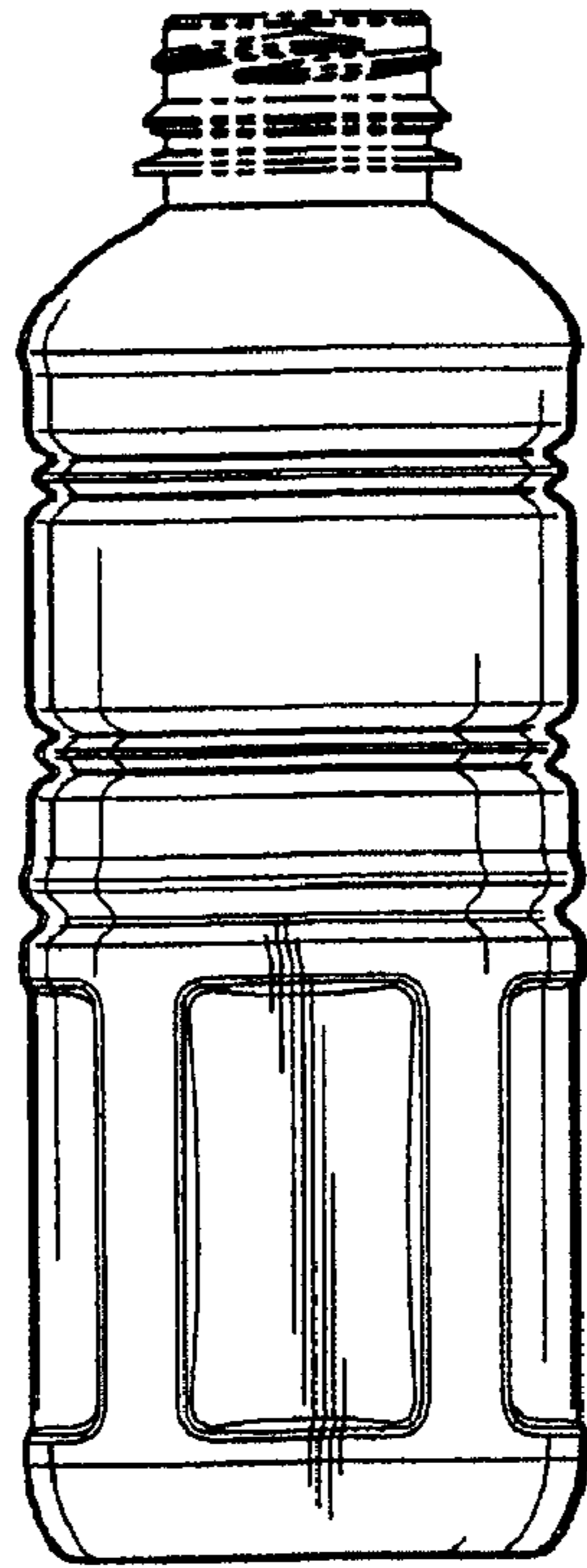


FIG. 7

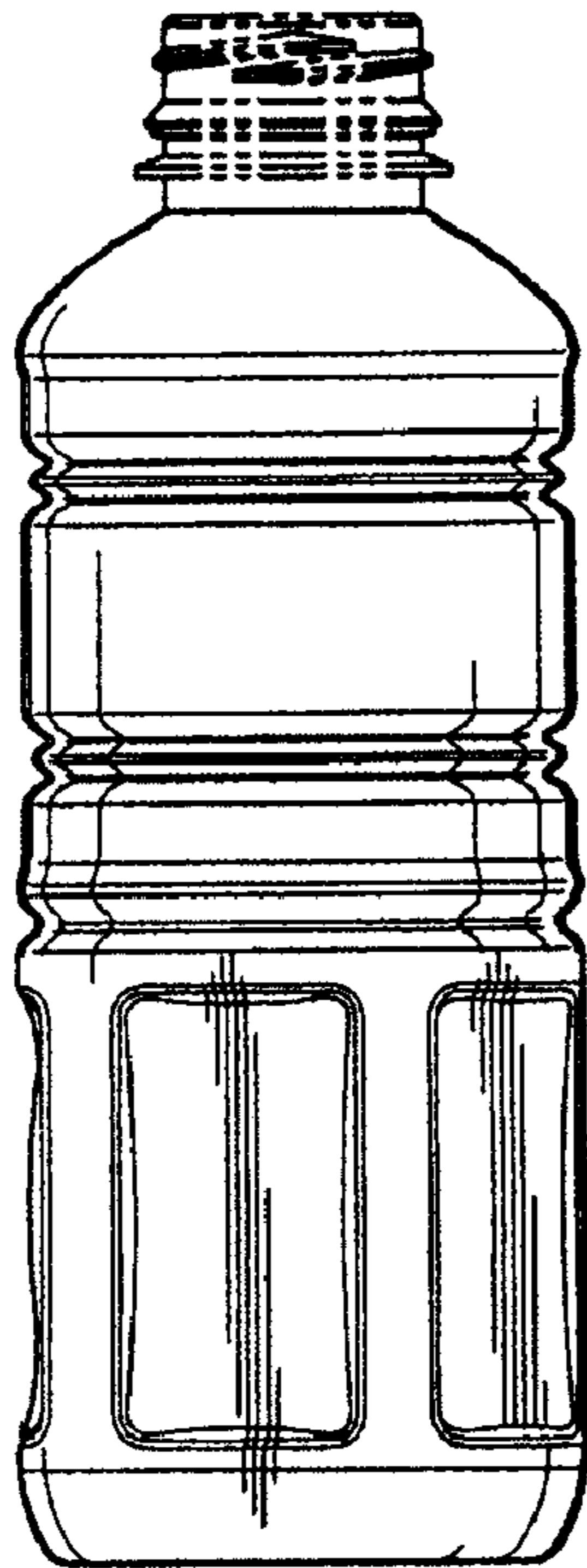


FIG. 8

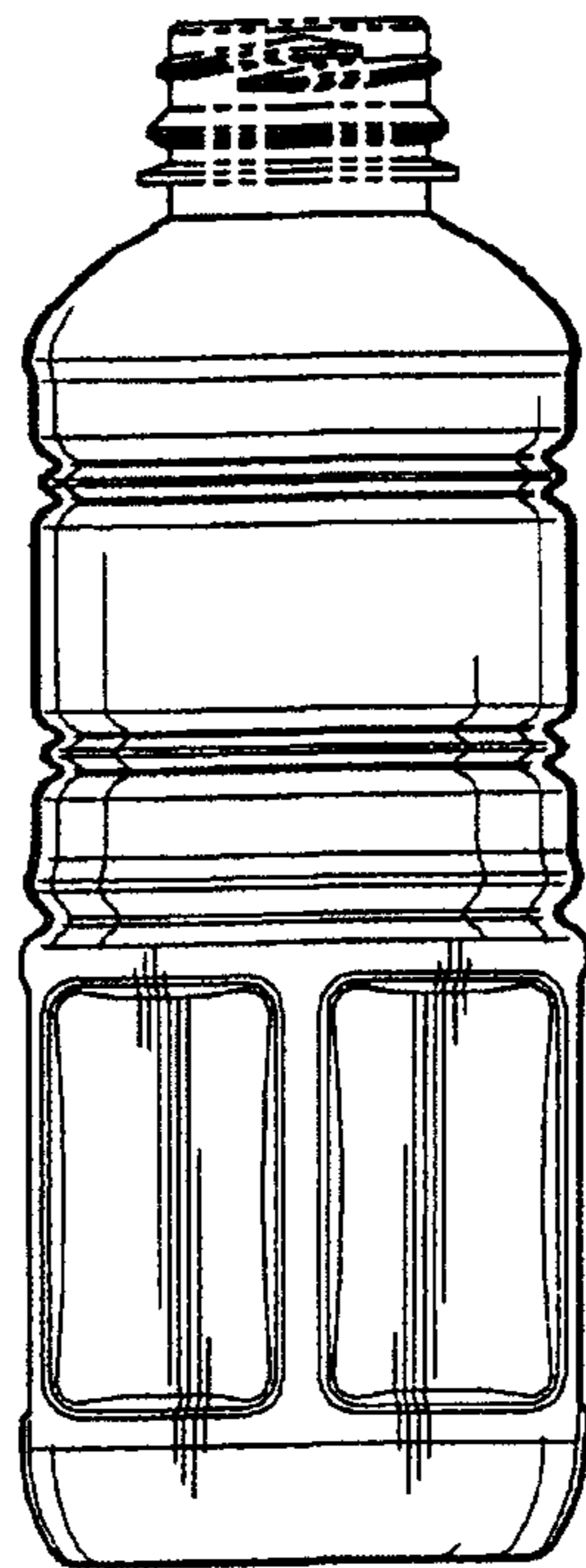


FIG. 9

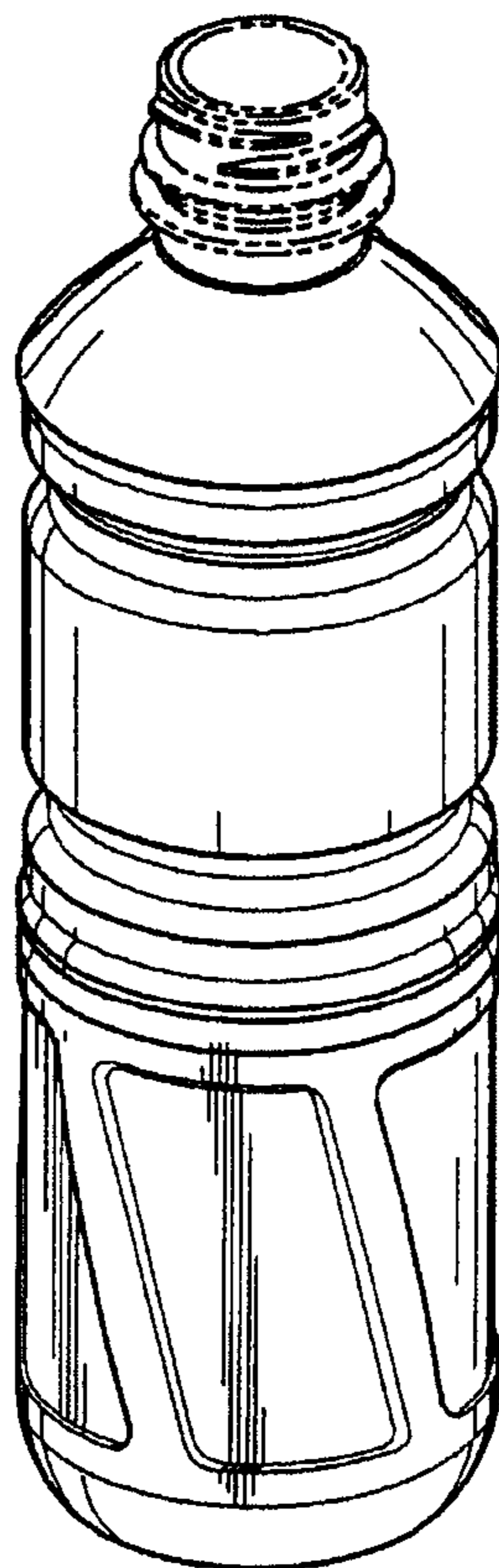


FIG. 10

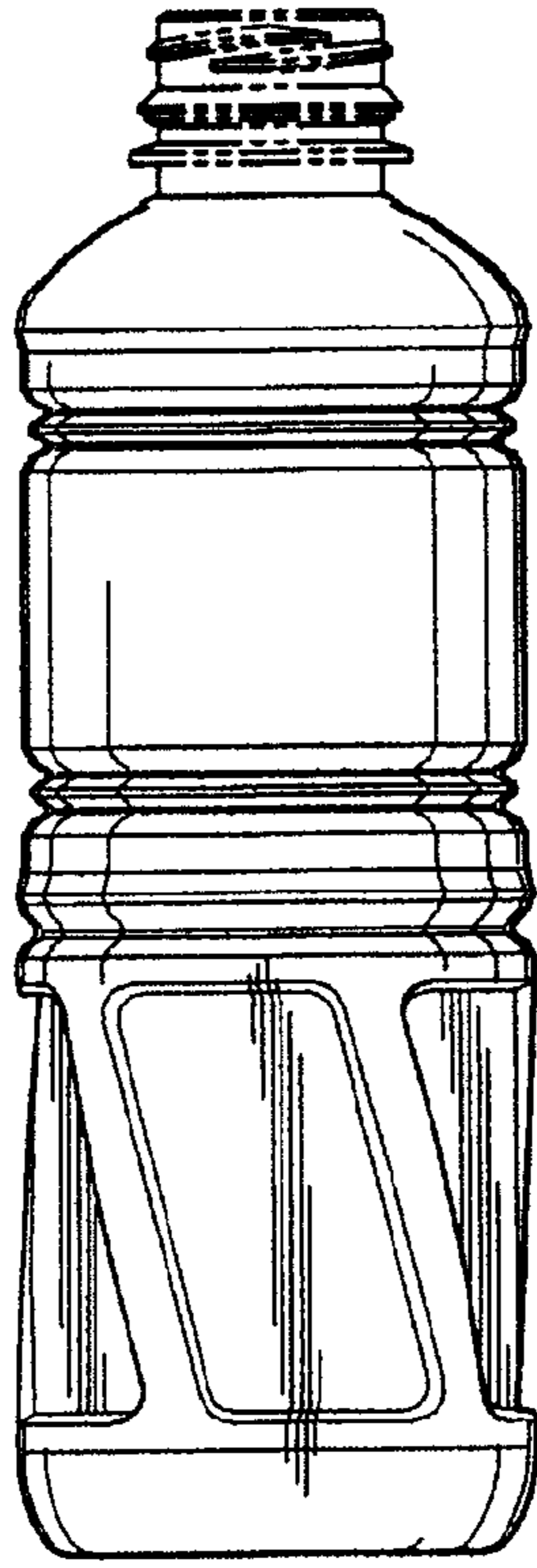


FIG. 11

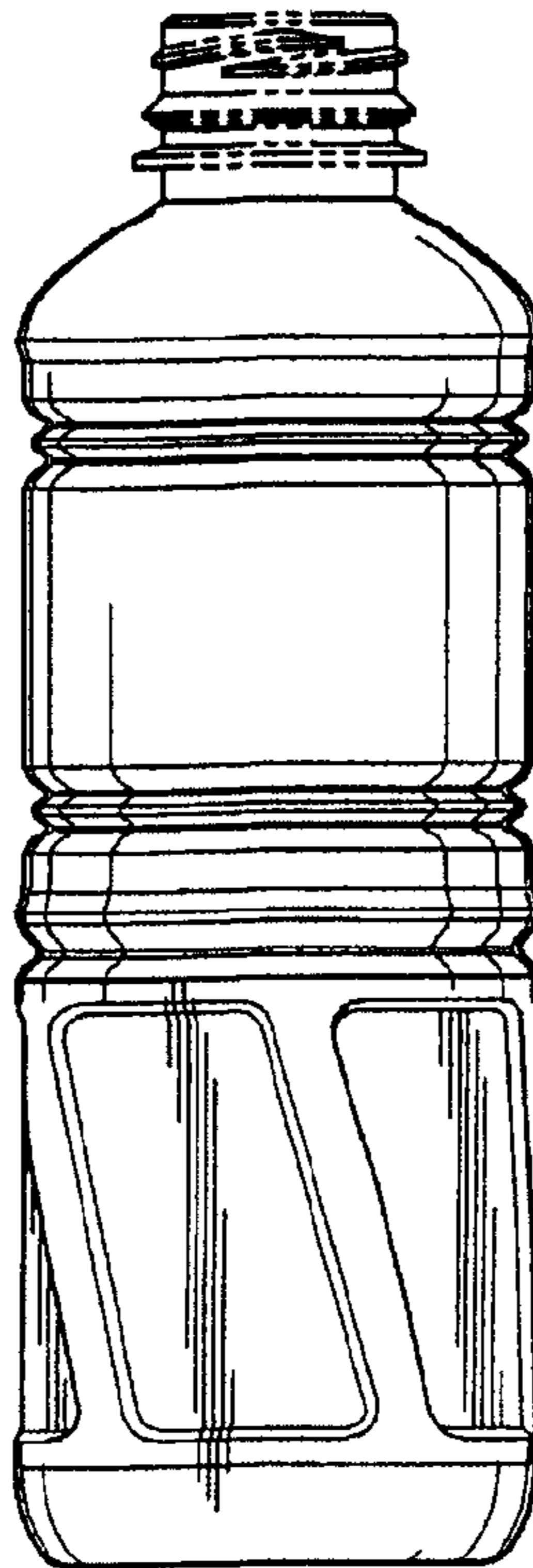


FIG. 12

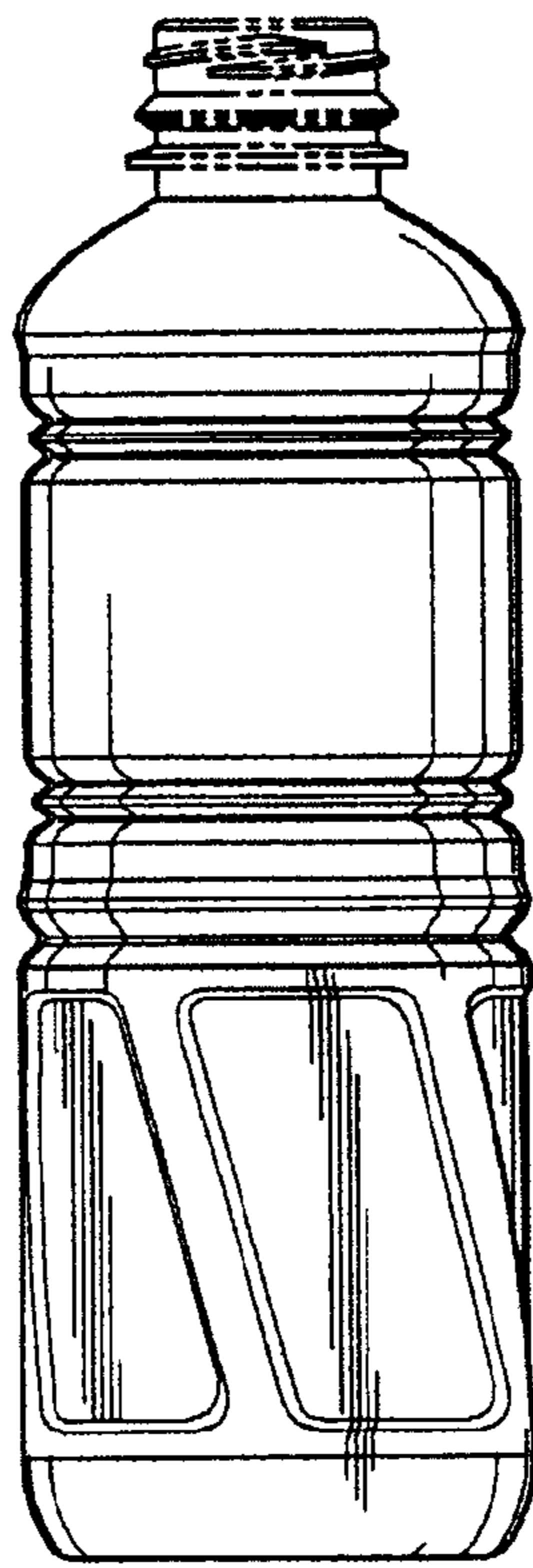


FIG. 13

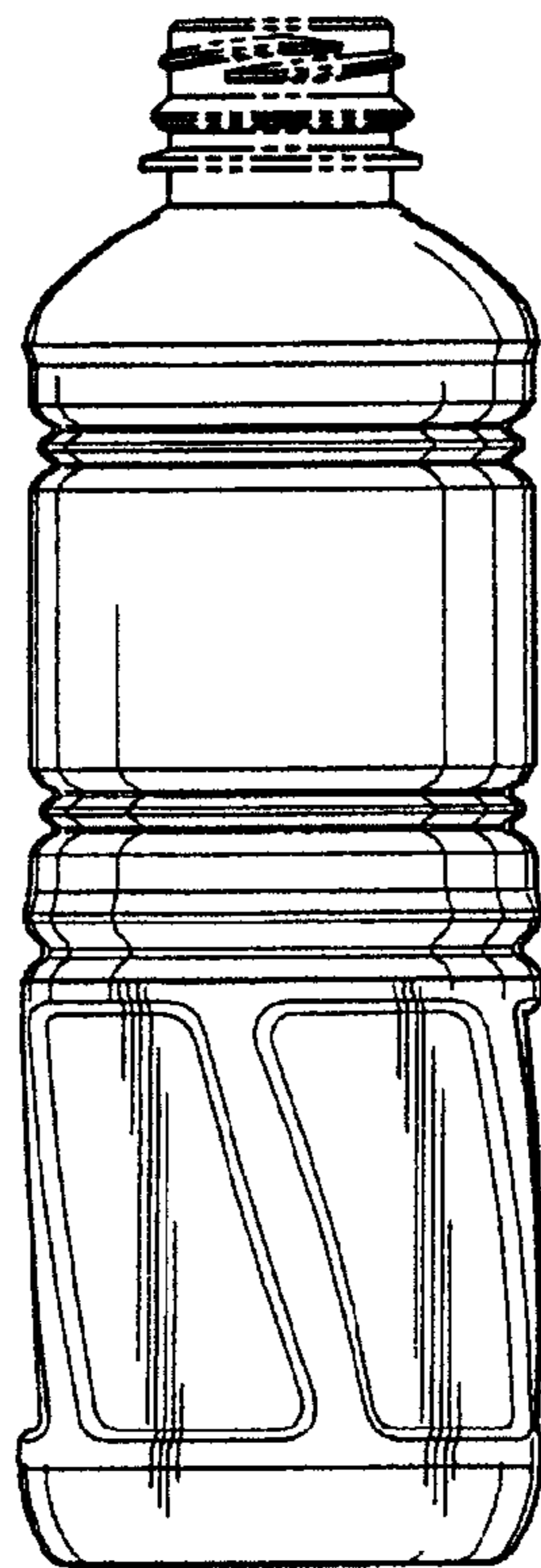


FIG. 14