



US00D527268S

(12) **United States Design Patent**
Kitamura et al.

(10) **Patent No.:** **US D527,268 S**

(45) **Date of Patent:** **** Aug. 29, 2006**

(54) **BOTTLE**

(75) Inventors: **Nobuyuki Kitamura**, Yawata (JP);
Motoki Tamura, Takatsuki (JP);
Satoshi Matsumura, Kyoto (JP)

(73) Assignee: **The Procter & Gamble Company**,
Cincinnati, OH (US)

(**) Term: **14 Years**

(21) Appl. No.: **29/213,302**

(22) Filed: **Sep. 15, 2004**

(51) **LOC (8) Cl.** **09-01**

(52) **U.S. Cl.** **D9/528**

(58) **Field of Classification Search** D9/523,
D9/527, 528, 530, 531, 543, 575; 215/382-386,
215/396, 398; 220/675, 771; 222/465.1, 767
See application file for complete search history.

(56) **References Cited**

U.S. PATENT DOCUMENTS

- D304,423 S * 11/1989 Beaver D9/528
- D314,140 S * 1/1991 Kornick et al. D9/528
- D323,457 S * 1/1992 Bunce et al. D9/528
- D323,981 S * 2/1992 Satterfield D9/527

- D329,816 S * 9/1992 Beaver et al. D9/528
- D352,905 S * 11/1994 Beaver et al. D9/528
- D439,520 S * 3/2001 Walther et al. D9/528
- D466,815 S * 12/2002 Sweeton D9/523

* cited by examiner

Primary Examiner—Stella Reid

Assistant Examiner—Shanda C. Hill

(74) *Attorney, Agent, or Firm*—Mark A. Charles; Brahm J. Corstanje; Kim William Zerby

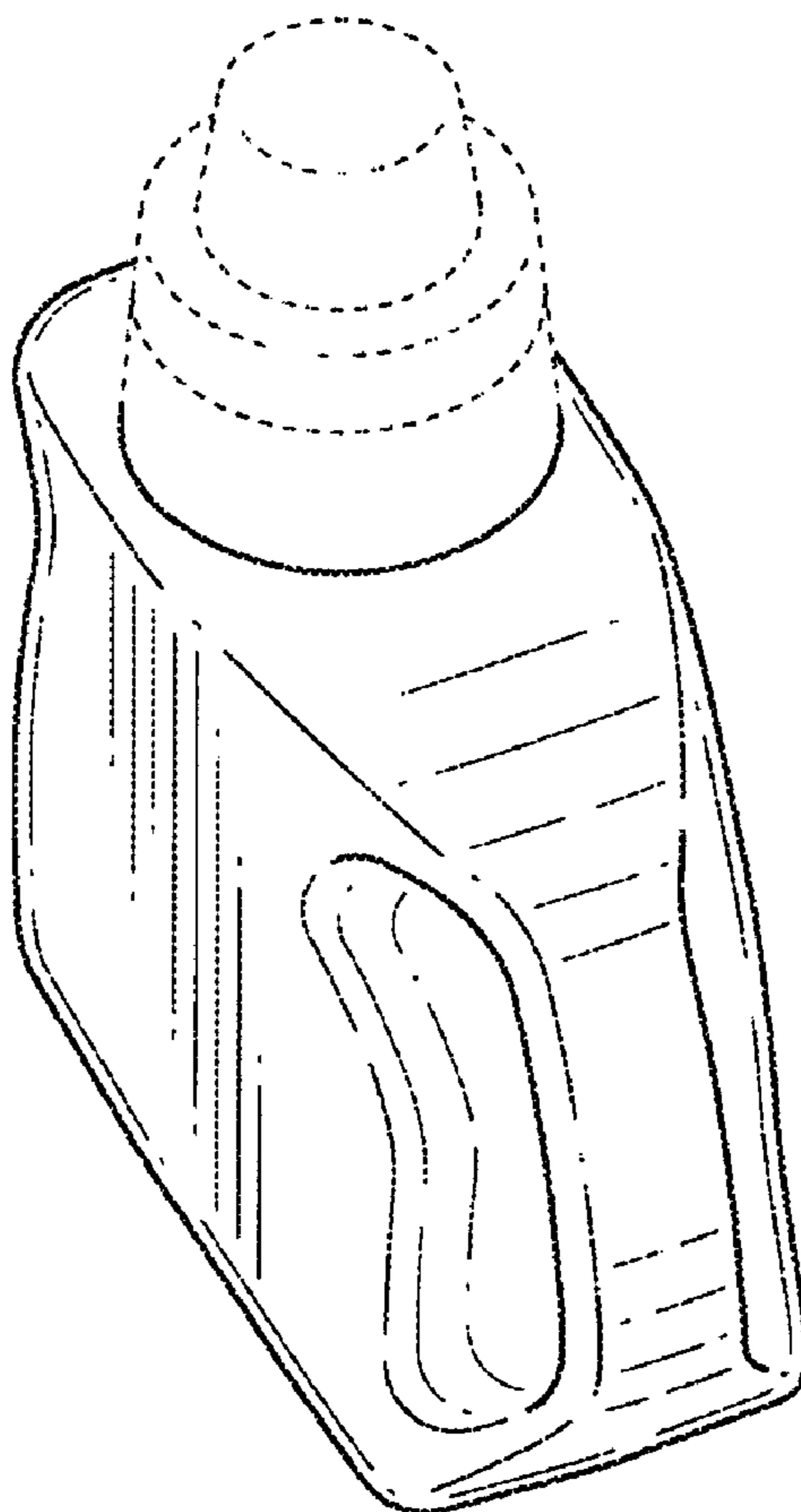
(57) **CLAIM**

The ornamental design for a bottle, as shown and described.

DESCRIPTION

FIG. 1 is a perspective view of a bottle, embodying our new design;
 FIG. 2 is a left side view thereof;
 FIG. 3 is a right side view thereof;
 FIG. 4 is a back view thereof;
 FIG. 5 is a front view thereof;
 FIG. 6 is a top plan view thereof; and,
 FIG. 7 is a bottom plan view thereof.
 The broken line showing of a bottle is for illustrative purposes only and forms no part of the claimed design.

1 Claim, 4 Drawing Sheets



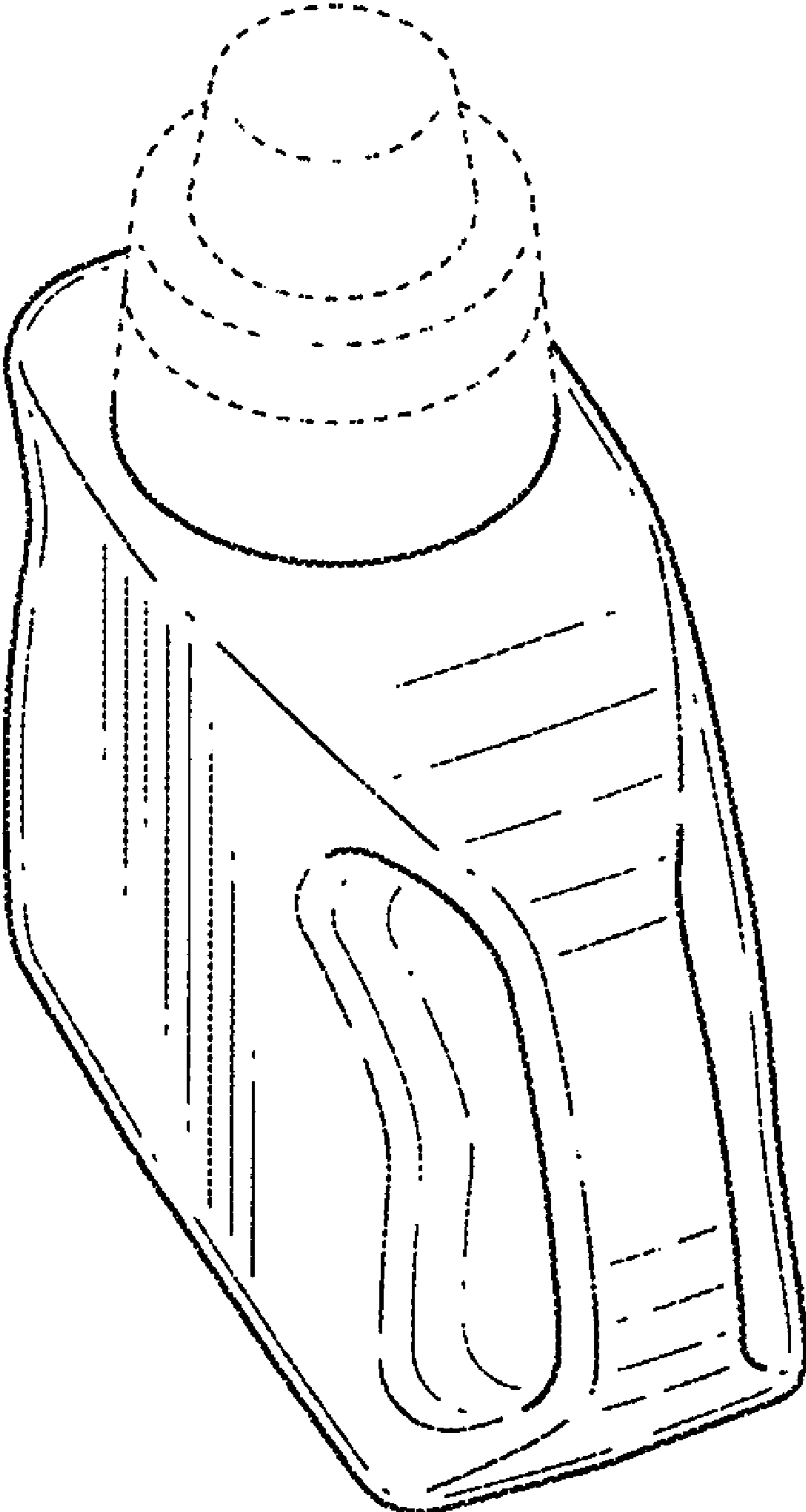


Fig. 1

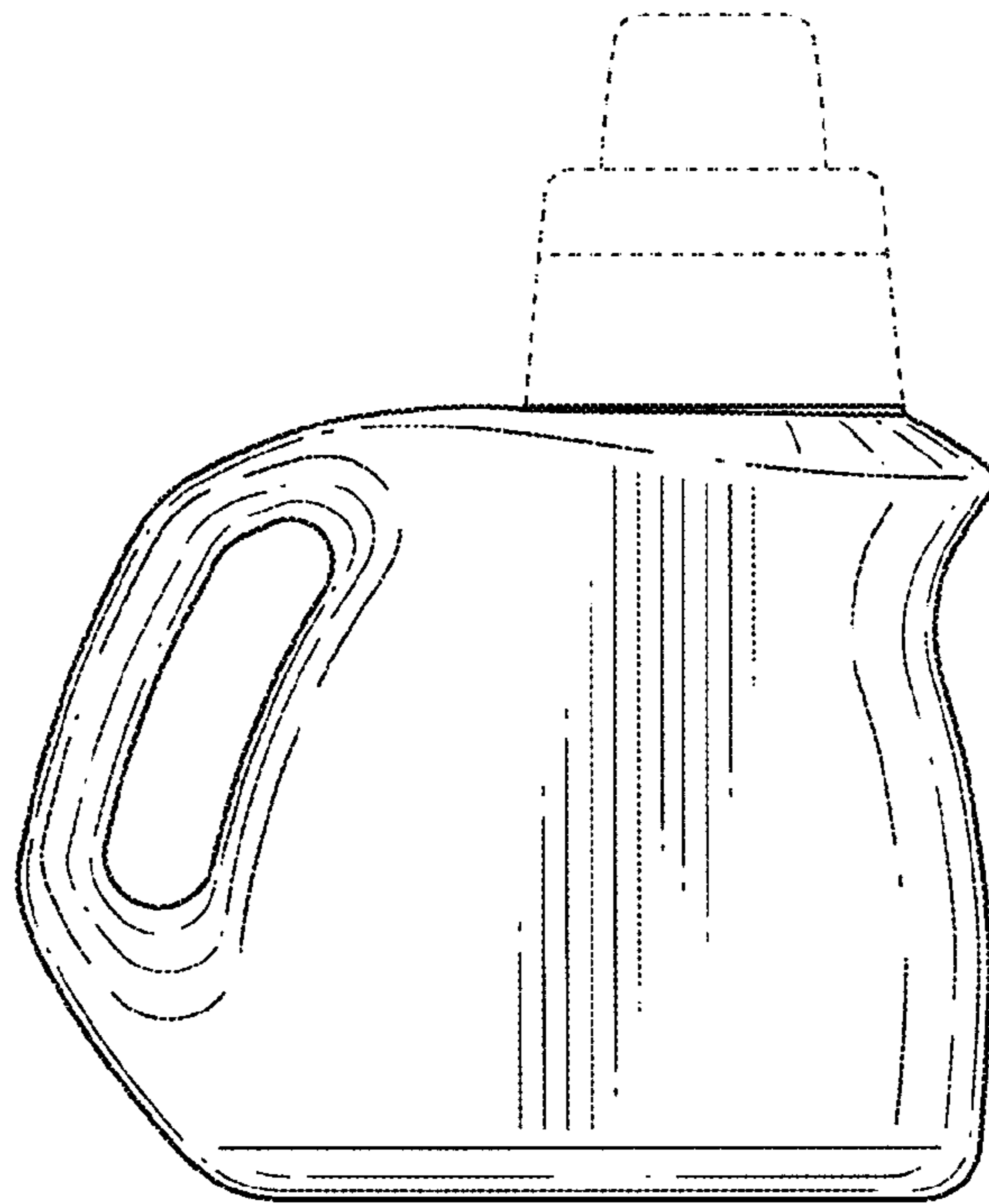


Fig. 2

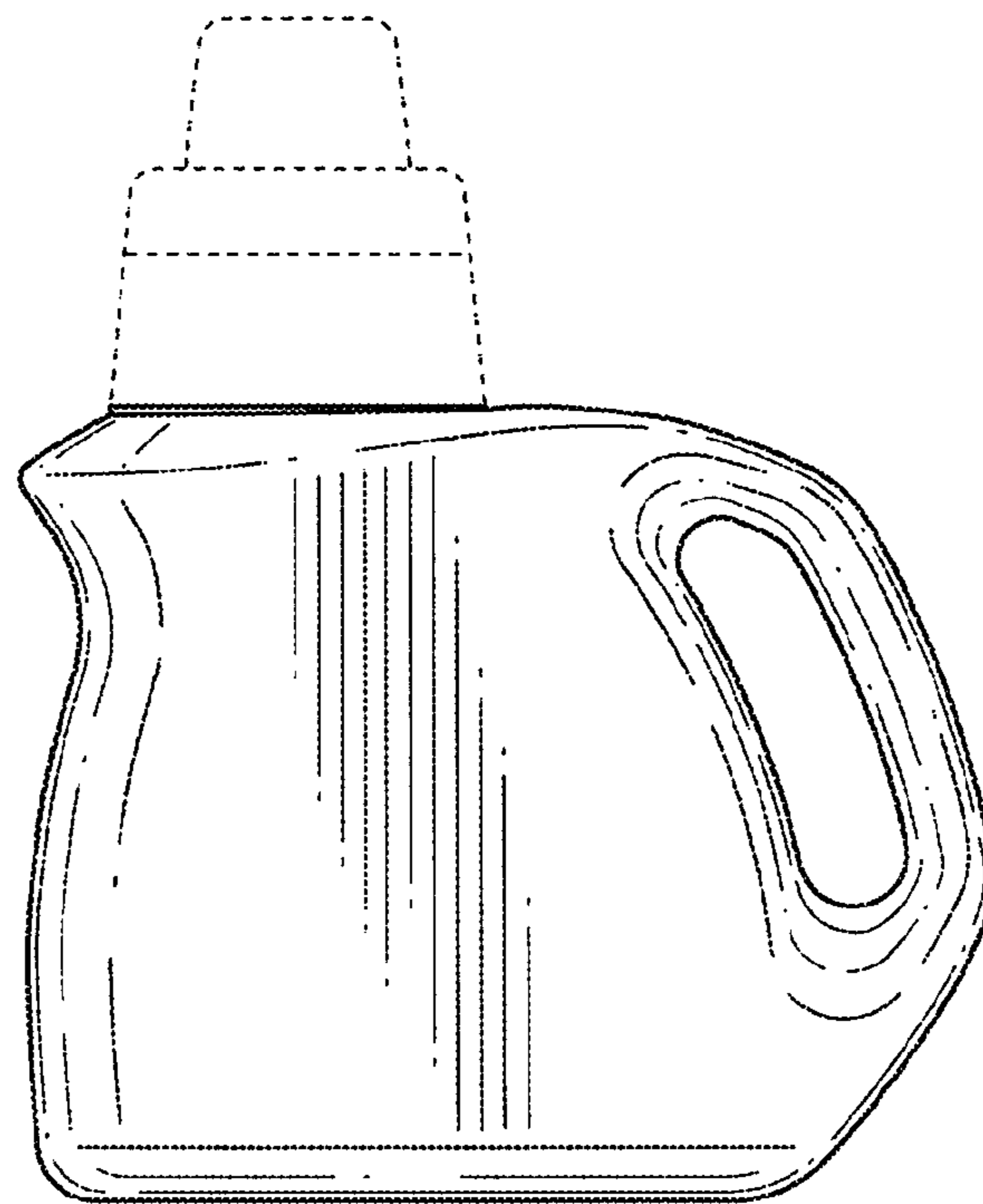


Fig. 3

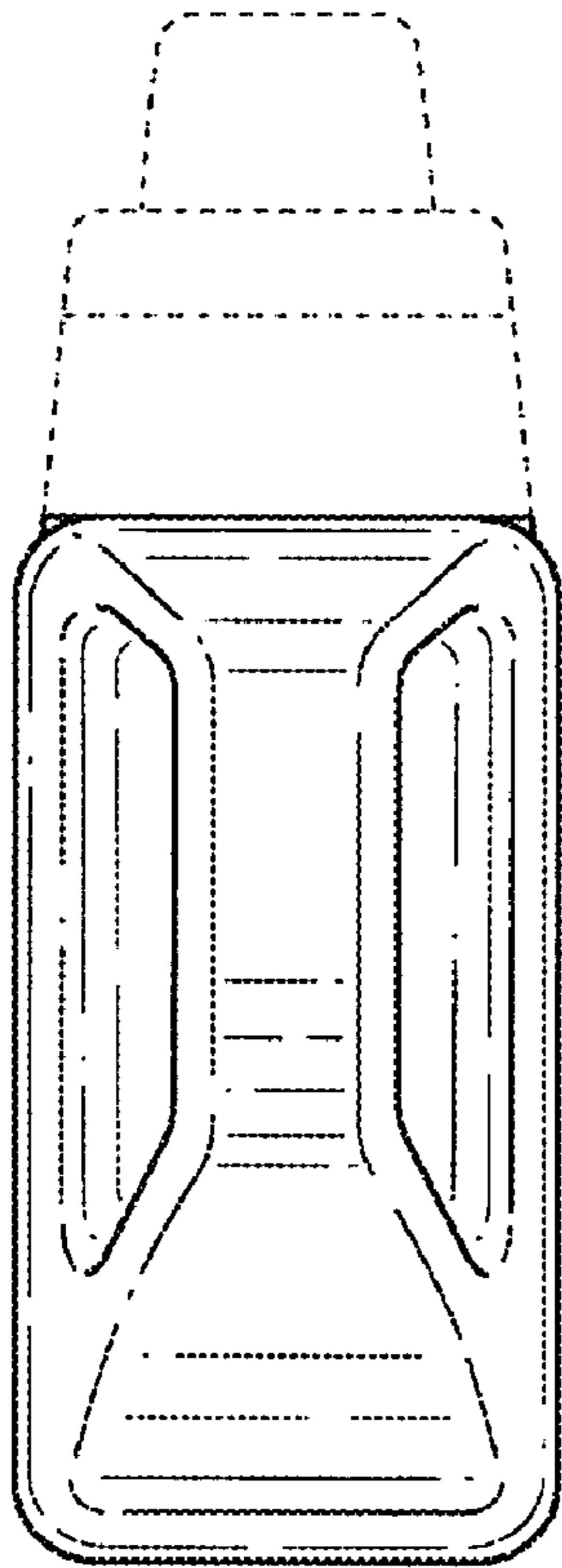


Fig. 4

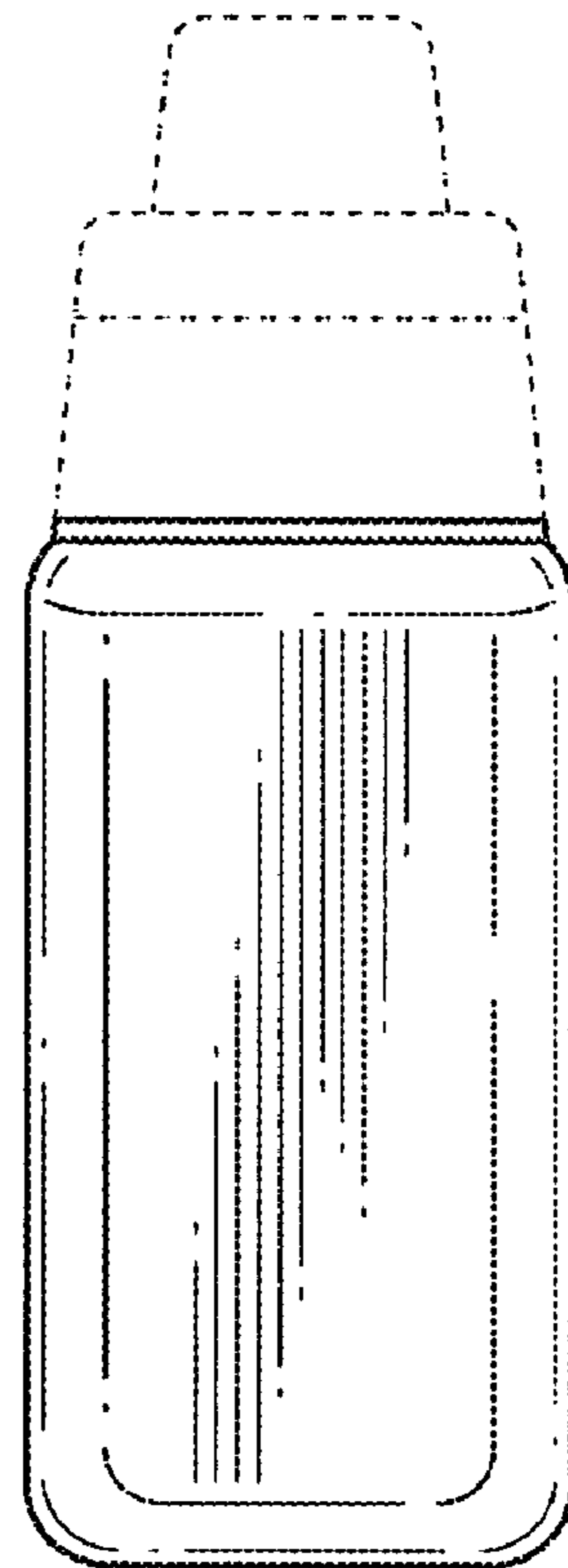


Fig. 5

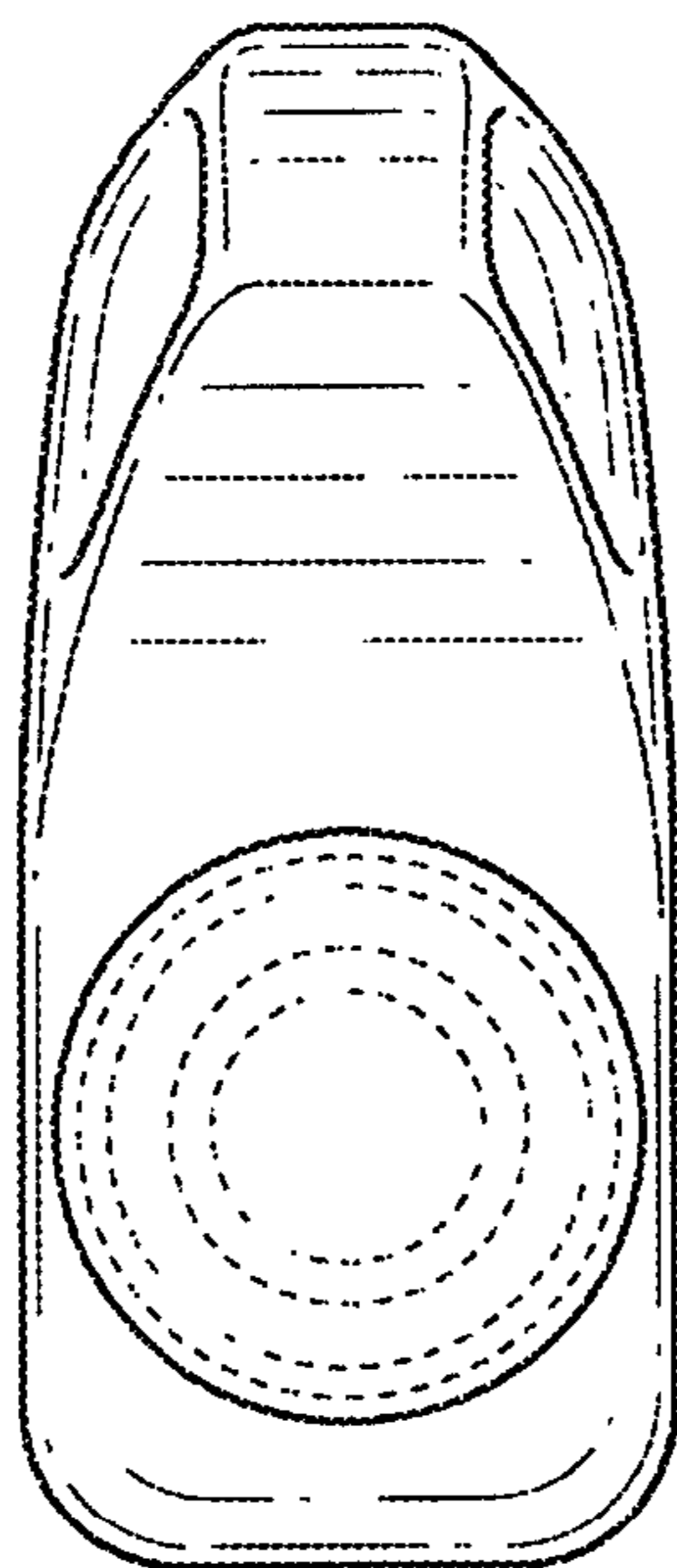


Fig. 6

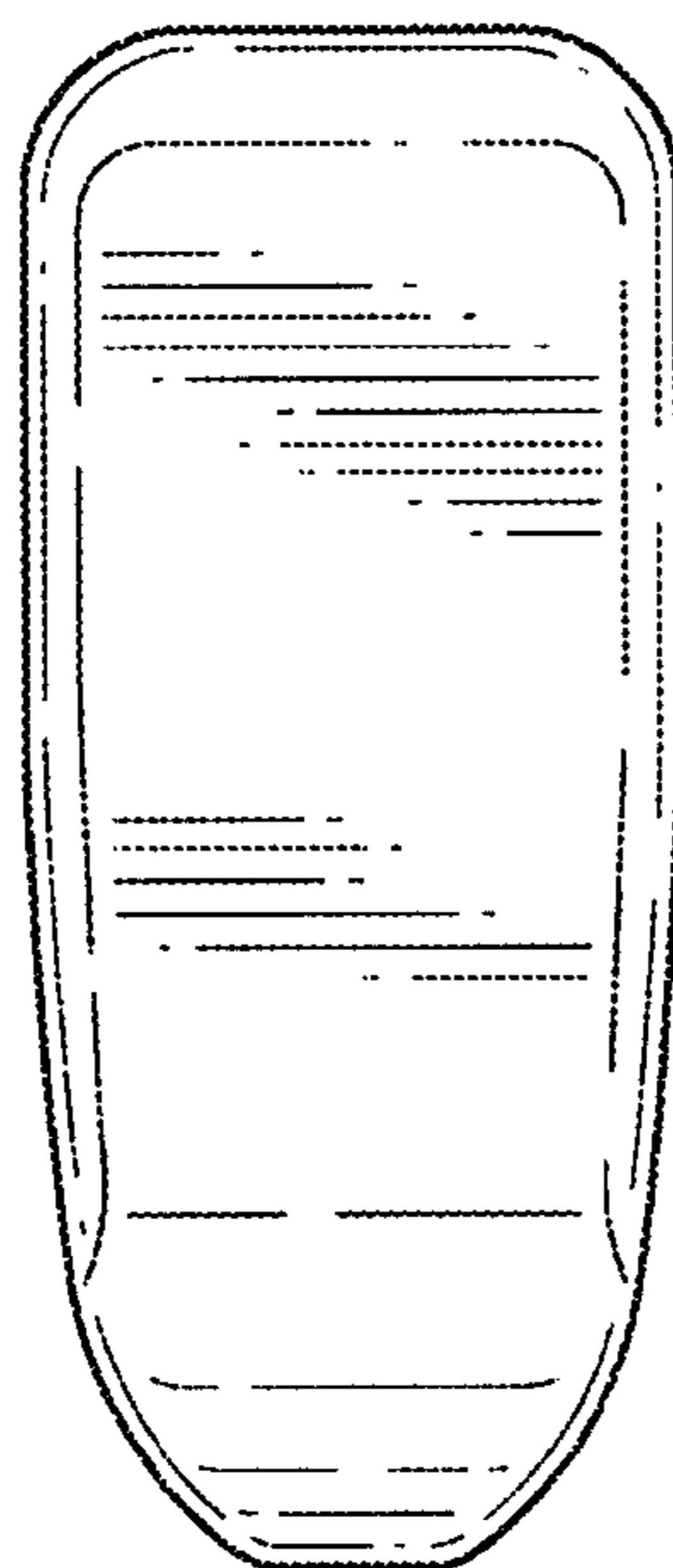


Fig. 7