



US00D527267S

(12) **United States Design Patent** (10) **Patent No.:** **US D527,267 S**  
**Zboch et al.** (45) **Date of Patent:** **\*\* Aug. 29, 2006**

(54) **BOTTLE PORTION** D179,173 S \* 11/1956 Wilson ..... D9/552  
D188,133 S 6/1960 Bindman  
(75) Inventors: **Gerald Zboch**, Barrington, IL (US); D188,138 S \* 8/1960 Bindman ..... D9/552  
**Tracy M. Momany**, Sylvania, OH  
(US); **Robert J. Groll**, Oregon, OH D345,693 S 4/1994 Edstrom  
(US) 5,704,503 A 1/1998 Krishnakumar et al.  
D393,802 S \* 4/1998 Collette et al. .... D9/502  
D398,855 S \* 9/1998 Ito ..... D9/537  
D403,243 S 12/1998 Takeuchi et al.  
(73) Assignee: **Stokely-Van Camp, Inc.**, Chicago, IL  
(US)  
(\*\*) Term: **14 Years** (Continued)

(21) Appl. No.: **29/239,540**  
(22) Filed: **Sep. 30, 2005**

**Related U.S. Application Data**

(60) Continuation of application No. 29/222,491, filed on Jan. 31, 2005, now abandoned, which is a division of application No. 29/190,386, filed on Sep. 19, 2003, now Pat. No. Des. 506,139.

(51) **LOC (8) Cl.** ..... **09-01**  
(52) **U.S. Cl.** ..... **D9/516; D9/552; D9/556**  
(58) **Field of Classification Search** ..... D9/500,  
D9/502, 516, 537-541, 549-554, 556-558,  
D9/560, 563-567, 569-570, 574-575, 636,  
D9/643, 645, 655, 657-658, 661, 664-665;  
215/382-384, 396, 398, 400  
See application file for complete search history.

(56) **References Cited**

**U.S. PATENT DOCUMENTS**

D67,464 S 6/1925 Johnson  
D96,106 S 7/1935 Fuerst  
D104,342 S \* 5/1937 Duncan III, et al. .... D7/529  
D111,212 S \* 9/1938 Meyer ..... D9/552

**FOREIGN PATENT DOCUMENTS**

JP 1021603 7/1998  
WO DM M9805557.7 11/1998  
WO DM/047535 \* 3/1999  
WO DM/052622 \* 6/2000  
WO DM/059103 \* 4/2001  
WO DM/062865 \* 1/2003

*Primary Examiner*—Carol Rademaker

(74) *Attorney, Agent, or Firm*—Goodwin Procter LLP

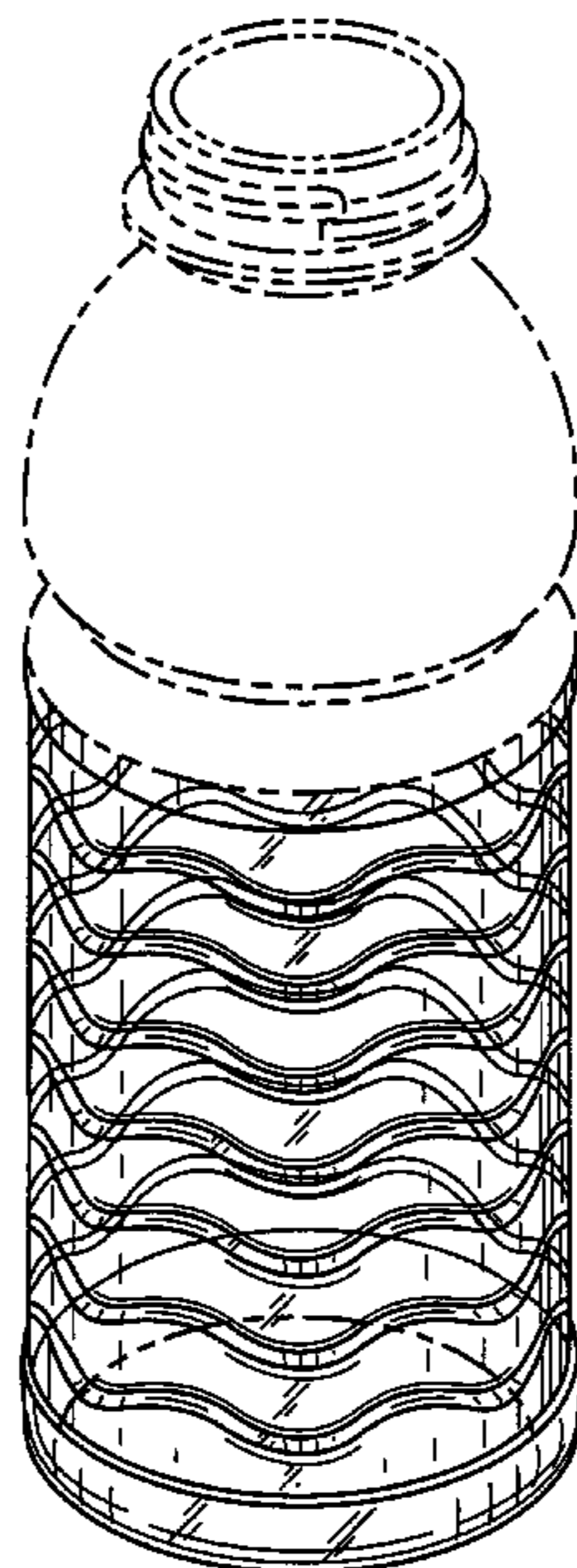
(57) **CLAIM**

The ornamental design for a bottle portion, as shown and described.

**DESCRIPTION**

FIG. 1 is a perspective view showing the new design for a bottle portion;  
FIG. 2 is a front elevation view thereof, the rear elevational view being identical except for the unclaimed thread;  
FIG. 3 is a left side elevation view thereof, the right side elevational view being identical except for the unclaimed thread; and,  
FIG. 4 is a bottom plan view thereof.  
The broken line showing in the drawings is for environmental purposes only and forms no part of the claimed design.

**1 Claim, 2 Drawing Sheets**



# US D527,267 S

Page 2

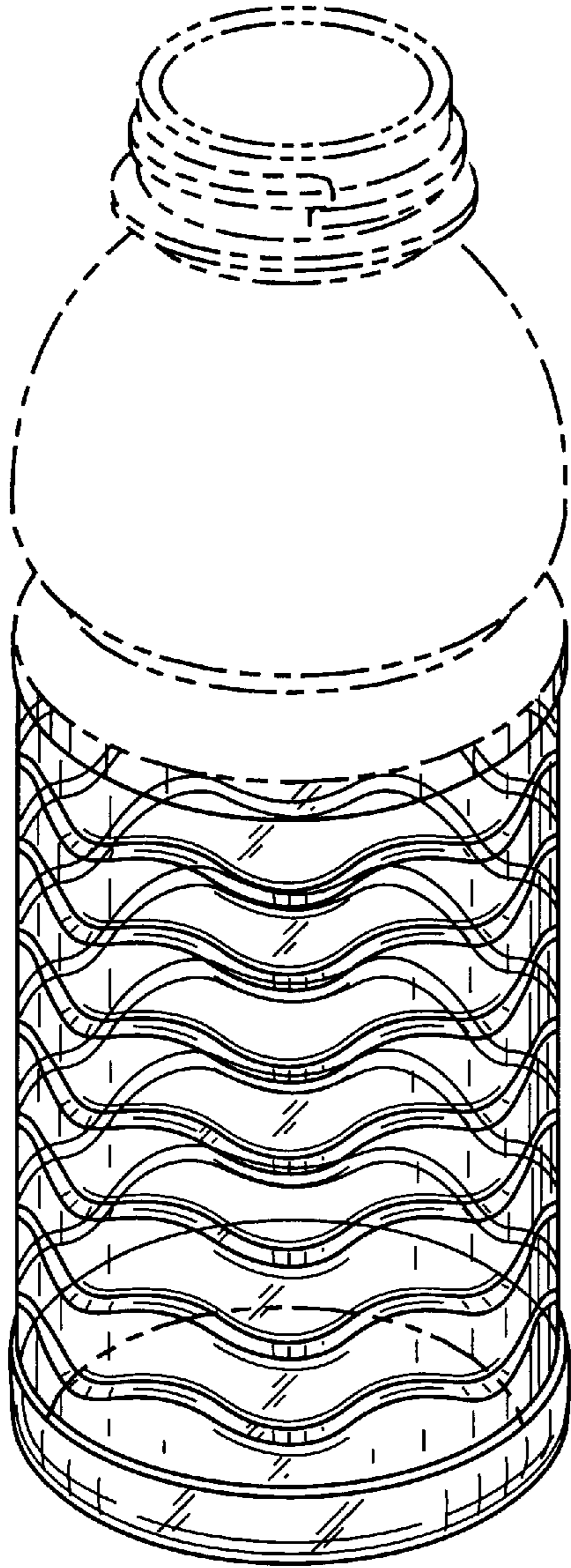
---

## U.S. PATENT DOCUMENTS

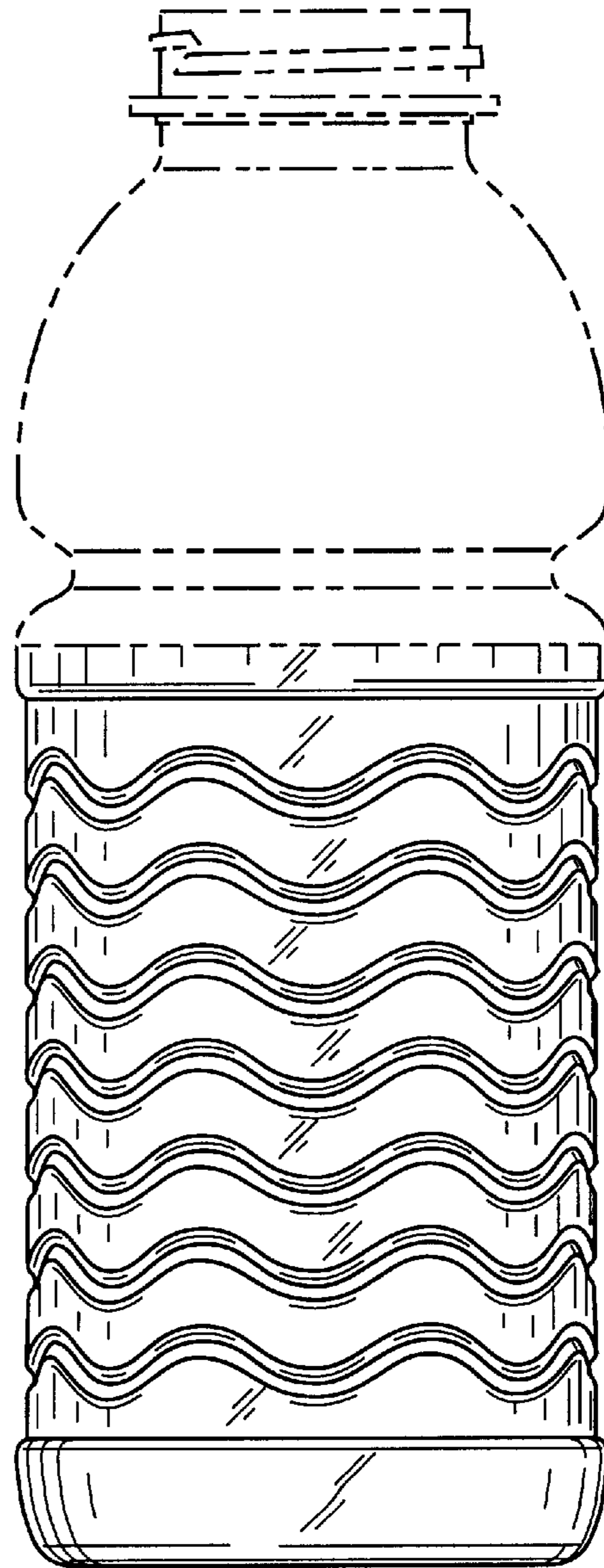
D404,311 S	1/1999	Zimmer et al.		D447,061 S	8/2001	Peck	
D412,085 S	* 7/1999	Roush et al. ....	D7/396.2	D463,292 S	9/2002	Del Bianco	
D414,112 S	9/1999	Waggaman et al.		6,581,794 B1	6/2003	Boukobza	
D415,413 S	* 10/1999	Cummings .....	D9/693	D480,650 S	10/2003	Moore et al.	
D417,156 S	11/1999	Veysiére		D491,071 S	6/2004	Degeyter et al.	
D423,940 S	5/2000	Chimetto		D493,370 S	7/2004	Kamineni et al.	
D424,948 S	5/2000	Ulmo		D494,473 S	* 8/2004	Yourist .....	D9/516
D430,036 S	8/2000	Steward et al.		D496,280 S	9/2004	Mero et al.	
D432,018 S	10/2000	Steward		D503,309 S	3/2005	Yu	
D434,272 S	* 11/2000	Johansen et al. ....	D7/396.6	D503,341 S	3/2005	Delmotte	

\* cited by examiner

**Fig. 1**

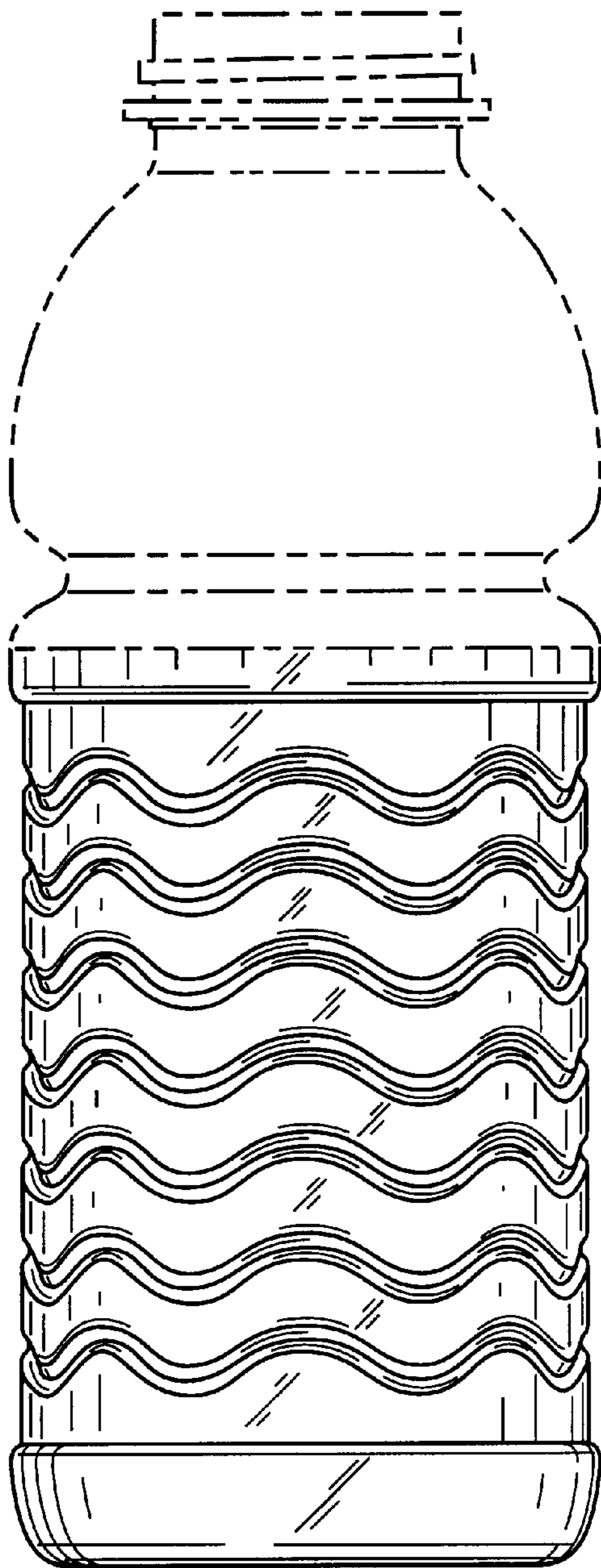


**Fig. 2**





**Fig. 3**



**Fig. 4**

