



US00D527262S

(12) **United States Design Patent**  
**Cooney**

(10) **Patent No.:** **US D527,262 S**

(45) **Date of Patent:** **\*\* Aug. 29, 2006**

(54) **BOTTLE CAP WITH THERMOMETER  
PROBE SLEEVE**

(76) Inventor: **Gerald A. Cooney**, 4455 Rex Rd.,  
Friendswood, TX (US) 77546

(\*\*) Term: **14 Years**

(21) Appl. No.: **29/235,466**

(22) Filed: **Aug. 2, 2005**

(51) **LOC (8) Cl.** ..... **09-07**

(52) **U.S. Cl.** ..... **D9/454**

(58) **Field of Classification Search** ..... D9/499,  
D9/455, 454, 447, 440, 435, 434; D7/700,  
D7/624.1, 619.1; 215/390, 376, 10; 141/364,  
141/319, 310; D6/466, 457, 400; D3/219,  
D3/206, 205

See application file for complete search history.

(56) **References Cited**

**U.S. PATENT DOCUMENTS**

D402,558 S \* 12/1998 Klima et al. .... D9/448  
D402,766 S \* 12/1998 Smith et al. .... D9/455

D443,511 S \* 6/2001 Jensen ..... D9/440  
D470,050 S \* 2/2003 Renz et al. .... D9/434  
D495,060 S \* 8/2004 Hellstrom ..... D9/435  
D513,184 S \* 12/2005 Parker ..... D9/499

\* cited by examiner

*Primary Examiner*—Robert M. Spear

*Assistant Examiner*—Susan Bennett-Hattan

(74) *Attorney, Agent, or Firm*—Kenneth A. Roddy

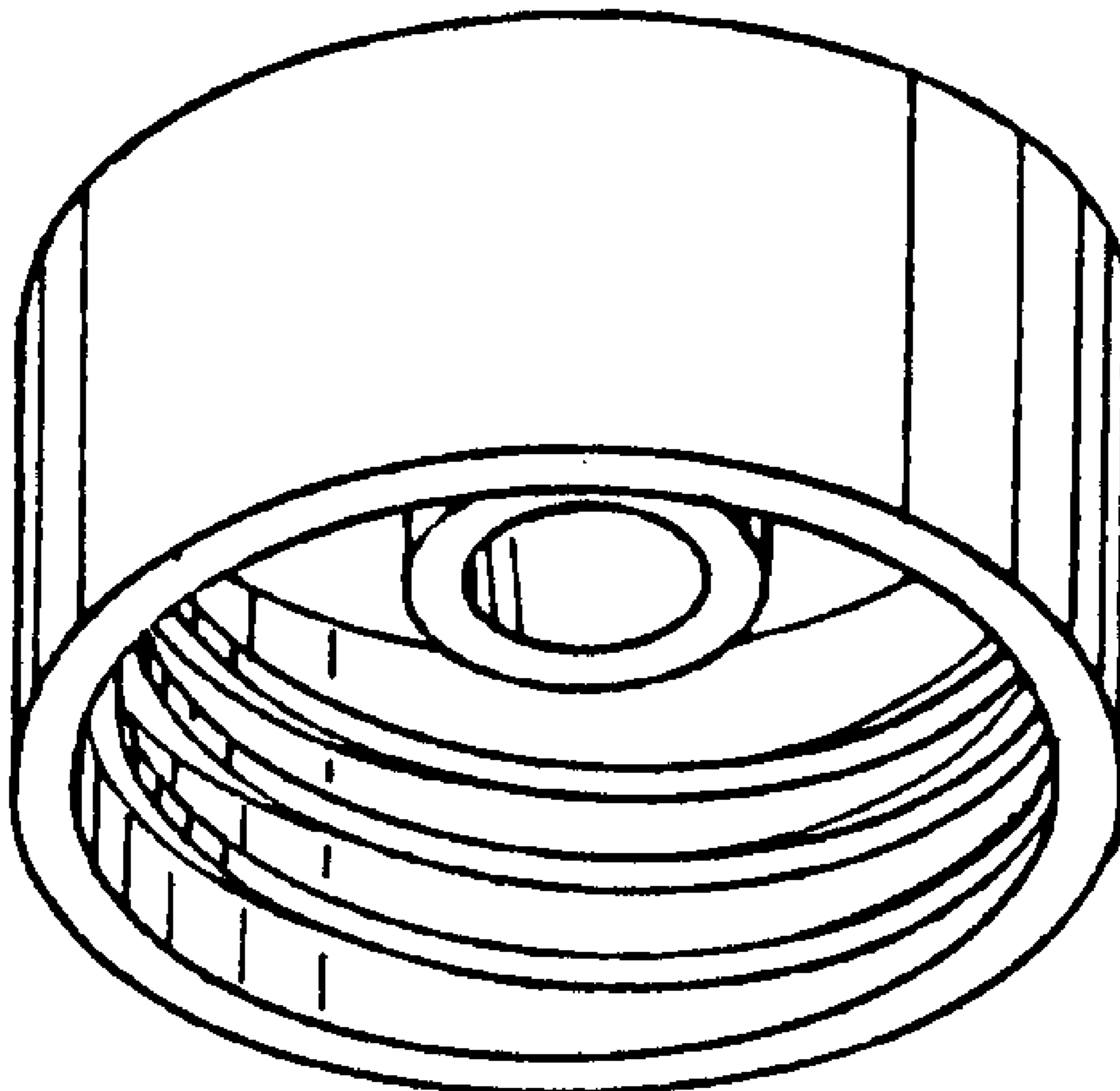
(57) **CLAIM**

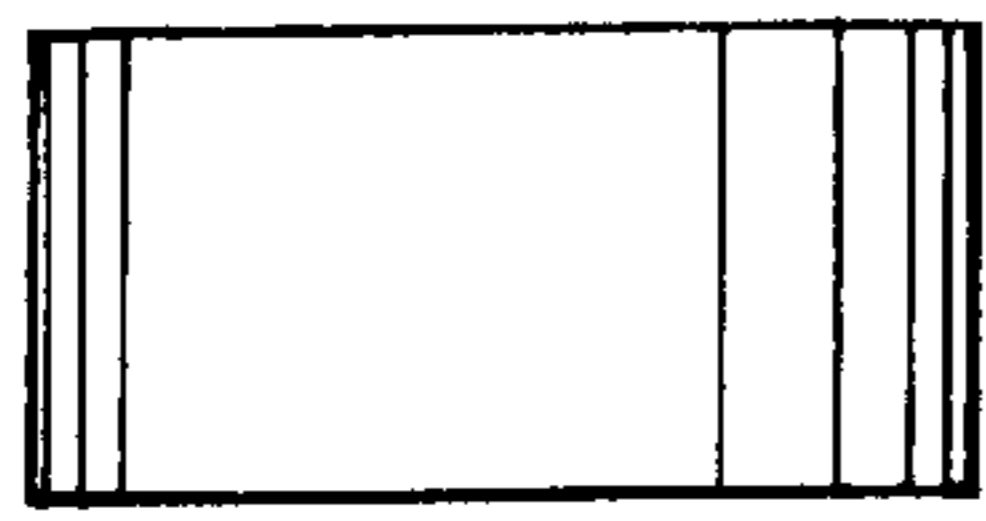
The ornamental design for a bottle cap with thermometer probe sleeve, as shown and described.

**DESCRIPTION**

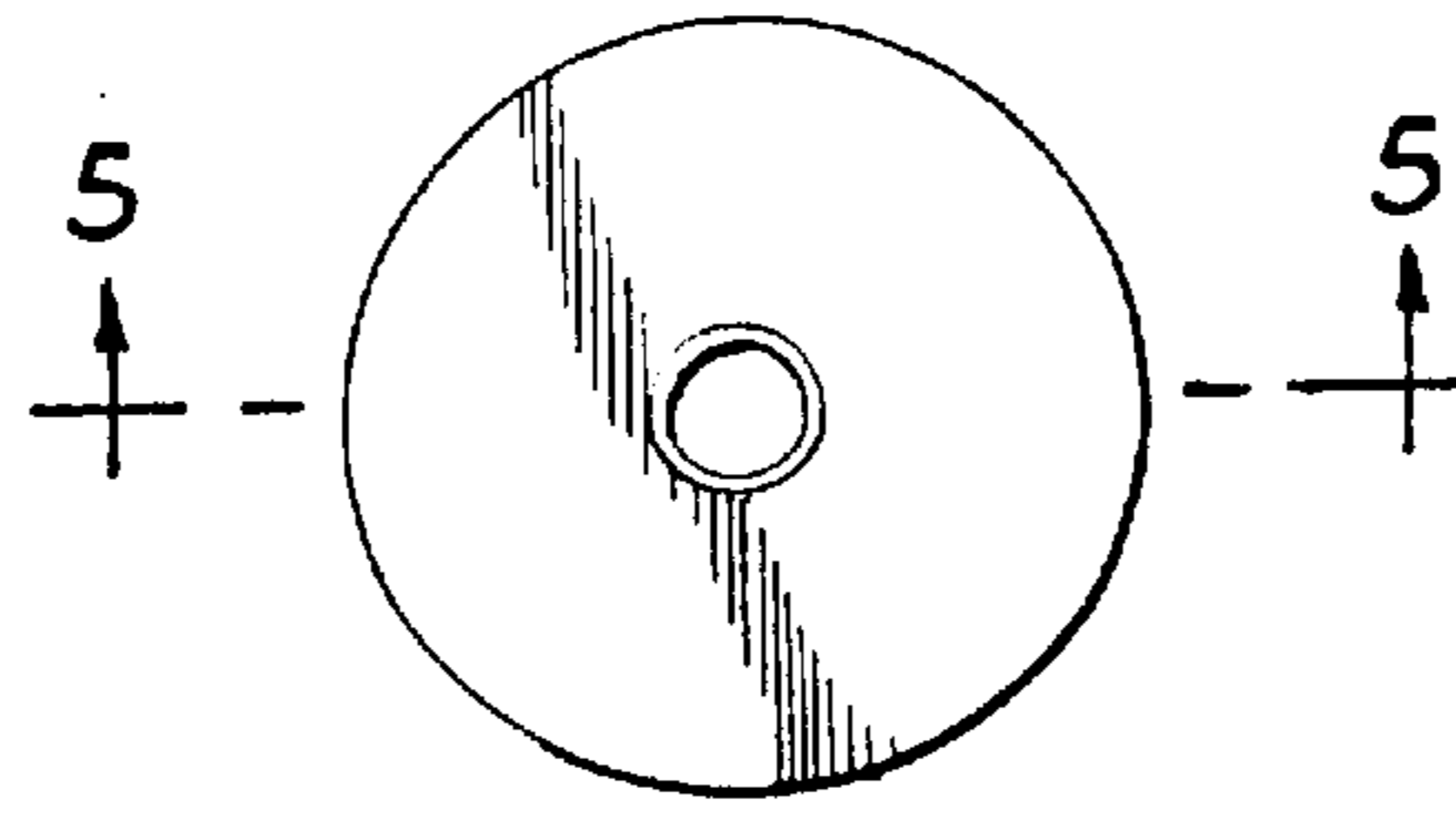
FIG. 1 is a side elevation view of a bottle cap with thermometer probe sleeve, showing my new design;  
FIG. 2 is a top plan view thereof;  
FIG. 3 is a bottom plan view thereof;  
FIG. 4 is a perspective view thereof, as seen from the bottom; and,  
FIG. 5 is a cross sectional view thereof taken along line 5—5 of FIG. 2, more clearly showing the sleeve portion.

**1 Claim, 1 Drawing Sheet**

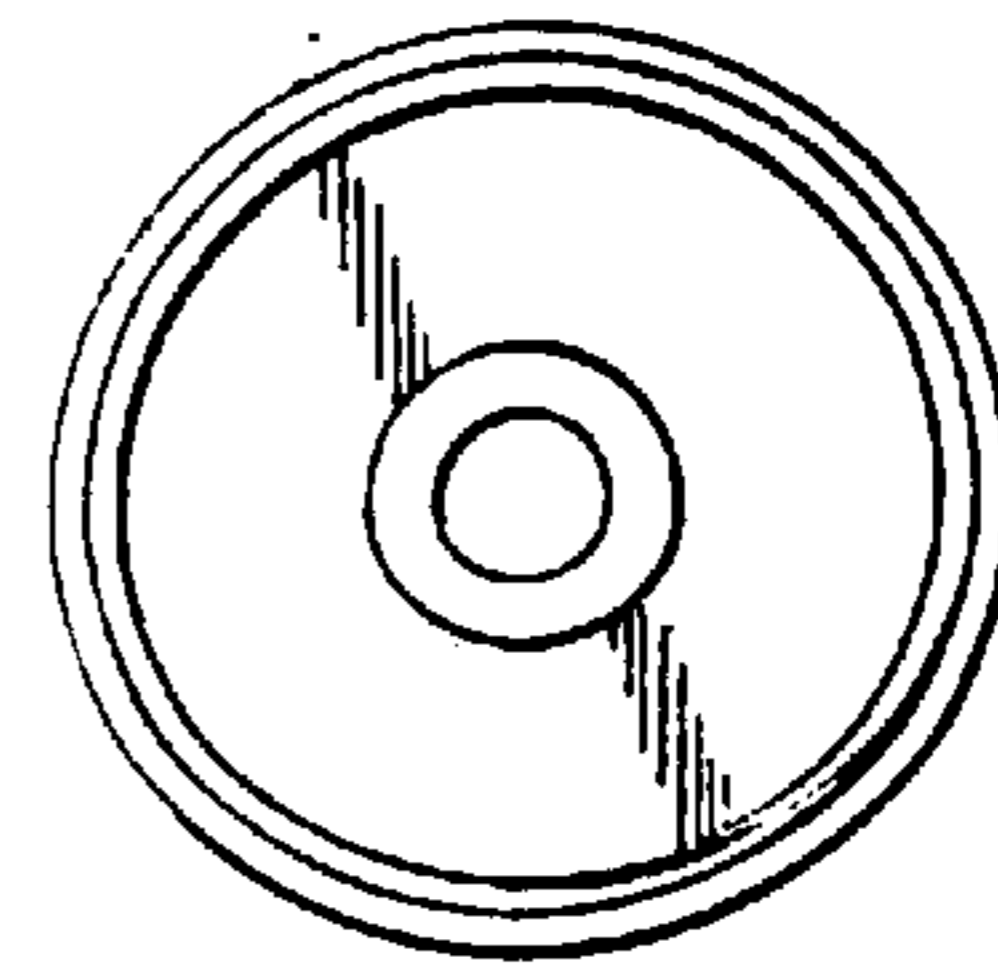




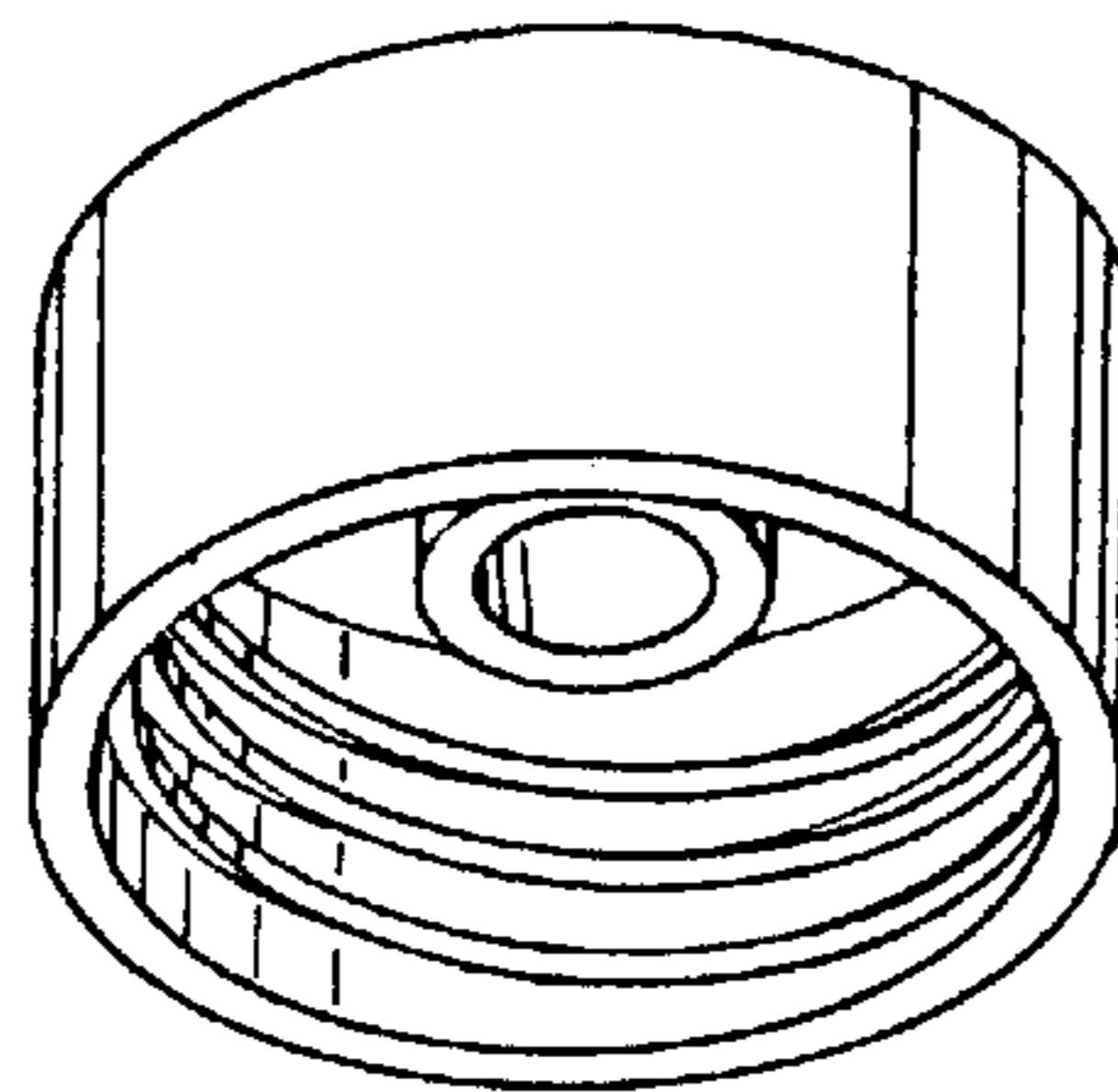
*Fig. 1*



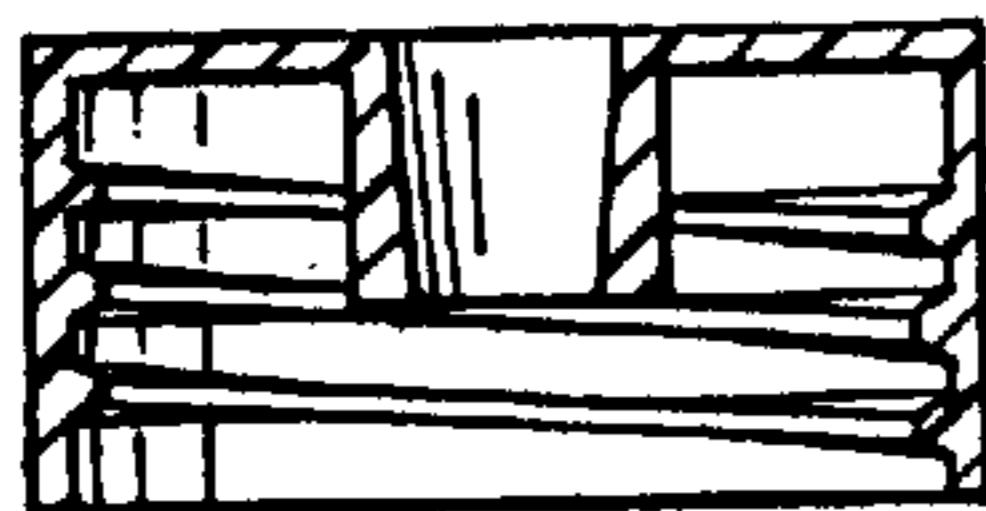
*Fig. 2*



*Fig. 3*



*Fig. 4*



*Fig. 5*