



US00D527258S

(12) **United States Design Patent**
Crawford

(10) **Patent No.:** **US D527,258 S**

(45) **Date of Patent:** **** Aug. 29, 2006**

(54) **DISPENSER SPOUT**

(75) Inventor: **John C. Crawford**, Mahopac, NY (US)

(73) Assignee: **Colgate-Palmolive Company**, New York, NY (US)

(**) Term: **14 Years**

(21) Appl. No.: **29/252,425**

(22) Filed: **Jan. 23, 2006**

(51) **LOC (8) Cl.** **09-07**

(52) **U.S. Cl.** **D9/448**

(58) **Field of Classification Search** D9/682,
D9/549, 529, 450, 449, 448, 447, 440, 435;
D7/587, 558, 555, 554.4, 554.2, 553.6, 553.1,
D7/550.1; D6/550, 542, 536; D23/254, 250,
D23/249; 222/562, 402.13, 402.1, 385, 383.1,
222/372, 321.7, 321.3, 320, 153.13
See application file for complete search history.

(56) **References Cited**

U.S. PATENT DOCUMENTS

4,524,888 A	6/1985	Tada	
4,991,746 A *	2/1991	Schultz	222/153.13
D377,755 S	2/1997	Kotyuk, Jr. et al.	
5,615,806 A *	4/1997	Grothoff	222/153.13
D389,059 S	1/1998	Mascitelli	
D398,529 S	9/1998	Mascitelli	

D399,746 S	10/1998	Hayataka	
5,826,751 A	10/1998	Stahley et al.	
D434,984 S *	12/2000	Wadsworth	D9/448
D436,863 S	1/2001	Wadsworth et al.	
D438,113 S	2/2001	Wadsworth	
D438,468 S	3/2001	Wadsworth	
D438,798 S *	3/2001	Wadsworth	D9/448
D471,105 S *	3/2003	Gonzalez Fernandez	D9/448

* cited by examiner

Primary Examiner—Robert M. Spear

Assistant Examiner—Susan Bennett Hattan

(74) *Attorney, Agent, or Firm*—Harris A. Wolin

(57) **CLAIM**

The ornamental design for a dispenser spout as shown and described.

DESCRIPTION

FIG. 1 is a perspective view of the dispenser spout of my design.

FIG. 2 is a front elevation view thereof.

FIG. 3 is a rear elevation view thereof.

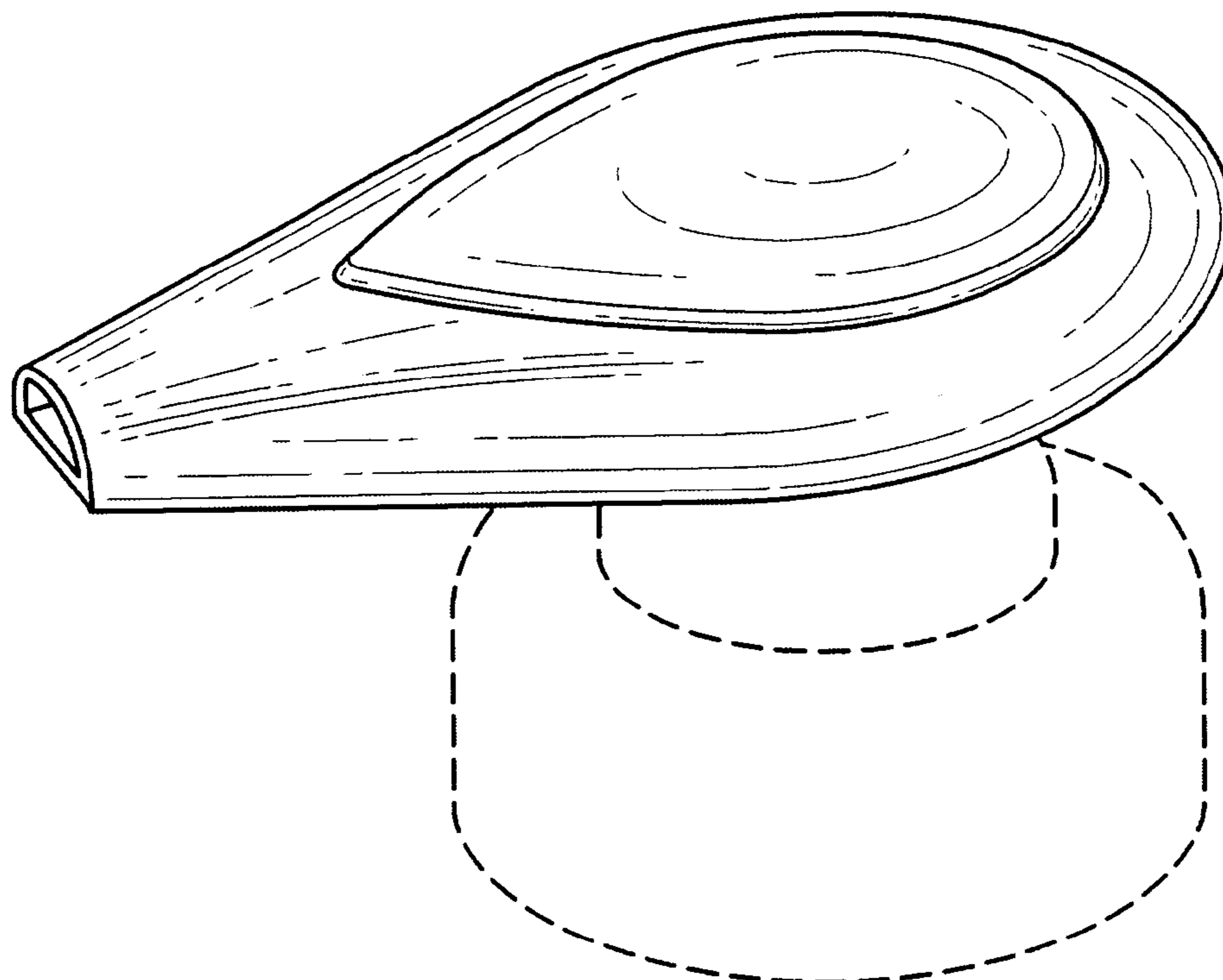
FIG. 4 is a left side elevation view, the right side being a mirror image thereof.

FIG. 5 is a top plan view thereof; and,

FIG. 6 is a bottom plan view thereof.

The broken line showing of a closure is for illustrative purposes only and forms no part of the claimed design.

1 Claim, 4 Drawing Sheets



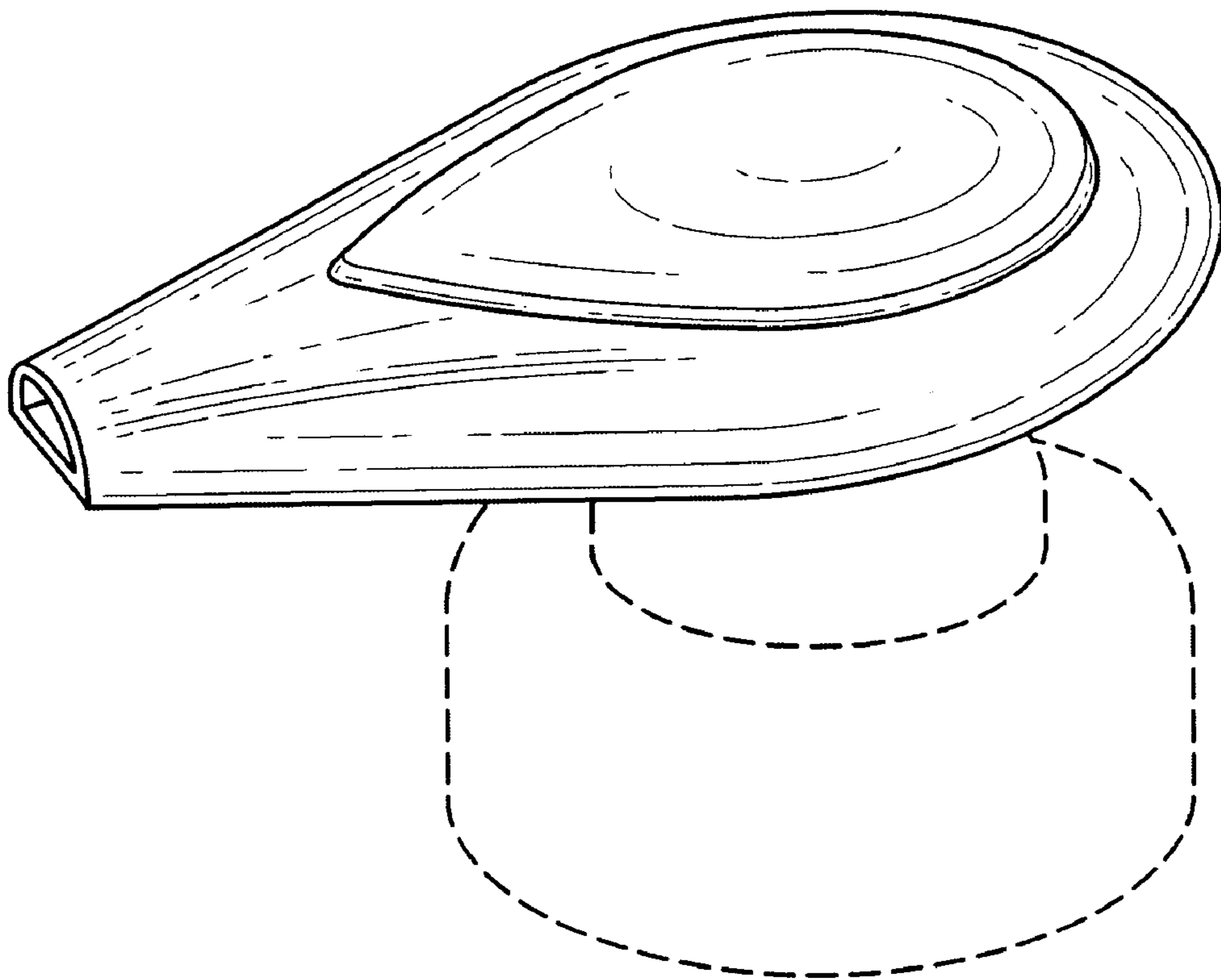


FIG. 1

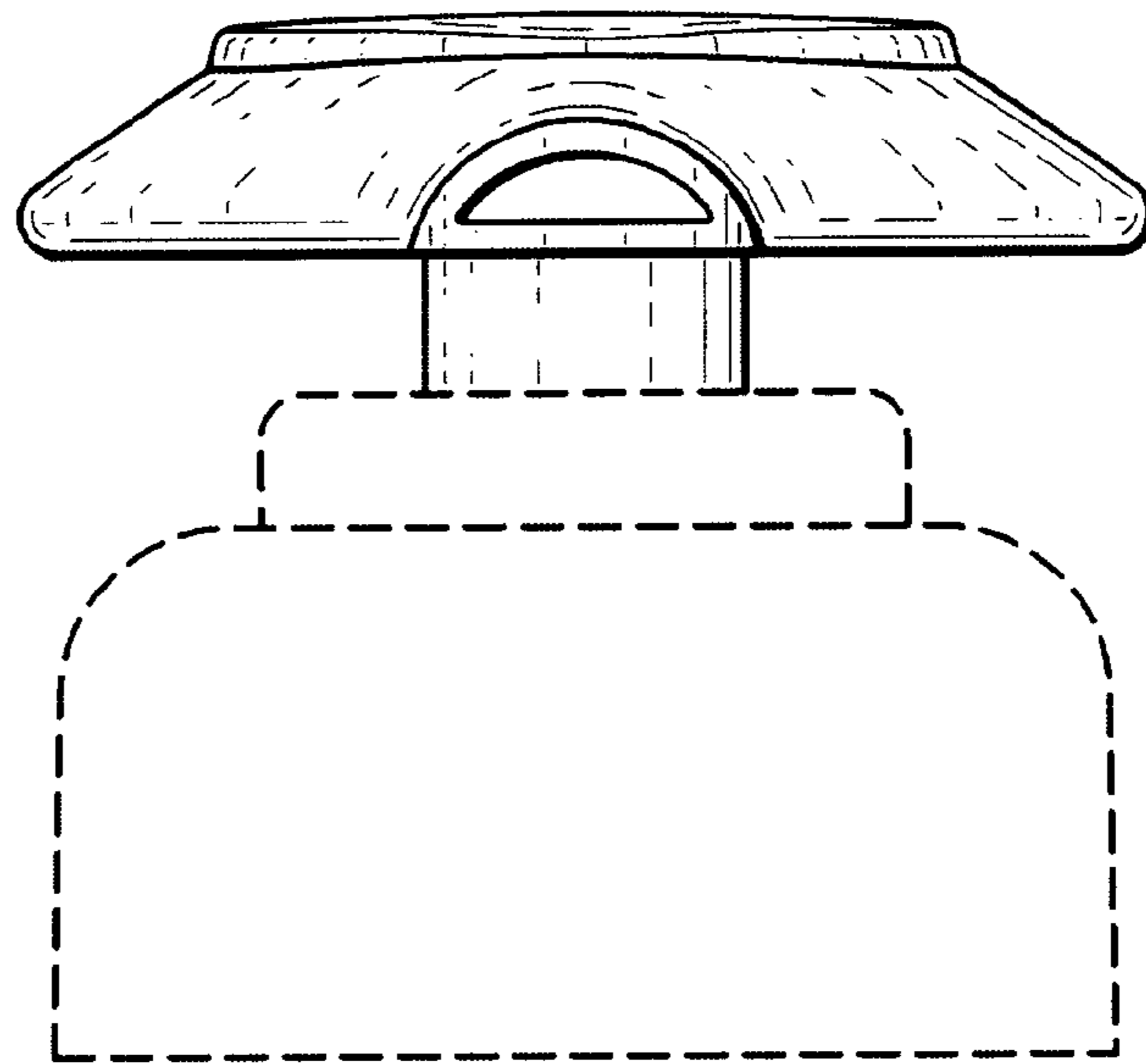


FIG. 2

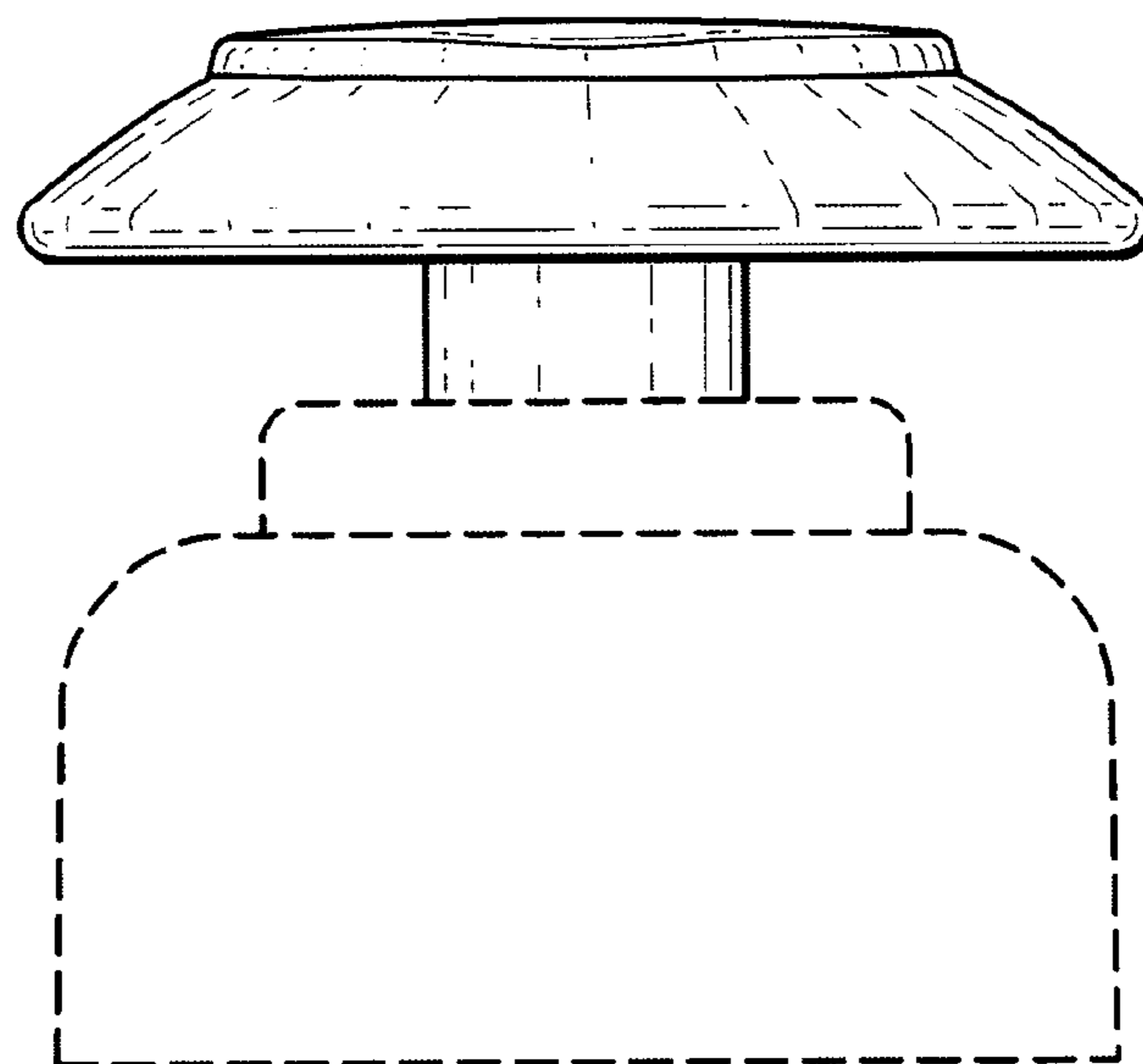


FIG. 3

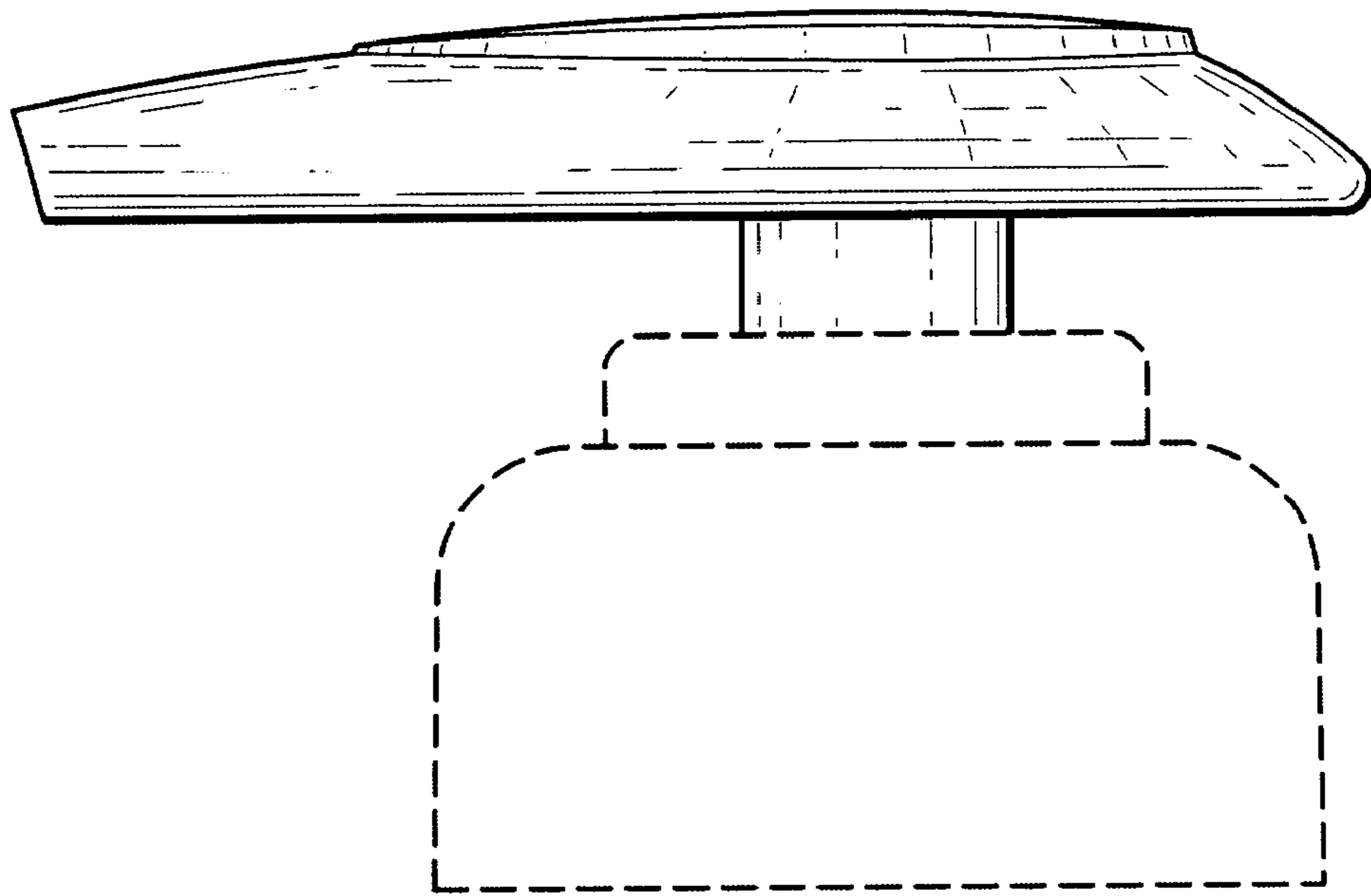


FIG. 4

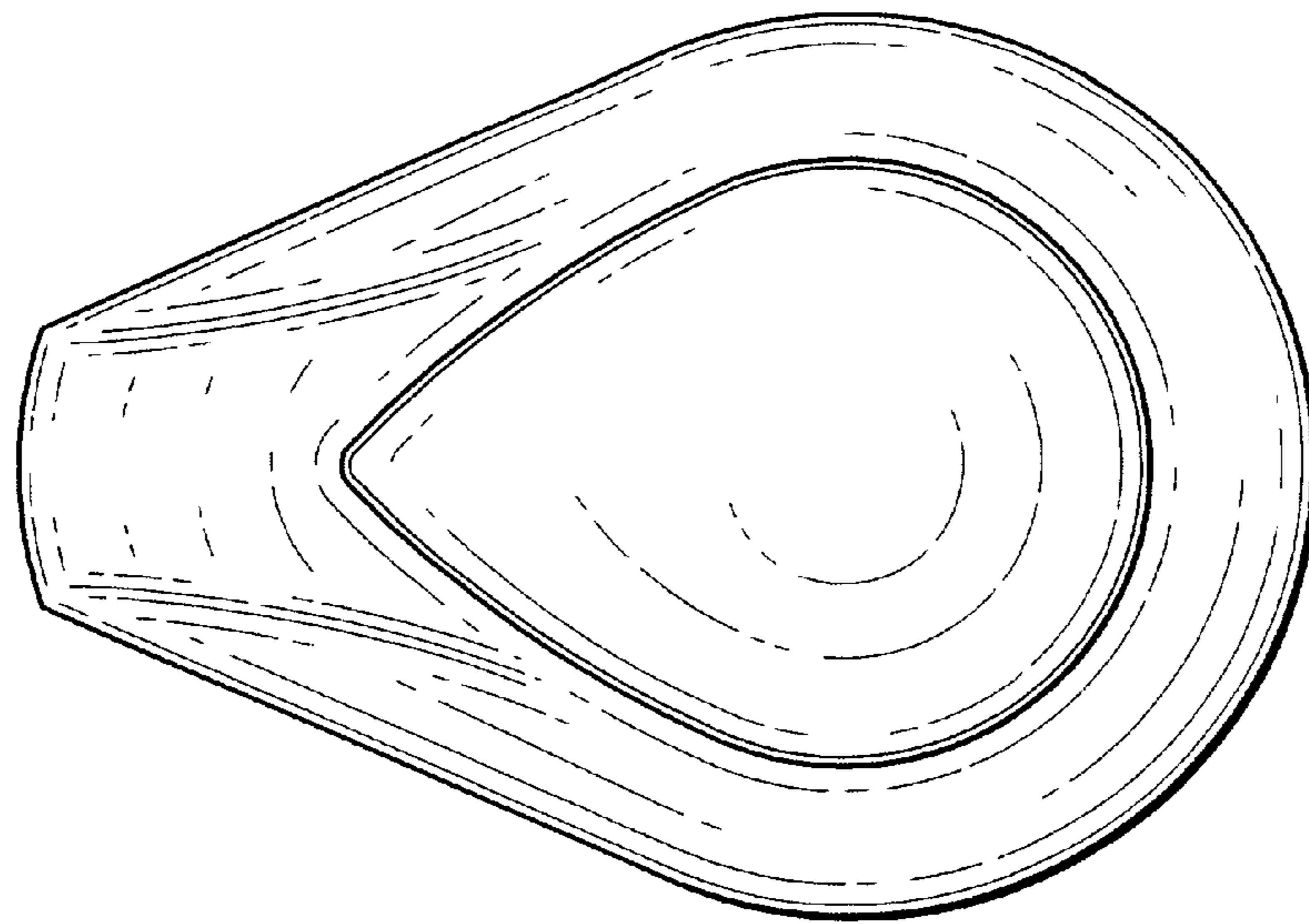


FIG. 5

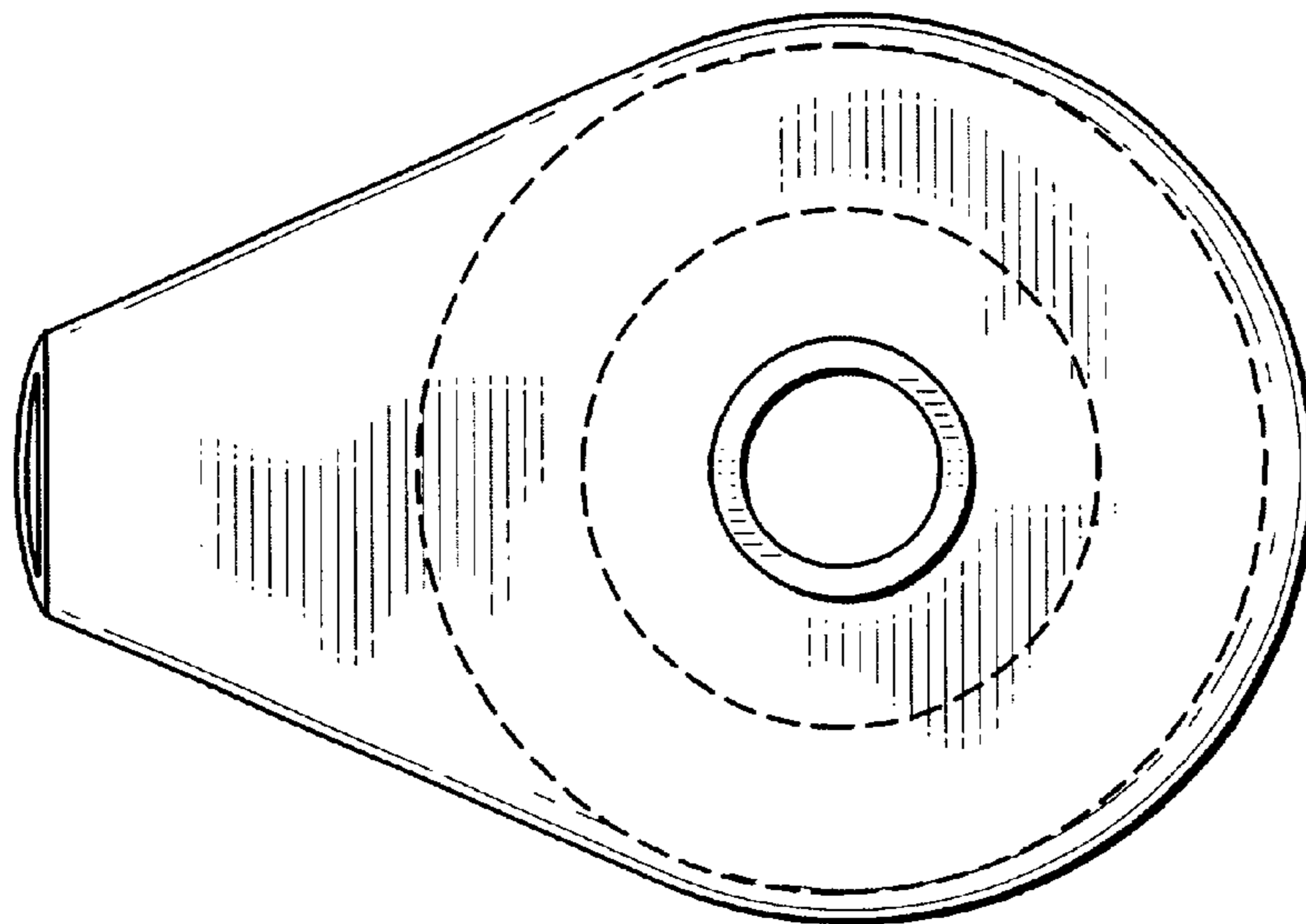


FIG. 6