



US00D527255S

(12) **United States Design Patent**  
**Liebe et al.**

(10) **Patent No.:** **US D527,255 S**  
(45) **Date of Patent:** **\*\* Aug. 29, 2006**

(54) **RECTANGULAR CONTAINER LID**

(75) Inventors: **Thomas Liebe**, Thun (CH); **Heinz Reinhard**, Schnottwil (CH)

(73) Assignee: **Hoffmann Neopac AG**, Thun (CH)

(\*\*) Term: **14 Years**

(21) Appl. No.: **29/234,684**

(22) Filed: **Jul. 21, 2005**

(51) **LOC (8) Cl.** ..... **09-07**

(52) **U.S. Cl.** ..... **D9/440; D9/449**

(58) **Field of Classification Search** ..... D9/734,  
D9/454, 453, 447, 443, 440, 435, 449, 420;  
D7/392.1; D6/515-518; 222/575; 221/282,  
221/26; 206/824, 812, 389, 233, 225  
See application file for complete search history.

(56) **References Cited**

**U.S. PATENT DOCUMENTS**

3,872,996 A	3/1975	Dogliotti	.....	220/254
D255,995 S	7/1980	Kinslow	.....	D9/275
D364,344 S	11/1995	Shaw	.....	D9/421
D367,609 S	* 3/1996	Frank et al.	.....	D9/425
D434,979 S	12/2000	Liu	.....	D9/415
D448,295 S	* 9/2001	Mozes	.....	D9/449
D448,668 S	* 10/2001	Baerenwald et al.	.....	D9/449
D467,801 S	* 12/2002	Baerenwald et al.	.....	D9/449
D471,804 S	3/2003	Staples	.....	D9/423
D473,461 S	4/2003	Joubert	.....	D9/423

D474,402 S	* 5/2003	Baerenwald	.....	D9/420
D481,942 S	11/2003	Elgebrant	.....	D9/424
D509,732 S	9/2005	Staples	.....	D9/423
D513,175 S	* 12/2005	Fielder et al.	.....	D9/447

\* cited by examiner

*Primary Examiner*—Robert M. Spear

*Assistant Examiner*—Susan Bennett Hattan

(74) *Attorney, Agent, or Firm*—Gifford, Krass, Groh, Sprinkle, Anderson & Citkowski, P.C.

(57) **CLAIM**

The ornamental design for a rectangular container lid, as shown and described.

**DESCRIPTION**

FIG. 1 is a perspective view of an inventive rectangular container lid in a closed position with a mated container shown in broken lines;

FIG. 2 is a perspective view of an inventive lid depicted in FIG. 1 in a fully open position;

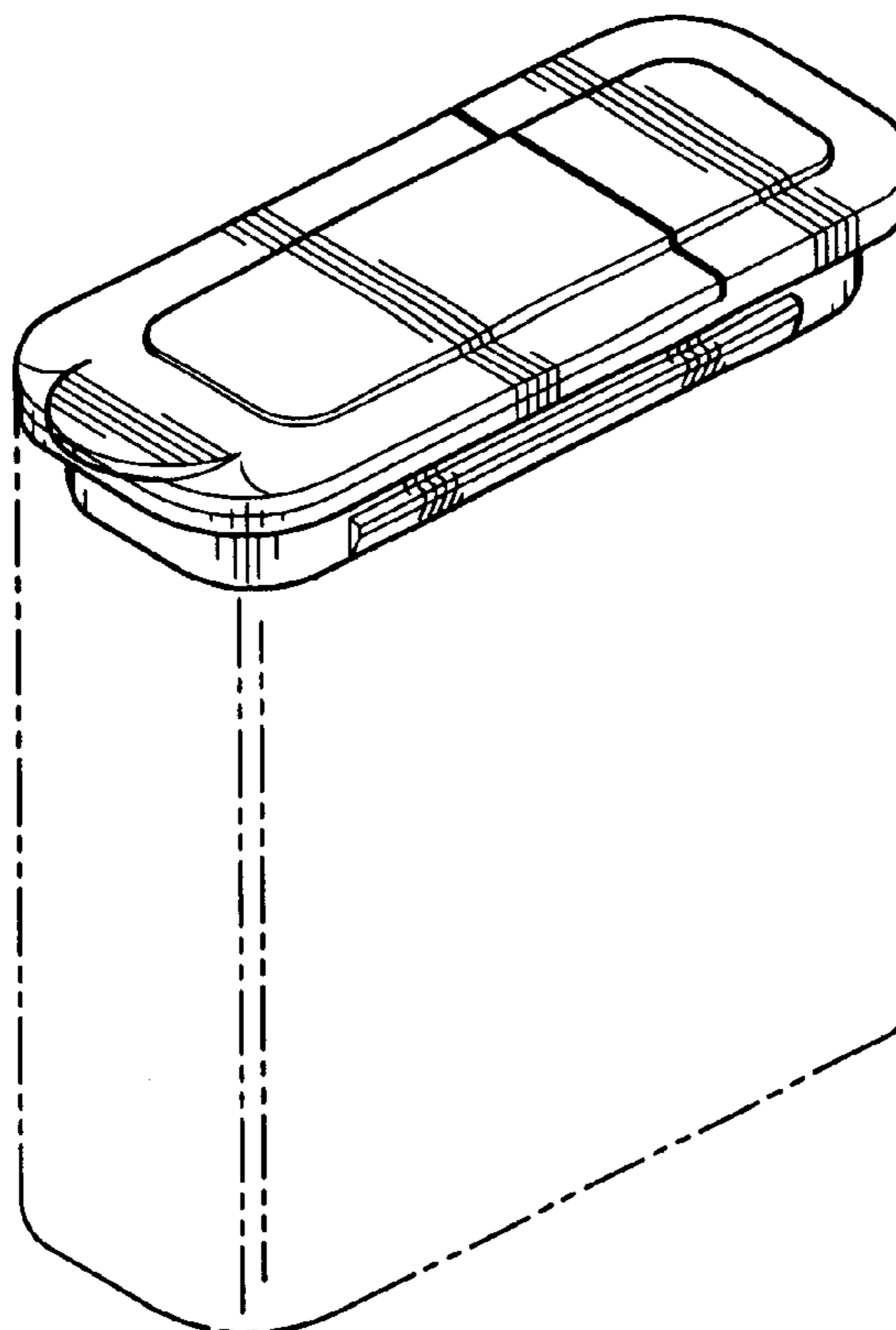
FIG. 3 is a top view of the inventive lid depicted in FIG. 1; FIG. 4 is a front view of the inventive lid depicted in FIG. 1;

FIG. 5 is a left side view of the inventive lid depicted in FIG. 1; and,

FIG. 6 is a right side view of the inventive lid depicted in FIG. 1.

The broken lines in the drawings are for illustrative purposes only and form no part of the claimed design.

**1 Claim, 1 Drawing Sheet**



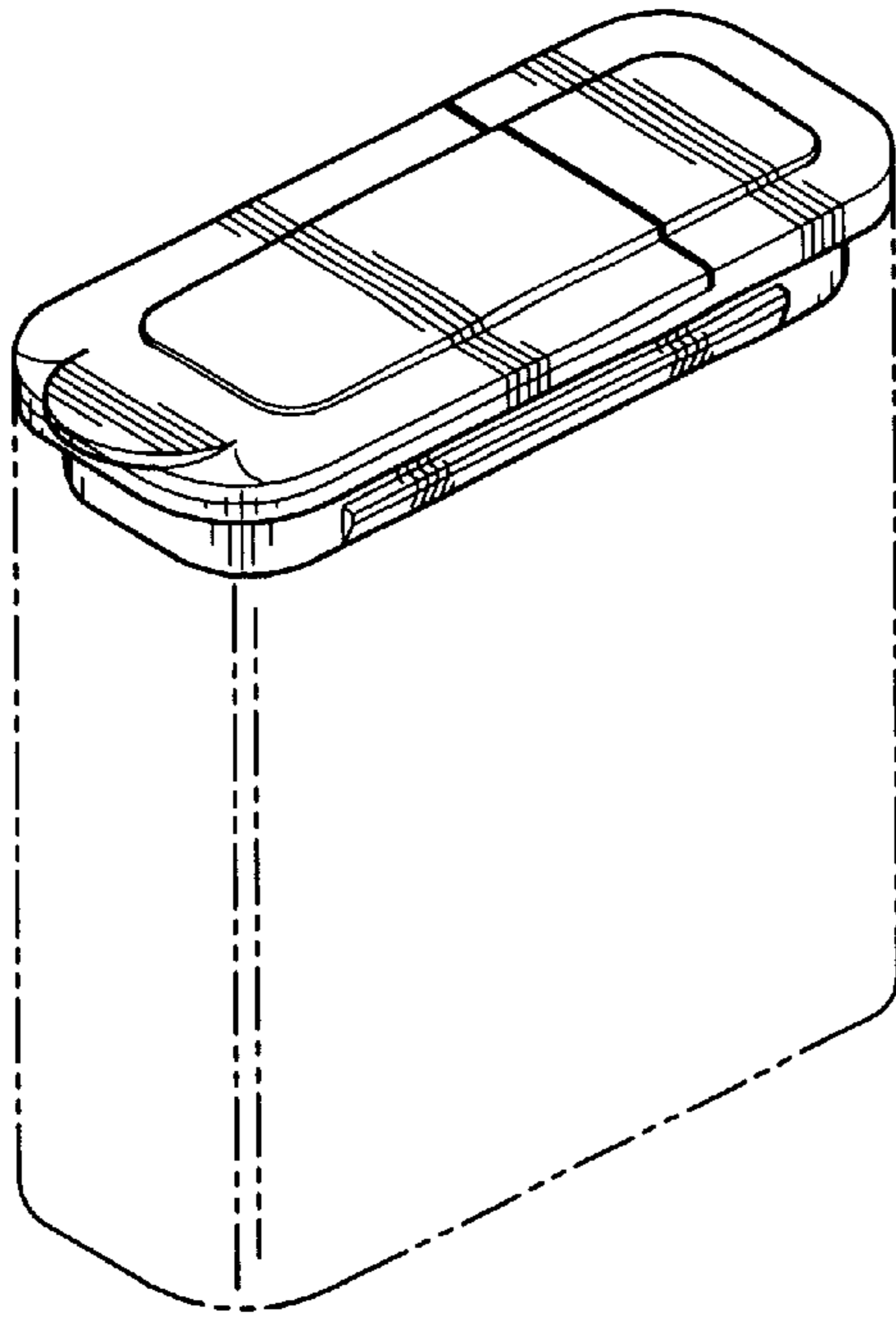


Figure 1

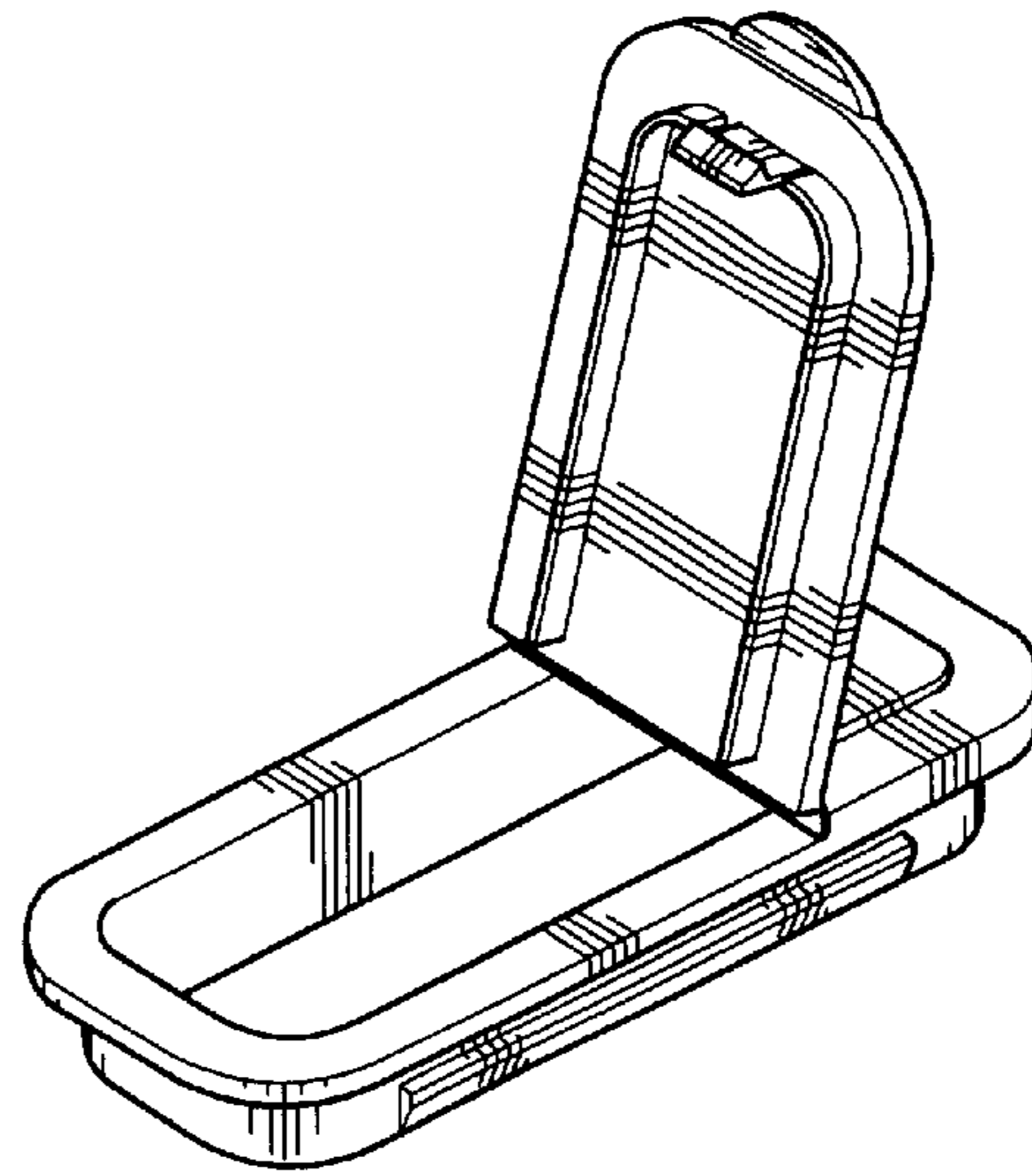


Figure 2

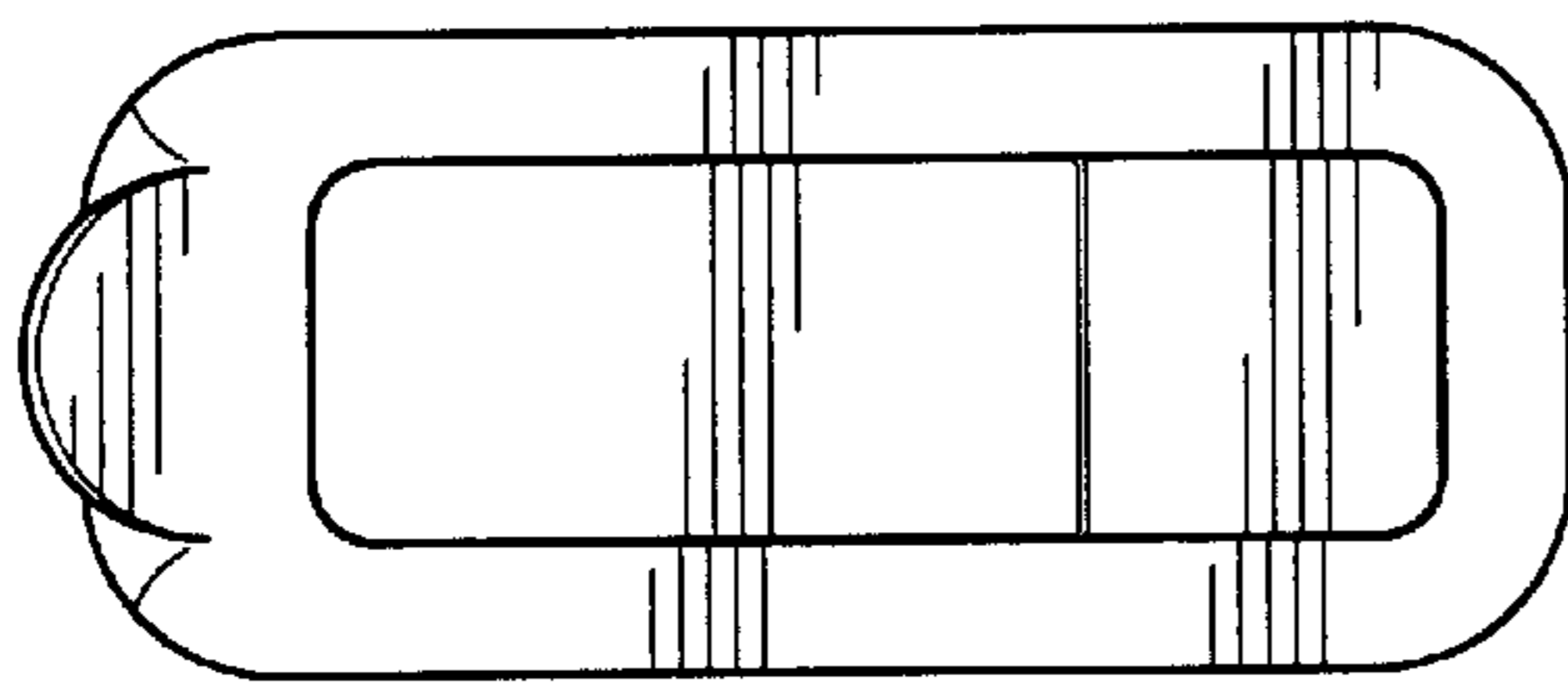


Figure 3

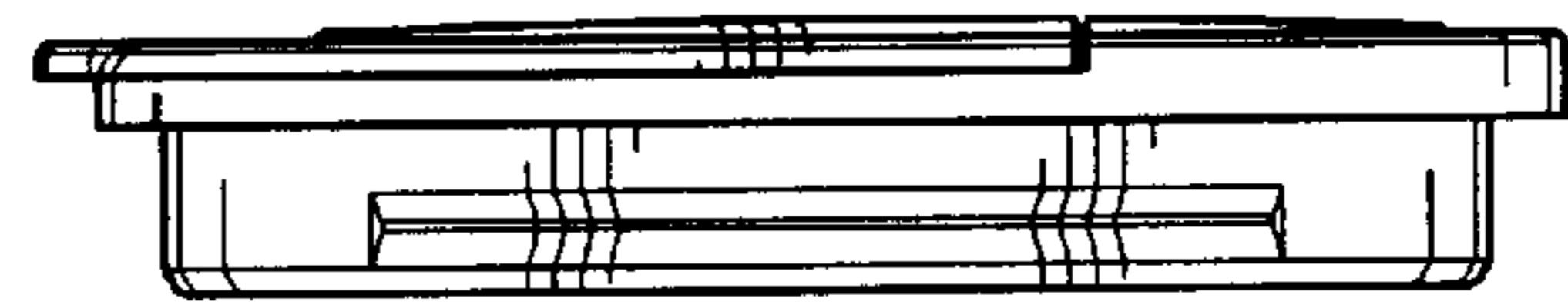


Figure 4

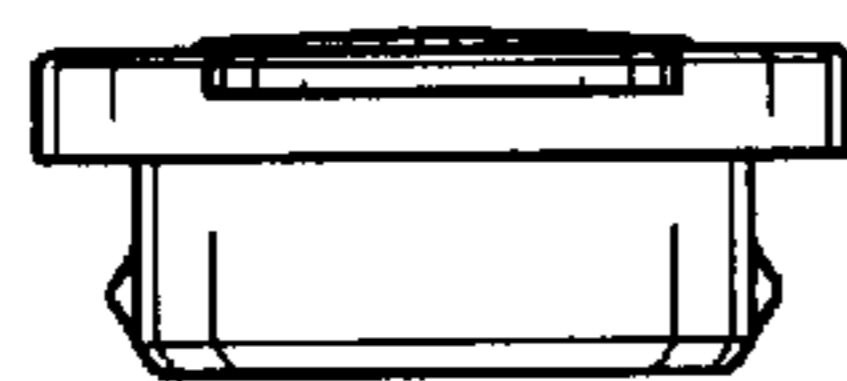


Figure 5

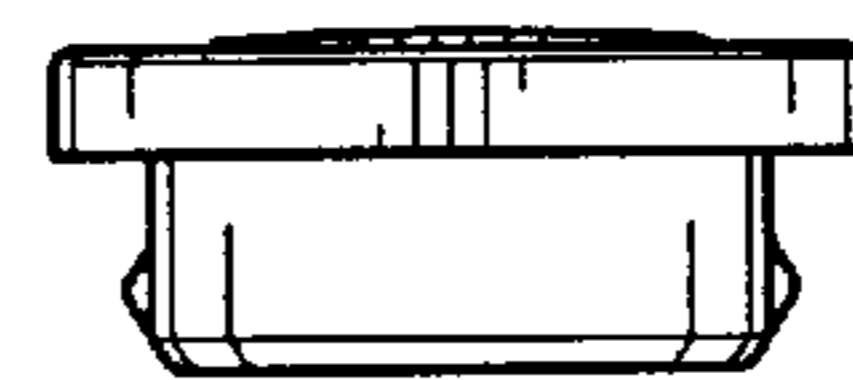


Figure 6

UNITED STATES PATENT AND TRADEMARK OFFICE  
**CERTIFICATE OF CORRECTION**

PATENT NO. : Des. 527,255 S  
APPLICATION NO. : 29/234684  
DATED : August 29, 2006  
INVENTOR(S) : Thomas Liebe et al.

Page 1 of 1

It is certified that error appears in the above-identified patent and that said Letters Patent is hereby corrected as shown below:

Title Page – Please insert the foreign priority which is missing as follows:

-- (30) Foreign Application Priority Data  
Jan. 24, 2005 (EP).....000283403 --.

Signed and Sealed this

Twenty-ninth Day of May, 2007

A handwritten signature in black ink on a light gray dotted background. The signature reads "Jon W. Dudas" in a cursive style.

JON W. DUDAS

*Director of the United States Patent and Trademark Office*