



US00D527250S

(12) **United States Design Patent**
Conrad et al.

(10) **Patent No.:** **US D527,250 S**

(45) **Date of Patent:** **** Aug. 29, 2006**

(54) **CONNECTABLE CONTAINER**

D460,354 S * 7/2002 Goldiner et al. D9/601

(75) Inventors: **Jeffrey Conrad**, Akron, OH (US);
William Edwin Kerner, Berea, OH (US)

* cited by examiner

Primary Examiner—Stella Reid
Assistant Examiner—Derrick Holland

(73) Assignee: **American Greetings Corporation**,
Cleveland, OH (US)

(74) *Attorney, Agent, or Firm*—Roetzel & Andress

(**) Term: **14 Years**

(57) **CLAIM**

The ornamental design for the connectable container, as shown and described.

(21) Appl. No.: **29/207,686**

DESCRIPTION

(22) Filed: **Jun. 18, 2004**

(51) **LOC (8) Cl.** **09-03**

(52) **U.S. Cl.** **D9/414**

(58) **Field of Classification Search** D9/414,
D9/339, 418, 424, 743-745; D18/18, 56;
D21/480, 484, 486; 220/23.83

See application file for complete search history.

FIG. 1 is a front, top, right perspective view of a connectable container, showing our new design;
FIG. 2 is front elevation view thereof;
FIG. 3 is a rear elevation view thereof;
FIG. 4 is a left side elevation view thereof;
FIG. 5 is a right side elevation view thereof;
FIG. 6 is a top plan view thereof;
FIG. 7 is a bottom plan view of thereof;
FIG. 8 is a front, top, right perspective view with a second and third container in connected condition; and,
FIG. 9 is a front, top, right perspective view with a second and third container in another connected condition.

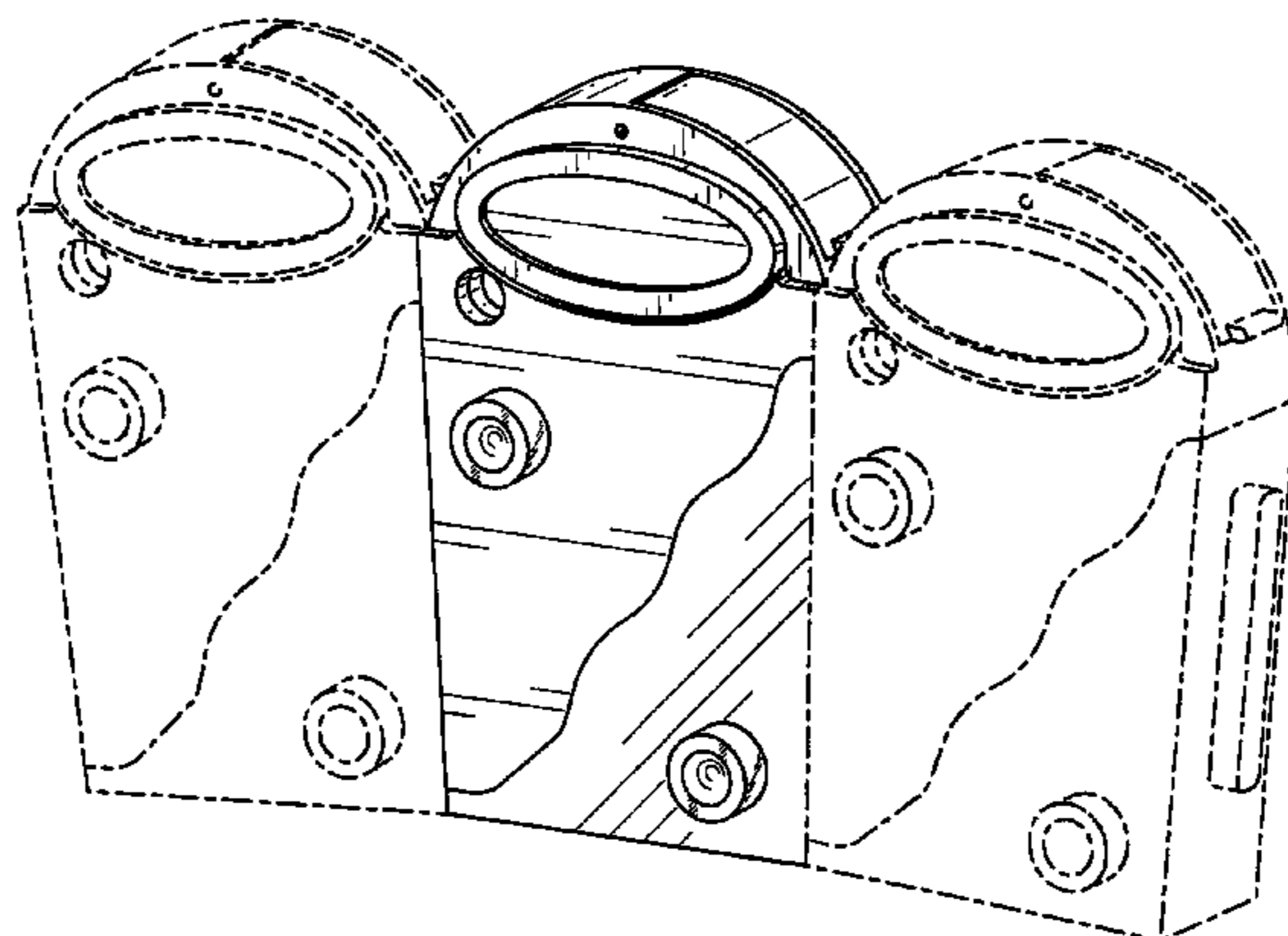
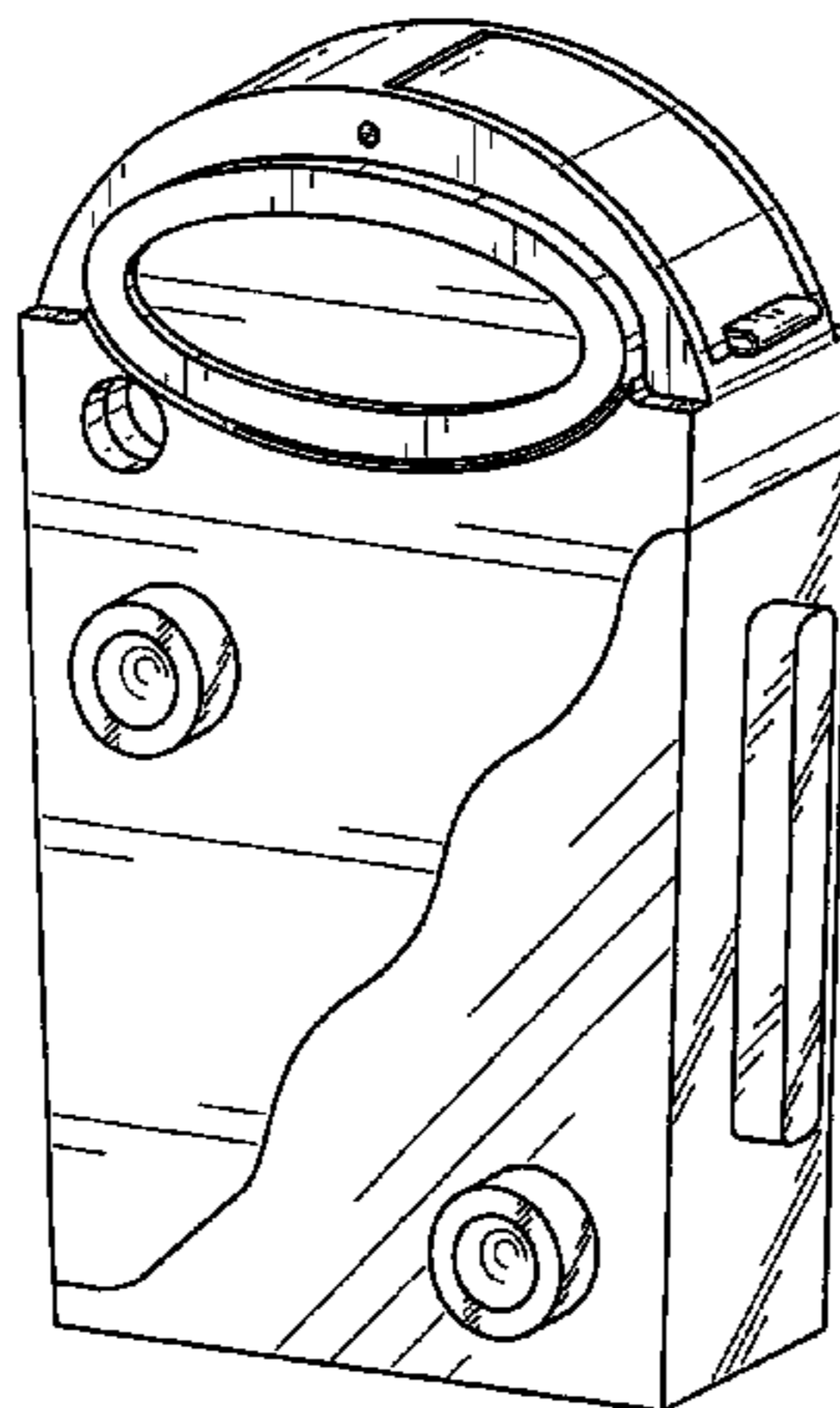
The broken line(s) showing is for illustrative purposes only and forms no part of the claimed design.

(56) **References Cited**

U.S. PATENT DOCUMENTS

3,391,824	A	*	7/1968	Wiseman	206/504
D336,613	S	*	6/1993	Zutler	D9/423
D356,255	S	*	3/1995	Syrek	D9/424
D362,547	S	*	9/1995	Dell et al.	D3/282
D407,610	S	*	4/1999	Weterrings et al.	D7/614
D438,897	S	*	3/2001	Hatasa et al.	D18/56

1 Claim, 7 Drawing Sheets



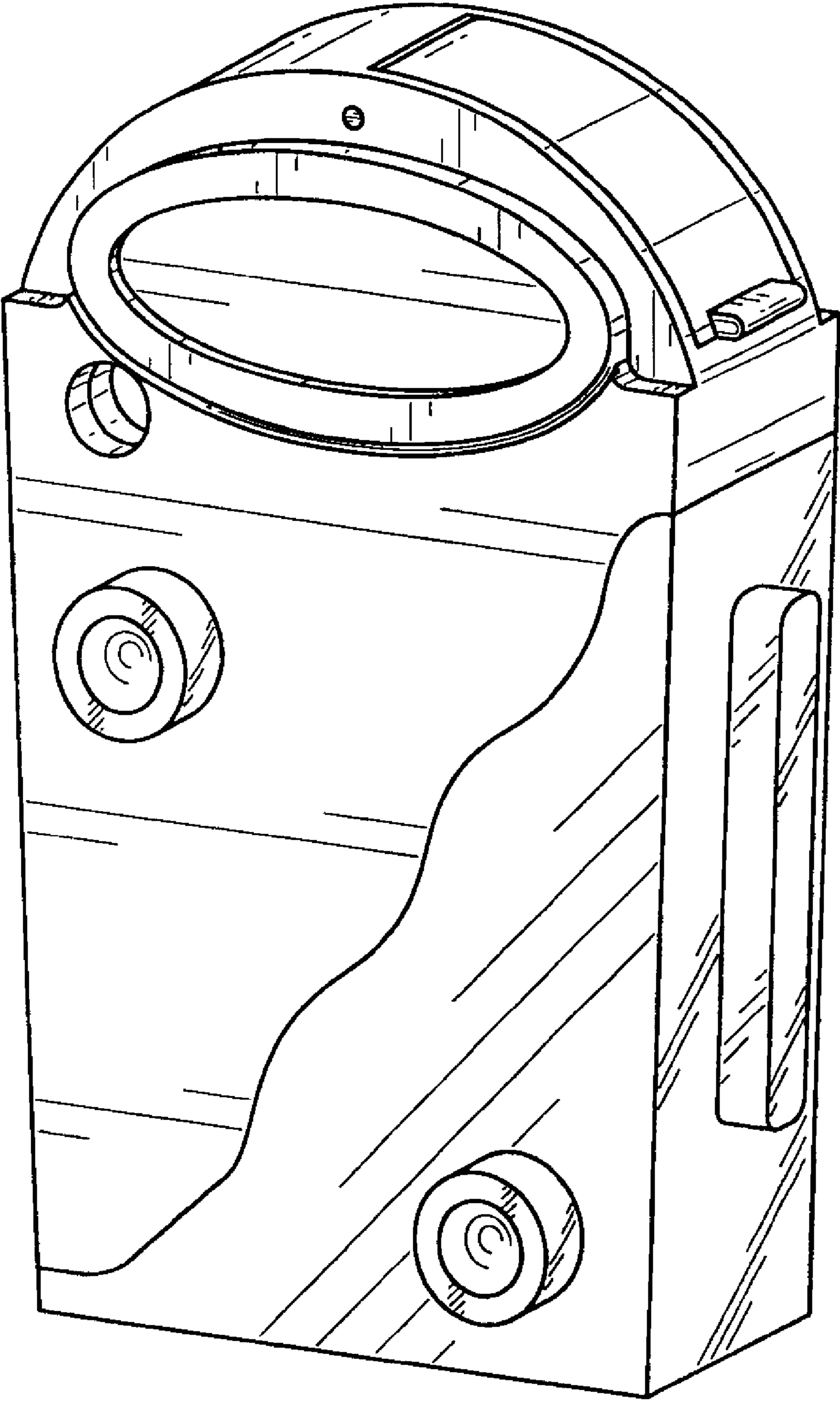


FIG. 1

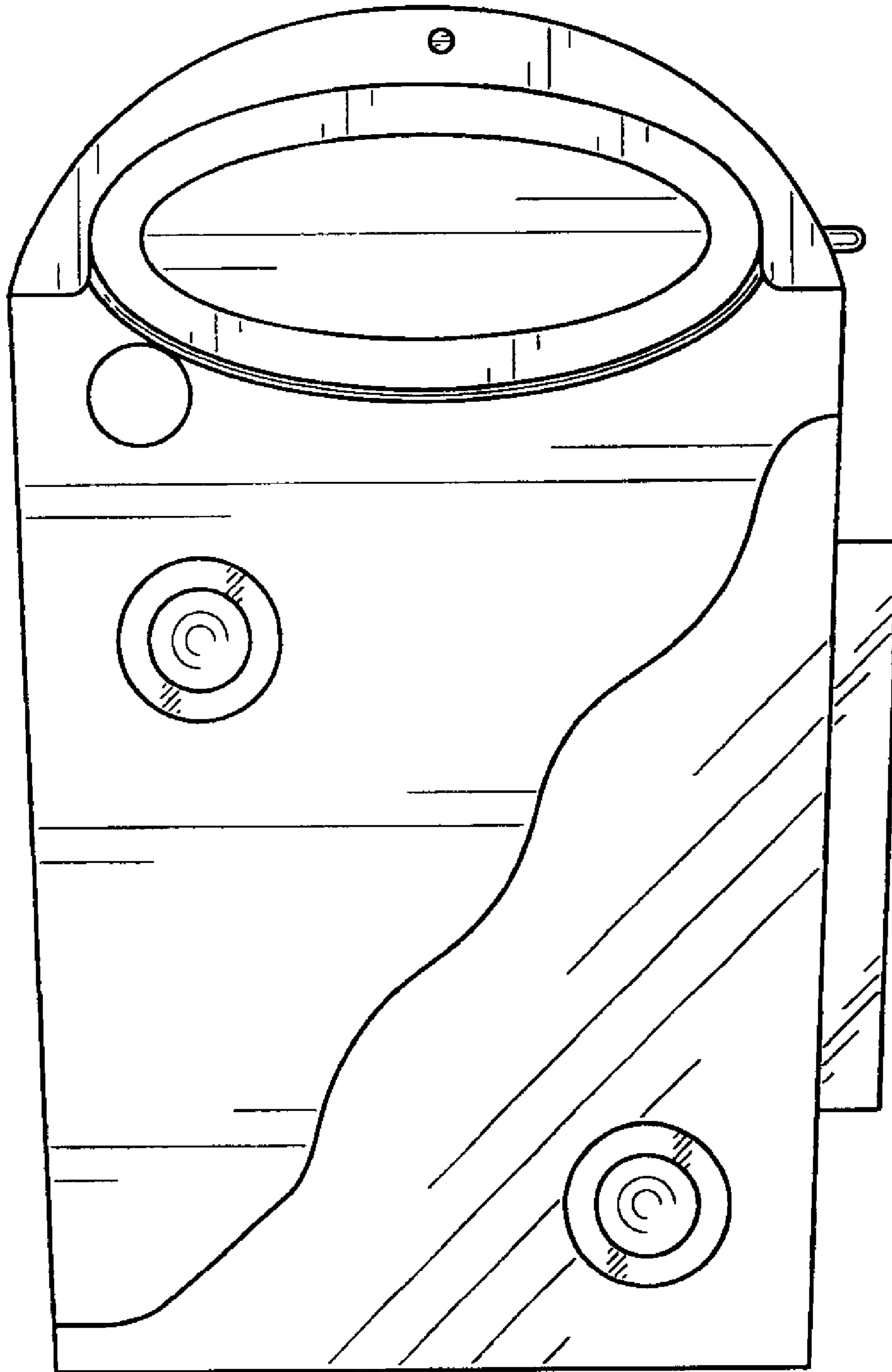


FIG. 2

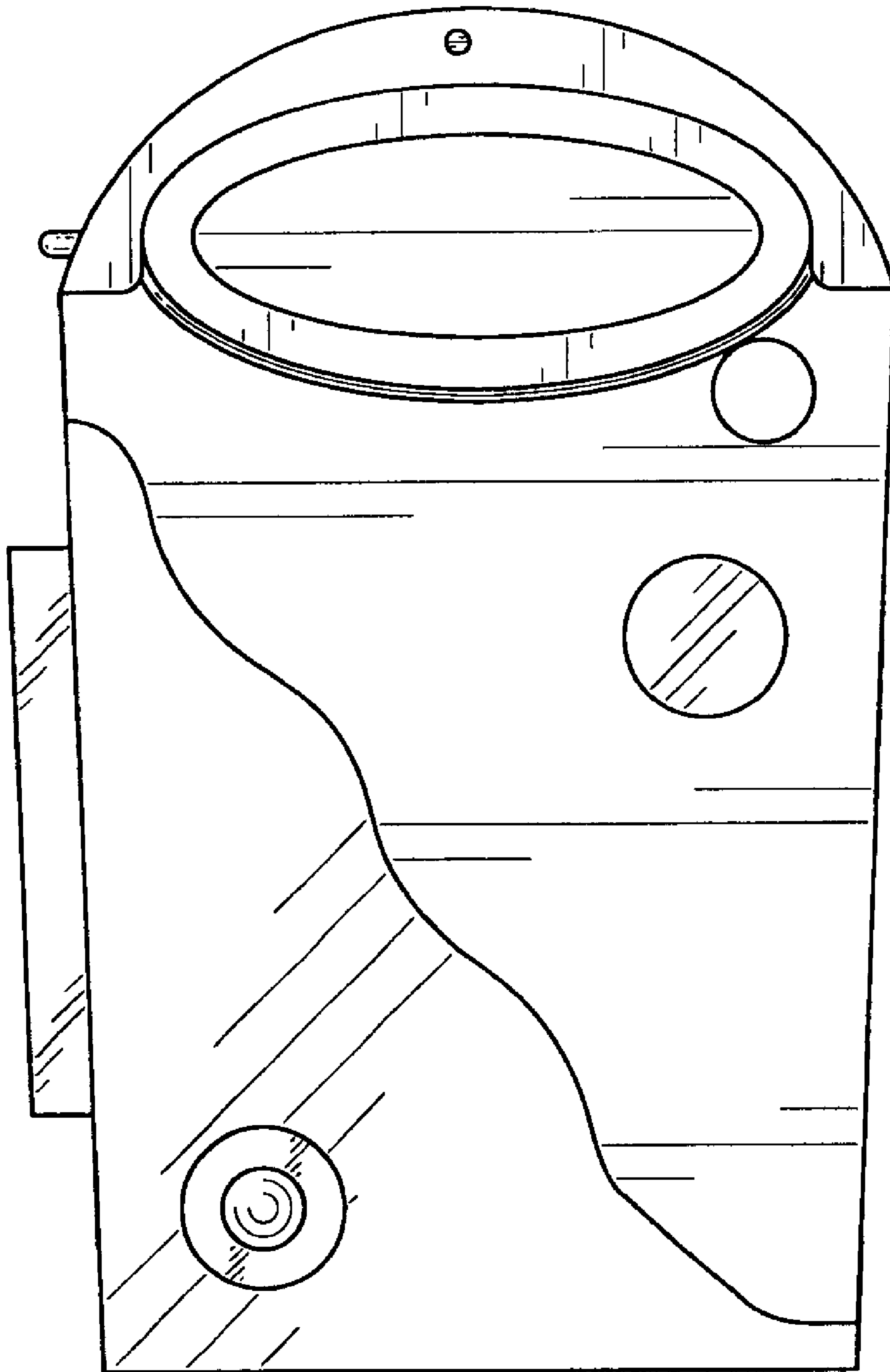


FIG. 3

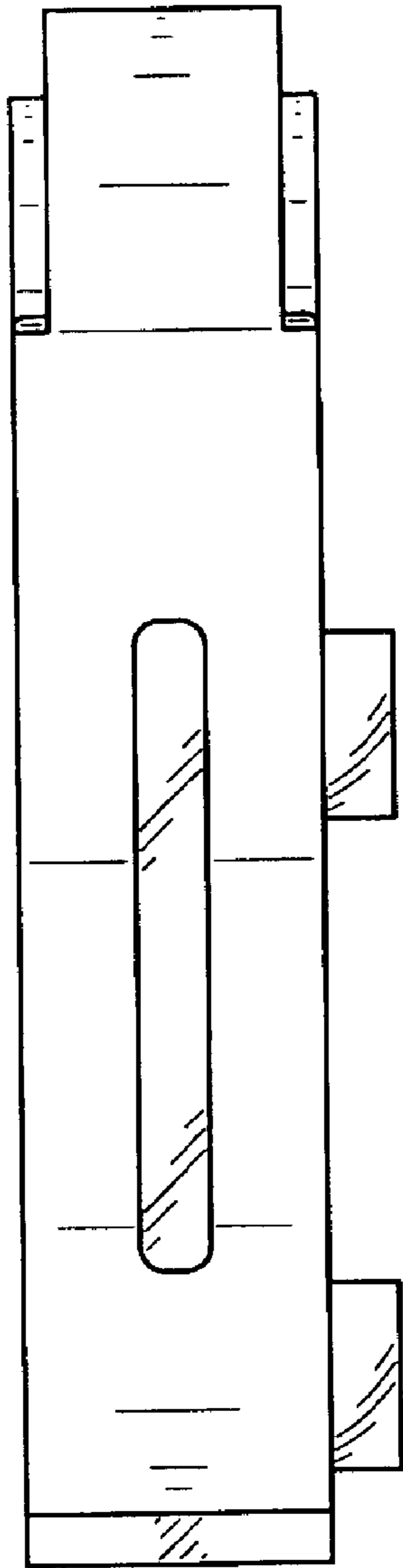


FIG. 4

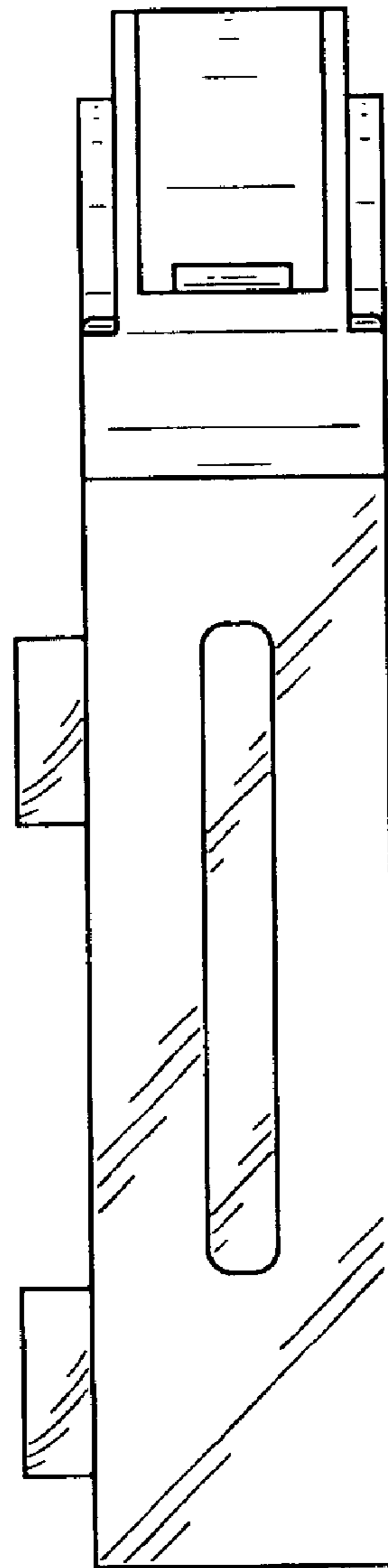


FIG. 5

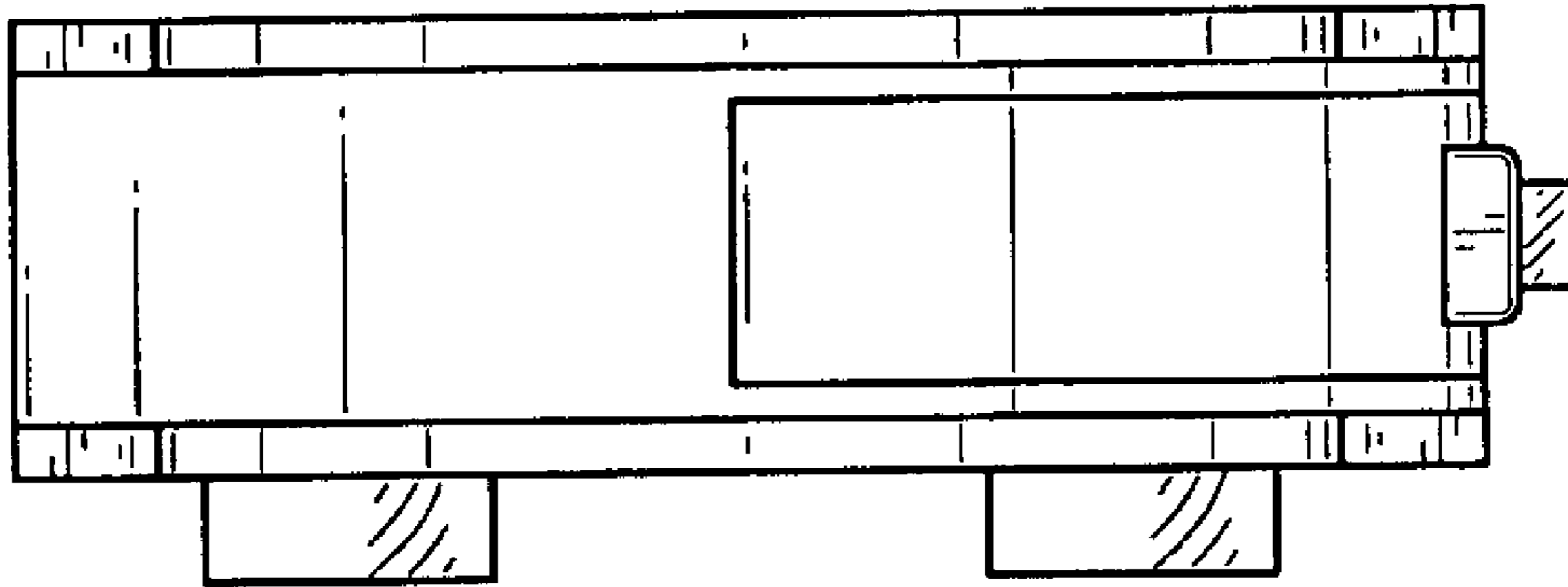


FIG. 6

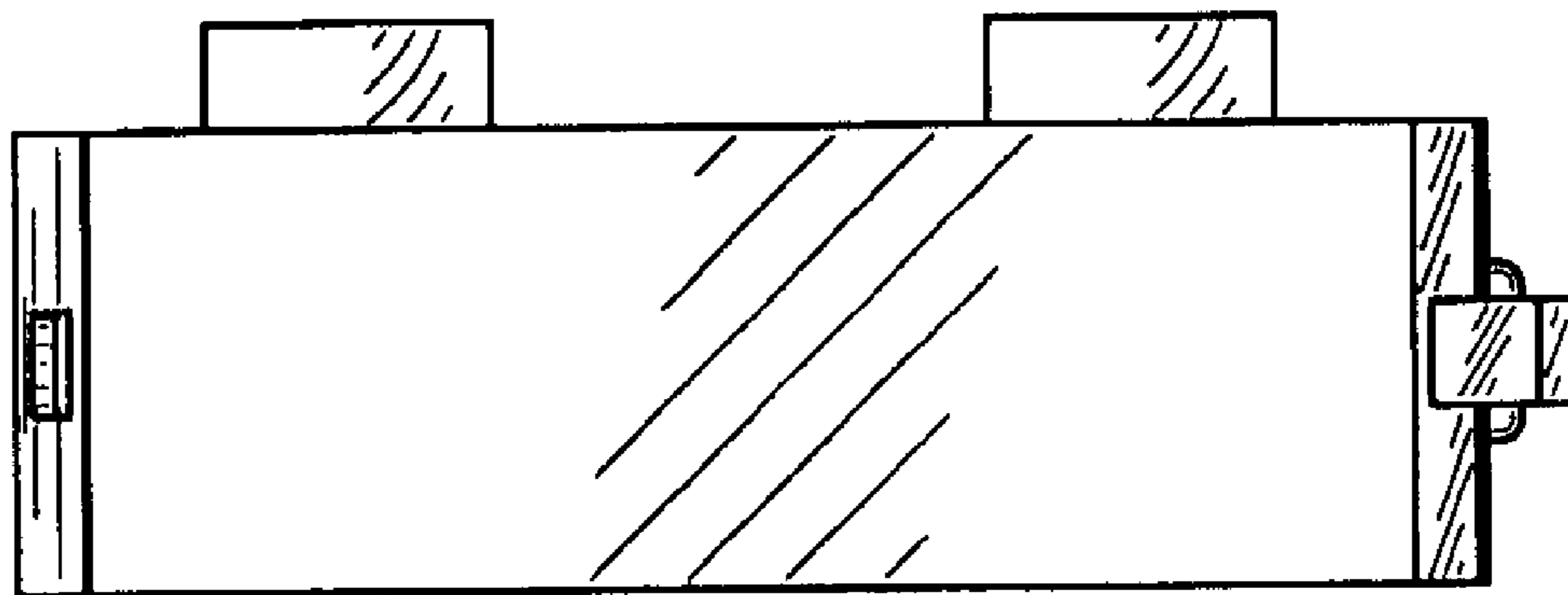


FIG. 7

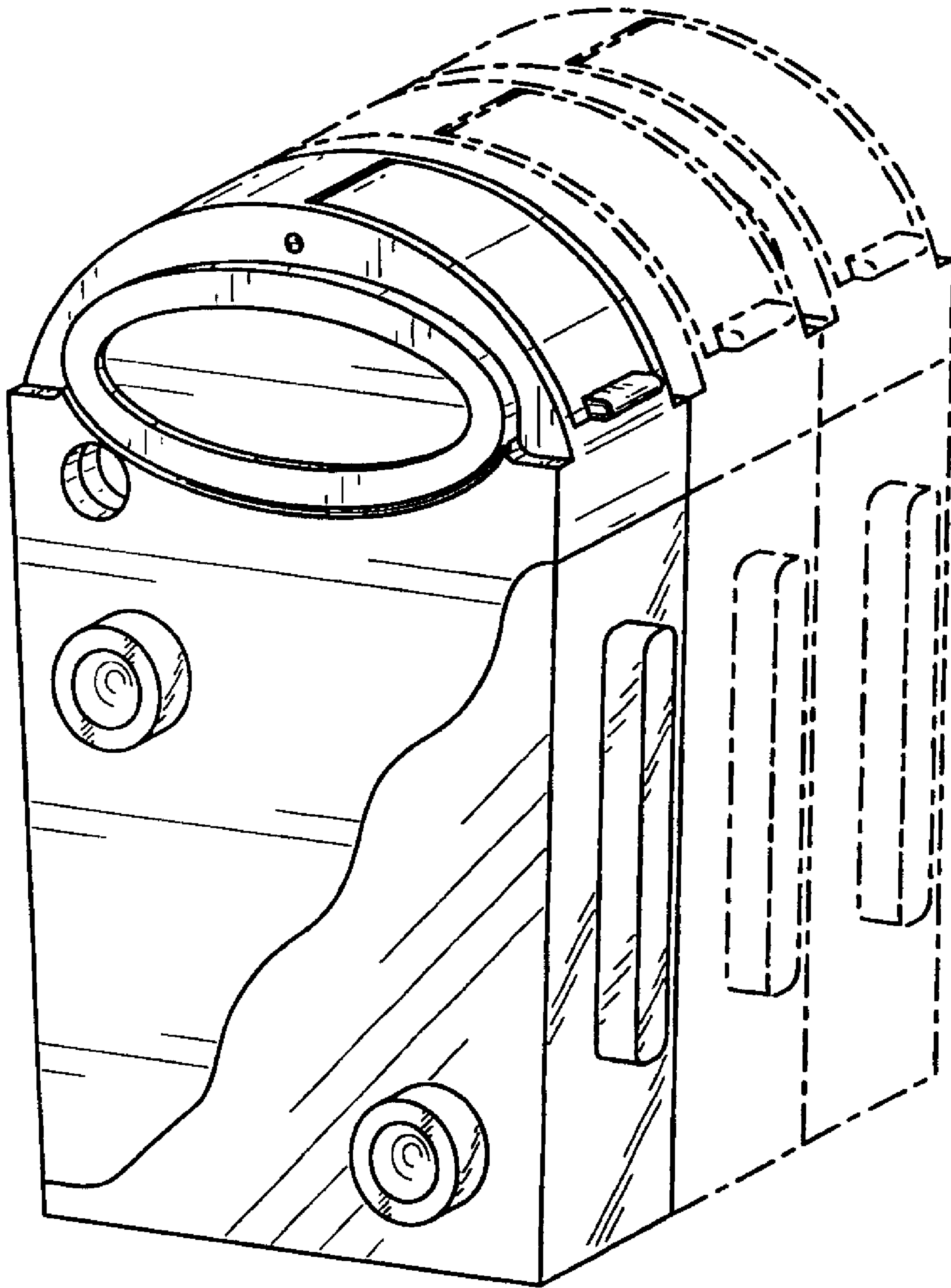


FIG. 8

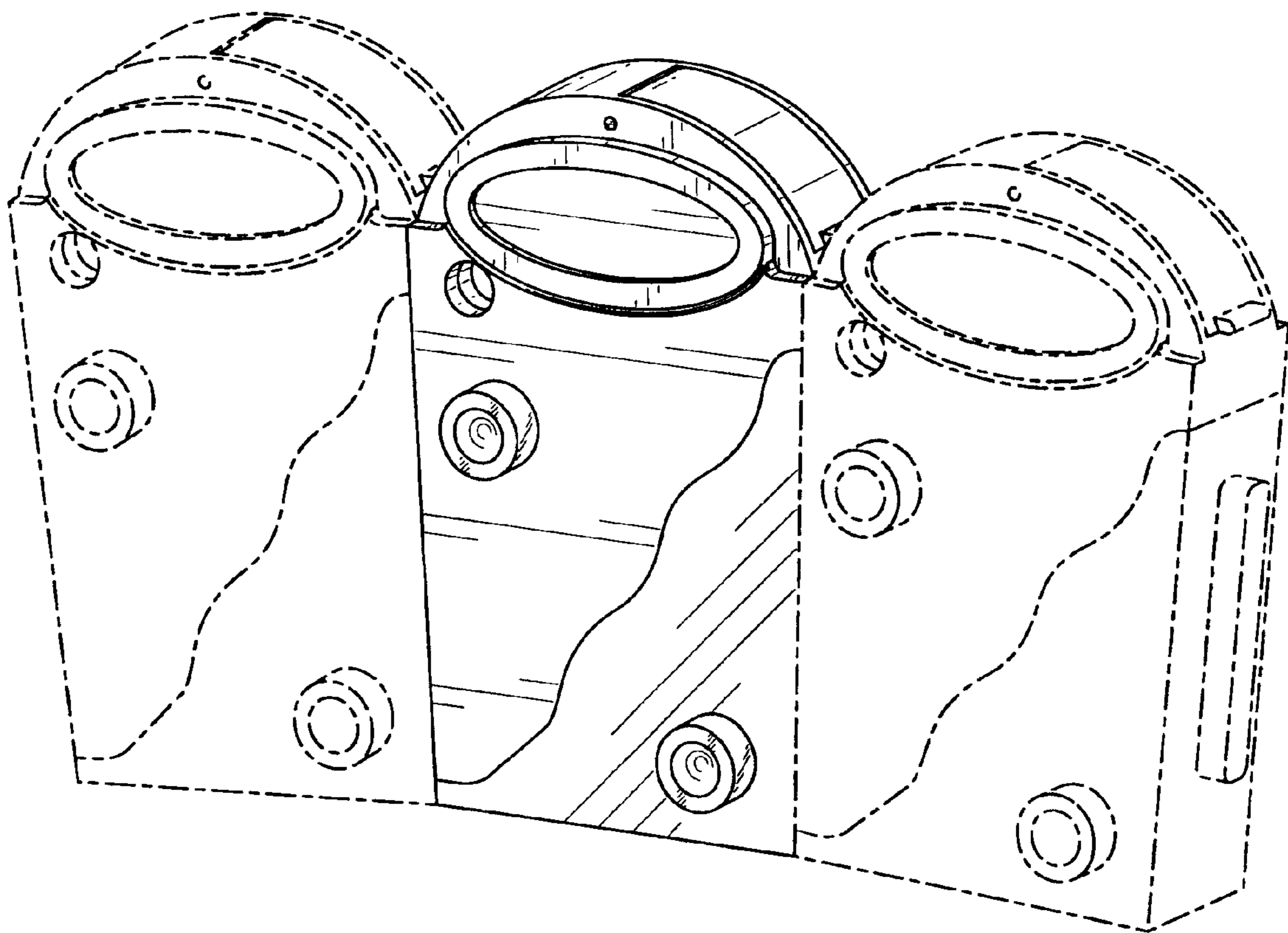


FIG. 9