

US00D527249S

(12) **United States Design Patent**
Heindl et al.

(10) **Patent No.:** **US D527,249 S**

(45) **Date of Patent:** **** Aug. 29, 2006**

(54) **CONNECTING ELEMENT FOR SHEET PILES**

(75) Inventors: **Richard Heindl**, Munich (DE); **Rob R. Wendt**, Rapid City, SD (US)

(73) Assignee: **PilePro, LLC**, Rapid City, SD (US)

(**) Term: **14 Years**

(21) Appl. No.: **29/234,950**

(22) Filed: **Jul. 26, 2005**

(30) **Foreign Application Priority Data**

May 9, 2005 (EM) 000339676

(51) **LOC (8) Cl.** **08-08**

(52) **U.S. Cl.** **D8/382**

(58) **Field of Classification Search** D8/382;
D25/119; 403/363, 357, 381; 405/70, 278,
405/279; 24/573.09, 346, 597, 598.5
See application file for complete search history.

(56) **References Cited**

U.S. PATENT DOCUMENTS

D242,138 S * 11/1976 Drawski et al. D25/119

6,282,762 B1	*	9/2001	Wall	24/573.09
D471,083 S	*	3/2003	Wall	D8/382
D471,793 S	*	3/2003	Wall	D8/382
D471,794 S	*	3/2003	Wall	D8/382
D472,455 S	*	4/2003	Wall	D8/382
D479,797 S	*	9/2003	Wall	D8/382
D479,798 S	*	9/2003	Wall	D8/382
D479,983 S	*	9/2003	Wall	D8/382

* cited by examiner

Primary Examiner—Holly Baynham

(74) *Attorney, Agent, or Firm*—Milde & Hoffberg, LLP

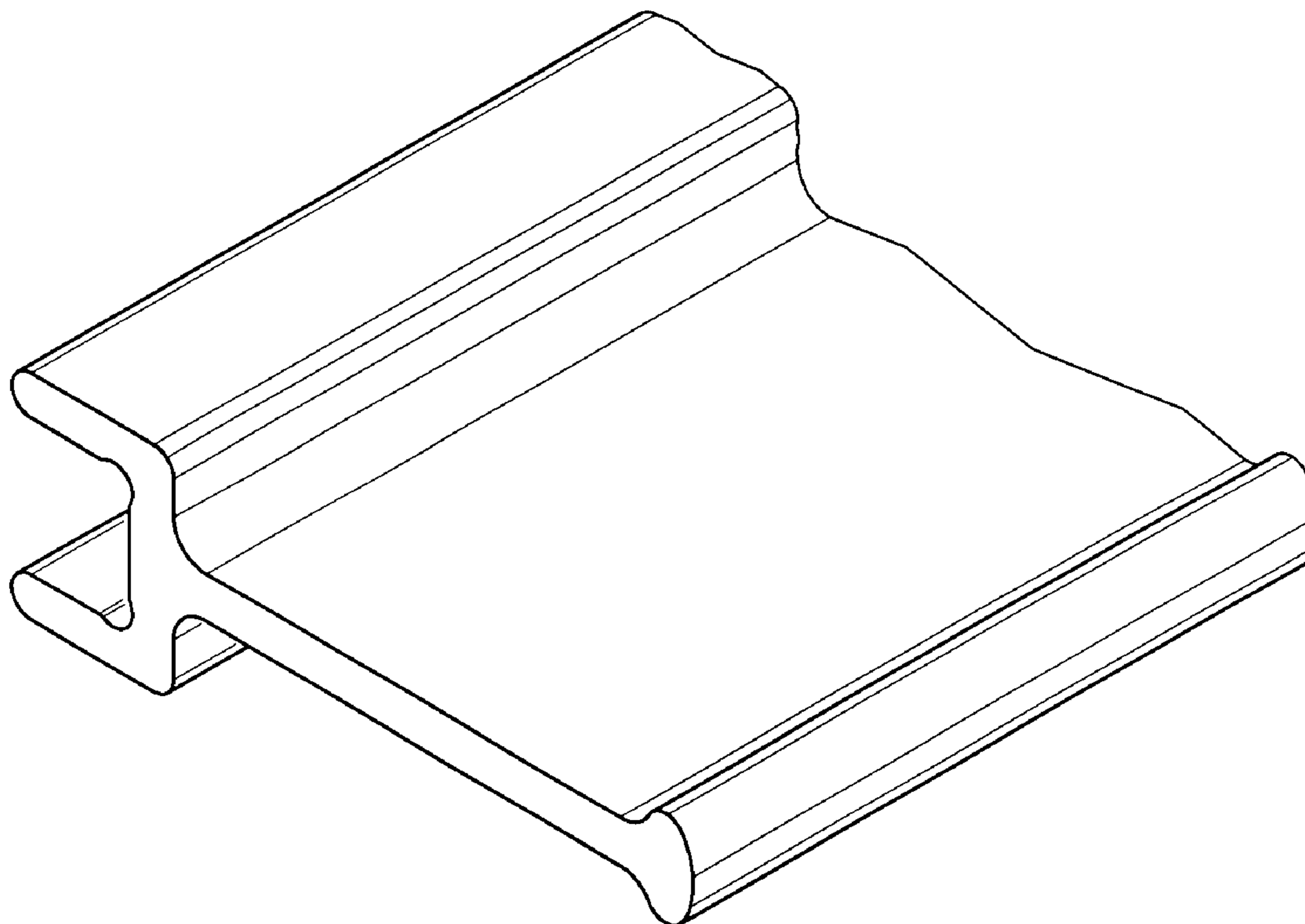
(57) **CLAIM**

The ornamental design for a connecting element for sheet piles.

DESCRIPTION

FIG. 1 is a perspective view of the connecting element for sheet piles according to my design; and,
FIG. 2 is an end view of the connecting element of FIG. 1.

1 Claim, 1 Drawing Sheet



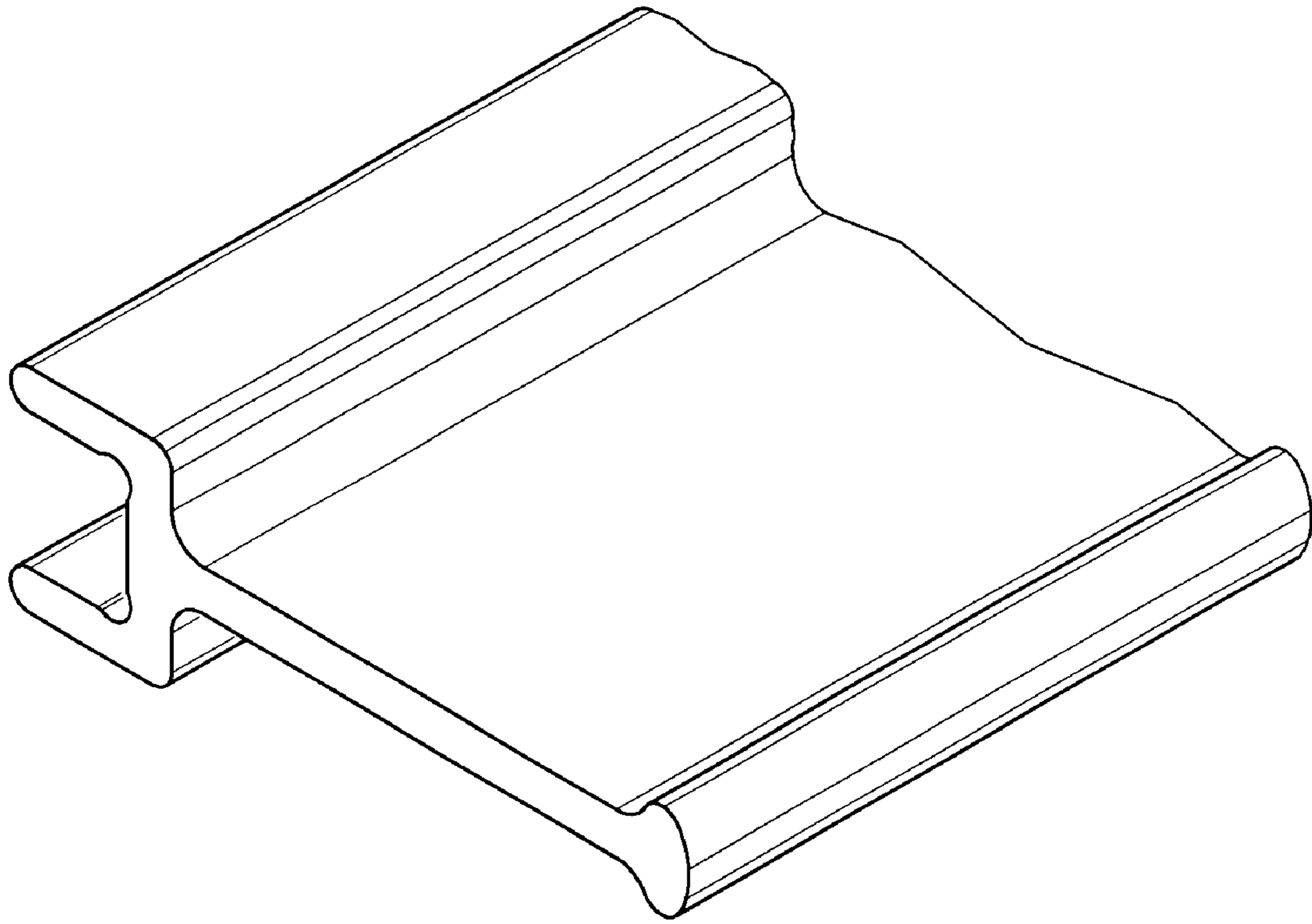


FIG. 1

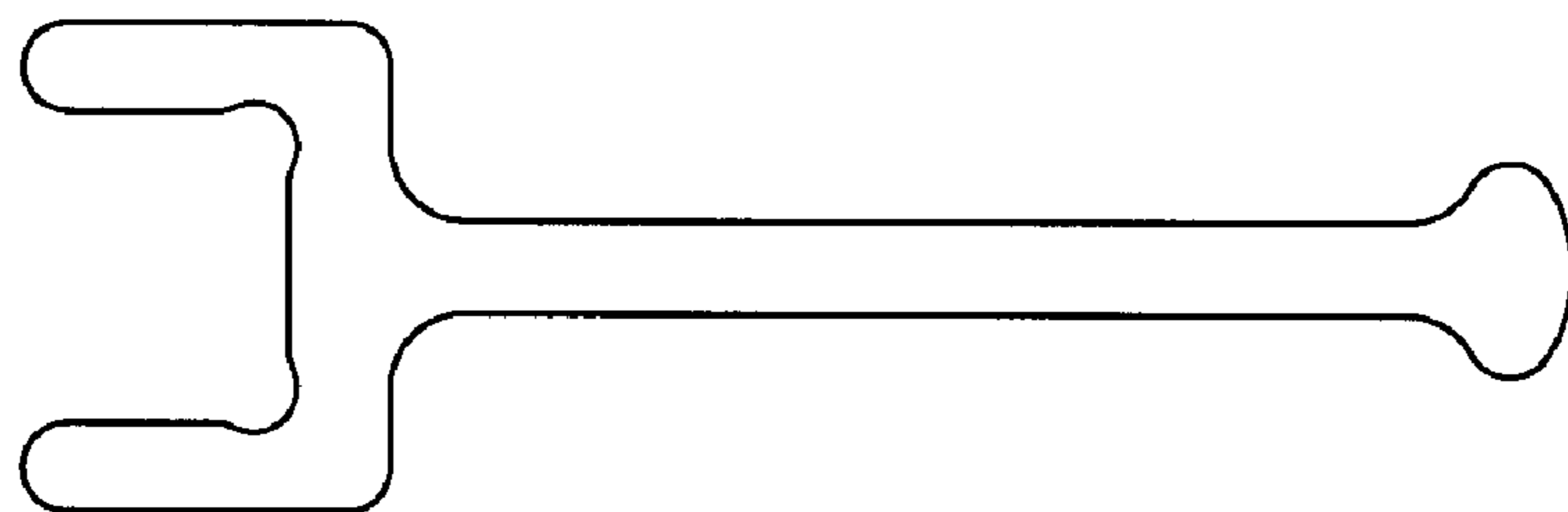


FIG. 2