



US00D527248S

(12) **United States Design Patent**  
**Heindl et al.**

(10) **Patent No.:** **US D527,248 S**

(45) **Date of Patent:** **\*\* Aug. 29, 2006**

(54) **CONNECTING ELEMENT FOR SHEET PILES**

(75) Inventors: **Richard Heindl**, Munich (DE); **Rob R. Wendt**, Rapid City, SD (US)

(73) Assignee: **PilePro, LLC**, Rapid City, SD (US)

(\*\*) Term: **14 Years**

(21) Appl. No.: **29/230,612**

(22) Filed: **May 24, 2005**

(30) **Foreign Application Priority Data**

Nov. 25, 2004 (EM) ..... 00258520

(51) **LOC (8) Cl.** ..... **08-08**

(52) **U.S. Cl.** ..... **D8/382**

(58) **Field of Classification Search** ..... D8/382;  
D25/119; 403/363, 357, 381; 405/70, 278,  
405/279; 24/573.09, 346, 370, 597, 598.5  
See application file for complete search history.

(56) **References Cited**

U.S. PATENT DOCUMENTS

D242,138 S \* 11/1976 Drawsky et al. .... D25/119

6,282,762 B1	*	9/2001	Wall	.....	24/573.09
D471,083 S	*	3/2003	Wall	.....	D8/382
D471,793 S	*	3/2003	Wall	.....	D8/382
D471,794 S	*	3/2003	Wall	.....	D8/382
D472,455 S	*	4/2003	Wall	.....	D8/382
D479,797 S	*	9/2003	Wall	.....	D8/382
D479,798 S	*	9/2003	Wall	.....	D8/382
D479,983 S	*	9/2003	Wall	.....	D8/382

\* cited by examiner

*Primary Examiner*—Holly Baynham

(74) *Attorney, Agent, or Firm*—Milde & Hoffenberg, LLP

(57) **CLAIM**

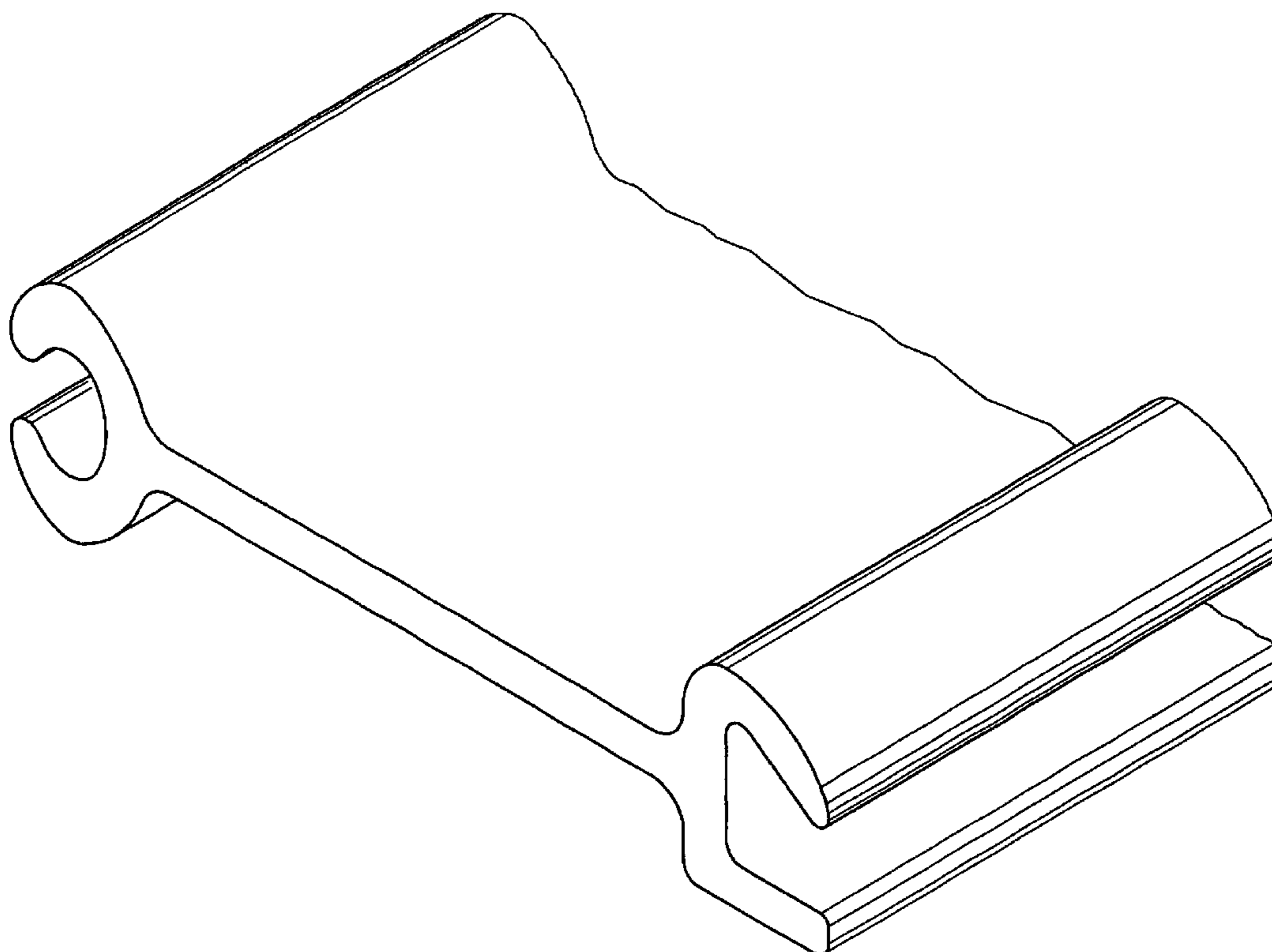
The ornamental design for a connecting element for sheet piles.

**DESCRIPTION**

FIG. 1 is a perspective view of the connecting element for sheet piles according to my design; and,

FIG. 2 is an end view of the connecting element of FIG. 1.

**1 Claim, 2 Drawing Sheets**



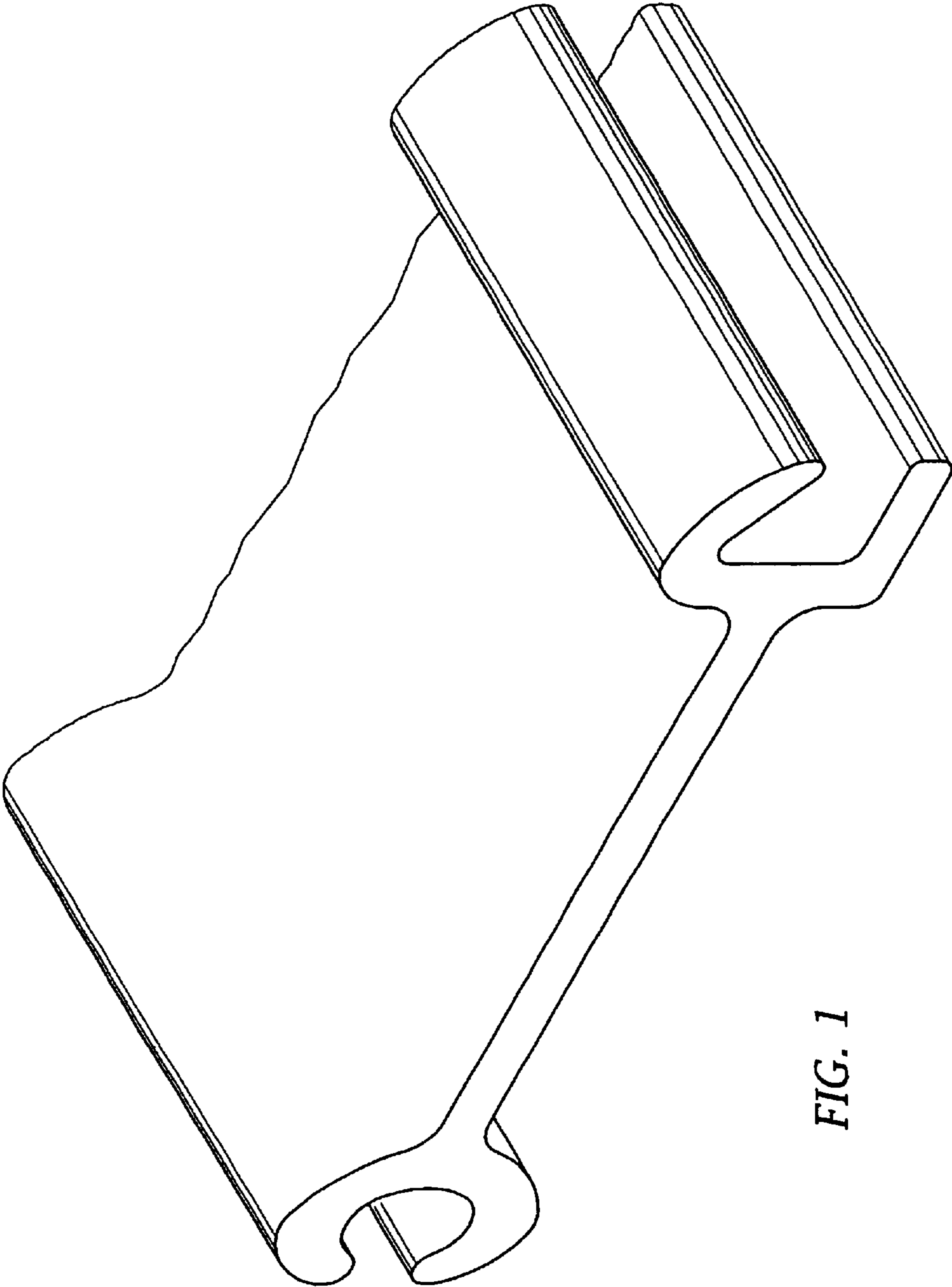


FIG. 1

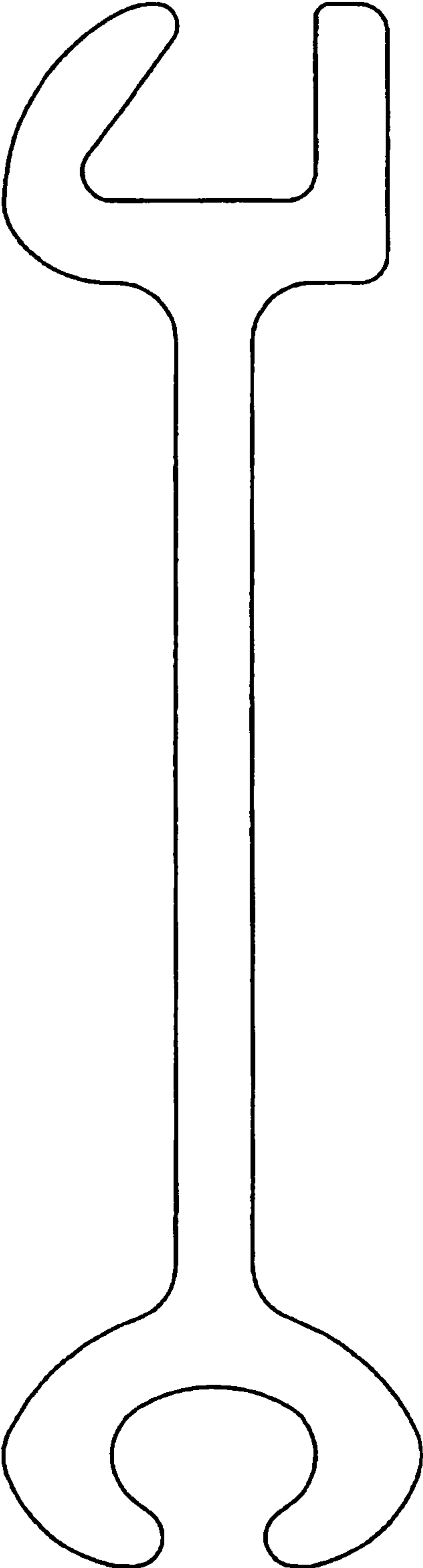


FIG. 2