



US00D527247S

(12) **United States Design Patent**  
**Wolff et al.**

(10) **Patent No.:** **US D527,247 S**

(45) **Date of Patent:** **\*\* Aug. 29, 2006**

(54) **GLASS SHELF MOUNTING BRACKET**

(75) Inventors: **Doug Wolff**, Marshall, MI (US);  
**Nathan Rood**, Burnsville, MN (US);  
**Robert Russell**, Kentwood, MI (US)

(73) Assignee: **Knape & Vogt Manufacturing Co.**,  
Grand Rapids, MI (US)

(\*\*) Term: **14 Years**

(21) Appl. No.: **29/196,188**

(22) Filed: **Dec. 22, 2003**

(Under 37 CFR 1.47)

(51) **LOC (8) Cl.** ..... **08-05**

(52) **U.S. Cl.** ..... **D8/380**

(58) **Field of Classification Search** ..... D8/373,  
D8/380, 381; 248/466, 235, 237, 247, 249,  
248/250

See application file for complete search history.

(56) **References Cited**

**U.S. PATENT DOCUMENTS**

5,384,198 A \* 1/1995 Hodges ..... 248/466

D377,449 S \* 1/1997 Roberts et al. .... D8/381  
D388,694 S \* 1/1998 Cohen ..... D8/381  
D399,728 S \* 10/1998 Cohen ..... D8/381  
D404,285 S \* 1/1999 Skudelny ..... D8/354

\* cited by examiner

*Primary Examiner*—Holly Baynham

(74) *Attorney, Agent, or Firm*—Miller Johnson

(57) **CLAIM**

The ornamental design for a glass shelf mounting bracket, as shown and described.

**DESCRIPTION**

FIG. 1 is a front perspective view of a glass shelf mounting bracket of the present invention;

FIG. 2 is a front elevation view of the bracket of FIG. 1;

FIG. 3 is a back elevation view of the bracket of FIG. 1;

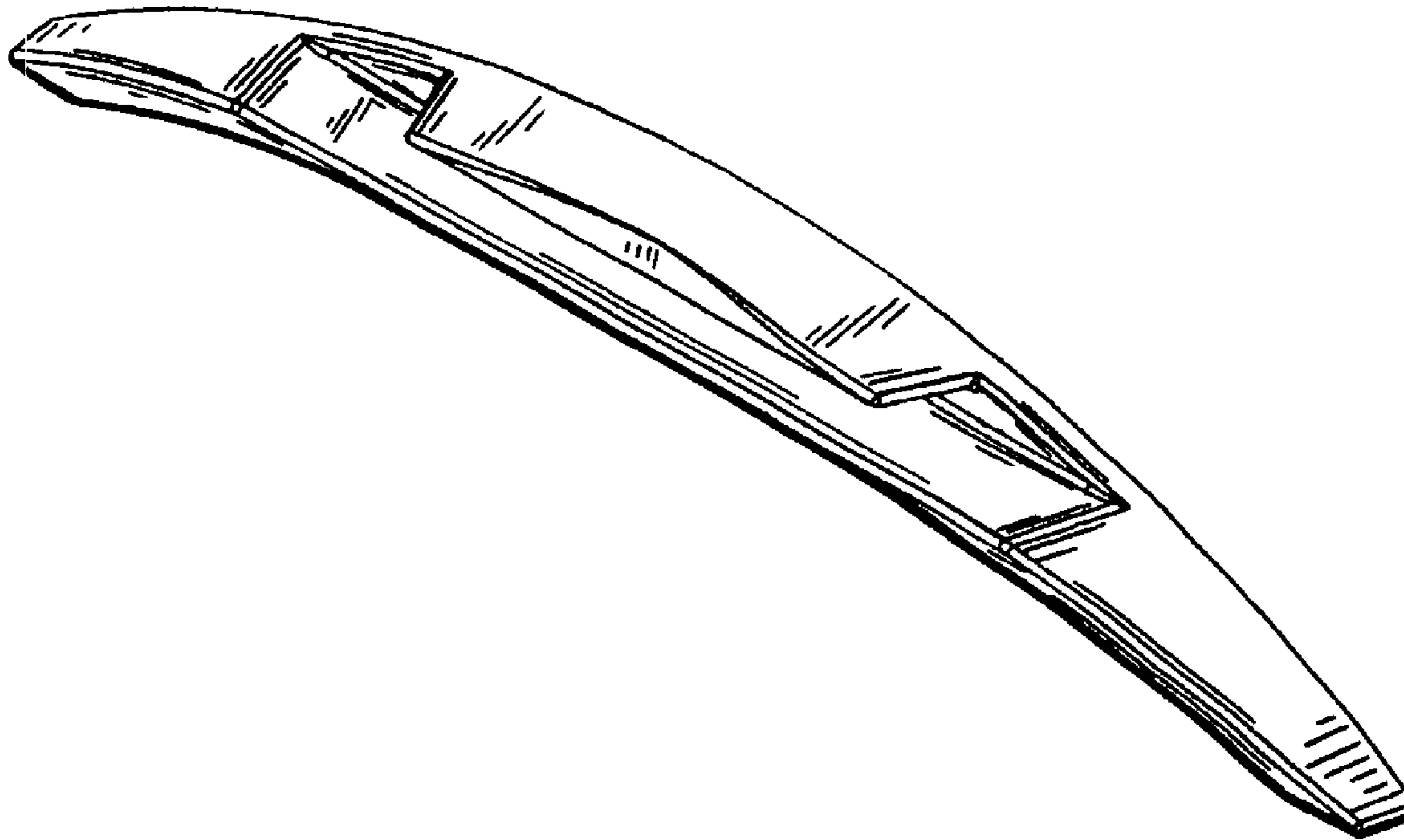
FIG. 4 is a top plan view of the bracket of FIG. 1;

FIG. 5 is a bottom plan view of the bracket of FIG. 1;

FIG. 6 is a left-side elevation view of the bracket of FIG. 1; and,

FIG. 7 is a right side elevation view of the bracket of FIG. 1.

**1 Claim, 2 Drawing Sheets**



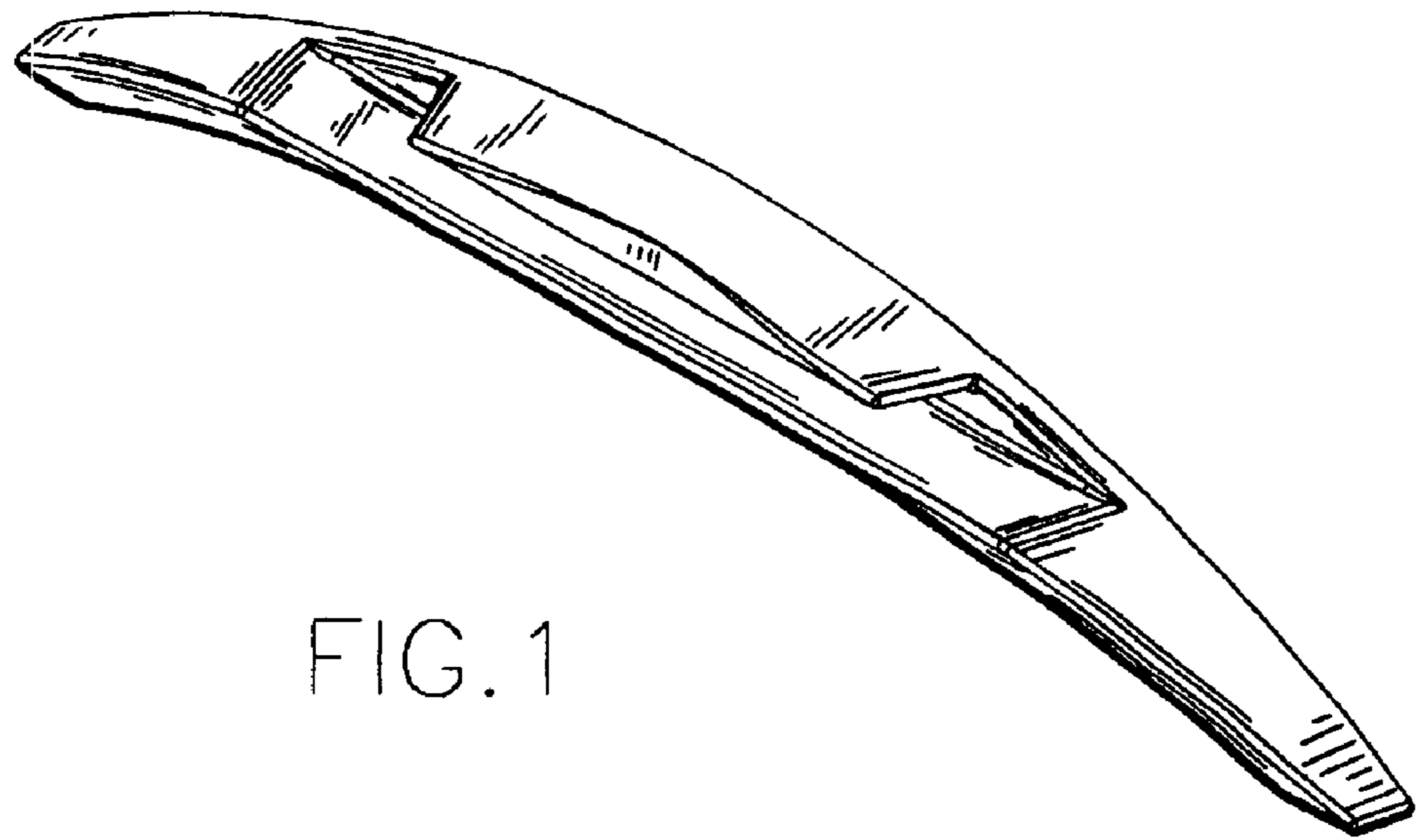


FIG. 1

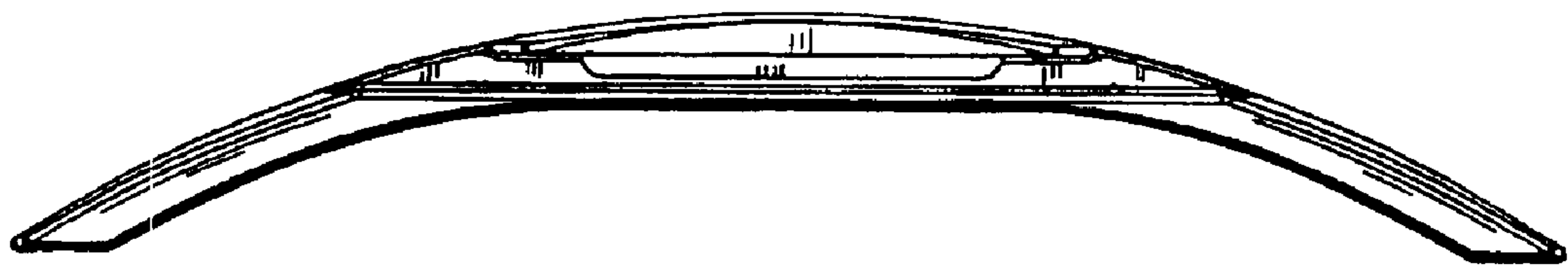


FIG. 2

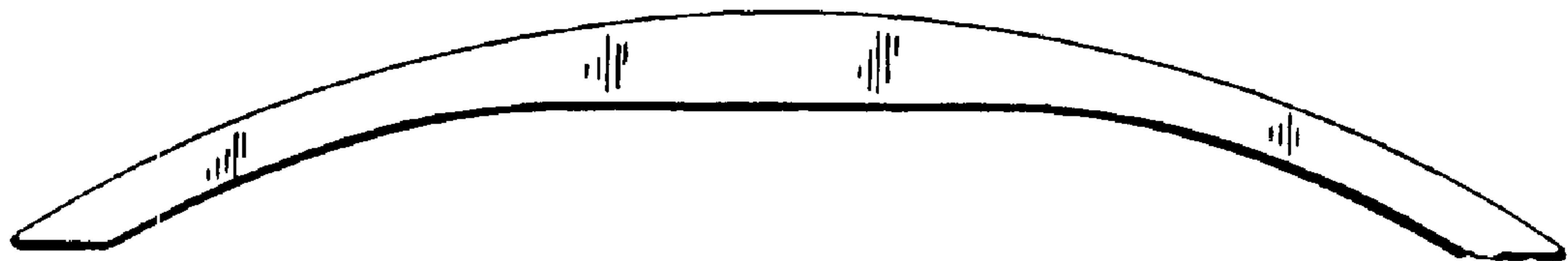


FIG. 3



FIG. 4



FIG. 5

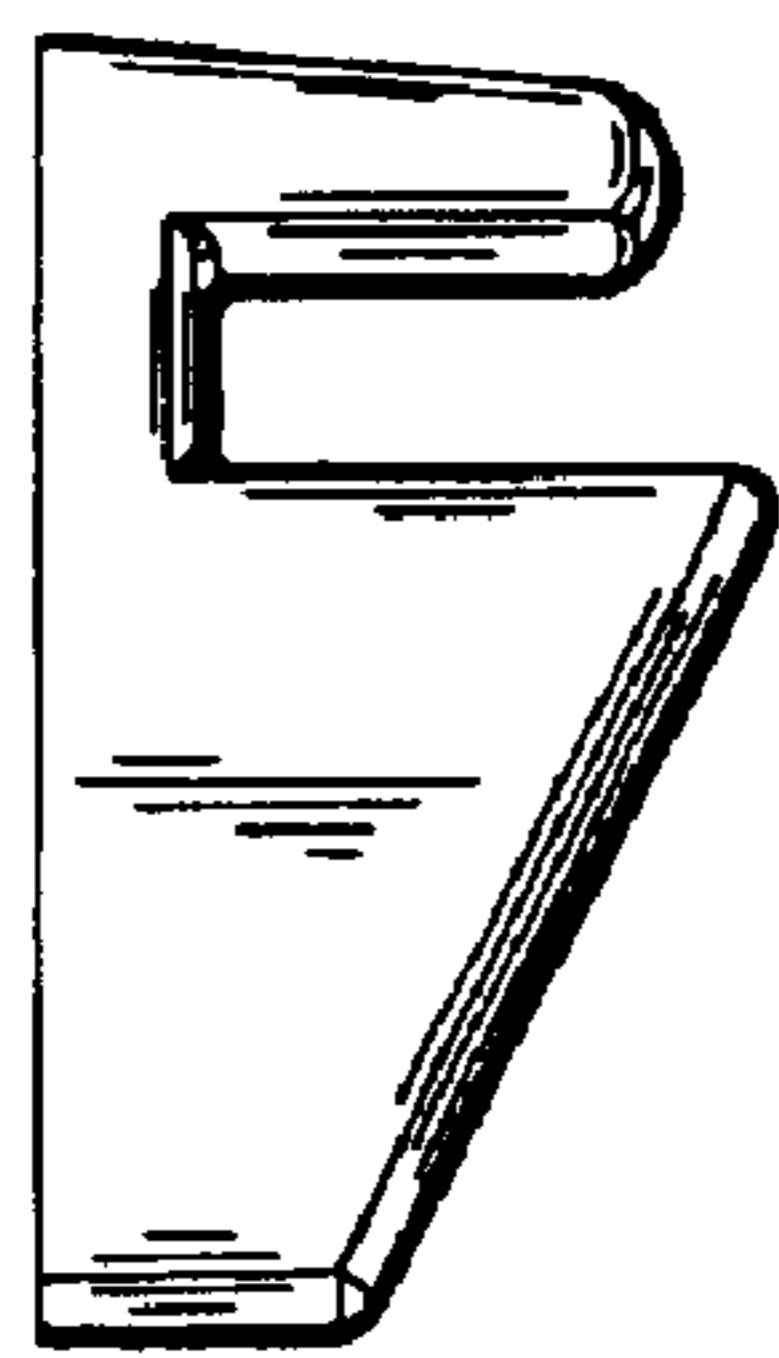


FIG. 6

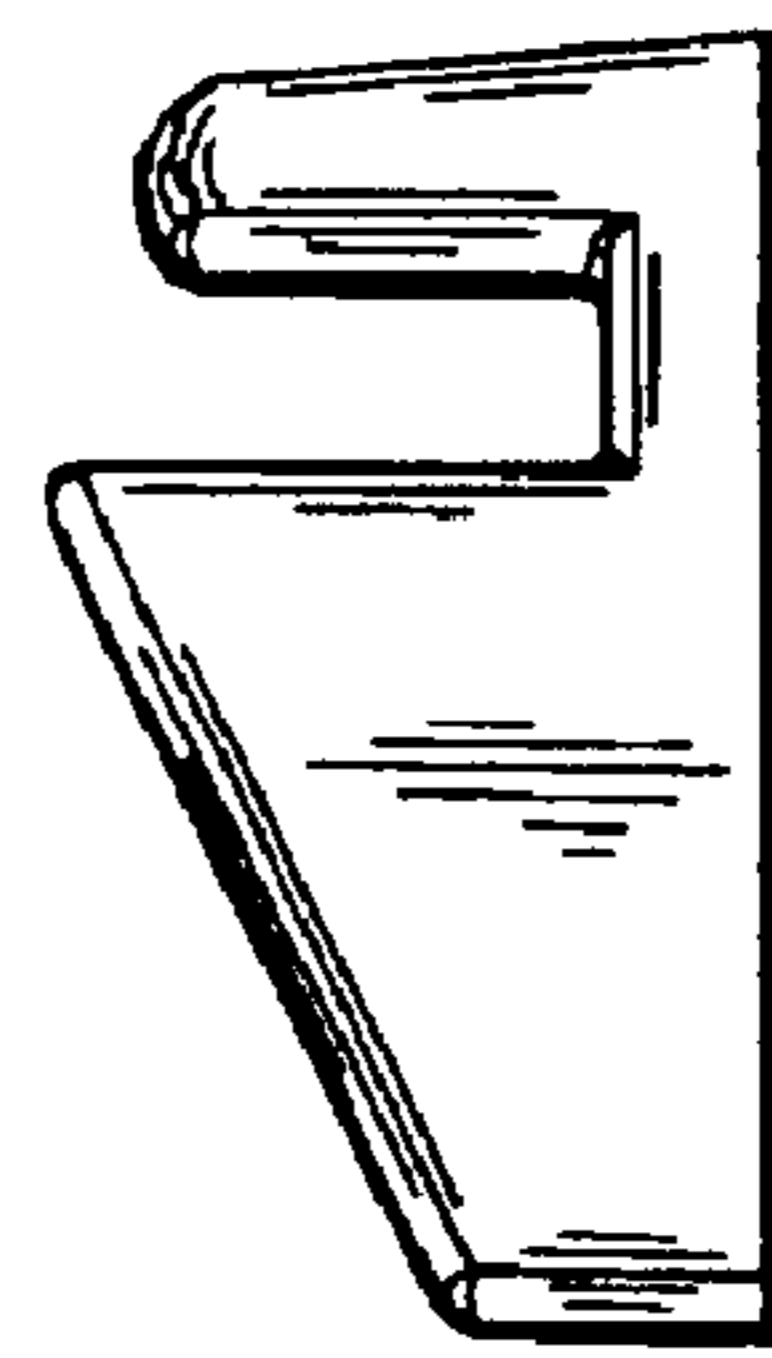


FIG. 7