

US00D527246S

(12) **United States Design Patent**
Clucas

(10) **Patent No.:** **US D527,246 S**

(45) **Date of Patent:** **** Aug. 29, 2006**

(54) **CURTAIN RING**

(75) Inventor: **Michael Clucas**, Newark, DE (US)

(73) Assignee: **Zenith Products Corp.**, New Castle, DE (US)

(**) Term: **14 Years**

(21) Appl. No.: **29/194,574**

(22) Filed: **Nov. 26, 2003**

(51) **LOC (8) Cl.** **08-05**

(52) **U.S. Cl.** **D8/370**

(58) **Field of Classification Search** D8/367,
D8/370, 373; D6/580; 248/301, 304

See application file for complete search history.

(56) **References Cited**

U.S. PATENT DOCUMENTS

2,011,662 A	8/1935	Thompson
4,117,557 A	10/1978	McPeak et al.
4,385,409 A	5/1983	File et al.
D350,279 S	9/1994	Tate

D404,639 S	1/1999	Samelson	
D438,746 S	*	3/2001	Barker et al. D6/580
D439,144 S		3/2001	Ho
D442,074 S	*	5/2001	Harvey D8/368
D457,807 S	*	5/2002	Vanderbilt D8/368

* cited by examiner

Primary Examiner—Holly Baynham

(74) *Attorney, Agent, or Firm*—Akin Gump Strauss Hauer & Feld, LLP

(57) **CLAIM**

The ornamental design for a curtain ring, as shown and described.

DESCRIPTION

FIG. 1 is a perspective view of a curtain ring showing my new design;

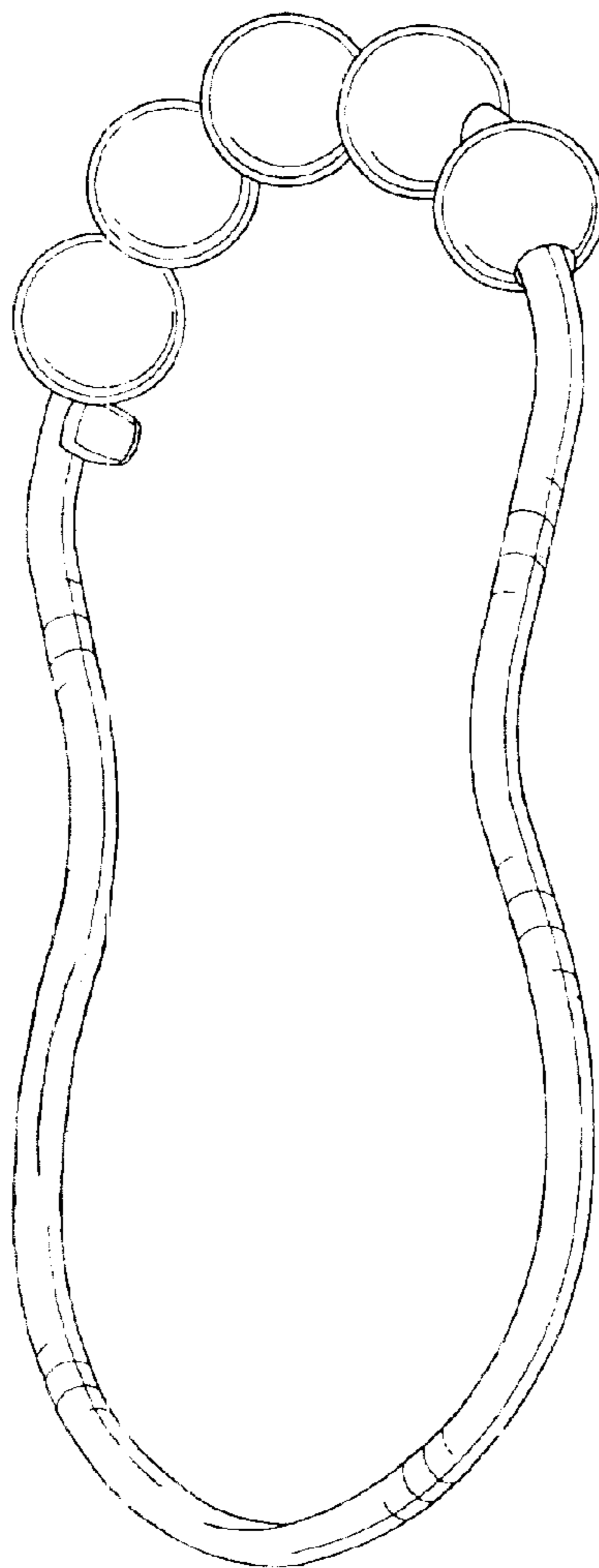
FIG. 2 is a front side view thereof;

FIG. 3 is a second side view thereof;

FIG. 4 is a top plan view thereof; and,

FIG. 5 is a front elevational view thereof.

1 Claim, 2 Drawing Sheets



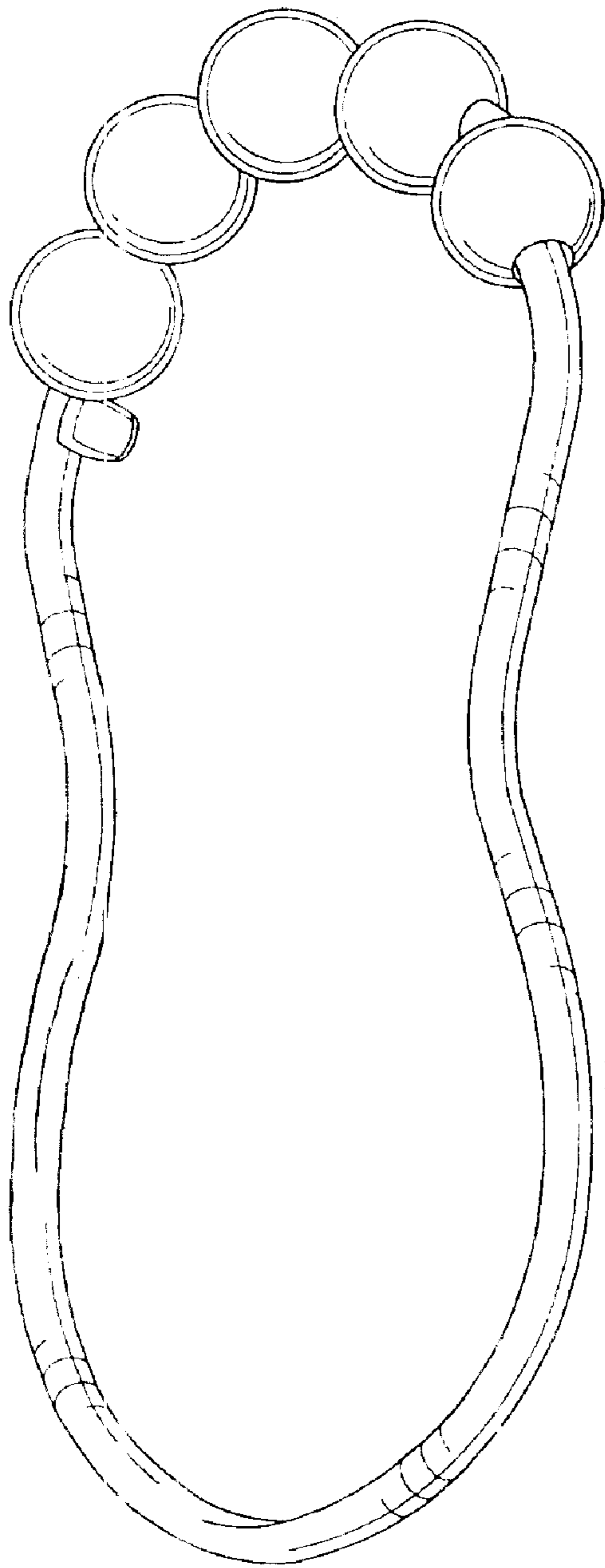


Fig-1

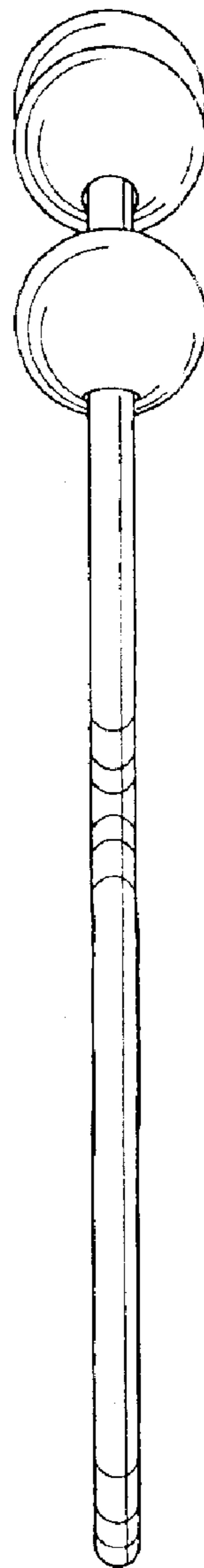


Fig-2

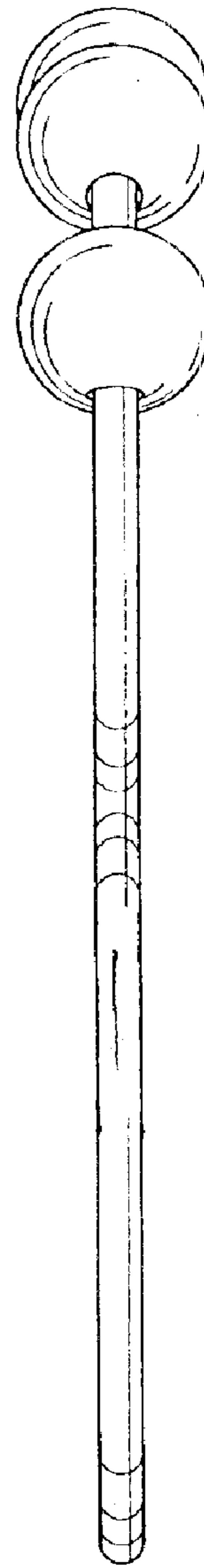


Fig-3

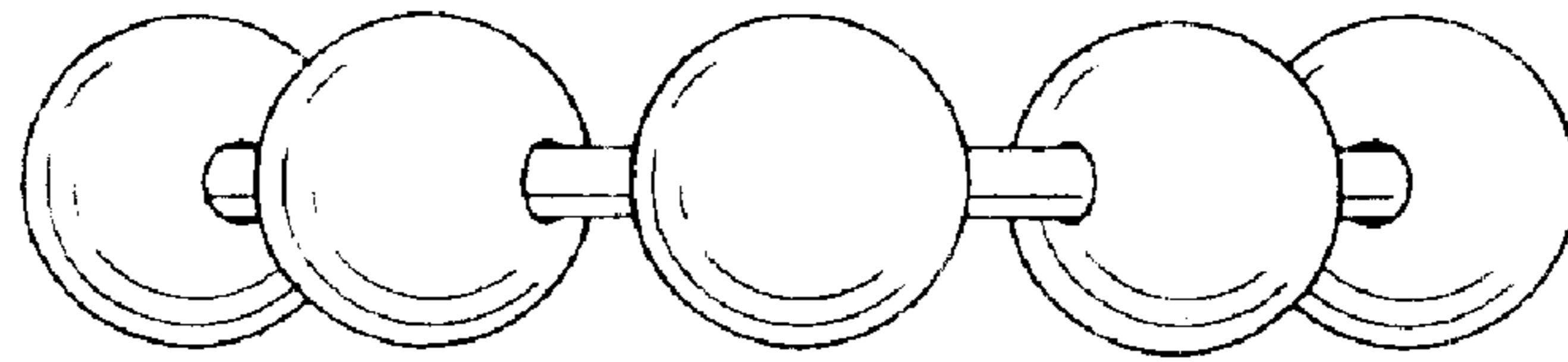


Fig-4

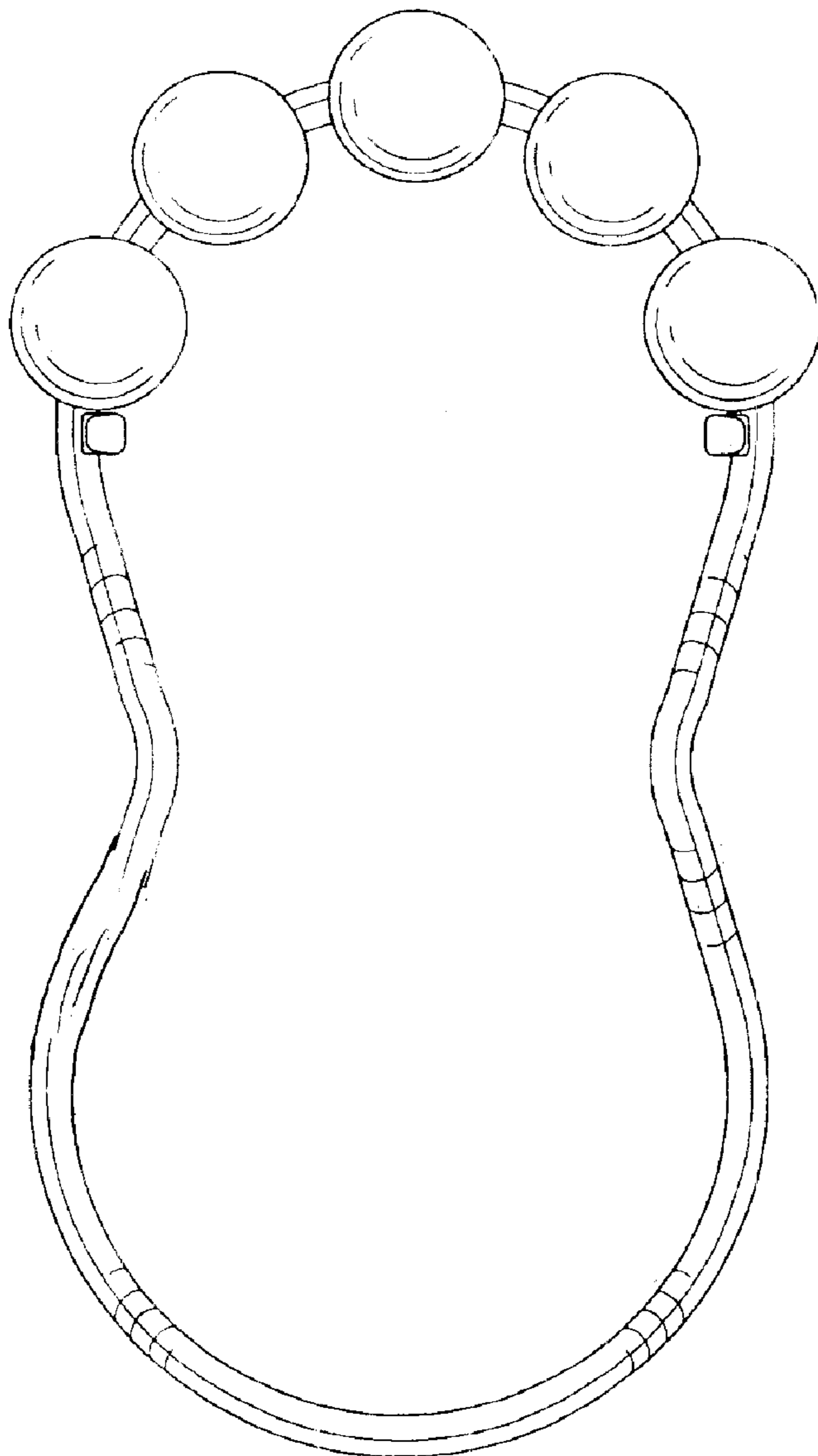


Fig-5